



US00D834568S

(12) **United States Design Patent** (10) **Patent No.:** **US D834,568 S**
Pooley (45) **Date of Patent:** **** Nov. 27, 2018**

(54) **MICROPHONE CLIP** 2,776,462 A * 1/1957 Burroughs H04R 1/08
248/122.1
(71) Applicant: **Mic Gripz, LLC**, Farmington Hills, MI D305,026 S * 12/1989 Wolf D14/229
(US) D506,385 S * 6/2005 Brown D8/394
D563,396 S * 3/2008 Probst D14/228
(72) Inventor: **Donald Bruce Pooley**, Farmington D618,222 S * 6/2010 Kallas D14/229
Hills, MI (US) D672,004 S * 12/2012 Stracener D22/108
D732,009 S * 6/2015 Bak D14/229
D739,853 S * 9/2015 Lee D14/253
(73) Assignee: **Mic Gripz, LLC**, Farmington Hills, MI D765,647 S * 9/2016 Lee D14/253
(US) 9,909,749 B2 * 3/2018 Barnas F21V 23/0435
D815,192 S * 4/2018 Kulcsar D17/22

(**) Term: **15 Years**

* cited by examiner

(21) Appl. No.: **29/626,100**

Primary Examiner — Katie Jane Stofko

(22) Filed: **Nov. 15, 2017**

(74) *Attorney, Agent, or Firm* — Hansen IP Law PLLC

(51) **LOC (11) Cl.** **14-01**

(52) **U.S. Cl.**

USPC **D14/229**

(58) **Field of Classification Search**

USPC D14/224–229, 217, 234; D16/208, 248;
D8/355, 394–396; D17/22, 99; D21/513;
181/158, 242; 381/26, 122, 355, 356,
381/361, 365, 366, 368, 369; 455/575.1,
455/90.3; 403/188; 248/73, 122.1
CPC ... F16B 2/22; F16B 7/0433; F16L 3/13; F16L
3/237; H02G 3/32; H04R 1/08; H04R
1/083; F16F 1/46; F16M 11/041; H01F
7/0252

See application file for complete search history.

(56) **References Cited**

U.S. PATENT DOCUMENTS

1,688,148 A * 10/1928 Martin B60Q 7/00
211/86.01
2,434,440 A * 1/1948 Schafranck F21L 15/08
248/106

(57) **CLAIM**

The ornamental design for a microphone clip, as shown and described.

DESCRIPTION

FIG. 1 is a perspective view of a microphone clip showing my new design;
FIG. 2 is a front elevational view thereof;
FIG. 3 is a rear elevational view thereof;
FIG. 4 is a left side elevation view thereof;
FIG. 5 is a top plan view thereof;
FIG. 6 is a bottom plan view thereof; and,
FIG. 7 is a right side elevation view thereof.

1 Claim, 2 Drawing Sheets

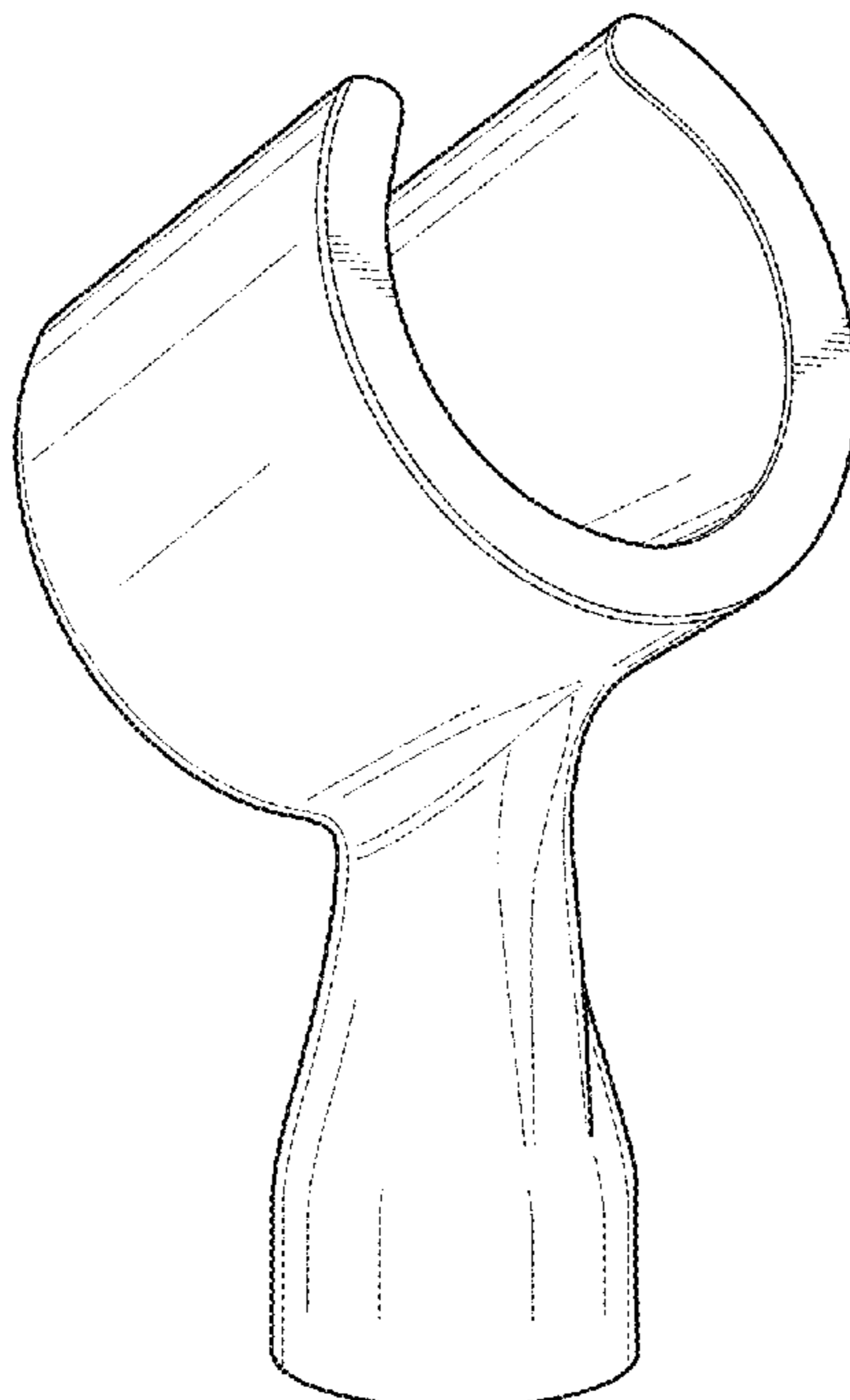


FIG. 1

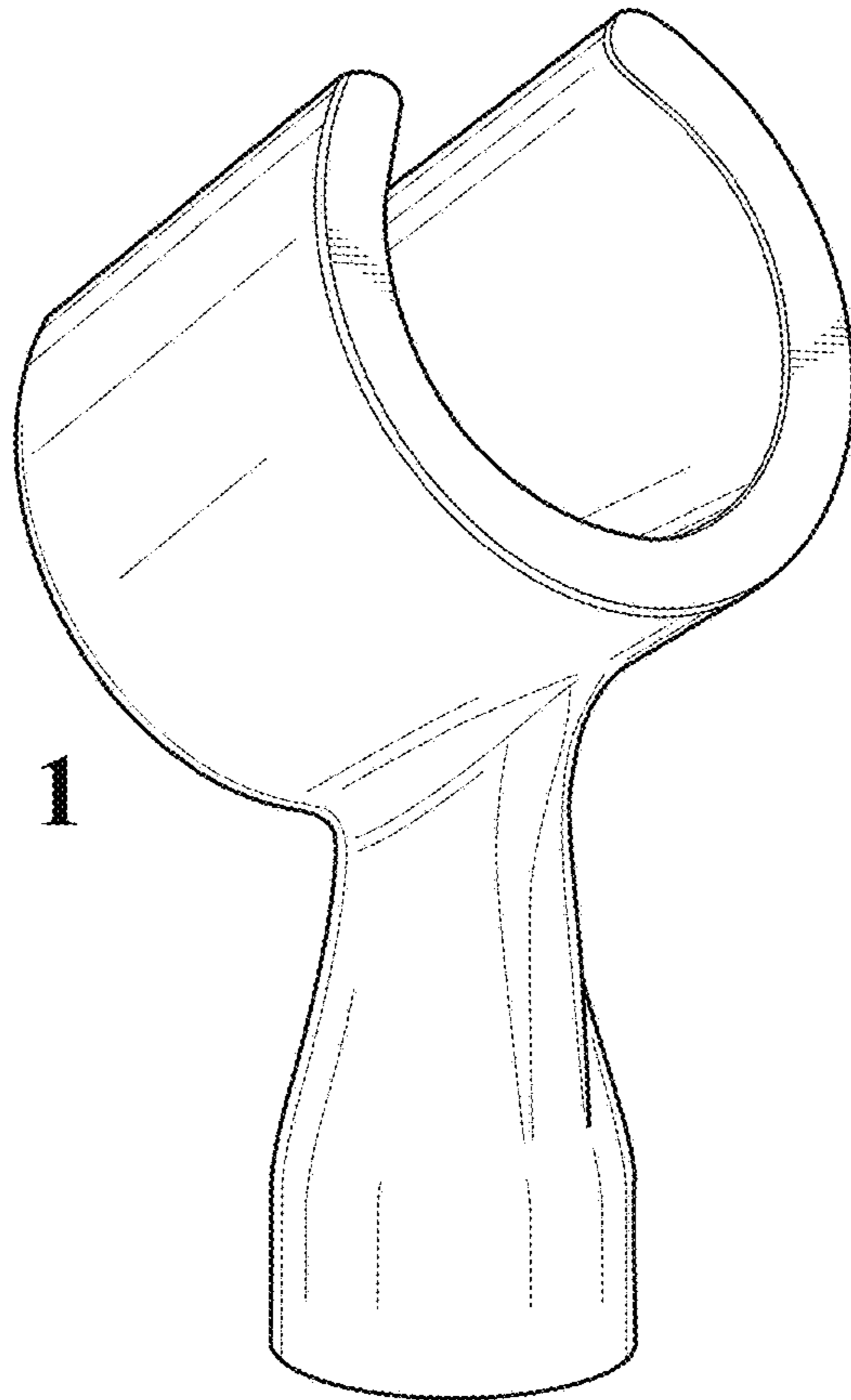


FIG. 2

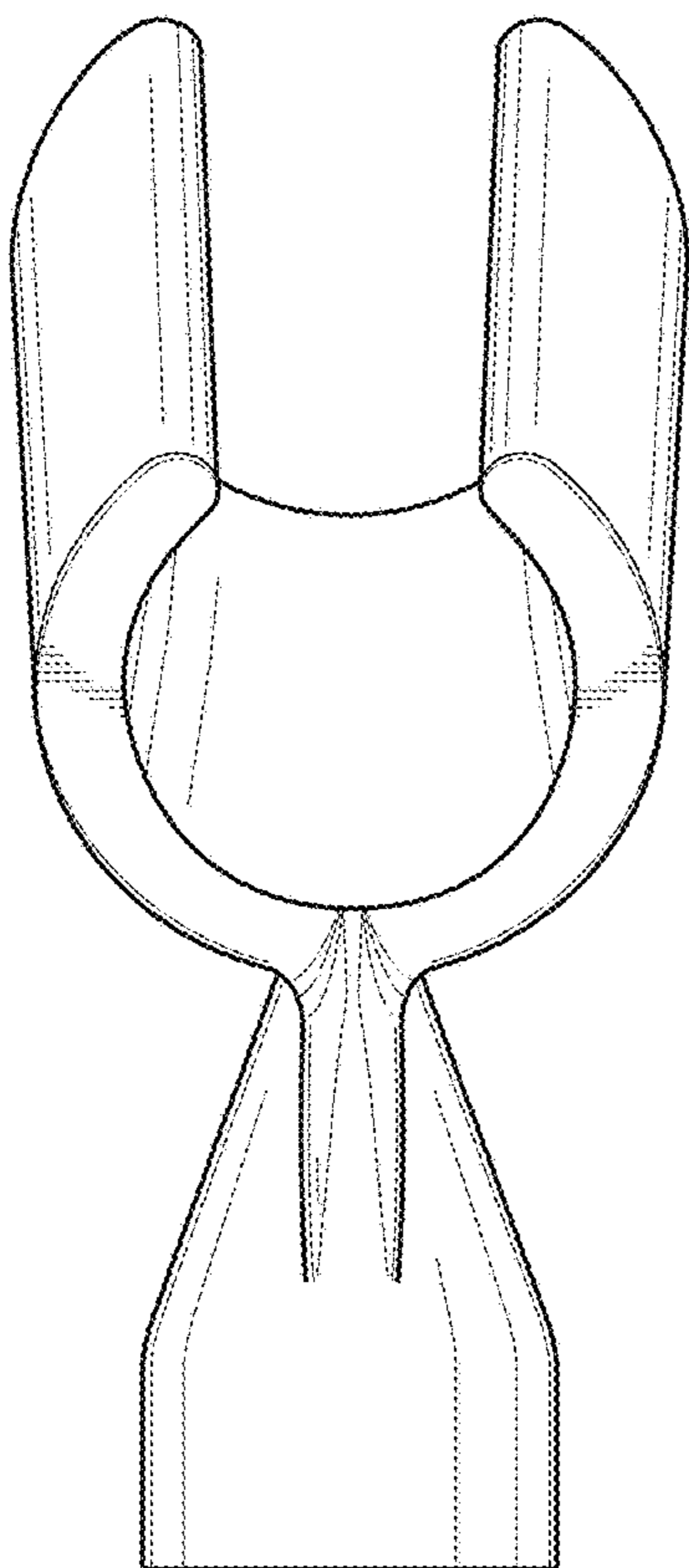


FIG. 3

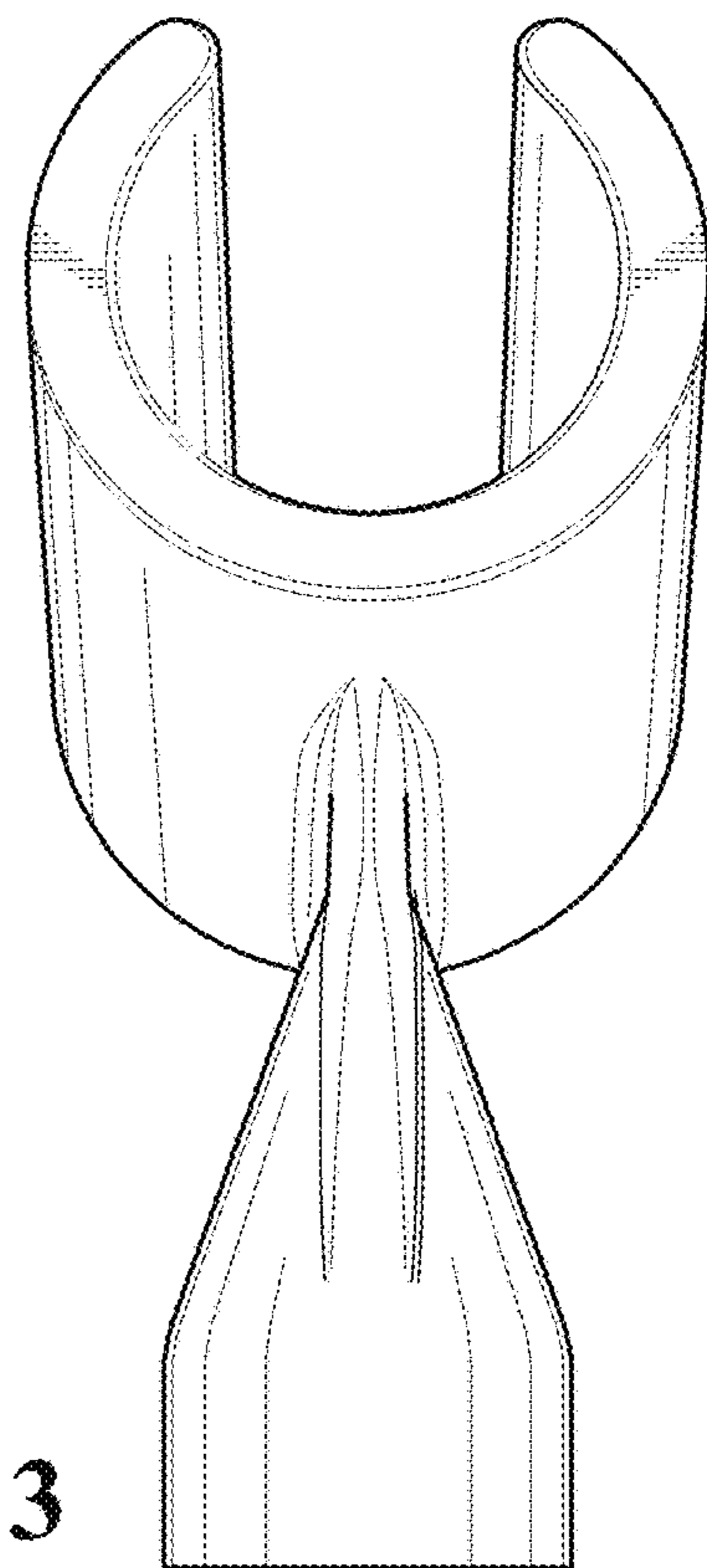


FIG. 4

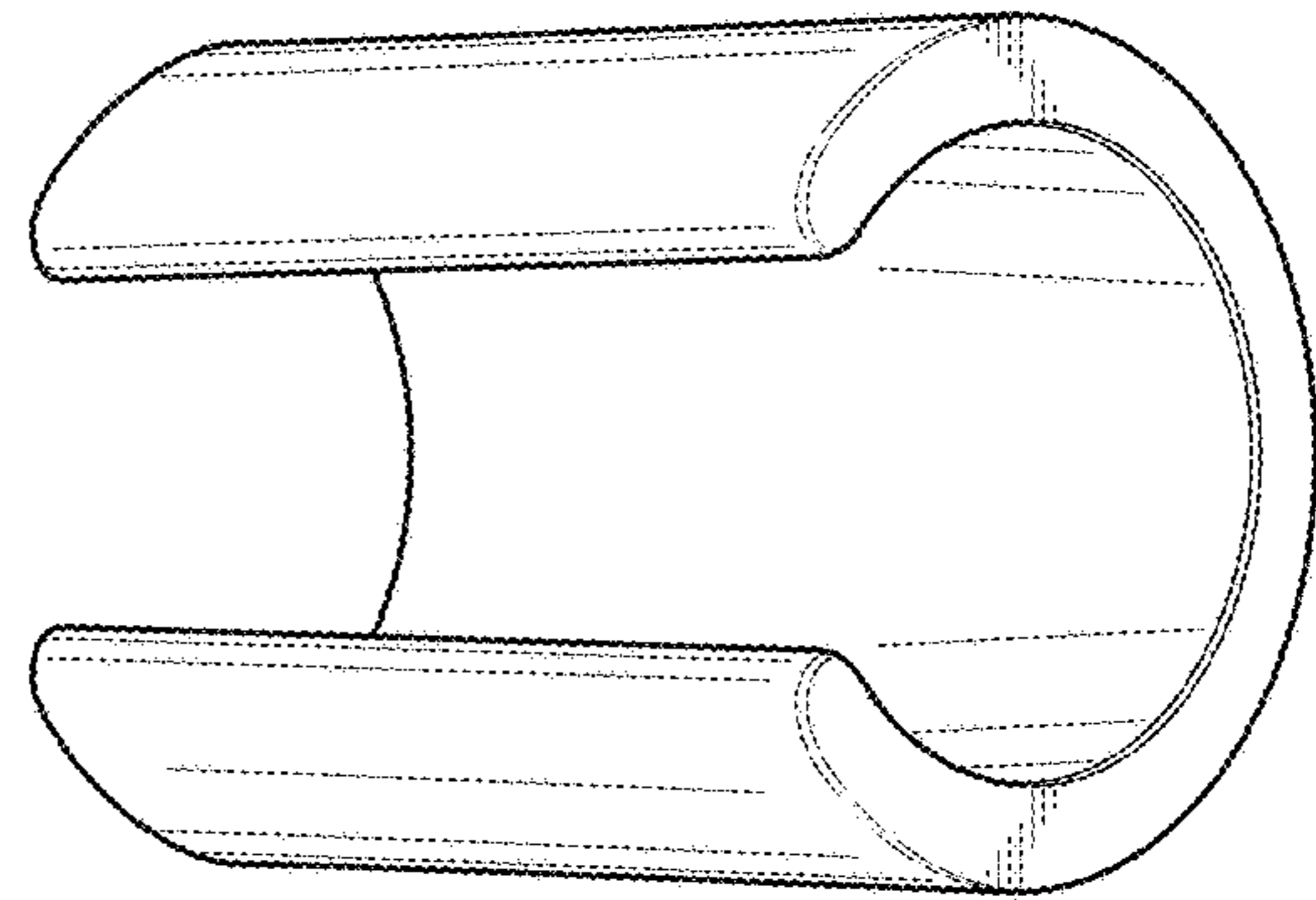
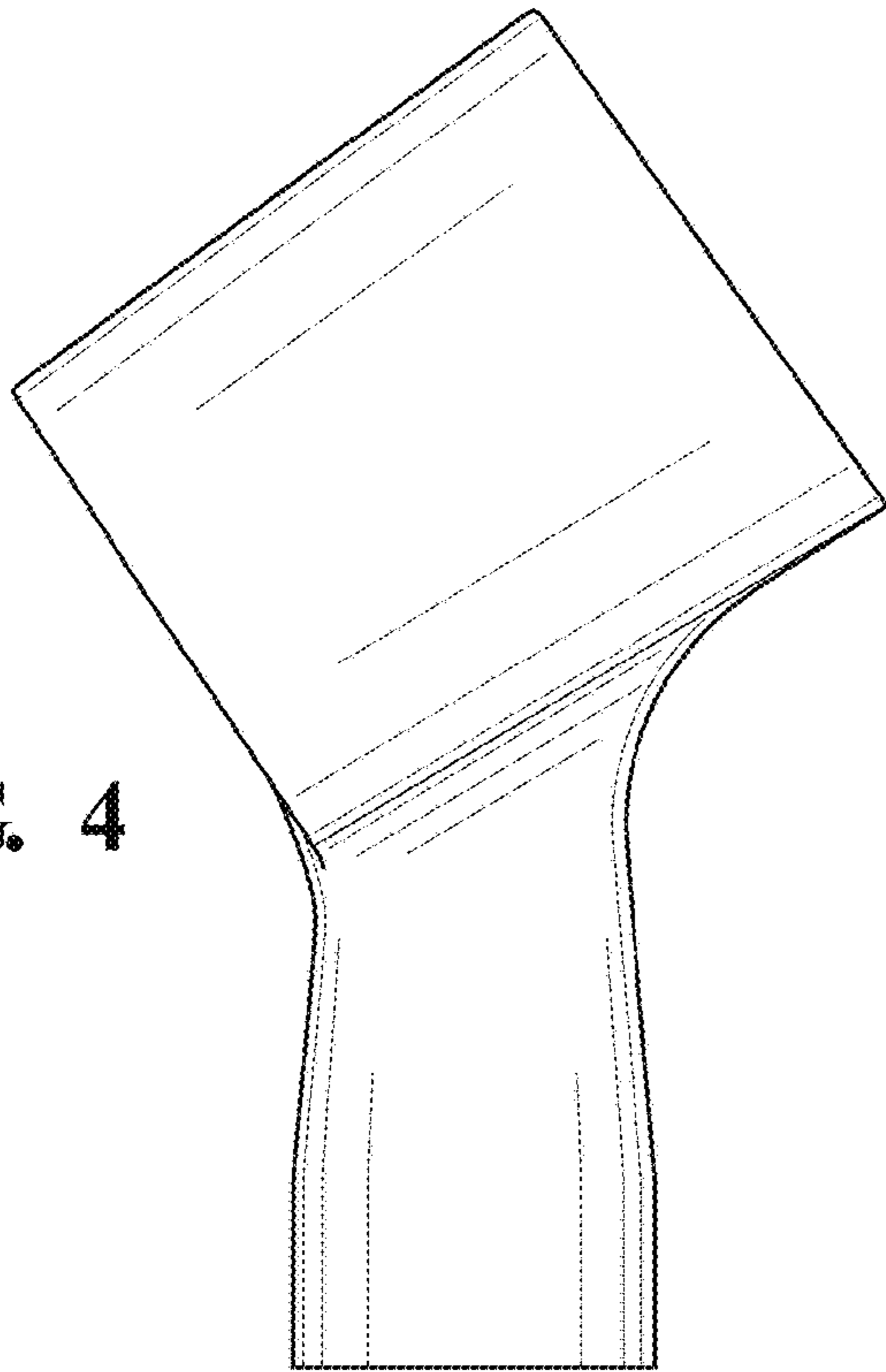


FIG. 5

FIG. 6

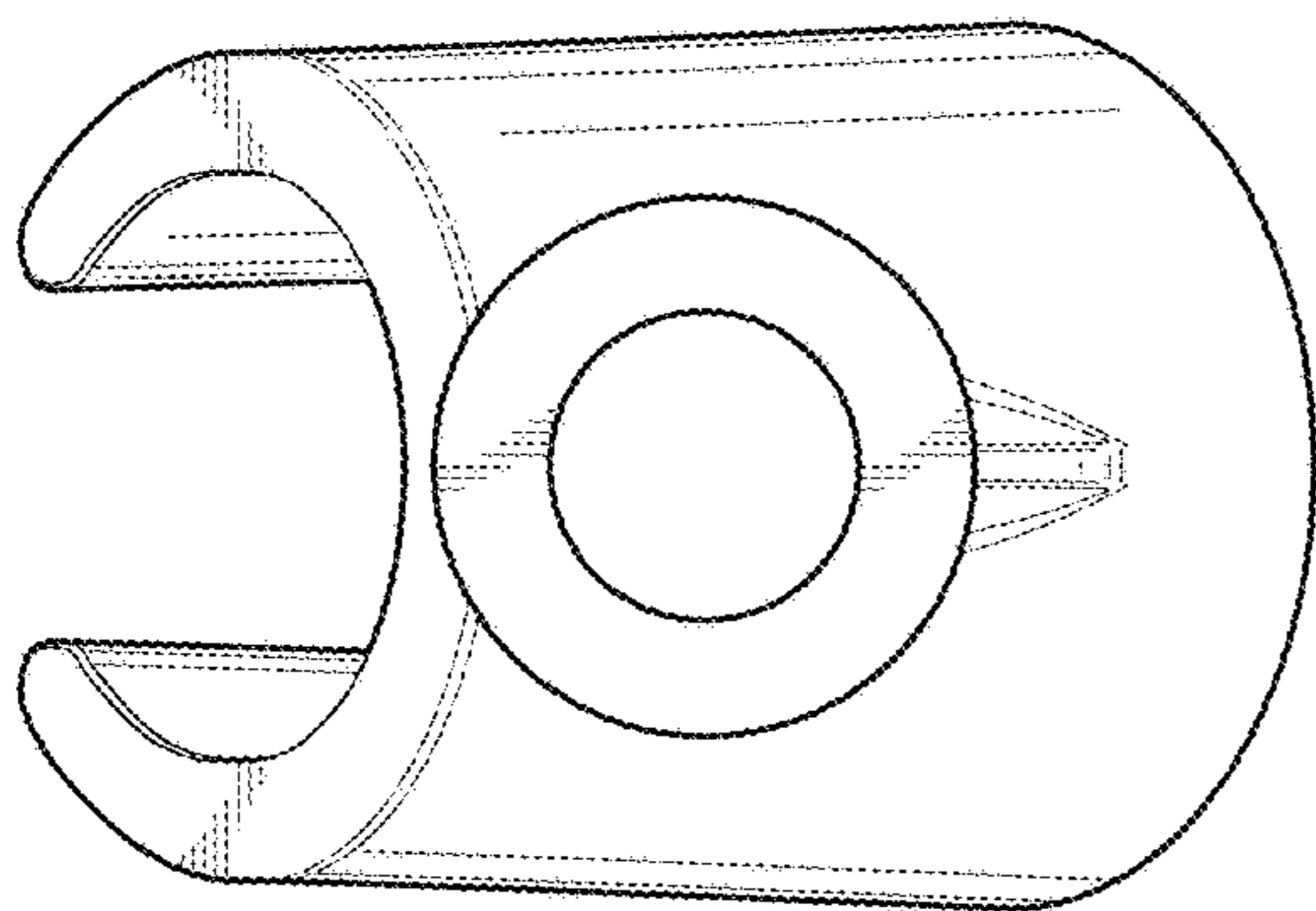


FIG. 7

