



US00D834567S

(12) **United States Design Patent**  
**Snyder et al.**

(10) **Patent No.:** **US D834,567 S**

(45) **Date of Patent:** **\*\* Nov. 27, 2018**

(54) **MICROPHONE**

(71) Applicant: **Cisco Technology, Inc.**, San Jose, CA (US)

(72) Inventors: **Ian Matthew Snyder**, San Francisco, CA (US); **Matthew M. U. Cho**, Fremont, CA (US); **Morgan Davis Teachworth**, Campbell, CA (US); **Nicholas James Kaoru Kawamoto**, Novato, CA (US)

(73) Assignee: **CISCO TECHNOLOGY, INC.**, San Jose, CA (US)

(\*\*) Term: **15 Years**

(21) Appl. No.: **29/611,678**

(22) Filed: **Jul. 24, 2017**

(51) **LOC (11) Cl.** ..... **14-01**

(52) **U.S. Cl.**  
USPC ..... **D14/228**

(58) **Field of Classification Search**  
USPC ..... D14/224–229, 115, 167, 238, 243, 249, D14/497; D16/244; D17/99; D6/681; 248/125.1, 166, 185.1; 381/355, 359, 381/361–363, 365, 366, 369, 375; 379/428.01, 428.04, 431, 433.03  
CPC . H04R 25/00; H04R 1/02; H04R 5/02; H04R 9/08; F16M 11/38; F16M 13/00; F16M 11/00

See application file for complete search history.

(56) **References Cited**

**U.S. PATENT DOCUMENTS**

D391,943 S \* 3/1998 Han ..... D14/356  
D584,295 S \* 1/2009 Kellar ..... D14/228

D596,622 S \* 7/2009 Lee ..... D14/218  
D656,130 S \* 3/2012 Bailey ..... D14/227  
D671,528 S \* 11/2012 Fathollahi ..... D14/211  
D743,383 S \* 11/2015 Hinokio ..... D14/225  
D749,666 S \* 2/2016 Ahdoot ..... D14/218  
D768,114 S \* 10/2016 Hou ..... D13/168  
D784,963 S \* 4/2017 Saule ..... D14/228  
9,793,869 B1 \* 10/2017 Snyder ..... G01D 5/3473  
2013/0028457 A1 \* 1/2013 Yeh ..... H04R 1/10  
381/334  
2013/0177191 A1 \* 7/2013 Waguri ..... H04R 5/027  
381/356  
2013/0292481 A1 \* 11/2013 Filson ..... G05D 23/1902  
236/1 C

\* cited by examiner

*Primary Examiner* — Katie Jane Stofko

(74) *Attorney, Agent, or Firm* — Polsinelli PC

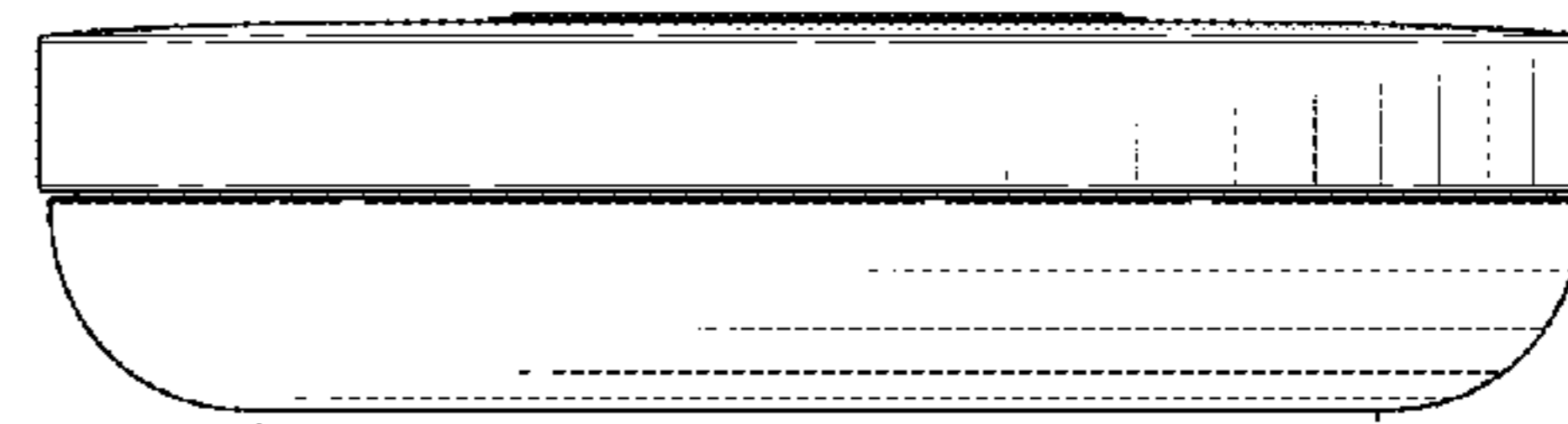
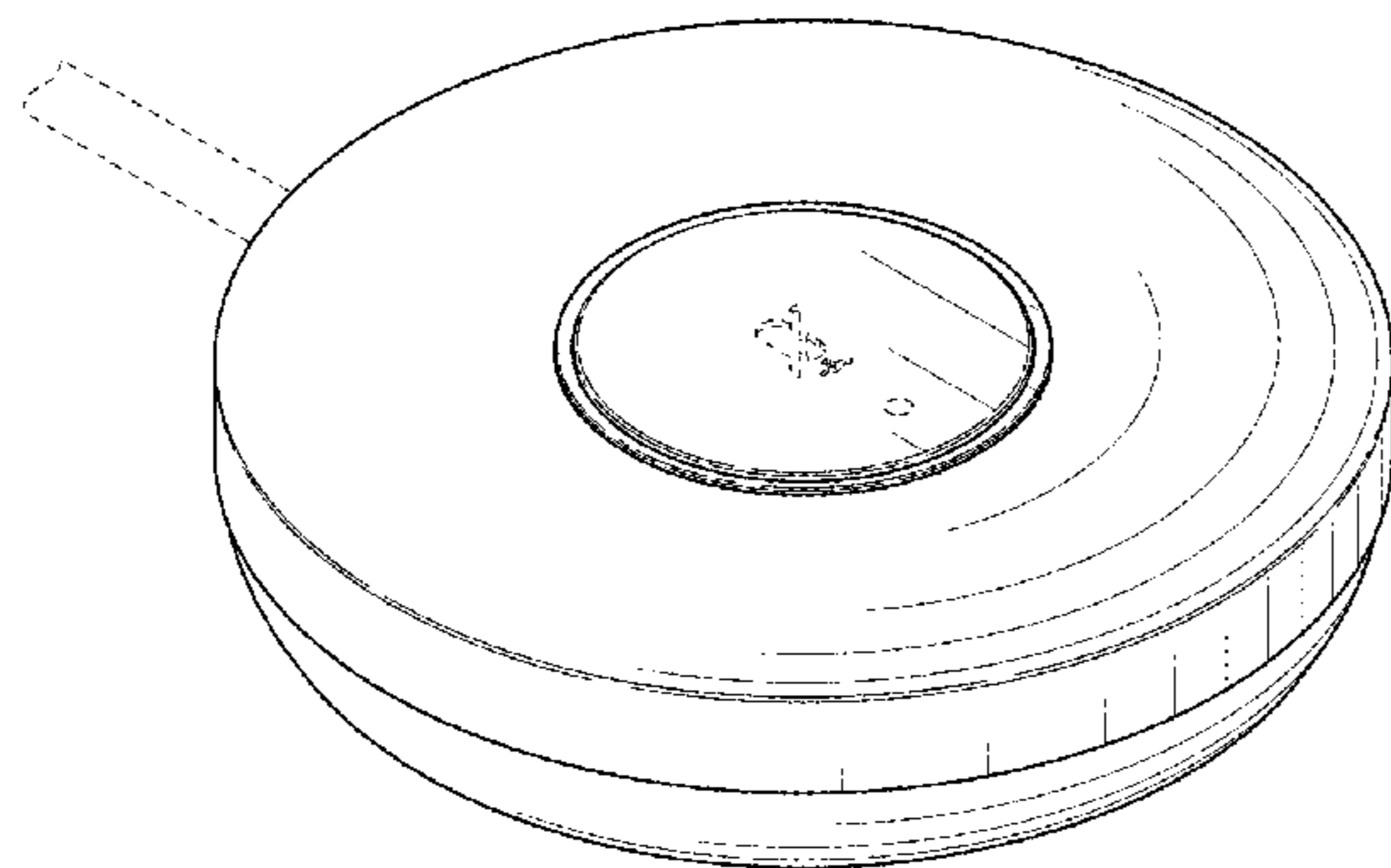
(57) **CLAIM**

We claim the ornamental design for a microphone, as shown and described.

**DESCRIPTION**

FIG. 1 is a perspective view of a microphone, showing our new design;  
FIG. 2 is a front elevational view thereof;  
FIG. 3 is a rear elevational view thereof;  
FIG. 4 is a left side elevational view thereof;  
FIG. 5 is a right side elevational view thereof;  
FIG. 6 is a top plan view thereof; and,  
FIG. 7 is a bottom plan view thereof.  
Broken lines are for illustrating unclaimed portions of the microphone; the broken lines form no part of the claimed design.

**1 Claim, 3 Drawing Sheets**



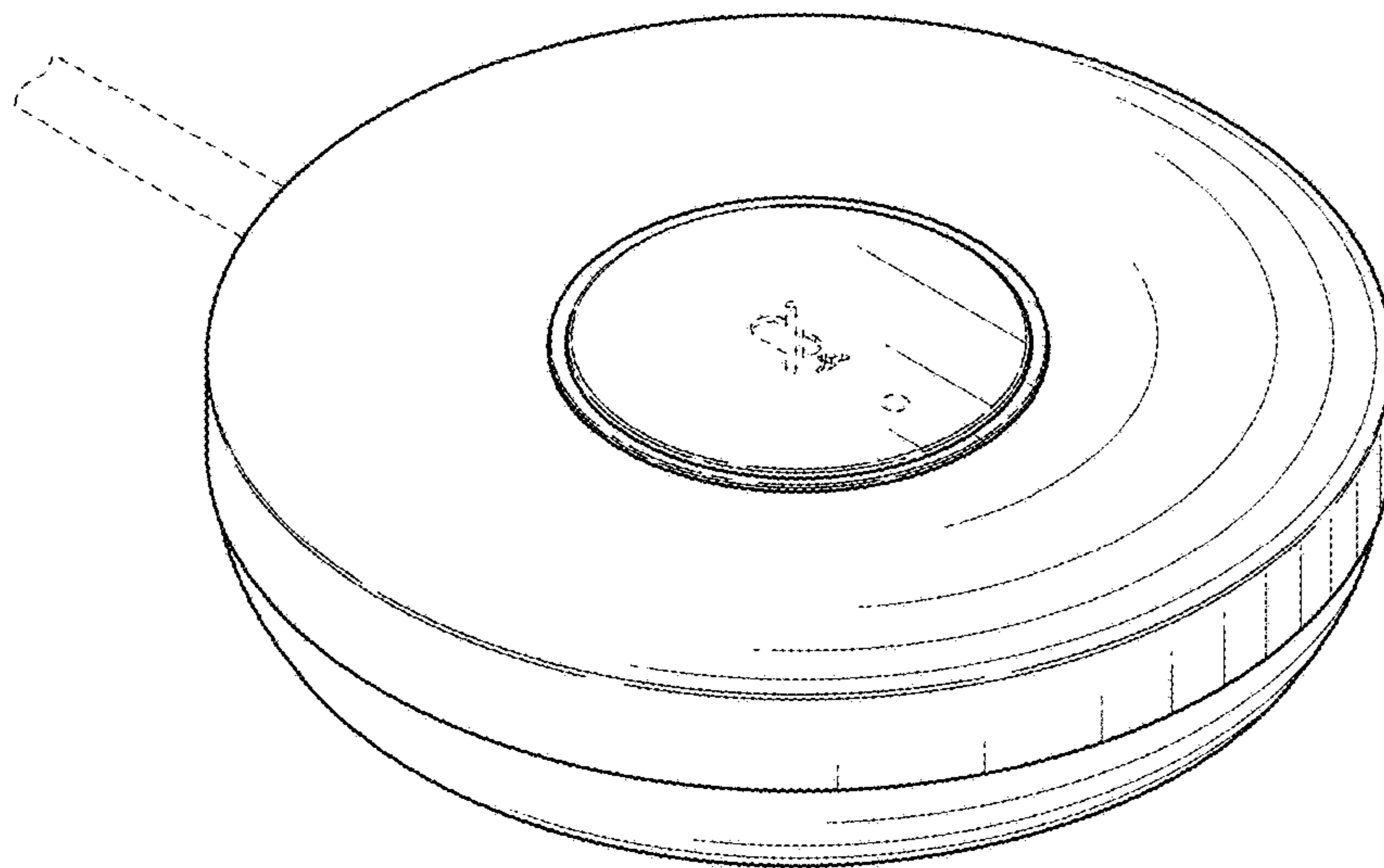


FIG. 1

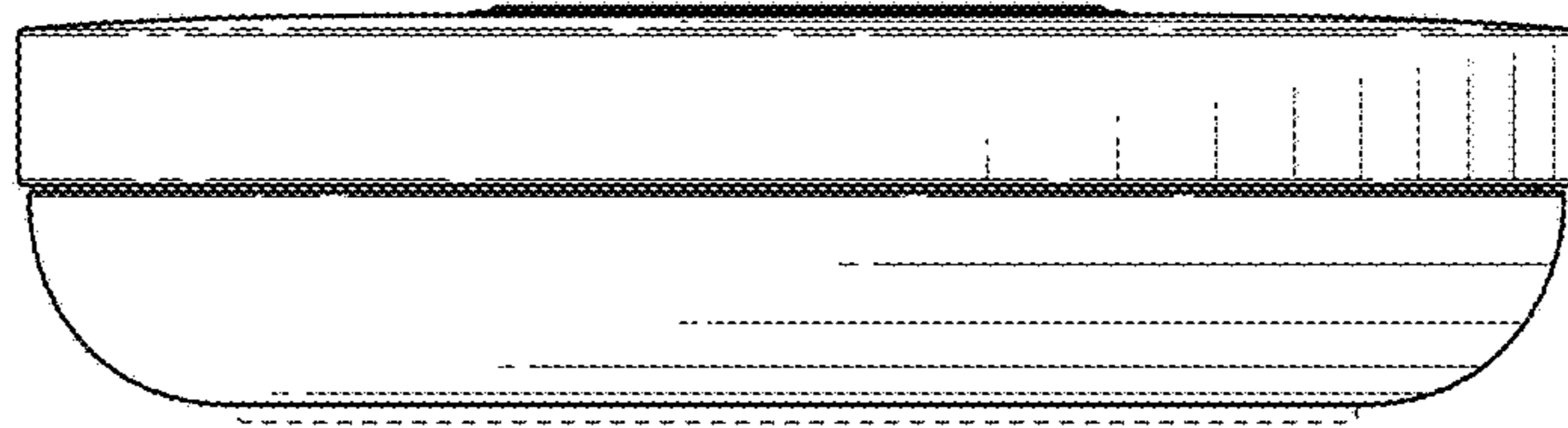


FIG. 2

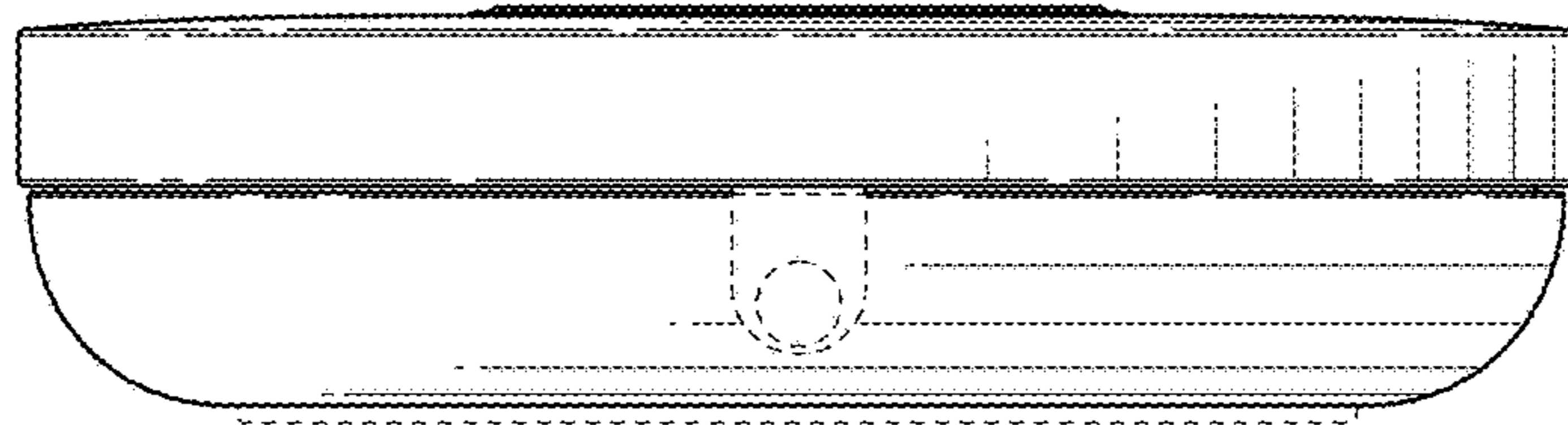


FIG. 3



FIG. 4

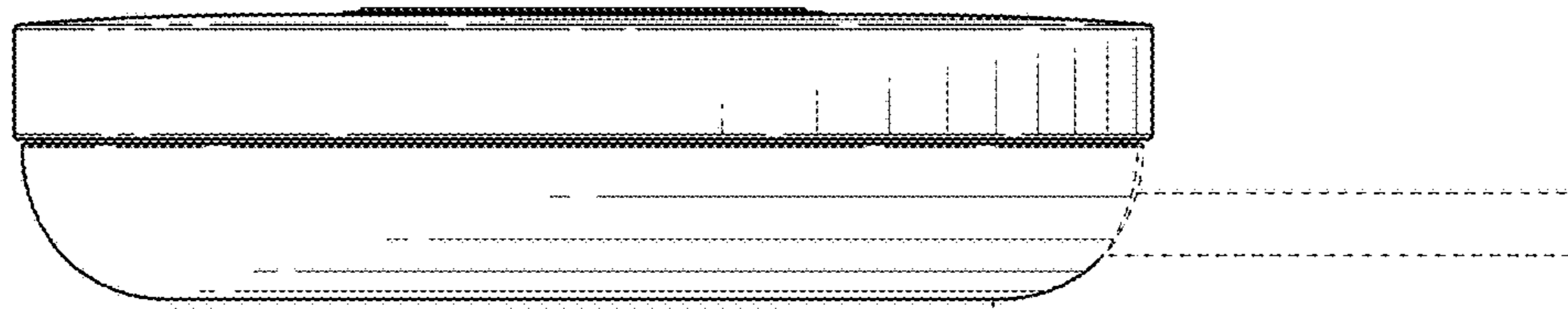


FIG. 5

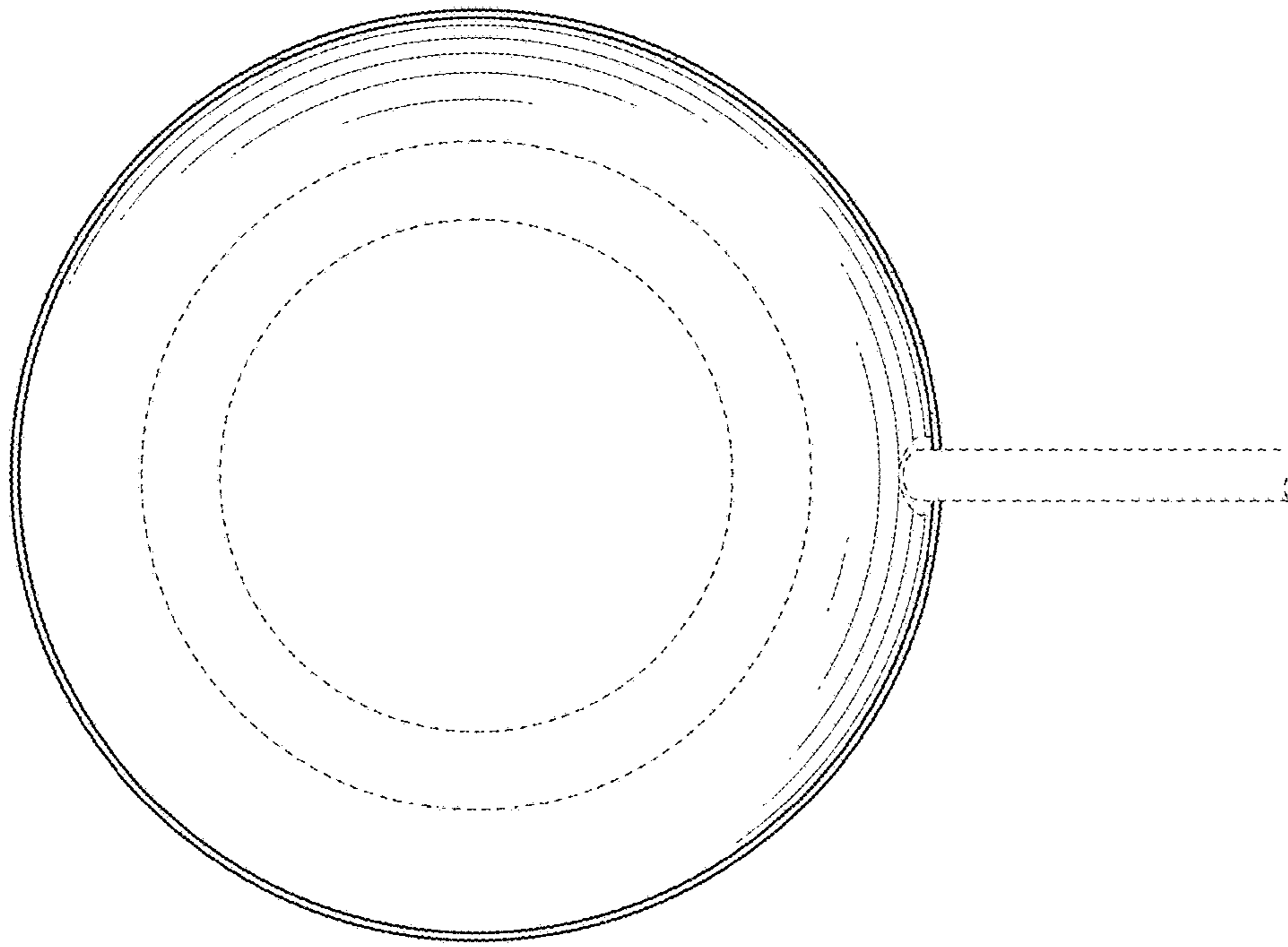


FIG. 7

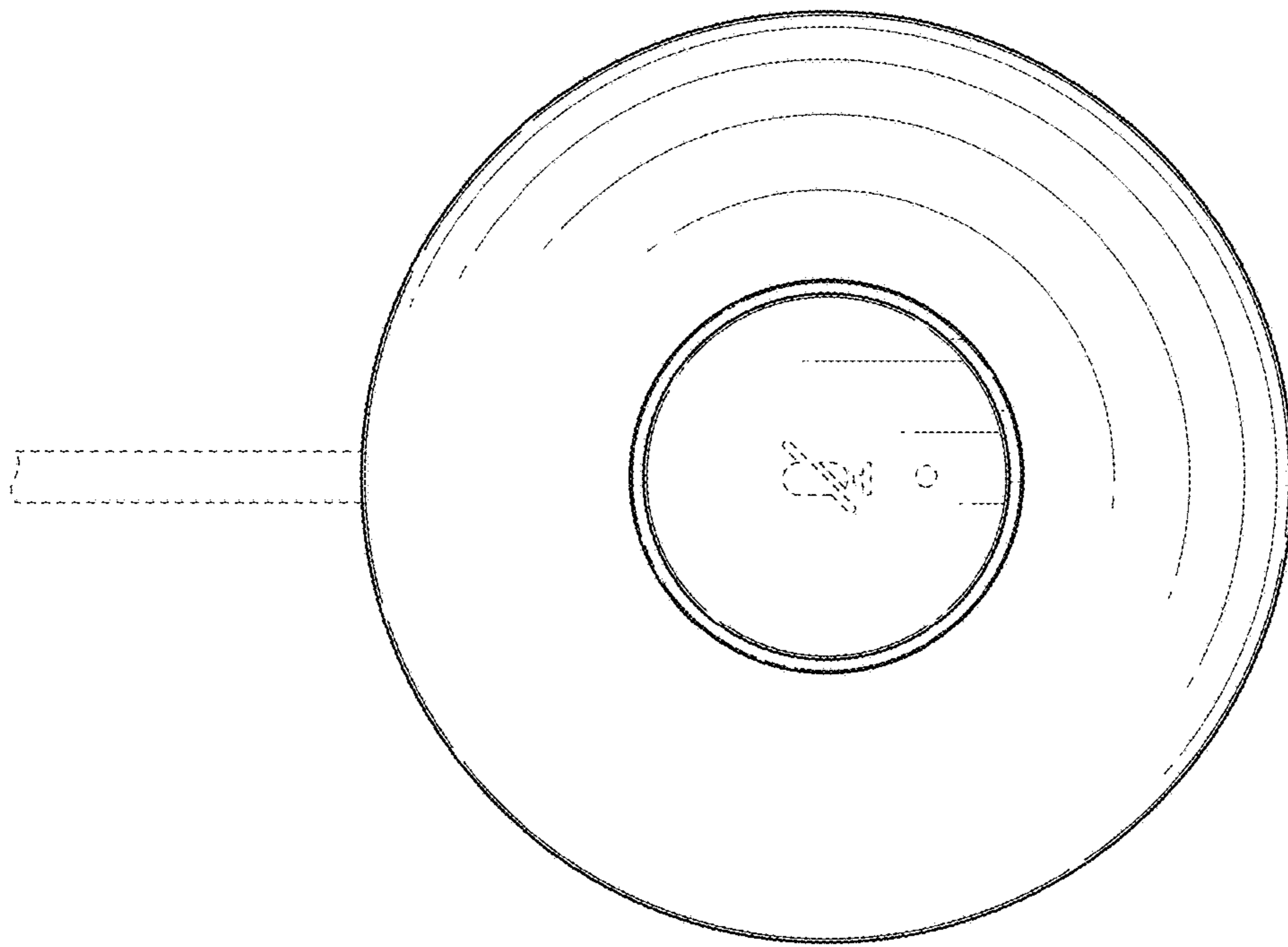


FIG. 6