



US00D834566S

(12) **United States Design Patent** (10) **Patent No.:** **US D834,566 S**  
**Sunwoo et al.** (45) **Date of Patent:** **\*\* Nov. 27, 2018**

(54) **MICROPHONE**

(56) **References Cited**

(71) Applicant: **Freedman Electronics Pty Limited,**  
Silverwater (AU)

(72) Inventors: **Sun Kyung Sunwoo,** Silverwater (AU);  
**Samuel Dean Trewartha,** Silverwater  
(AU); **Jonathan Mark Woodcock,**  
Silverwater (AU)

(73) Assignee: **Freedman Electronics Pty Ltd,**  
Silverwater (AU)

U.S. PATENT DOCUMENTS

D171,055 S *	12/1953	Schell .....	D14/225
5,357,577 A *	10/1994	Waji .....	H01J 7/24 361/704
D400,540 S *	11/1998	Cruver, IV .....	D14/228
D447,131 S *	8/2001	Hough .....	D14/228
D504,126 S *	4/2005	Saulespurens .....	D14/228
D516,546 S *	3/2006	Sobol .....	D14/228
D551,661 S *	9/2007	Probst .....	D14/225
D594,856 S *	6/2009	Marshall .....	D14/228
D603,849 S *	11/2009	Durrett .....	D14/228
D604,274 S *	11/2009	Durrett .....	D14/228
D708,170 S *	7/2014	Duek .....	D14/225
D747,296 S *	1/2016	Wise .....	D14/227
D774,494 S *	12/2016	Sunwoo .....	D14/227

(\*\*) Term: **15 Years**

(21) Appl. No.: **29/610,521**

(22) Filed: **Jul. 13, 2017**

(30) **Foreign Application Priority Data**

Jan. 13, 2017 (AU) ..... 201710167

(51) **LOC (11) Cl.** ..... **14-02**

(52) **U.S. Cl.**  
USPC ..... **D14/227**

(58) **Field of Classification Search**  
USPC ..... D14/224-229; D16/244; D17/99;  
D6/681; 248/125.1, 166, 185.1;  
381/355, 359, 361-363, 365, 366, 369,  
381/375; 379/428.01, 428.04, 431,  
379/433.03  
CPC . H04R 25/00; H04R 1/02; H04R 5/02; H04R  
9/08; F16M 11/38; F16M 13/00; F16M  
11/00

See application file for complete search history.

\* cited by examiner

*Primary Examiner* — Katie Jane Stofko

(74) *Attorney, Agent, or Firm* — Cooper & Dunham LLP

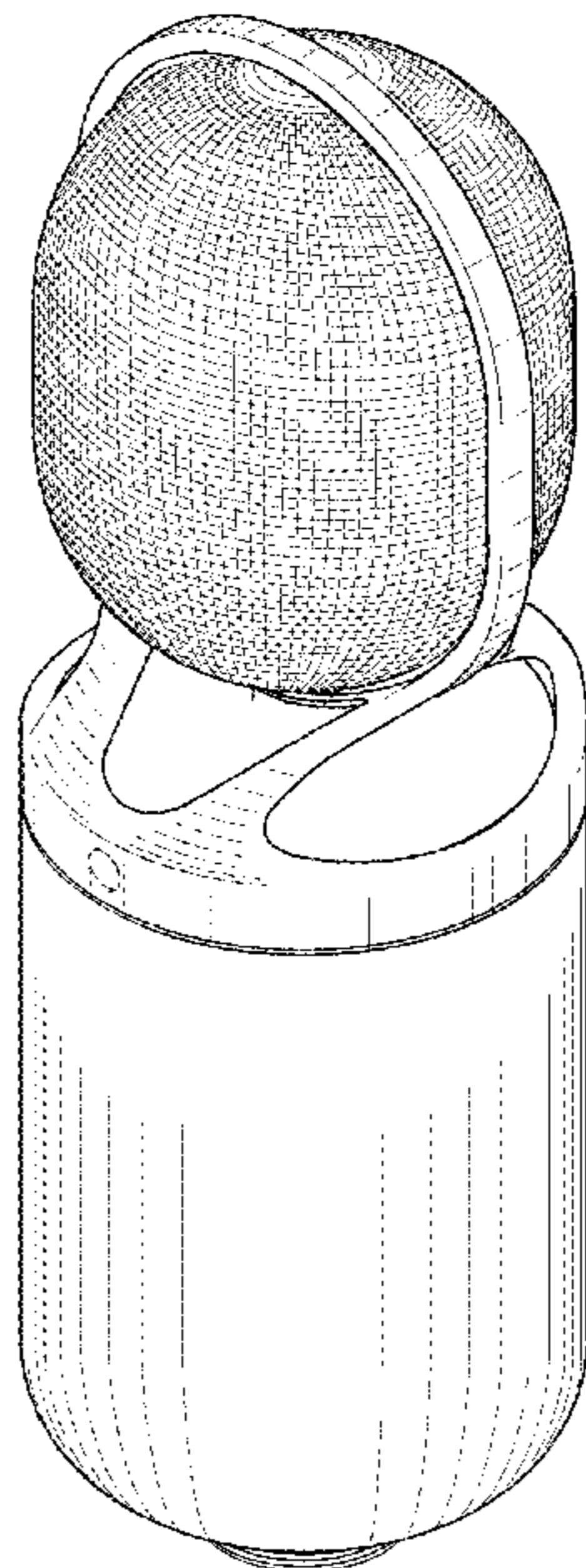
(57) **CLAIM**

We claim the ornamental design for a microphone, as shown and described.

**DESCRIPTION**

FIG. 1 is a front perspective view of a microphone;  
 FIG. 2 is a rear perspective view thereof;  
 FIG. 3 is a side perspective view thereof;  
 FIG. 4 is a right side elevational view thereof;  
 FIG. 5 is a front elevational view thereof;  
 FIG. 6 is a left side elevational view thereof;  
 FIG. 7 is a rear elevational view thereof; and,  
 FIG. 8 is a top plan view thereof.

**1 Claim, 8 Drawing Sheets**



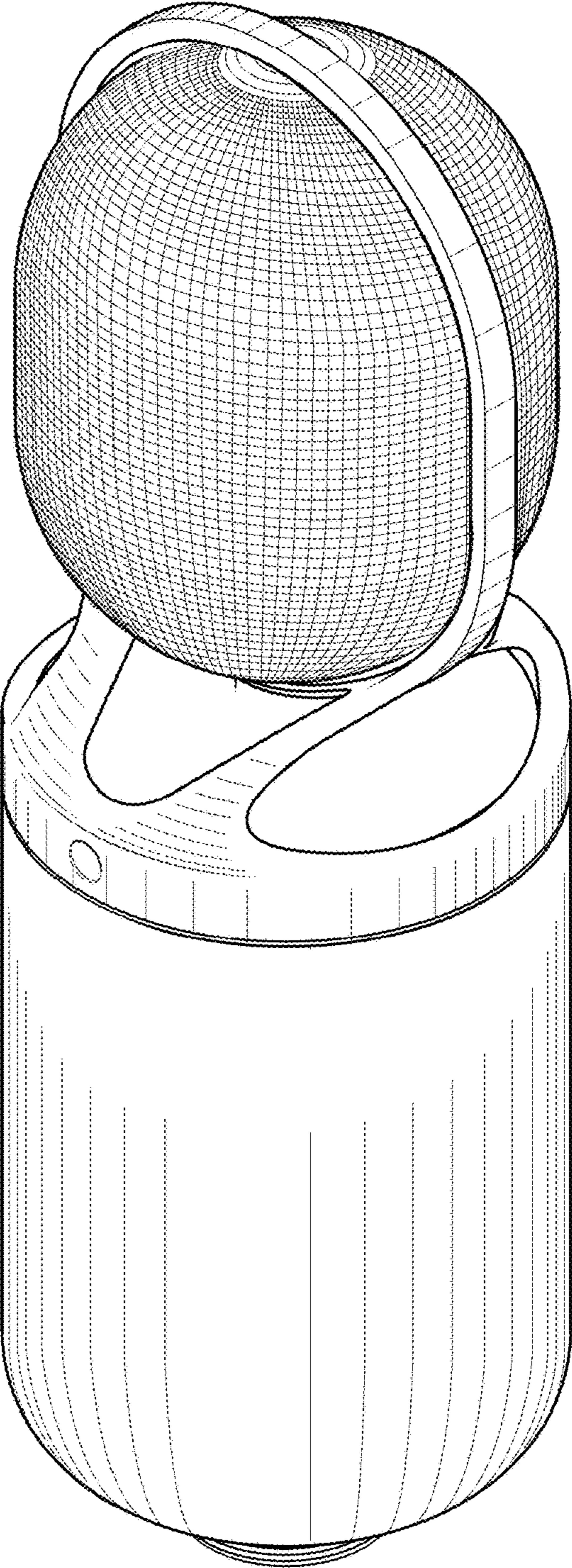


FIGURE 1



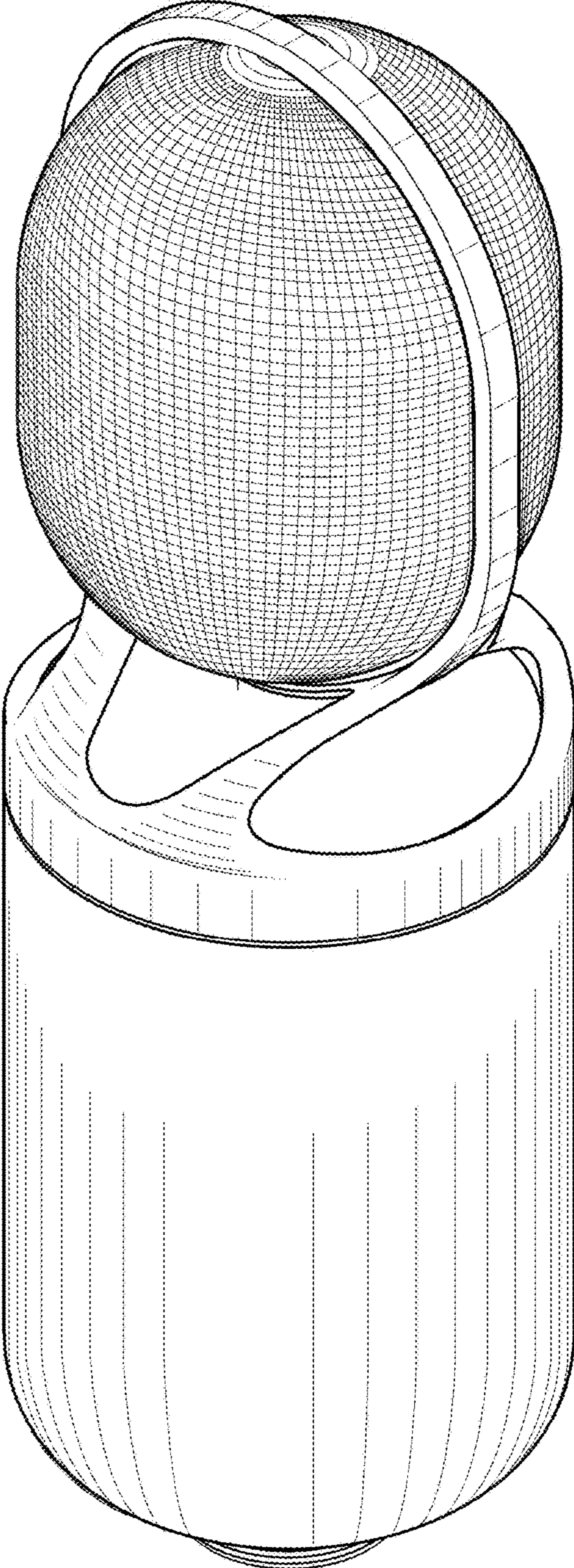


FIGURE 2

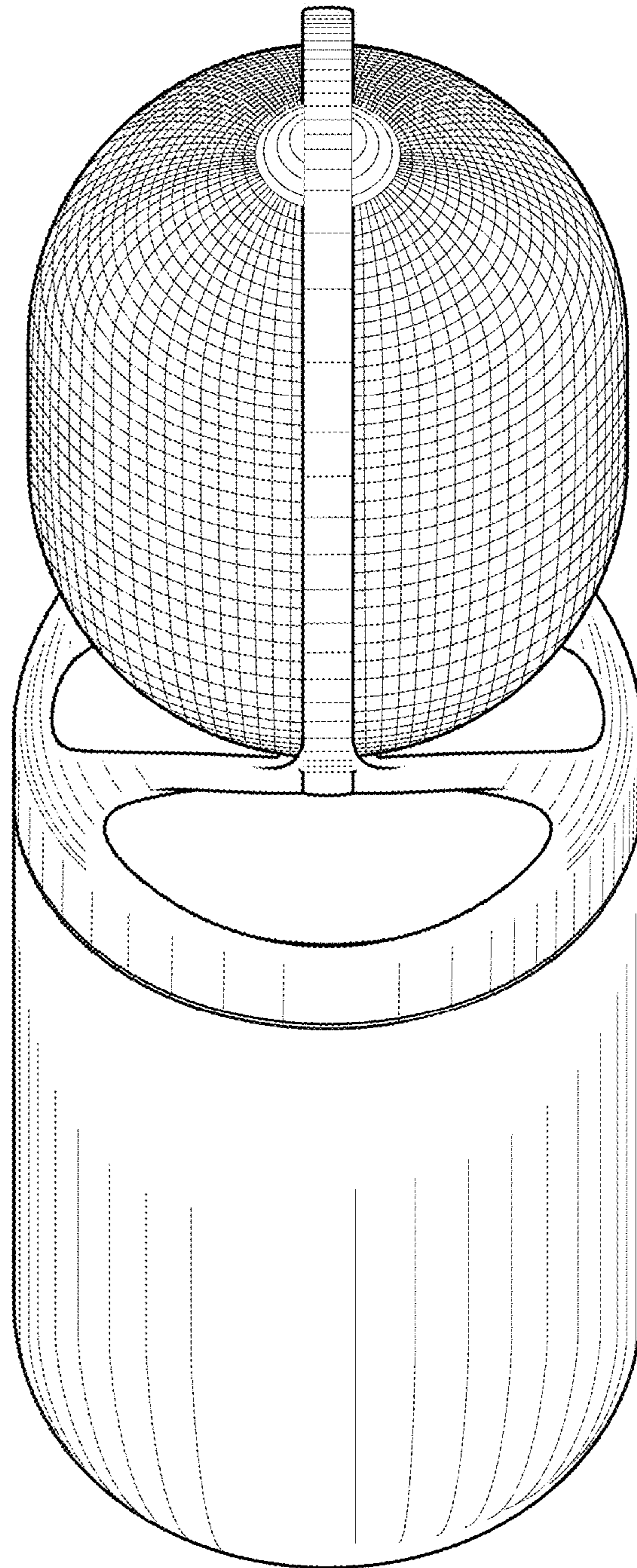


FIGURE 3



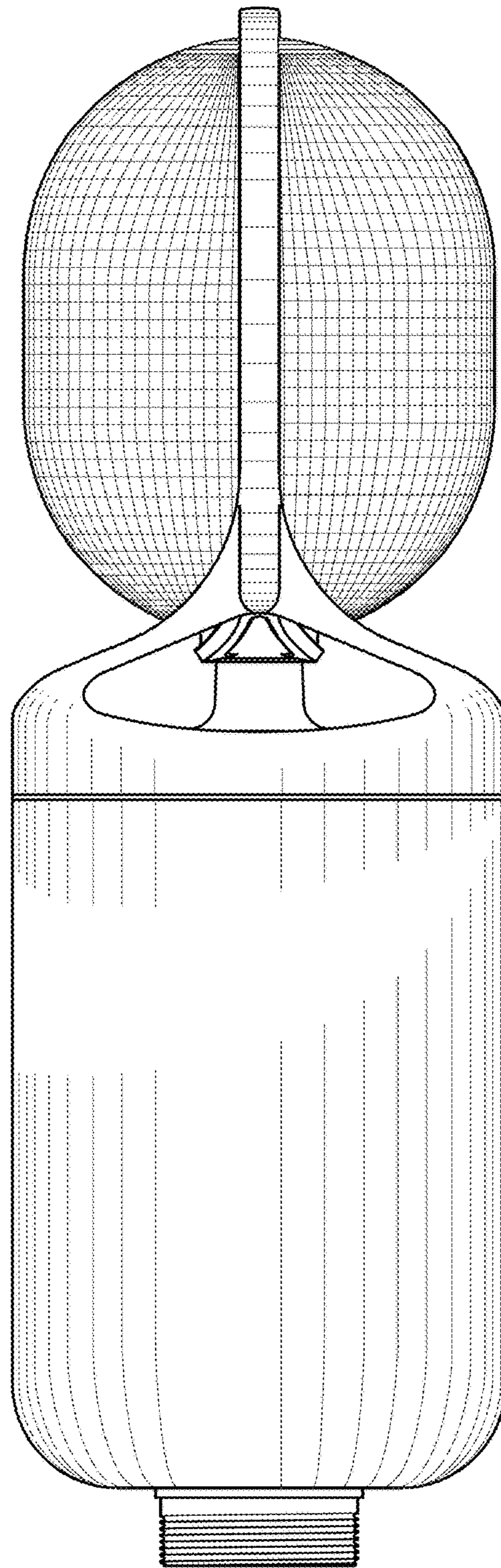


FIGURE 4

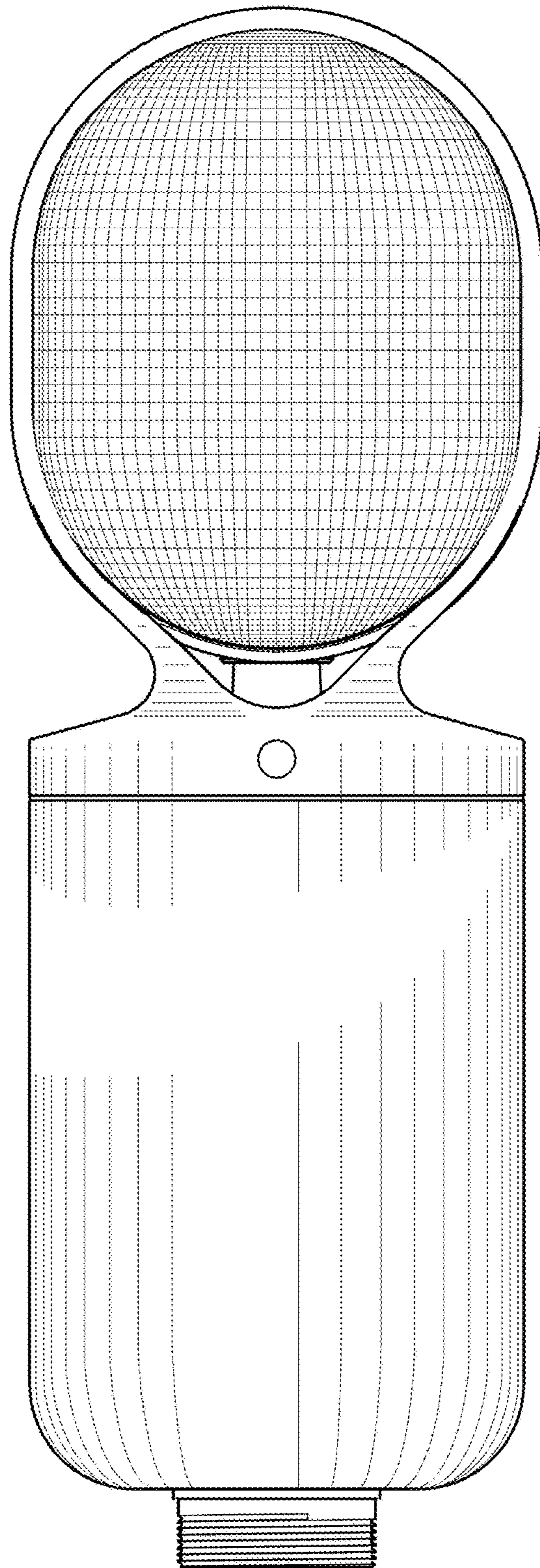


FIGURE 5

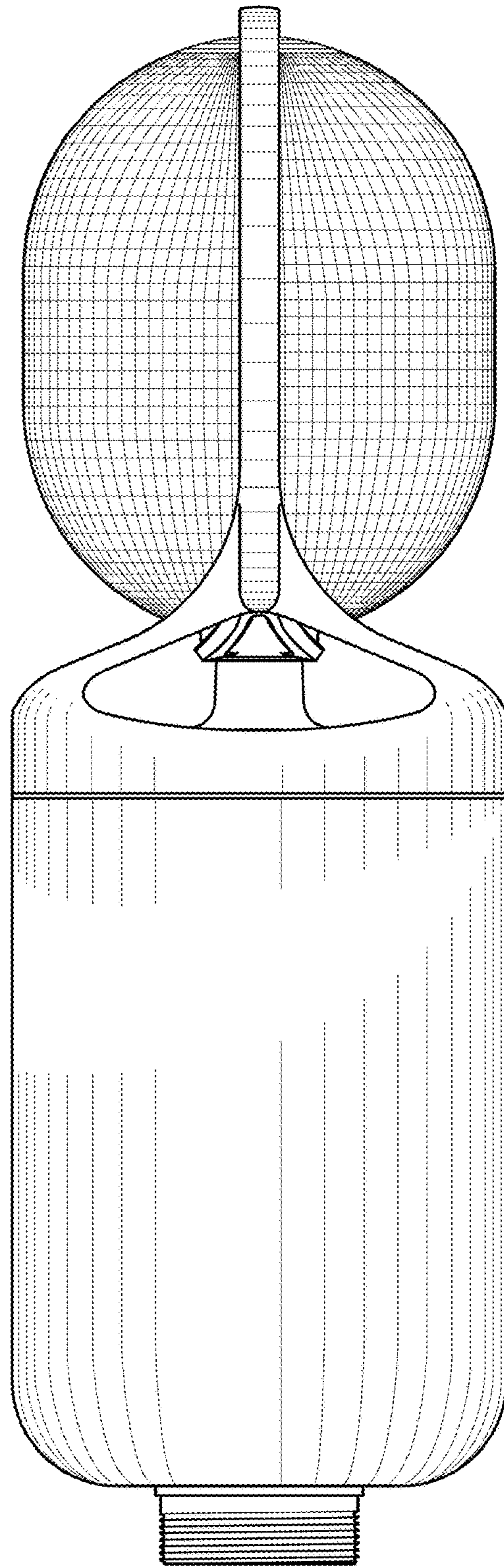


FIGURE 6



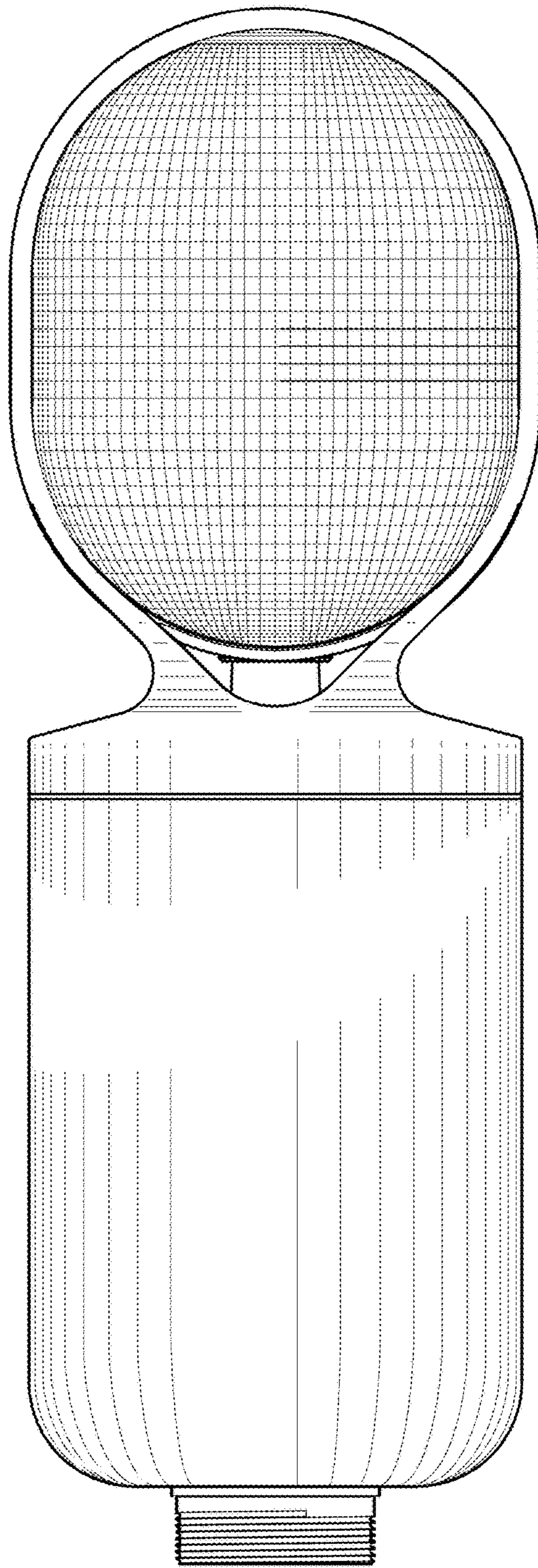


FIGURE 7



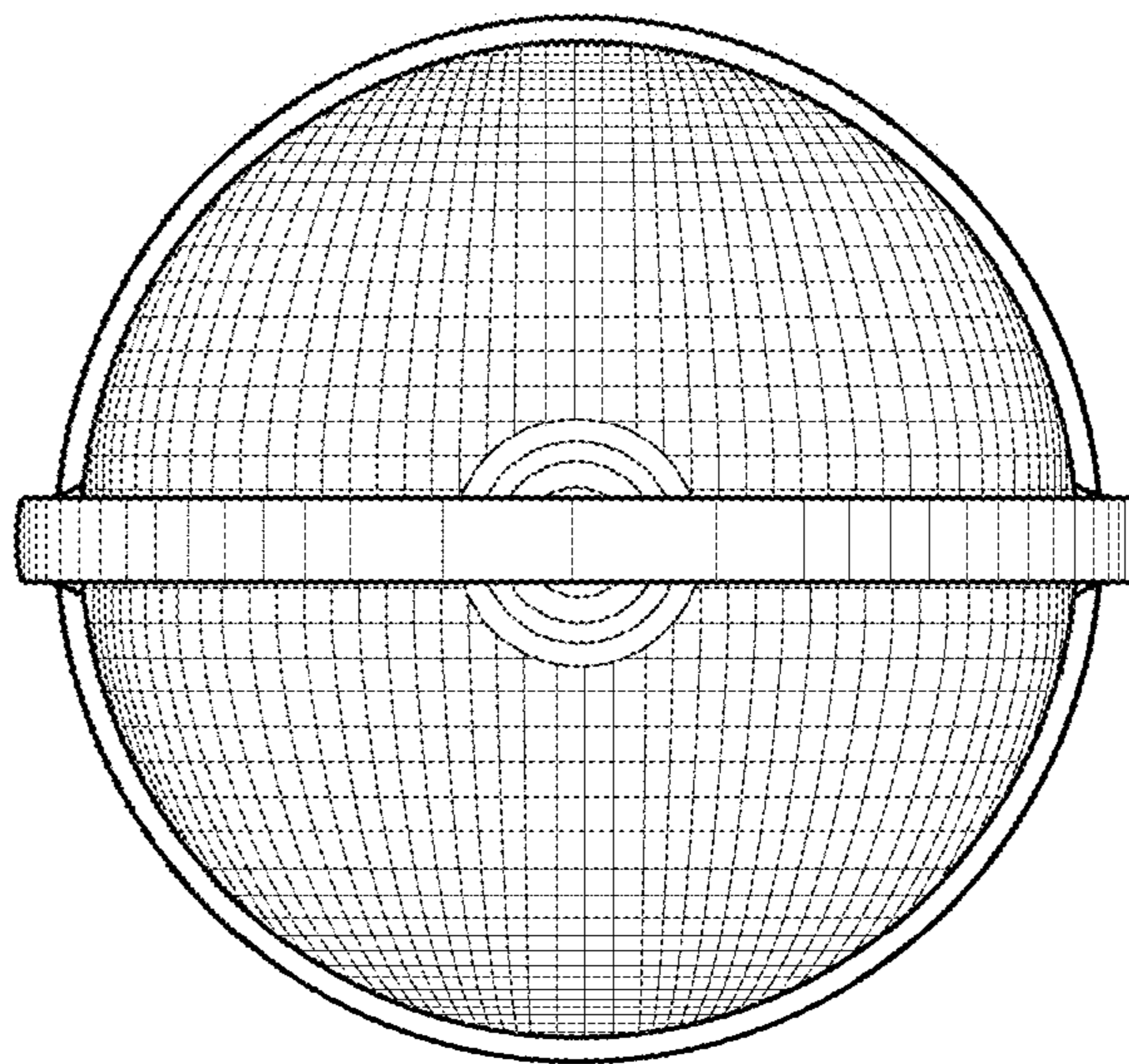


FIGURE 8