



US00D834564S

(12) **United States Design Patent**  
**Chen**

(10) **Patent No.:** **US D834,564 S**

(45) **Date of Patent:** **\*\* Nov. 27, 2018**

(54) **VERTICAL MICROPHONE**

(71) Applicant: **Ching-Wen Chen**, Taipei (TW)

(72) Inventor: **Ching-Wen Chen**, Taipei (TW)

(\*\*) Term: **15 Years**

(21) Appl. No.: **29/611,935**

(22) Filed: **Jul. 26, 2017**

(51) **LOC (11) Cl.** ..... **14-02**

(52) **U.S. Cl.**  
USPC ..... **D14/226**

(58) **Field of Classification Search**  
USPC ..... D14/224-229; D16/244; D17/99;  
D6/681; 248/125.1, 166, 185.1;  
381/355, 359, 361-363, 365, 366, 369,  
381/375; 379/428.01, 428.04, 431,  
379/433.03

CPC . H04R 25/00; H04R 1/02; H04R 5/02; H04R  
9/08; F16M 11/38; F16M 13/00; F16M  
11/00

See application file for complete search history.

(56) **References Cited**

**U.S. PATENT DOCUMENTS**

D171,055 S \* 12/1953 Schell ..... D14/225  
4,383,487 A \* 5/1983 Fitzner ..... A47F 5/04  
108/150

D309,266 S \* 7/1990 Kaneko ..... D10/15  
D400,540 S \* 11/1998 Cruver, IV ..... D14/228  
D439,892 S \* 4/2001 Tal ..... D14/149  
D447,131 S \* 8/2001 Hough ..... D14/228  
D516,546 S \* 3/2006 Sobol ..... D14/228  
D535,645 S \* 1/2007 Probst ..... D14/225  
D594,856 S \* 6/2009 Marshall ..... D14/228  
D604,274 S \* 11/2009 Durrett ..... D14/228  
D704,168 S \* 5/2014 Godfrey ..... D14/225  
D737,253 S \* 8/2015 Henricksen ..... D14/228  
D766,303 S \* 9/2016 Anzures ..... D14/486

\* cited by examiner

*Primary Examiner* — Katie Jane Stofko

(57) **CLAIM**

The ornamental design for a vertical microphone, as shown.

**DESCRIPTION**

FIG. 1 is a front elevational view of a vertical microphone showing my new design;

FIG. 2 is a rear elevational view thereof;

FIG. 3 is a left side view thereof;

FIG. 4 is a right side view thereof;

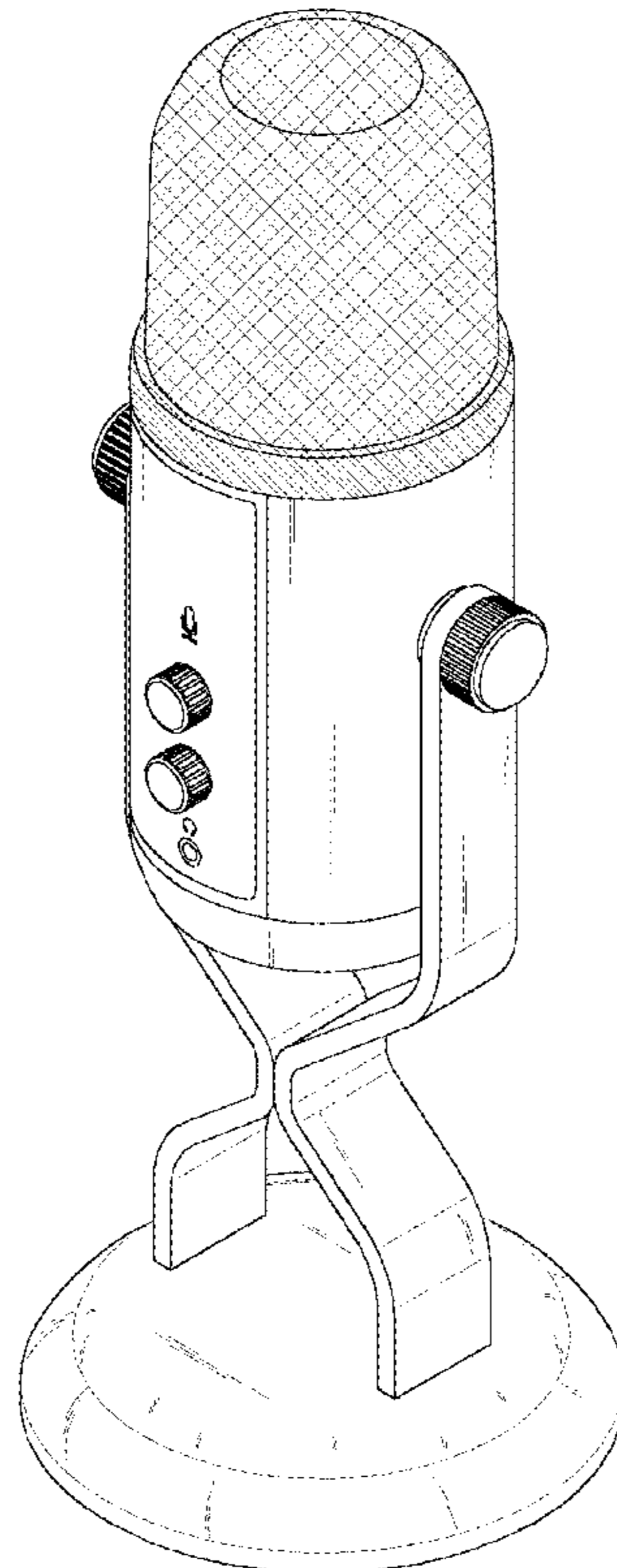
FIG. 5 is a top plan view thereof;

FIG. 6 is a bottom plan view thereof;

FIG. 7 is a perspective view thereof; and,

FIG. 8 is another perspective view thereof.

**1 Claim, 7 Drawing Sheets**



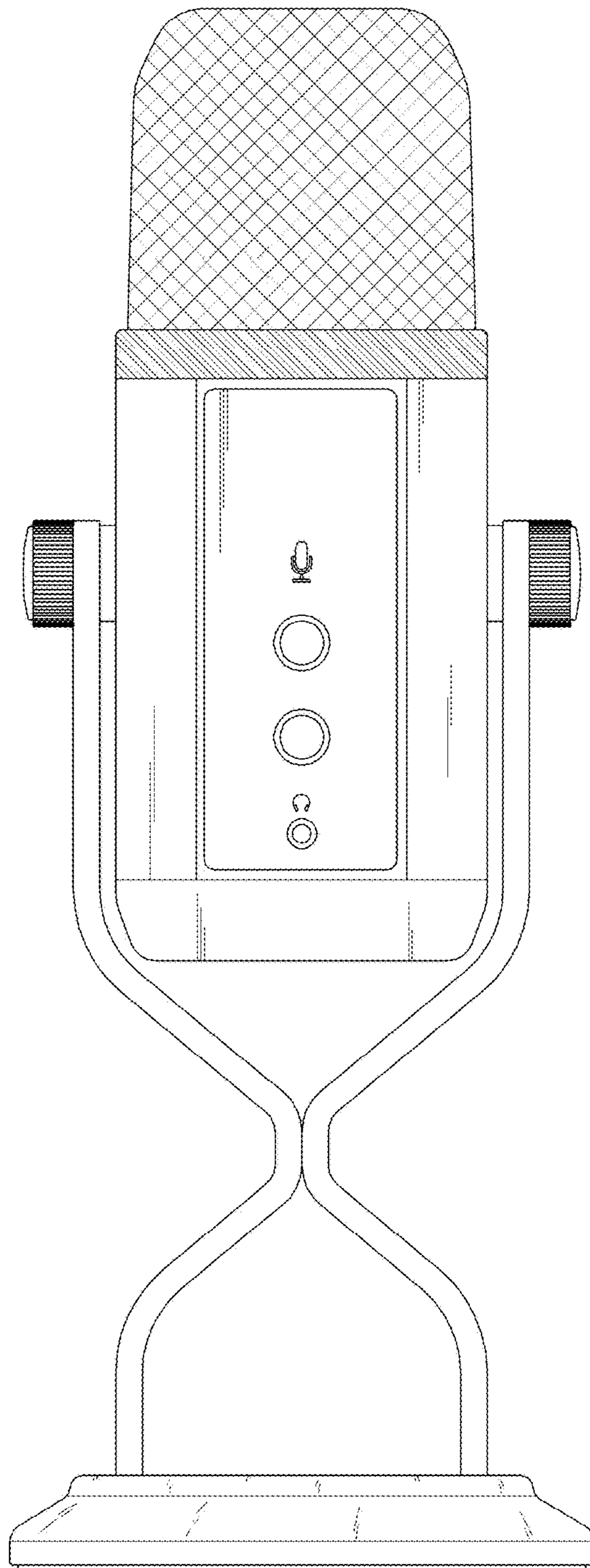


FIG. 1

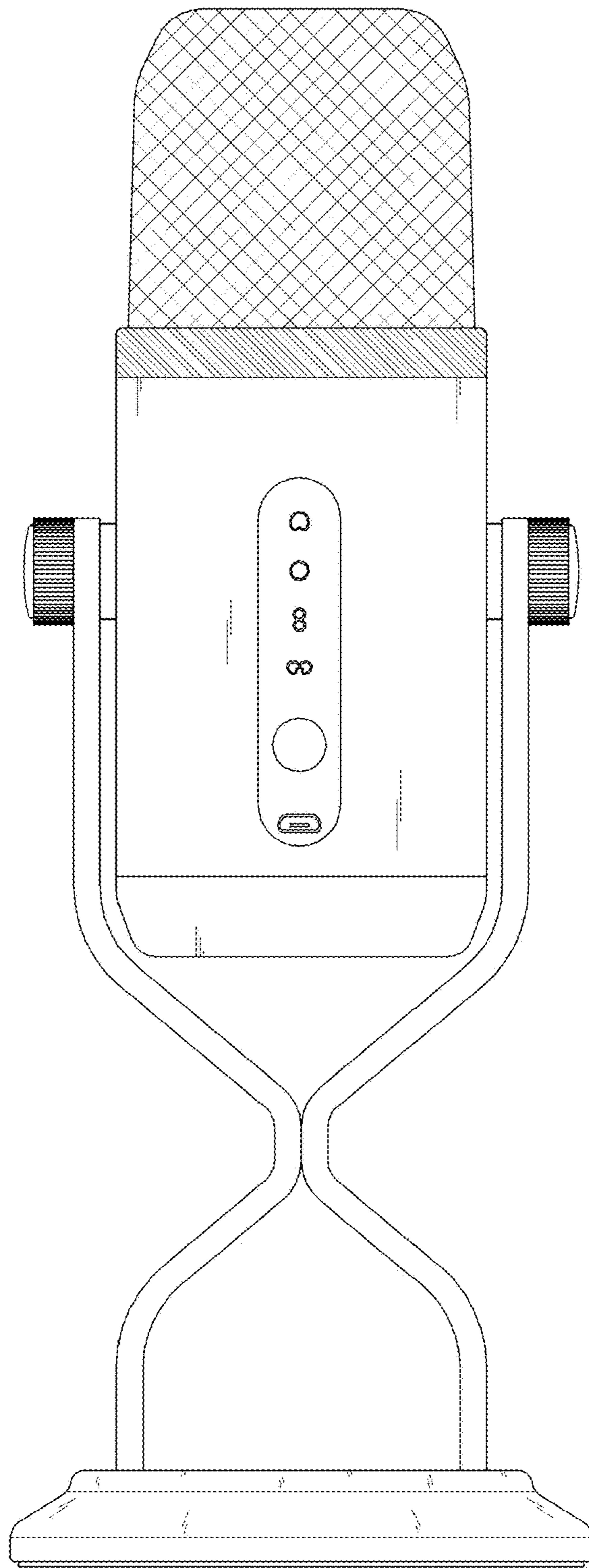


FIG. 2

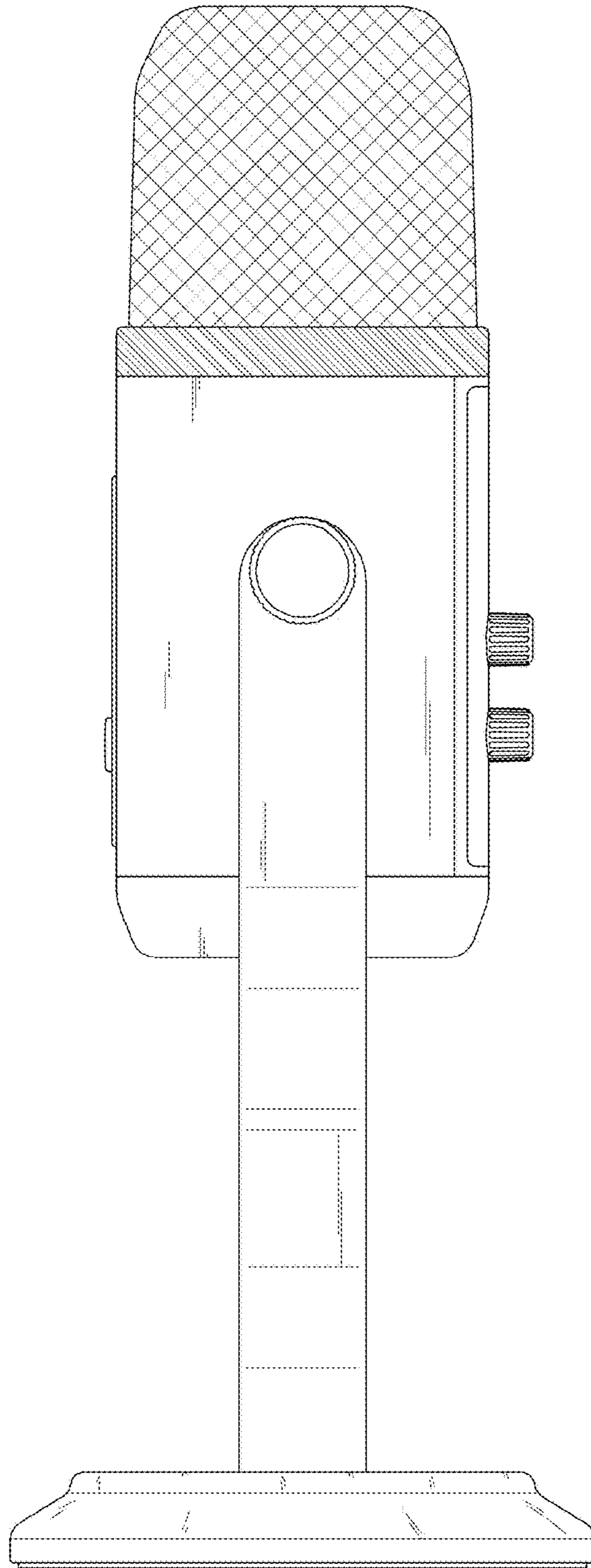


FIG. 3

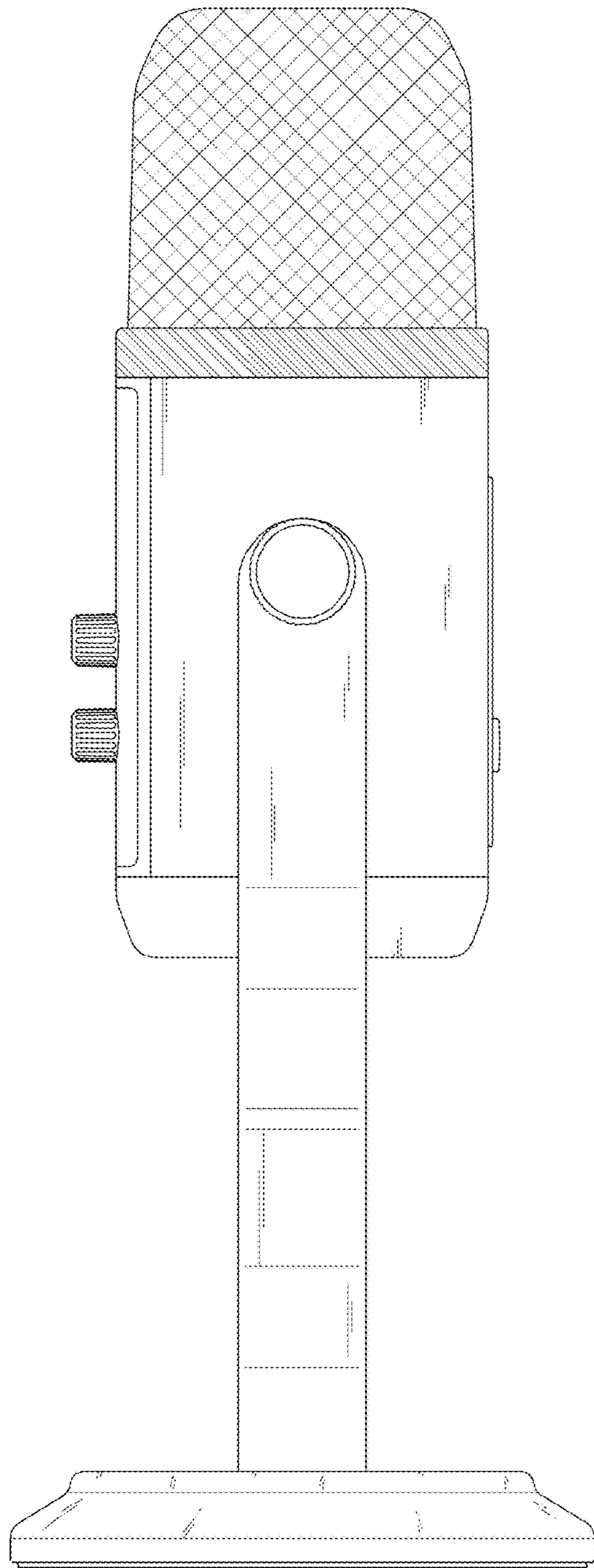


FIG. 4

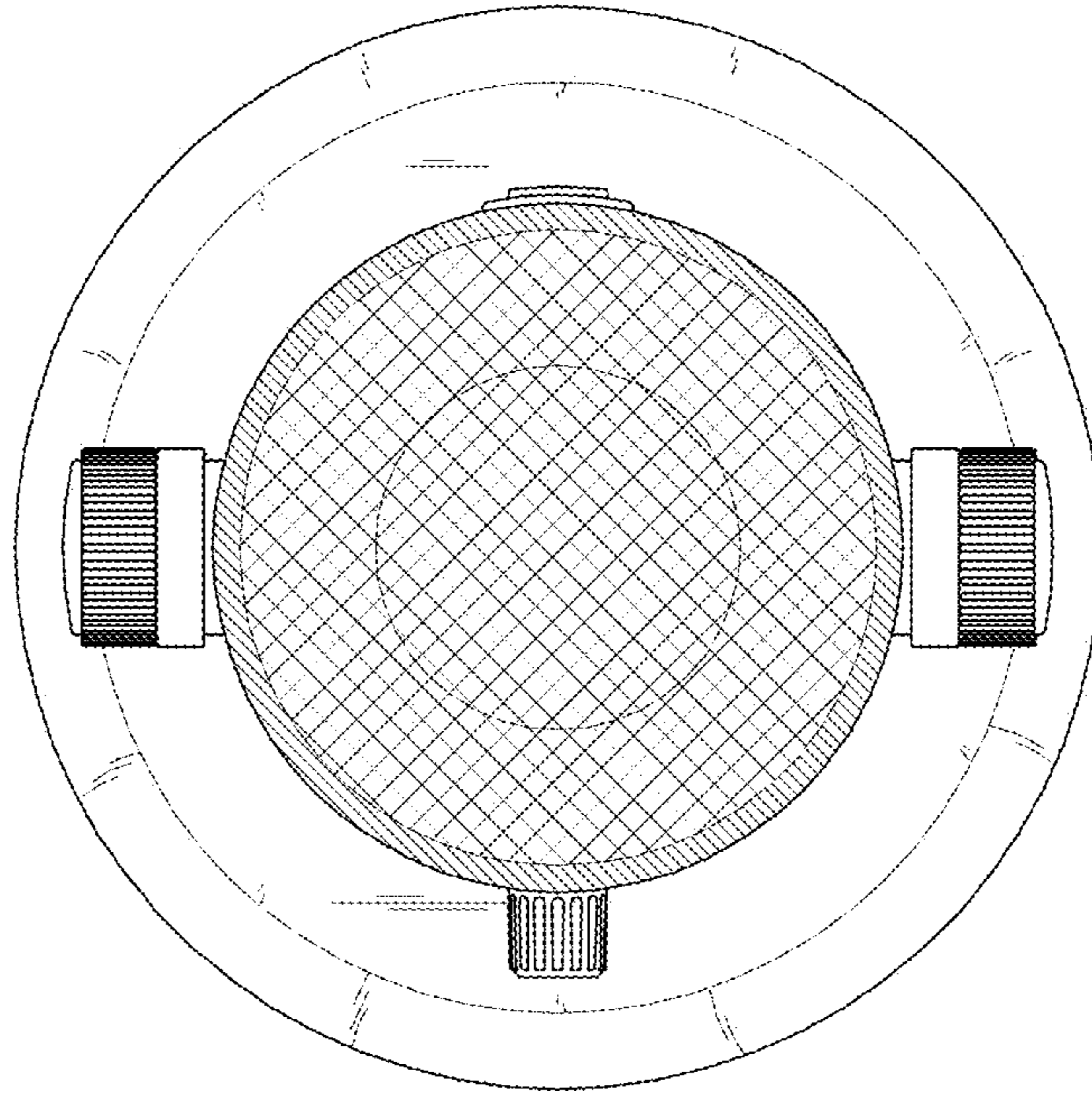


FIG. 5

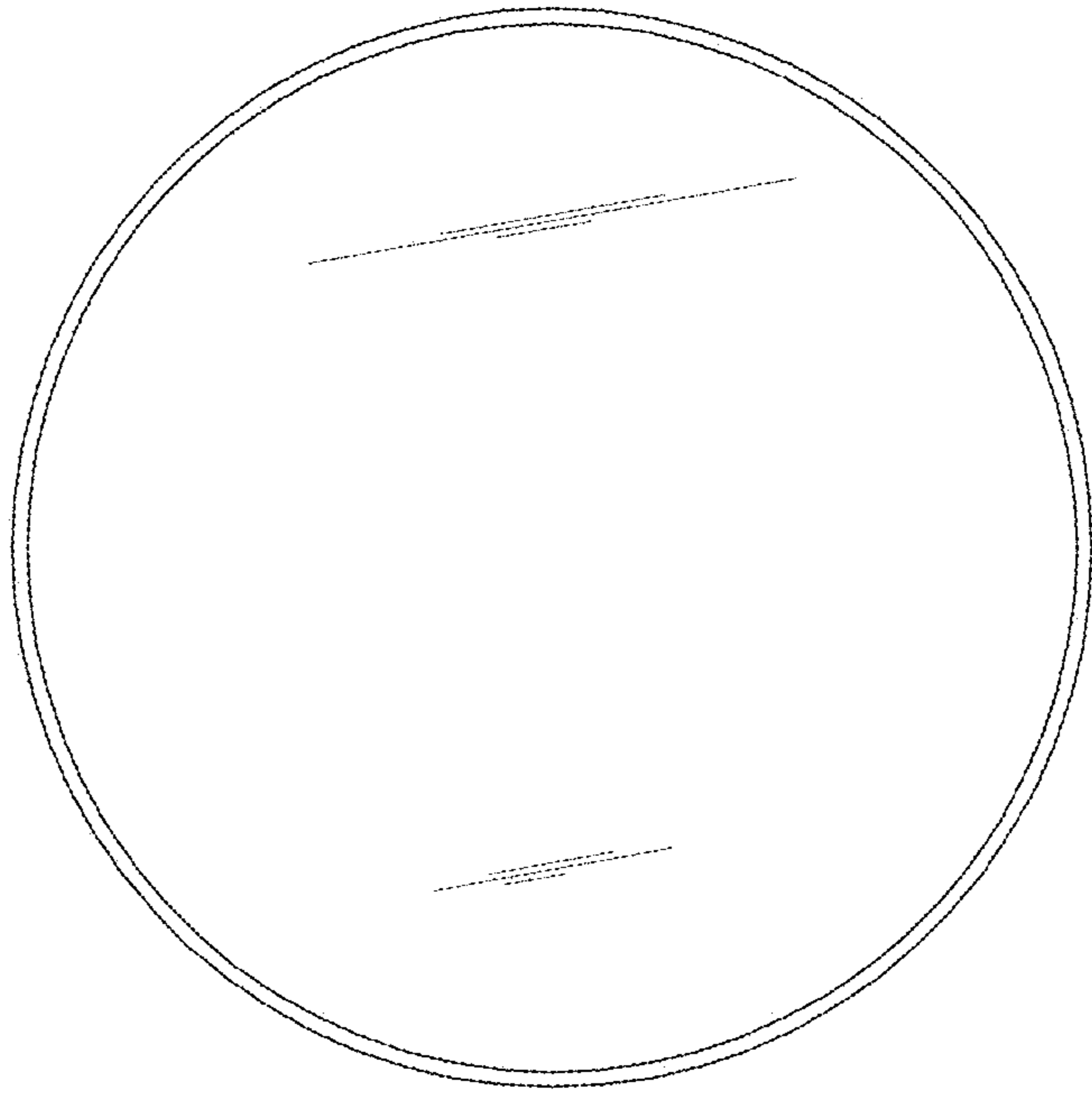


FIG. 6

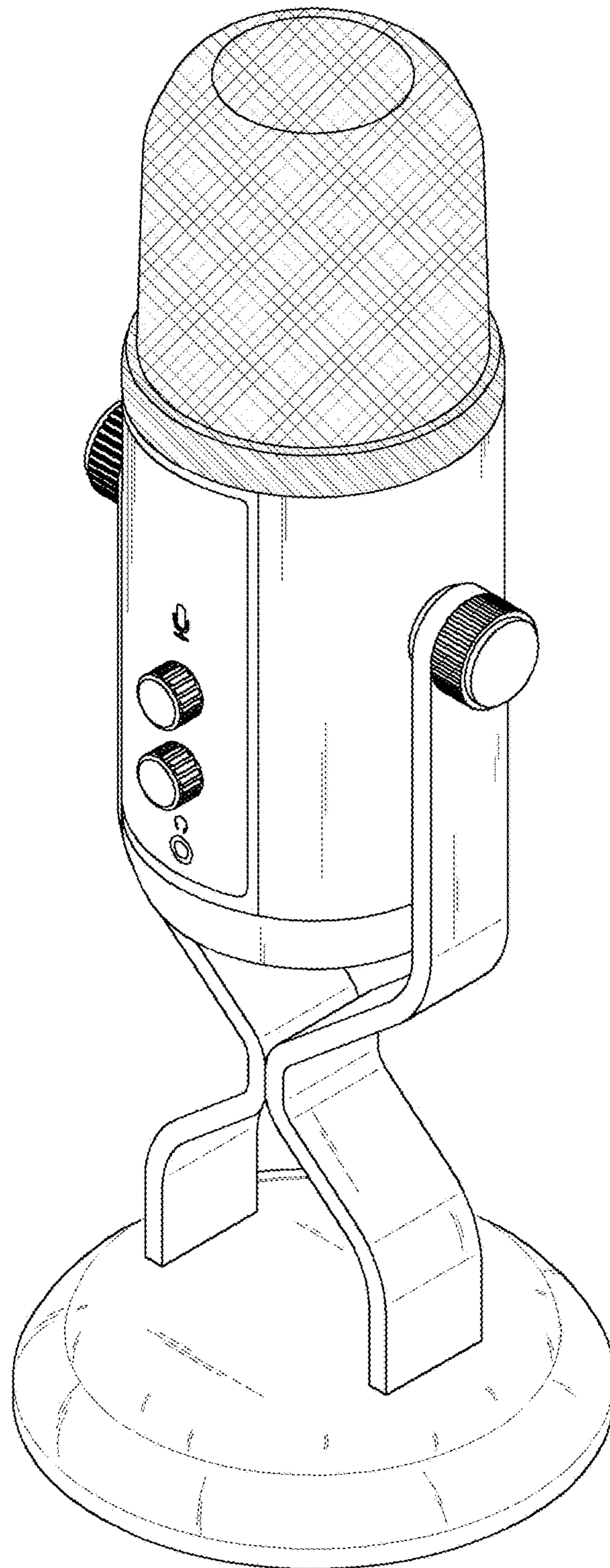


FIG. 7

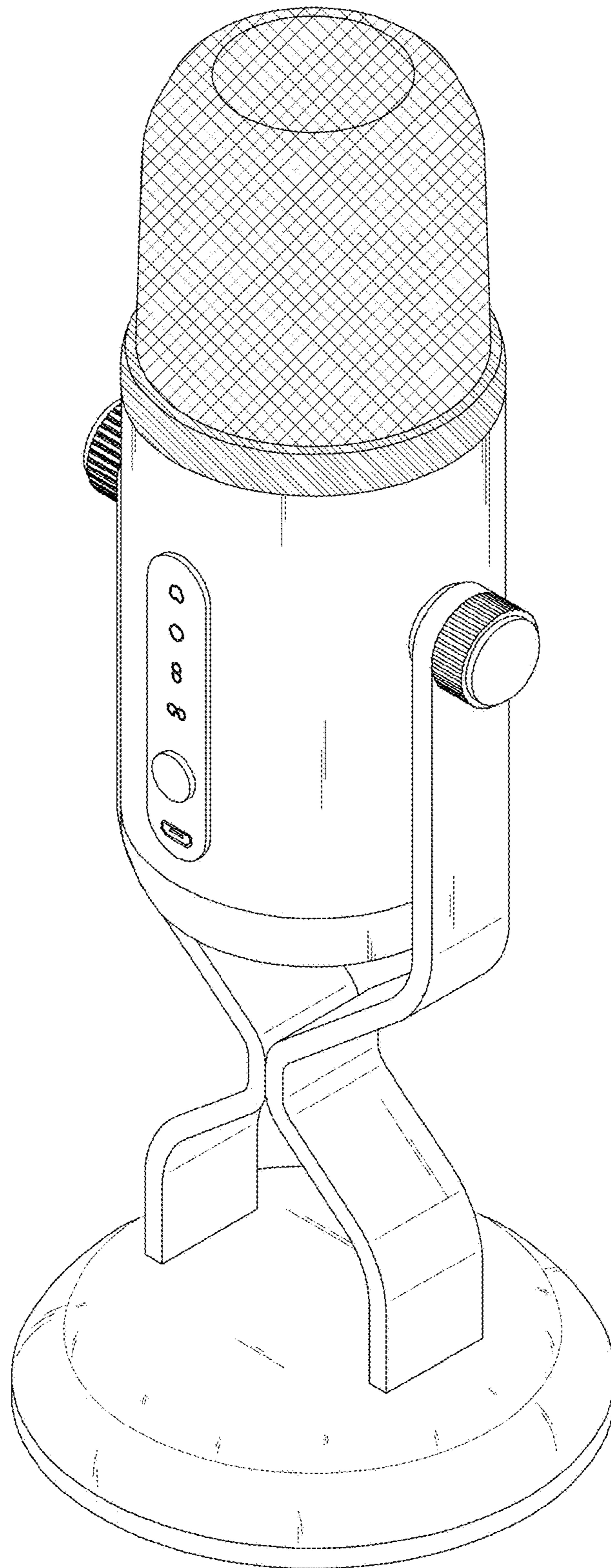


FIG. 8