



US00D834563S

(12) **United States Design Patent** (10) **Patent No.:** **US D834,563 S**  
**Ohashi** (45) **Date of Patent:** **\*\* Nov. 27, 2018**

(54) **WIRELESS MICROPHONE** D449,041 S \* 10/2001 Koike ..... D14/228  
6,463,159 B1 \* 10/2002 Ming-Cheng ..... H04R 1/08  
381/355  
(71) Applicant: **Panasonic Intellectual Property** D475,699 S 6/2003 Thornton et al.  
**Management Co., Ltd., Osaka (JP)** 6,597,796 B2 \* 7/2003 Chang ..... H04R 1/08  
338/178  
(72) Inventor: **Ippei Ohashi, Tokyo (JP)** 6,671,382 B2 \* 12/2003 Chen ..... H01R 35/02  
381/189  
(73) Assignee: **Panasonic Intellectual Property** D507,262 S 7/2005 Liu  
**Management Co., Ltd., Osaka (JP)** 6,968,070 B1 11/2005 Chiang  
D557,690 S \* 12/2007 Lee ..... D14/228  
D585,434 S \* 1/2009 Ganley ..... D14/225  
D589,033 S 3/2009 Thusbass  
D598,011 S \* 8/2009 Thusbass ..... D14/225  
D623,631 S \* 9/2010 Kung ..... D14/228  
7,978,869 B2 \* 7/2011 Chang ..... H04R 1/04  
381/355  
(21) Appl. No.: **29/629,269** D713,390 S \* 9/2014 Ibuki ..... D14/228  
D713,391 S 9/2014 Ibuki et al.  
(22) Filed: **Dec. 12, 2017**  
(30) **Foreign Application Priority Data**

Jul. 3, 2017 (JP) ..... 2017-014254  
(51) **LOC (11) Cl.** ..... **14-01**  
(52) **U.S. Cl.**  
USPC ..... **D14/225**  
(58) **Field of Classification Search**  
USPC ..... D14/224-229; D16/244; D17/99;  
D6/681; 248/125.1, 166, 185.1;  
381/355, 359, 361-363, 365, 366, 369,  
381/375; 379/428.01, 428.04, 431,  
379/433.03  
CPC . H04R 25/00; H04R 1/02; H04R 5/02; H04R  
9/08; F16M 11/38; F16M 13/00; F16M  
11/00  
See application file for complete search history.

(56) **References Cited**  
U.S. PATENT DOCUMENTS  
D302,819 S \* 8/1989 Kubota ..... D14/228  
4,910,795 A \* 3/1990 McCowen ..... H04R 1/04  
381/355  
D435,037 S \* 12/2000 Liu ..... D14/228

\* cited by examiner

*Primary Examiner* — Katie Jane Stofko  
(74) *Attorney, Agent, or Firm* — Panasonic IP  
Management; Kerry S. Culpepper

(57) **CLAIM**

I claim the ornamental design for a wireless microphone, as shown and described.

**DESCRIPTION**

FIG. 1 is a front perspective view of a wireless microphone of the present invention;  
FIG. 2 is a rear perspective view thereof;  
FIG. 3 is a front view thereof;  
FIG. 4 is a rear view thereof;  
FIG. 5 is a left side view thereof;  
FIG. 6 is a right side view thereof;  
FIG. 7 is a top view thereof; and,  
FIG. 8 is a bottom view thereof.

**1 Claim, 8 Drawing Sheets**

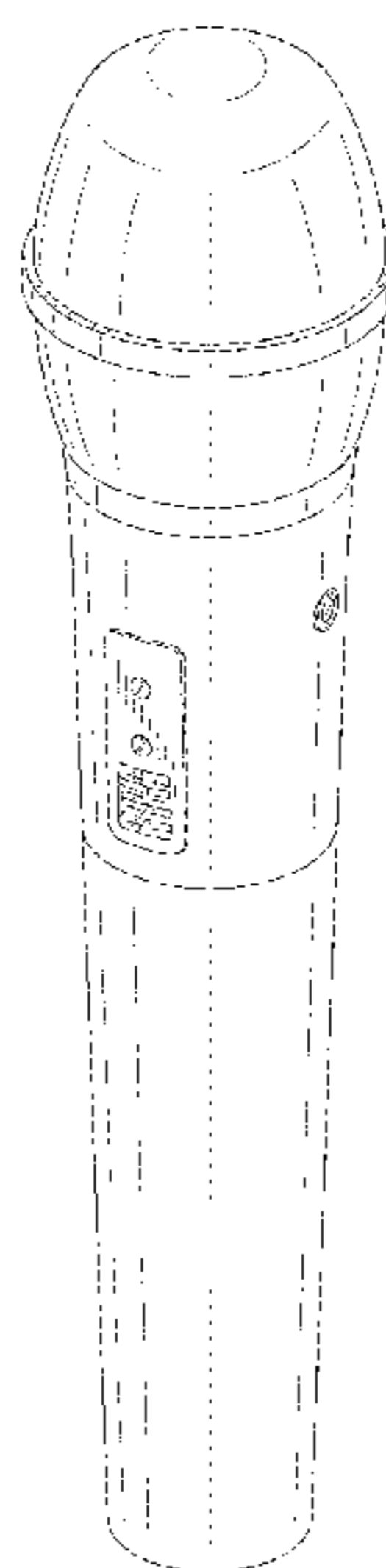


FIG. 1

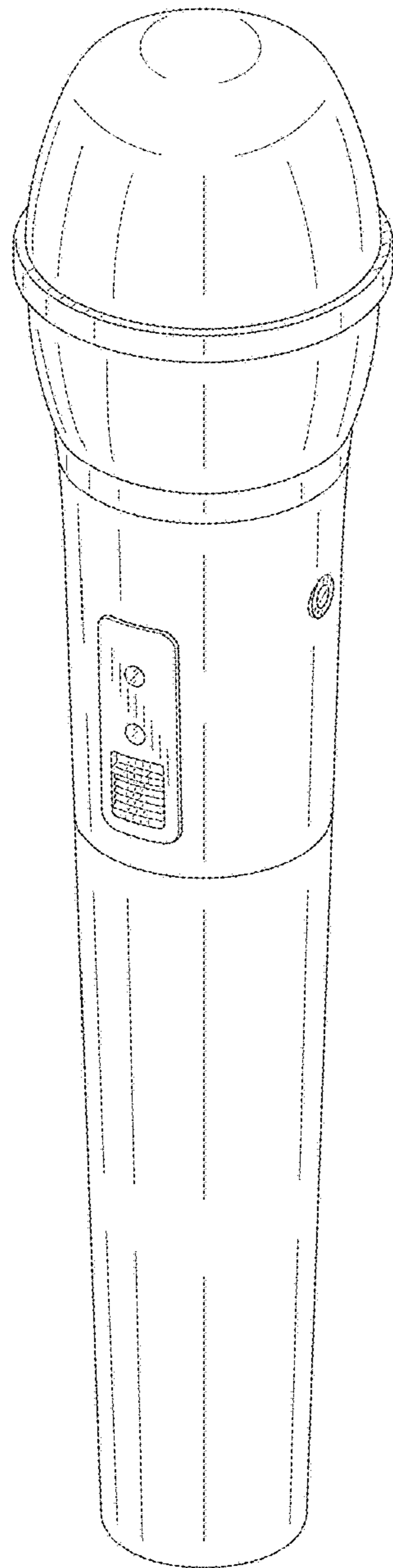


FIG. 2

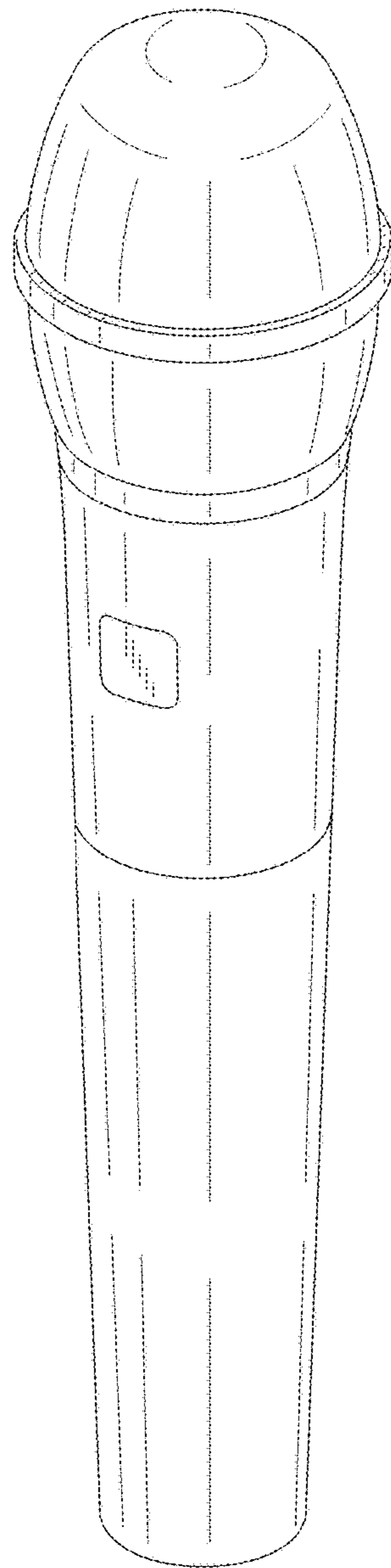


FIG. 3

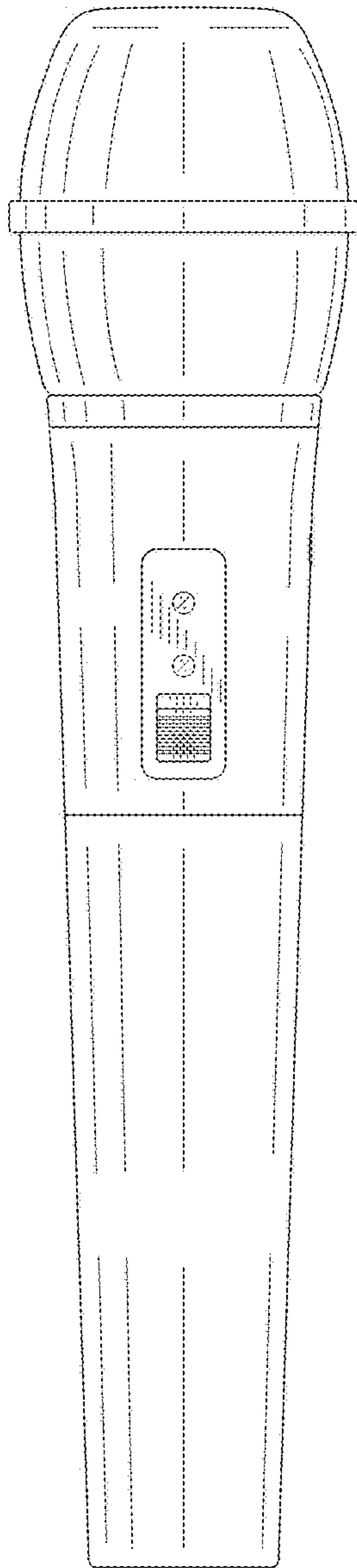


FIG. 4

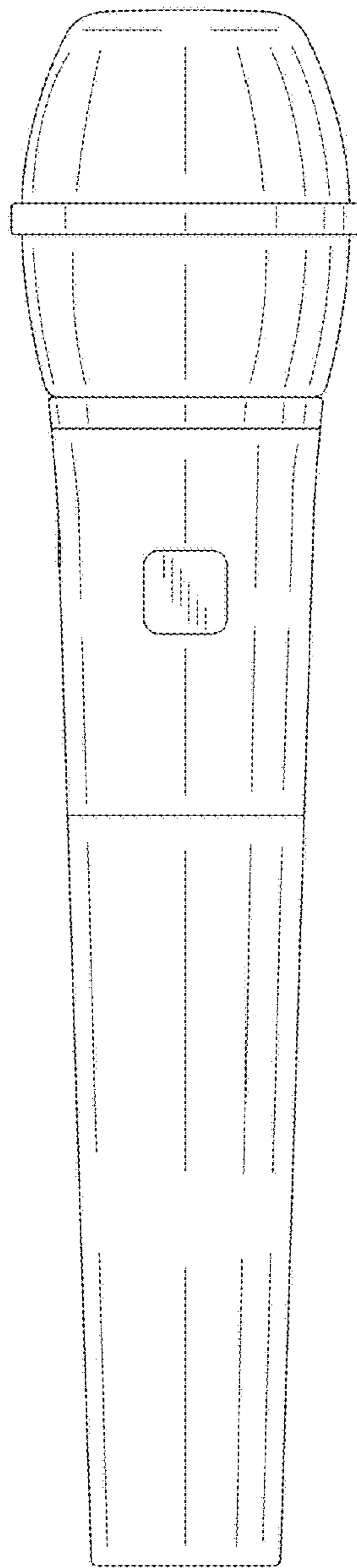


FIG. 5

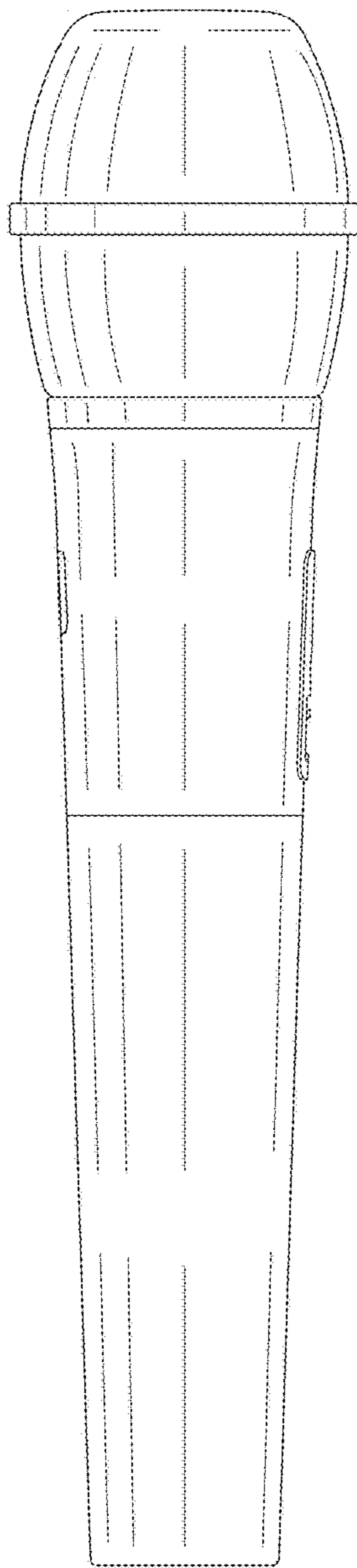


FIG. 6

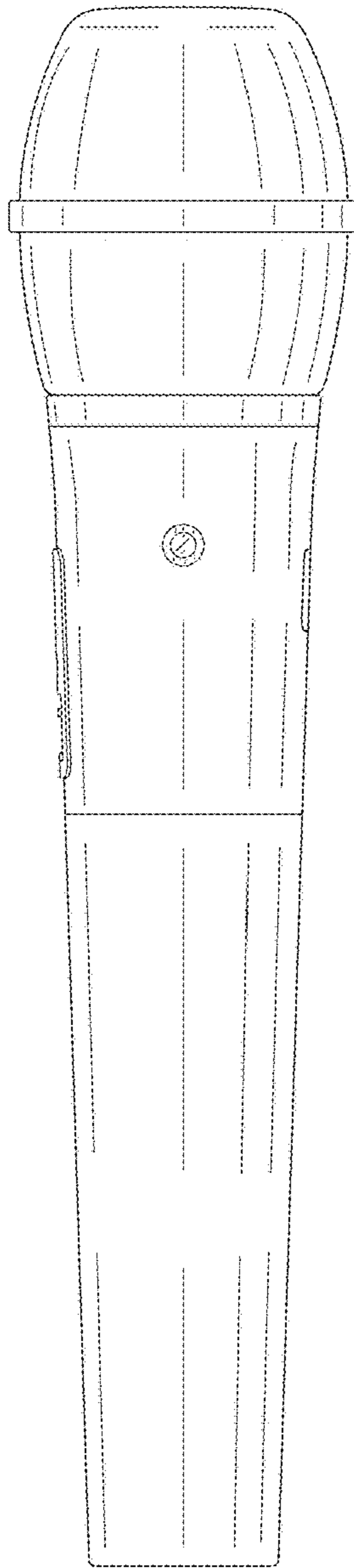


FIG. 7

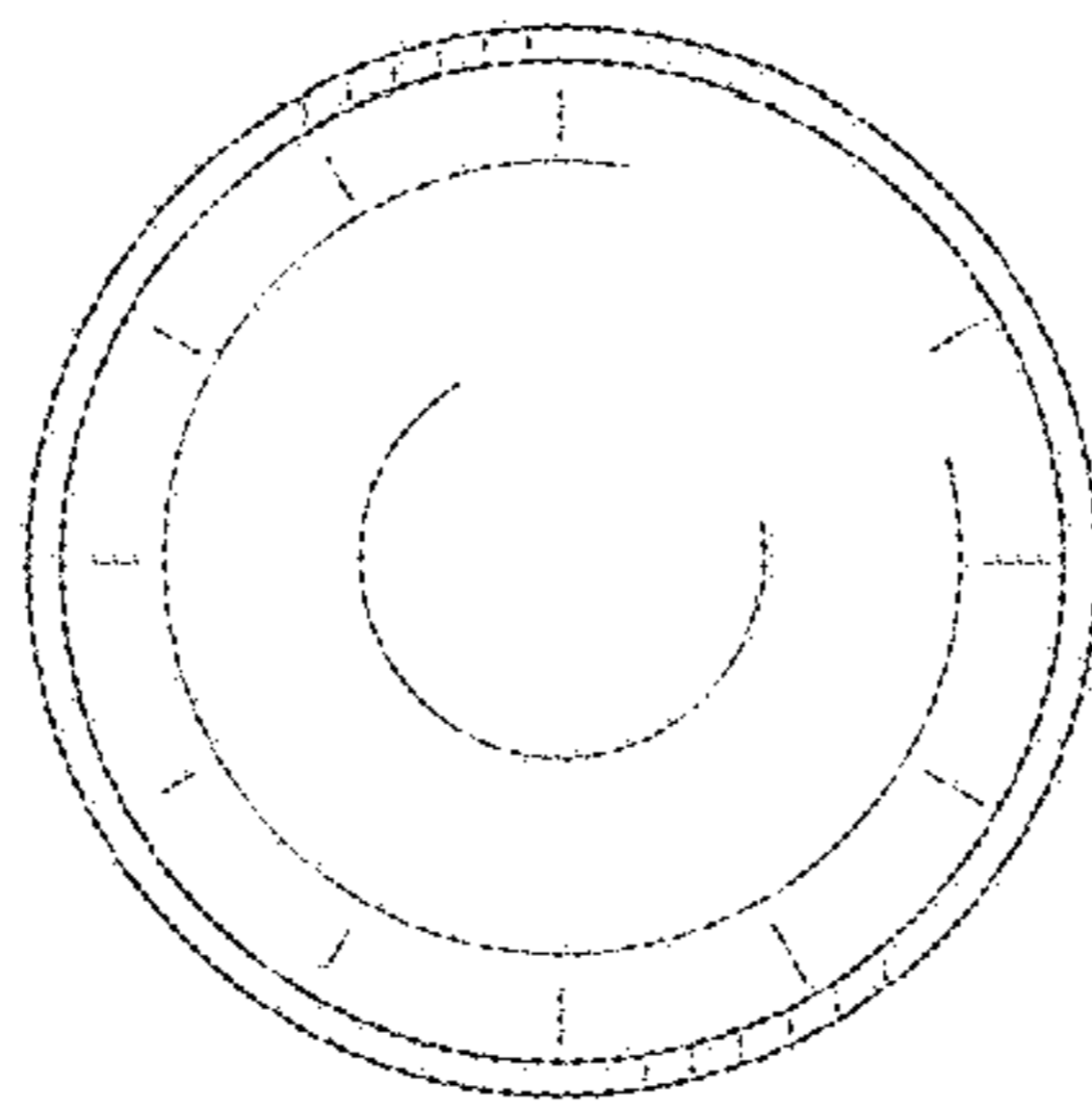




FIG. 8

