



US00D834562S

(12) **United States Design Patent** (10) **Patent No.:** **US D834,562 S**  
**Dauids** (45) **Date of Patent:** **\*\* Nov. 27, 2018**

(54) **BASE STATION FOR WIRELESS HEADSET**

(71) Applicant: **Sennheiser Communications A/S,**  
Ballerup (DK)

(72) Inventor: **Søren Davids,** Ballerup (DK)

(73) Assignee: **SENNHEISER COMMUNICATIONS**  
A/S, Ballerup (DK)

(\*\*) Term: **15 Years**

(21) Appl. No.: **29/613,038**

(22) Filed: **Aug. 7, 2017**

(30) **Foreign Application Priority Data**

Feb. 8, 2017 (EM) ..... 003744168-0001  
Feb. 8, 2017 (EM) ..... 003744168-0002

(51) **LOC (11) Cl.** ..... **14-02**

(52) **U.S. Cl.**  
USPC ..... **D14/224**

(58) **Field of Classification Search**  
USPC ..... D14/224-229, 115, 149, 167, 238, 243,  
D14/249, 497; D16/244; D17/99;  
D6/681; 248/125.1, 166, 185.1;  
381/355, 359, 361-363, 365, 366, 369,  
381/375; 379/428.01, 428.04, 431,  
379/433.03  
CPC . H04R 25/00; H04R 1/02; H04R 5/02; H04R  
9/08; F16M 11/38; F16M 13/00; F16M  
11/00  
See application file for complete search history.

(56) **References Cited**

U.S. PATENT DOCUMENTS

D227,786 S \* 7/1973 Taylor ..... D14/227  
3,854,016 A \* 12/1974 Cook ..... H01H 19/60  
200/329

D677,261 S \* 3/2013 Hsu ..... D14/447  
D692,010 S \* 10/2013 Verghese ..... D14/447  
D717,306 S \* 11/2014 Clouser ..... D14/447  
D756,367 S \* 5/2016 Kim ..... D14/447  
D762,650 S \* 8/2016 Dang ..... D14/434  
D765,623 S \* 9/2016 Yang ..... D14/224  
D780,186 S \* 2/2017 Lee ..... D14/253  
D780,187 S \* 2/2017 Lee ..... D14/253  
D799,494 S \* 10/2017 Lee ..... D14/447  
D811,414 S \* 2/2018 Lee ..... D14/447  
2017/0093200 A1 \* 3/2017 Green ..... H02J 7/025

\* cited by examiner

*Primary Examiner* — Katie Jane Stofko

(74) *Attorney, Agent, or Firm* — Birch, Stewart, Kolasch  
& Birch, LLP

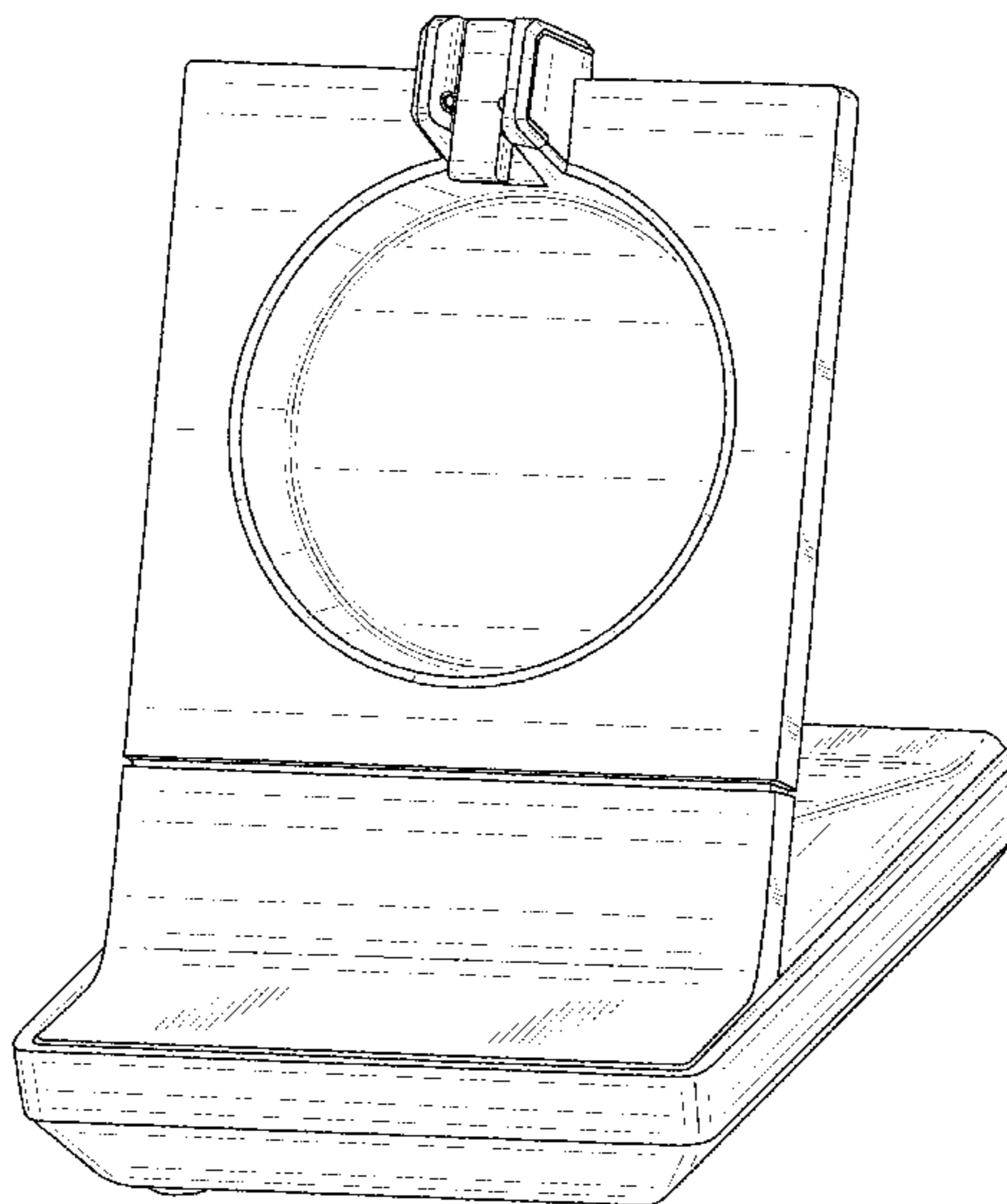
(57) **CLAIM**

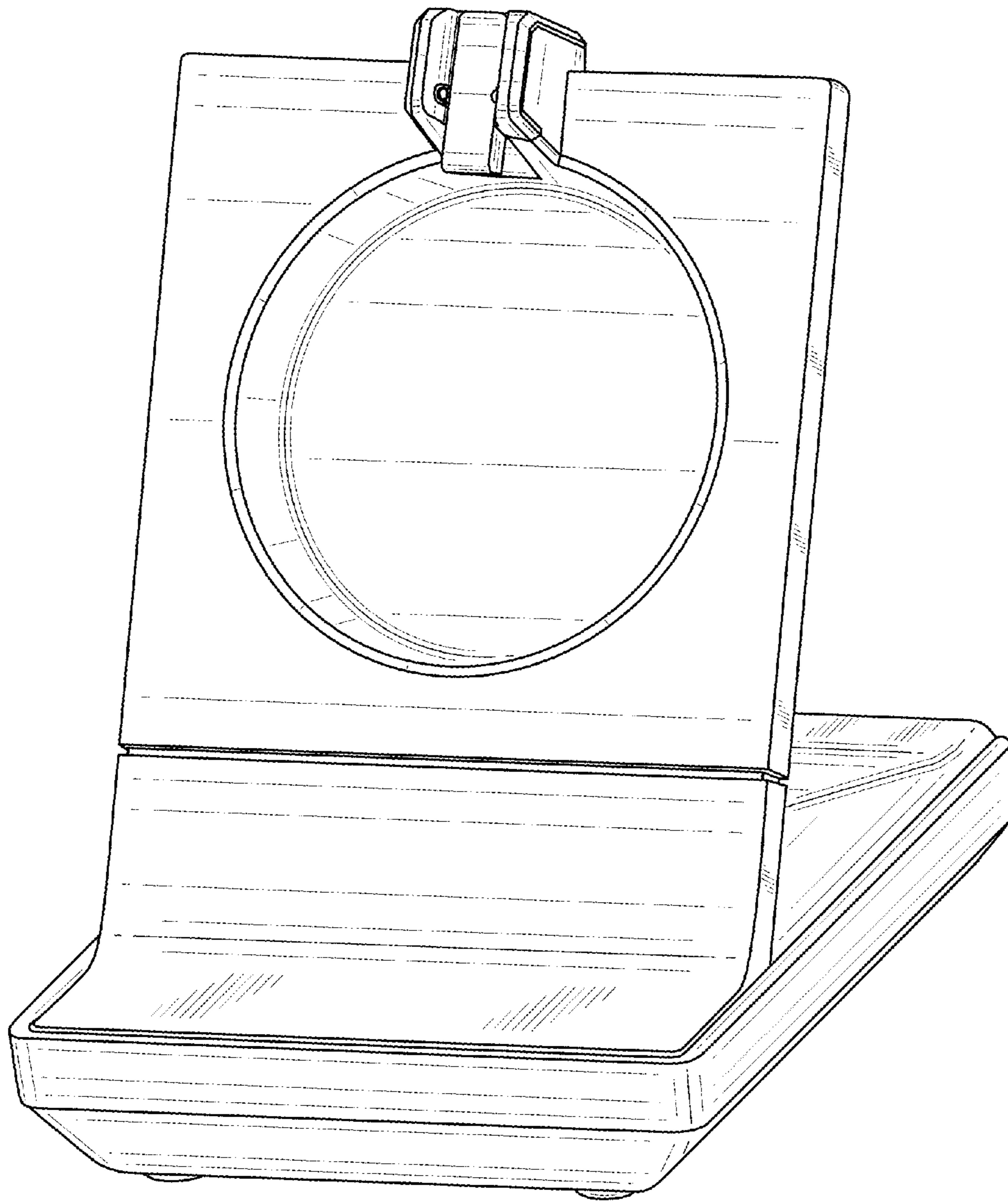
The ornamental design for a base station for wireless head-  
set, as shown and described.

**DESCRIPTION**

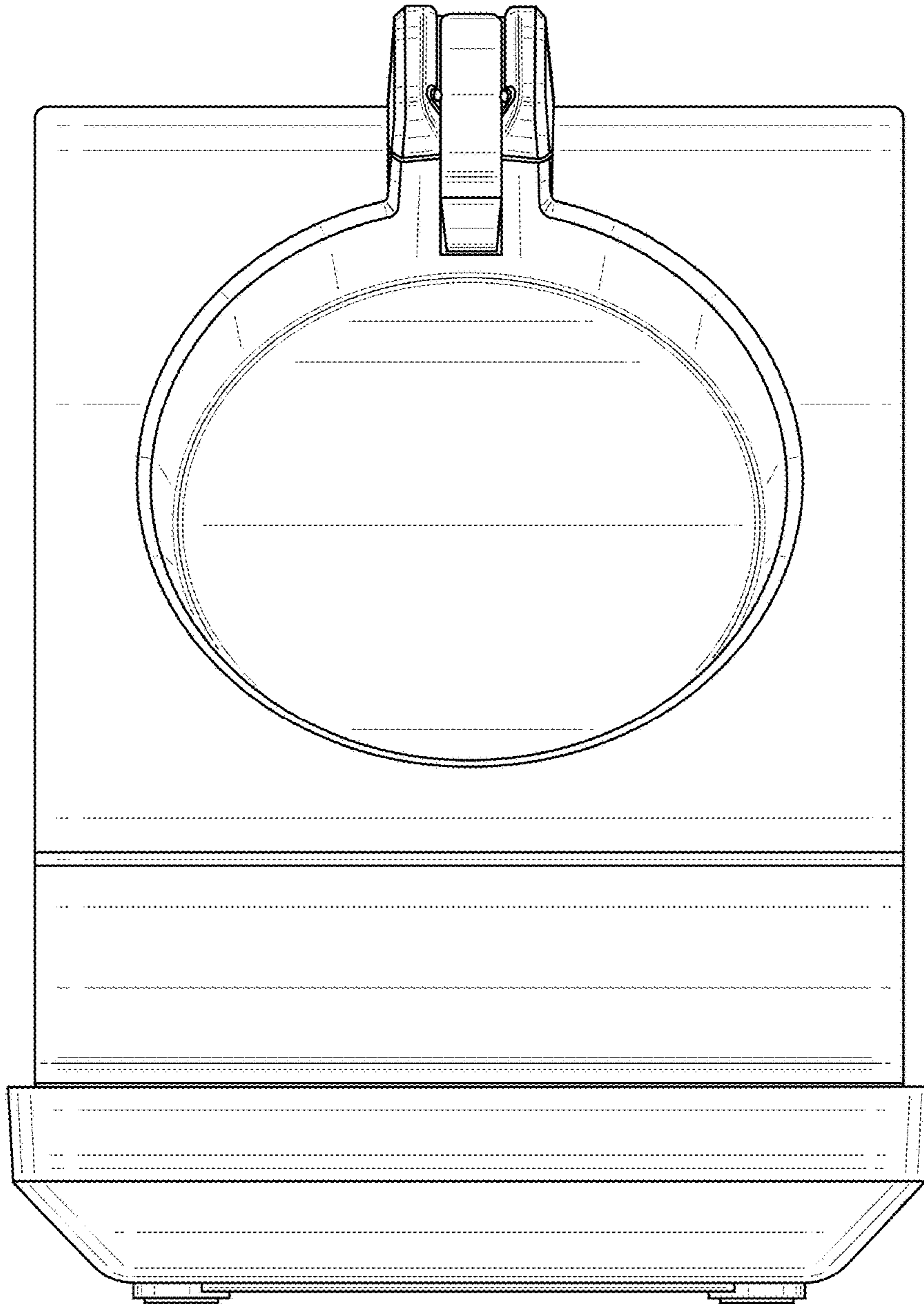
FIG. 1 is a perspective view of a base station for wireless headset;  
FIG. 2 is a front view of the base station for wireless headset;  
FIG. 3 is a rear view of the base station for wireless headset;  
FIG. 4 is a left side view of the base station for wireless headset;  
FIG. 5 is a right side view of the base station for wireless headset;  
FIG. 6 is a top view of the base station for wireless headset;  
FIG. 7 is a bottom view of the base station for wireless headset; and,  
FIG. 8 is another perspective view of the base station for wireless headset.

**1 Claim, 8 Drawing Sheets**

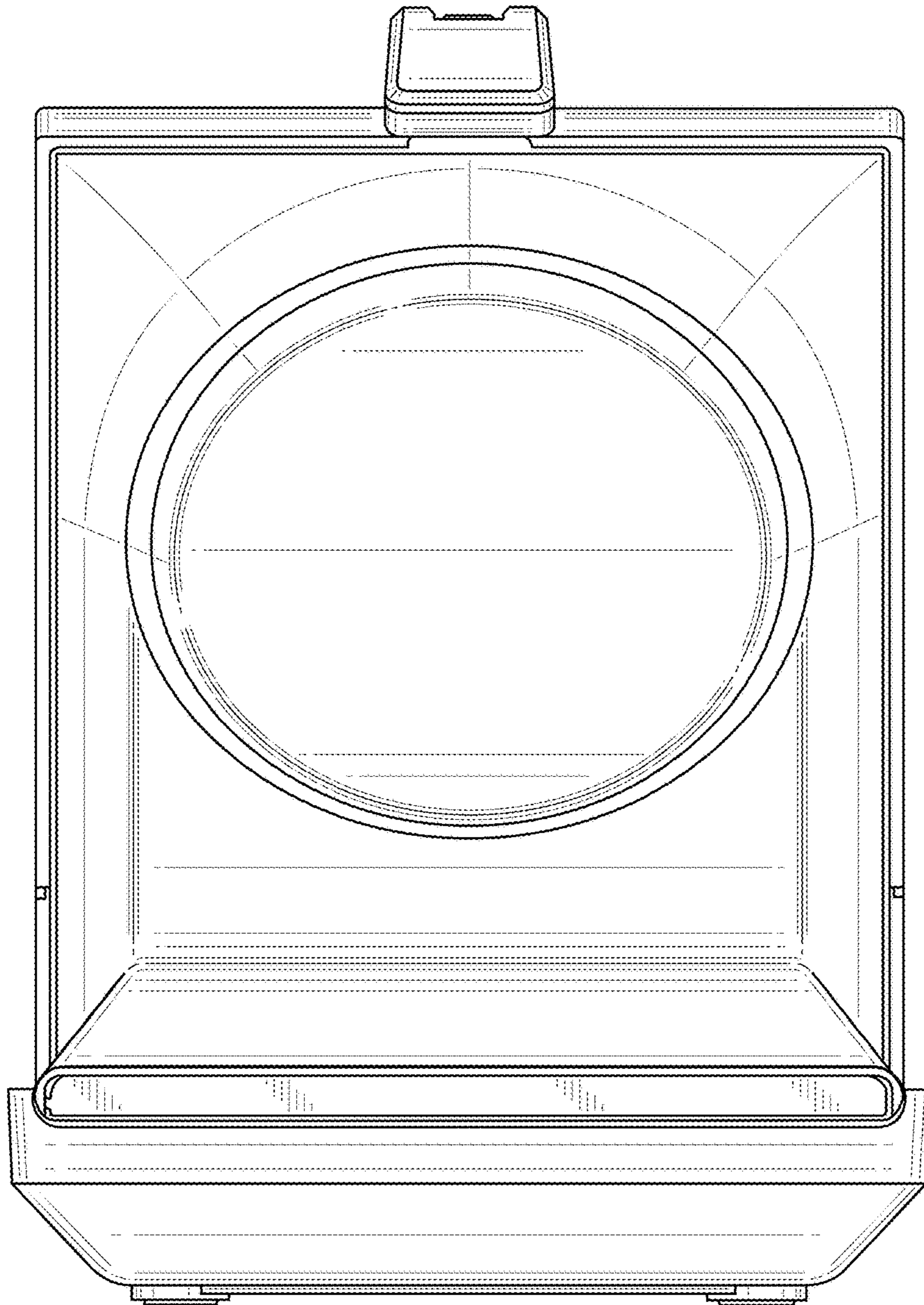




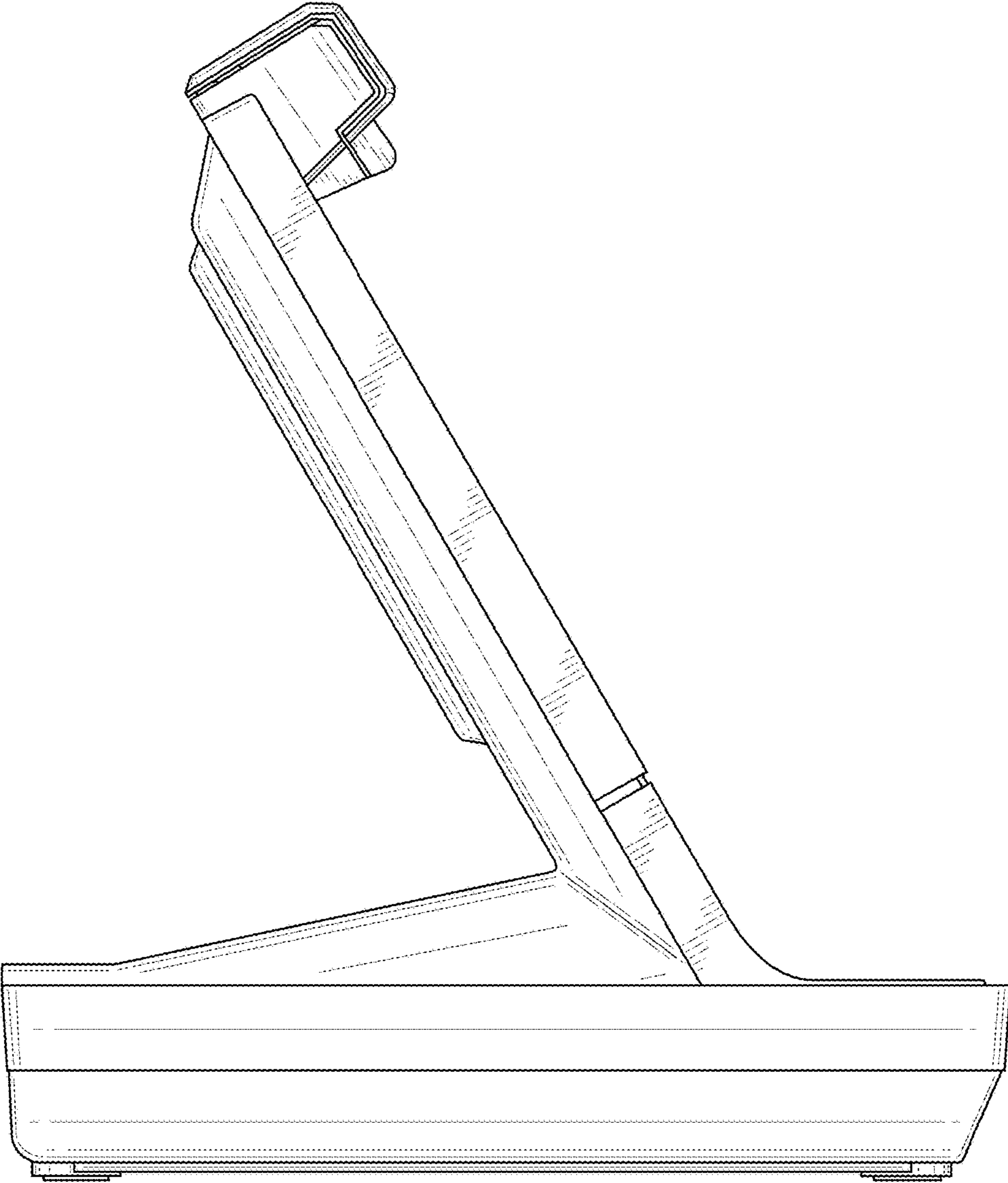
**FIG. 1**



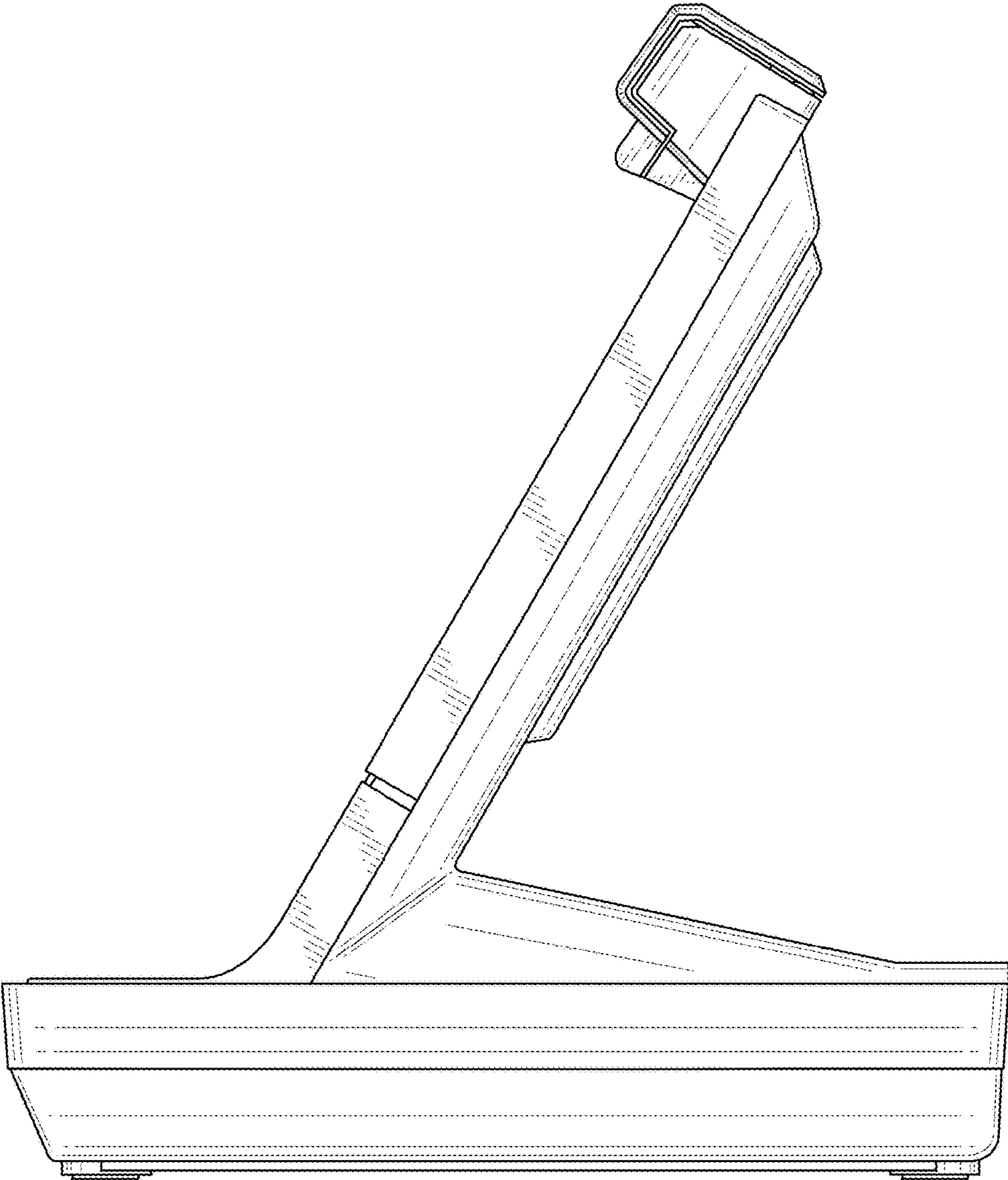
**FIG. 2**



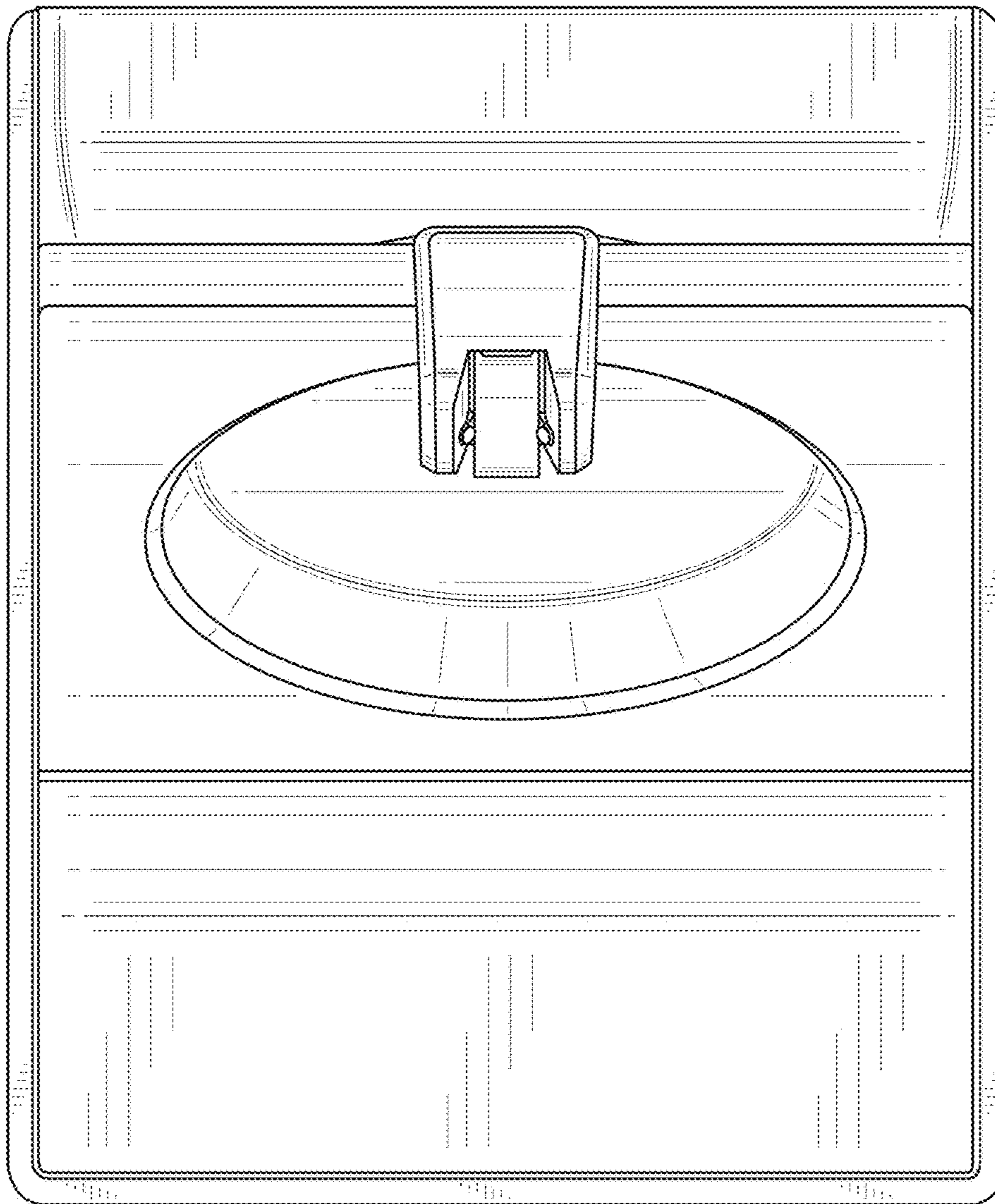
**FIG. 3**



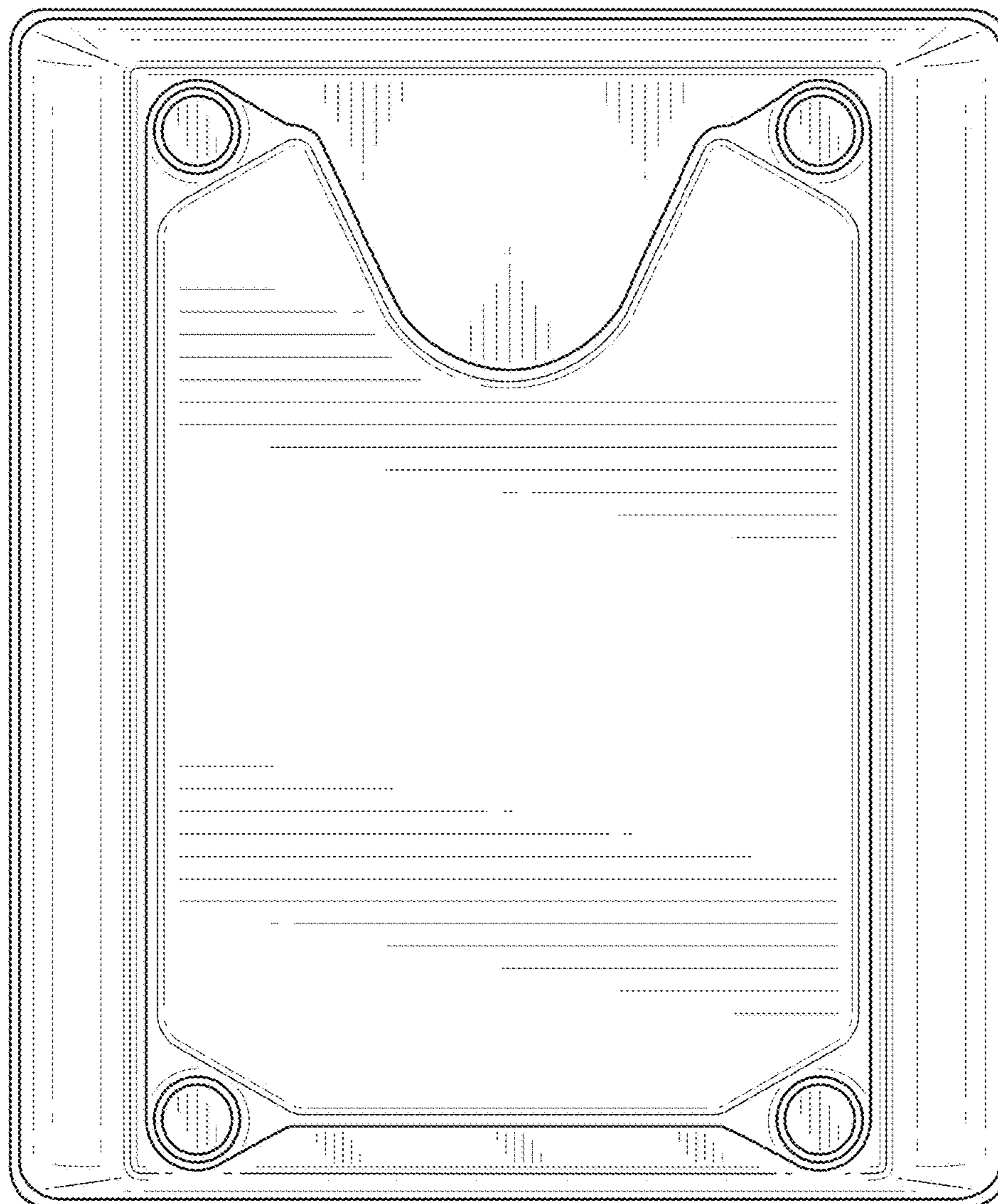
**FIG. 4**



**FIG. 5**

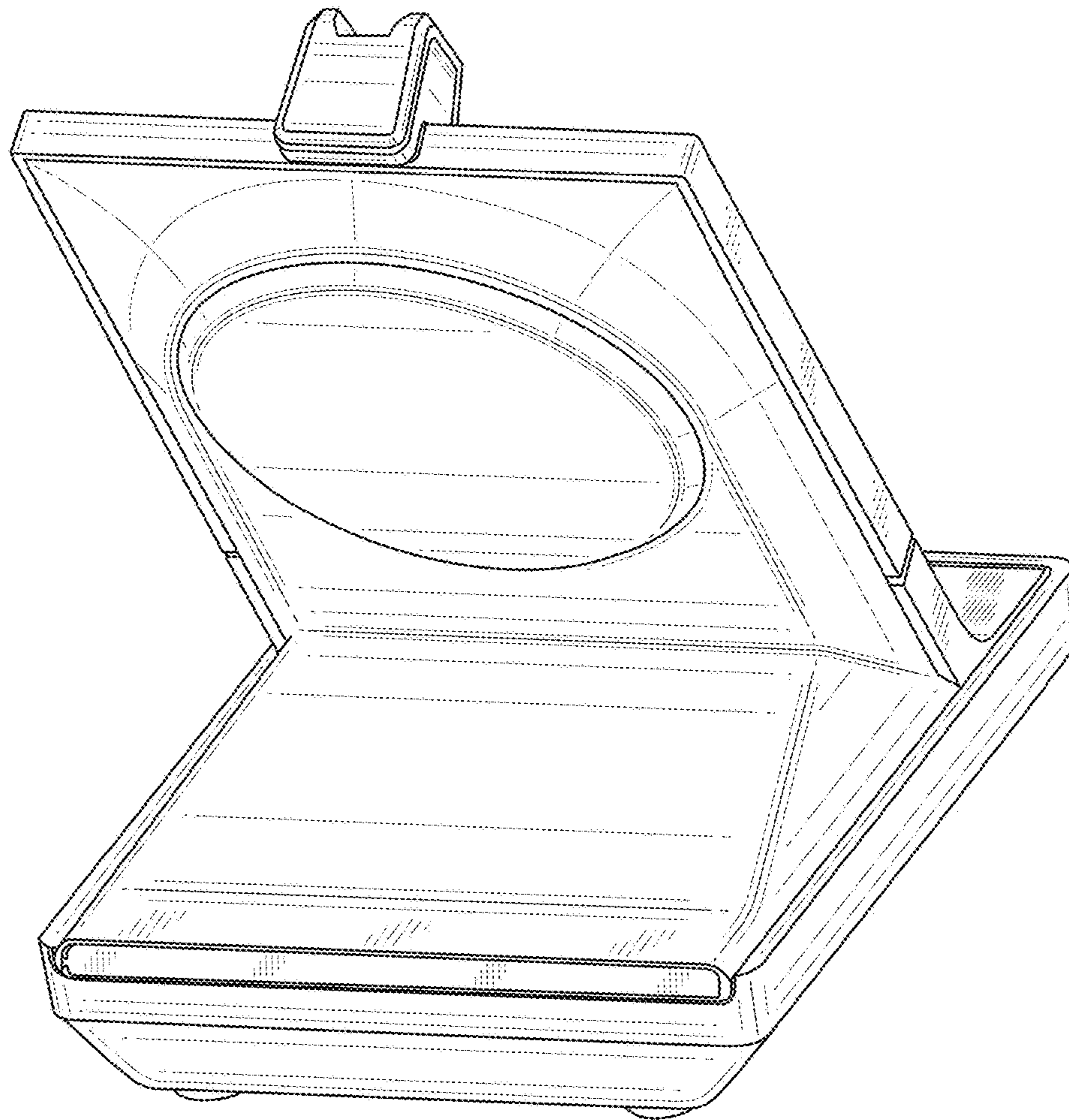


**FIG. 6**



**FIG. 7**





**FIG. 8**