



US00D834560S

(12) **United States Design Patent** (10) **Patent No.:** **US D834,560 S**  
**Hardi** (45) **Date of Patent:** **\*\* Nov. 27, 2018**

(54) **SMART REMOTE**  
(71) Applicant: **Muzik LLC**, Miami Beach, FL (US)  
(72) Inventor: **Jason Hardi**, Miami Beach, FL (US)  
(73) Assignee: **Muzik Inc.**, West Hollywood, CA (US)  
(\*\*) Term: **15 Years**  
(21) Appl. No.: **29/583,749**  
(22) Filed: **Nov. 8, 2016**  
(51) **LOC (11) Cl.** ..... **14-03**  
(52) **U.S. Cl.**  
USPC ..... **D14/218**  
(58) **Field of Classification Search**  
USPC ..... D14/218; D13/168; D21/566; D10/104,  
D10/106  
CPC ..... G05D 1/0038; G08C 23/04; G08C 17/02;  
H04N 5/23203; H04N 7/142; H03G 9/02;  
H03G 3/001; H03G 1/02; H03G 3/04  
See application file for complete search history.

D733,889 S \* 7/2015 Brandis ..... D24/174  
D738,858 S \* 9/2015 Tuhkanen ..... D14/218  
D746,165 S \* 12/2015 Li ..... D10/104.1  
D756,333 S \* 5/2016 Smith ..... D13/168  
D768,114 S \* 10/2016 Hou ..... D13/168  
D768,631 S \* 10/2016 Epstein ..... D14/388  
9,456,686 B2 \* 10/2016 Epstein ..... H04N 5/268  
D773,947 S \* 12/2016 Scarcella ..... D10/104.1  
D784,259 S \* 4/2017 Huang ..... D13/108  
D796,434 S \* 9/2017 Li ..... D13/108  
9,804,693 B2 \* 10/2017 Long ..... G06F 3/044  
D811,360 S \* 2/2018 Kester ..... D14/138 R  
D813,761 S \* 3/2018 Balaresque ..... D12/174  
D816,667 S \* 5/2018 Hardi ..... D14/344  
2003/0122698 A1 \* 7/2003 Horie ..... G06F 3/0231  
341/176  
2005/0205393 A1 \* 9/2005 Bricaud ..... H01H 25/002  
200/5 R  
2007/0291013 A1 \* 12/2007 Won ..... G06F 3/03547  
345/173  
2010/0053464 A1 \* 3/2010 Otsuka ..... G08C 17/02  
348/734

\* cited by examiner

*Primary Examiner* — John Windmuller  
(74) *Attorney, Agent, or Firm* — Ward and Smith, P.A.

(56) **References Cited**

U.S. PATENT DOCUMENTS

D497,882 S \* 11/2004 Huang ..... D13/168  
D513,940 S \* 1/2006 Kolflat ..... D7/624.1  
D526,973 S \* 8/2006 Gates ..... D13/168  
D596,622 S \* 7/2009 Lee ..... D14/218  
D607,852 S \* 1/2010 Riede ..... D13/171  
D618,667 S \* 6/2010 Chiu ..... D14/218  
D619,121 S \* 7/2010 Feldstein ..... D14/218  
D632,265 S \* 2/2011 Choi ..... D13/168  
D636,380 S \* 4/2011 Valeur ..... D14/218  
D643,412 S \* 8/2011 Brady ..... D14/218  
RE42,686 E \* 9/2011 Shimizu ..... D13/168  
8,188,842 B2 \* 5/2012 Otsuka ..... G08C 17/02  
340/12.15  
D697,475 S \* 1/2014 Regole ..... D13/108  
D700,904 S \* 3/2014 Miller ..... D13/168

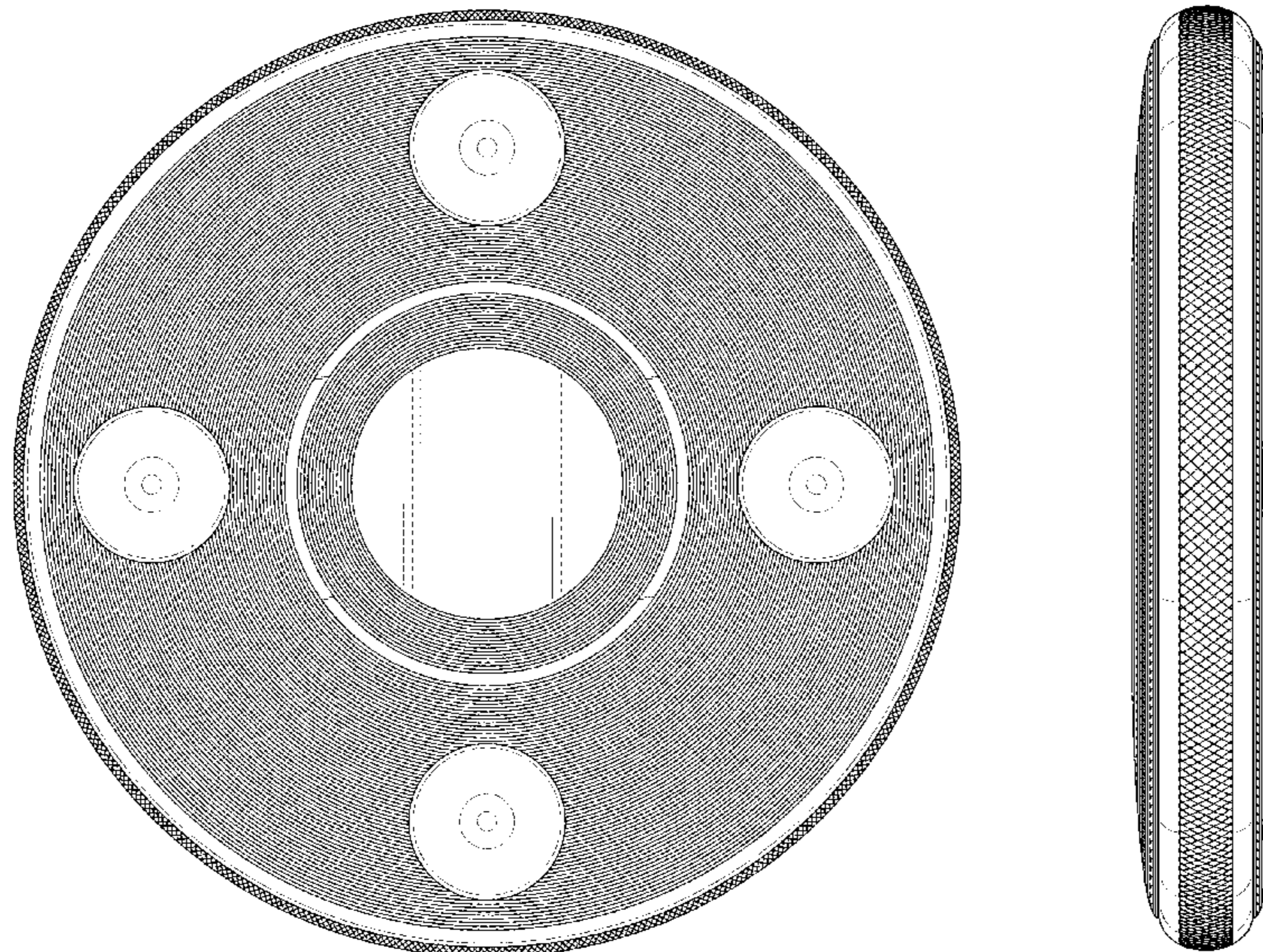
(57) **CLAIM**

The ornamental design for a smart remote, as shown and described.

**DESCRIPTION**

FIG. 1 is a perspective view of a smart remote showing my new design;  
FIG. 2 is a front view thereof;  
FIG. 3 is a rear view thereof;  
FIG. 4 is a side view thereof;  
FIG. 5 is an opposing side view thereof;  
FIG. 6 is a top view thereof; and,  
FIG. 7 is a bottom view thereof.

**1 Claim, 7 Drawing Sheets**



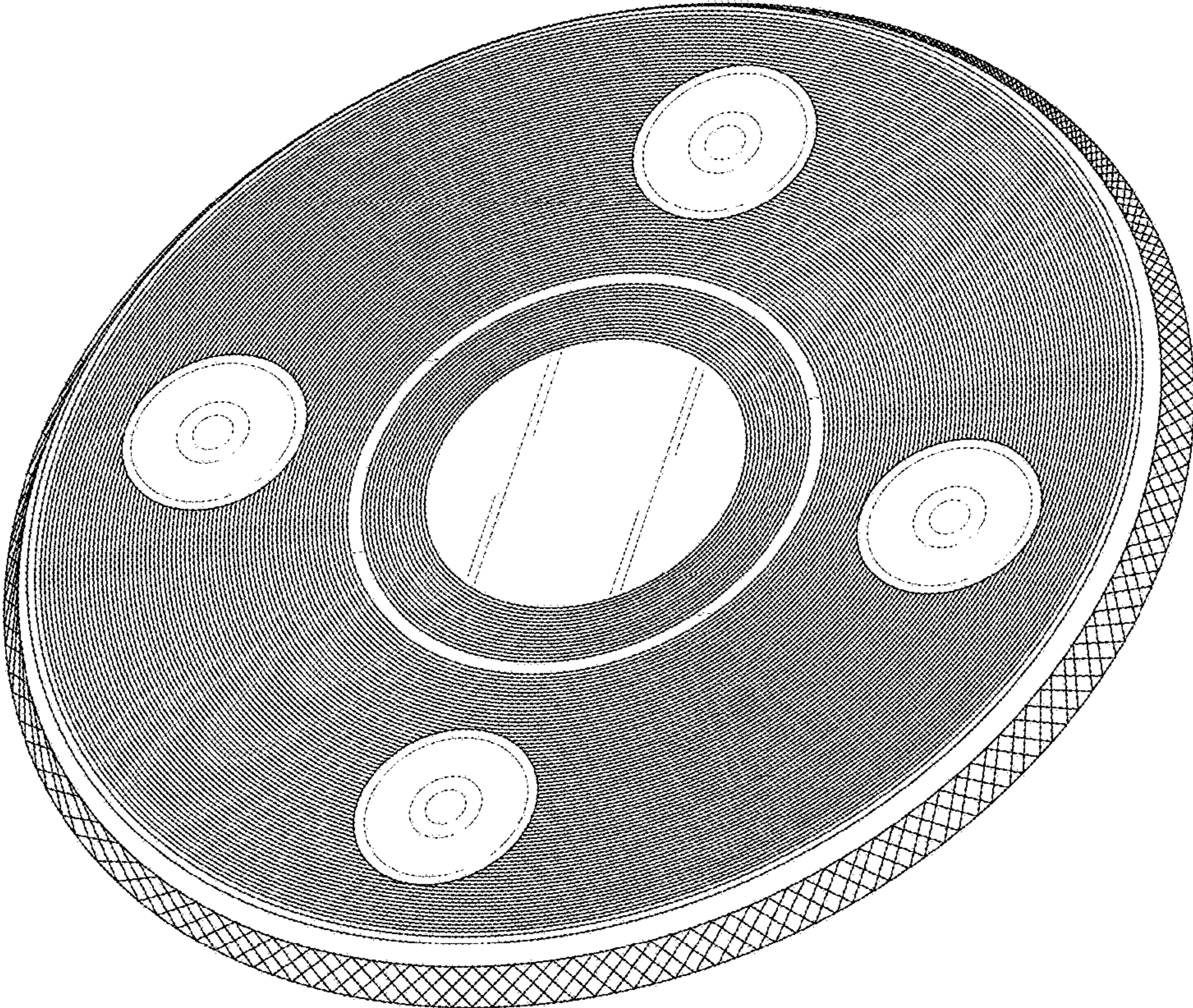
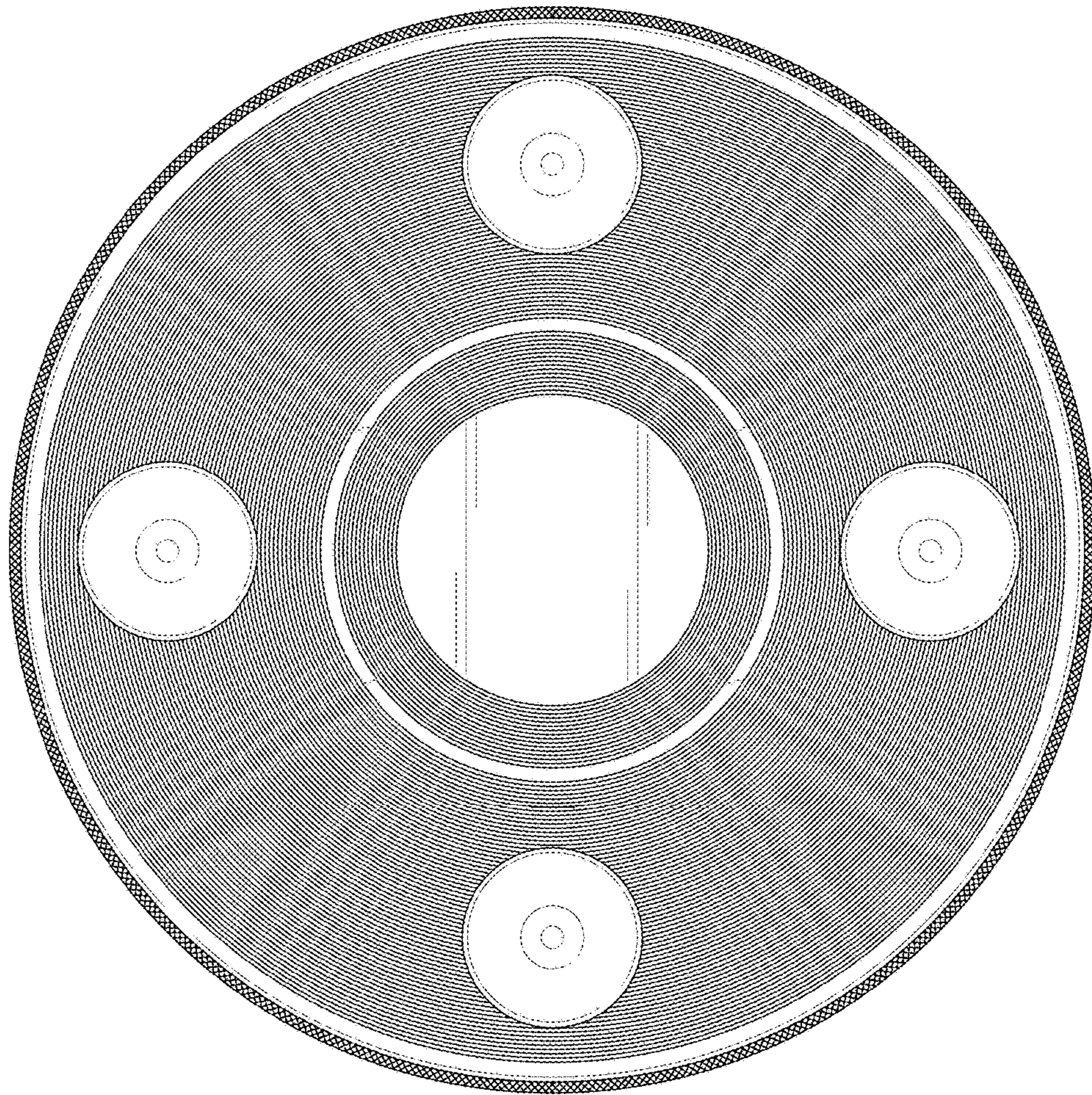
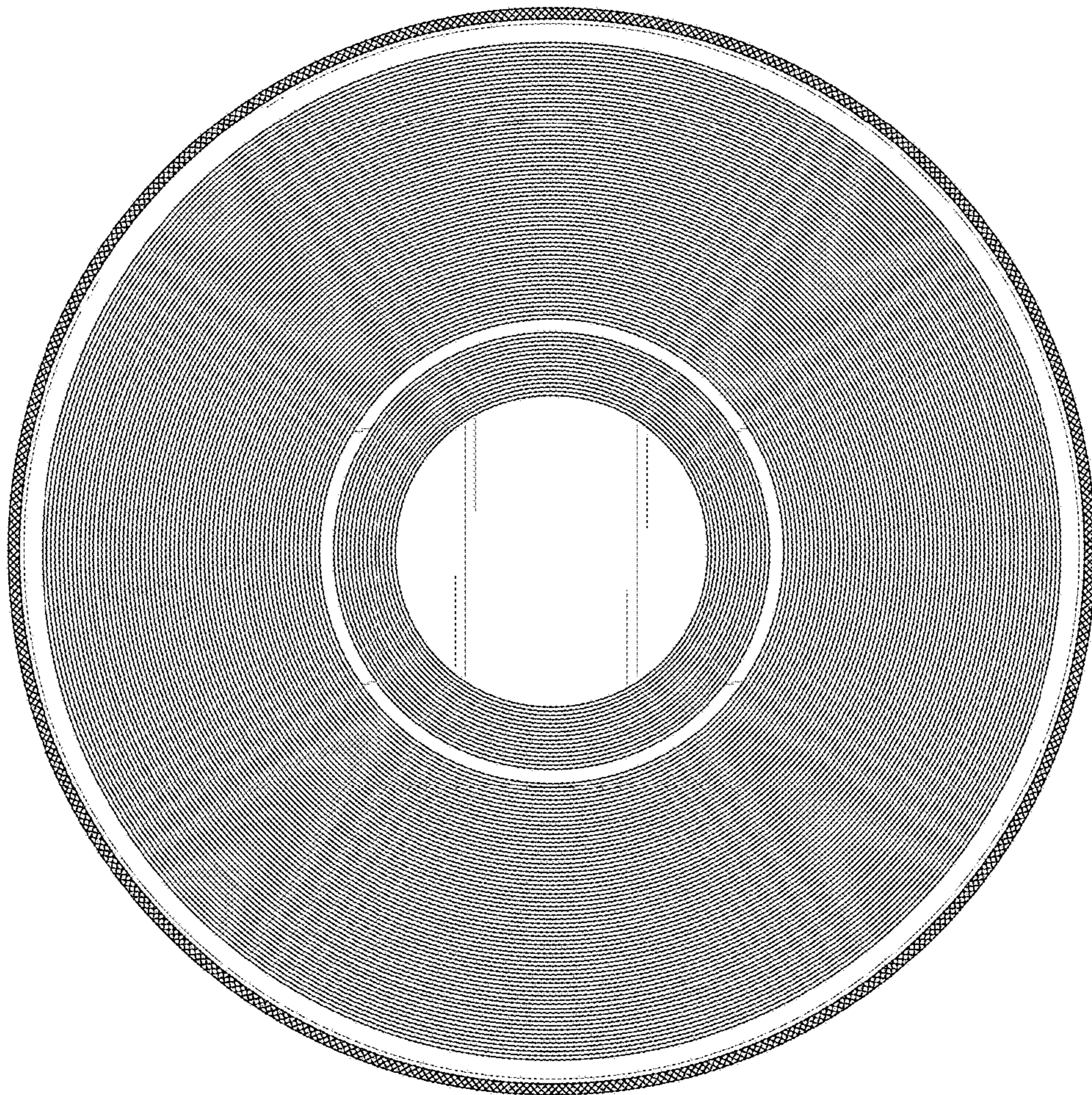


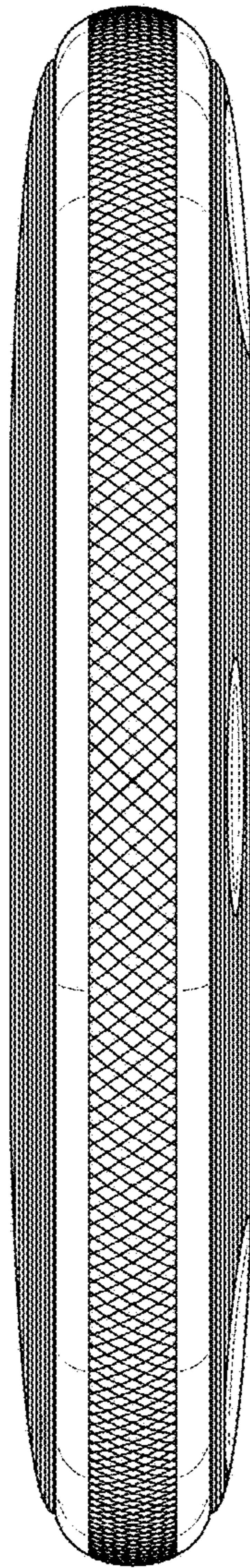
Fig. 1



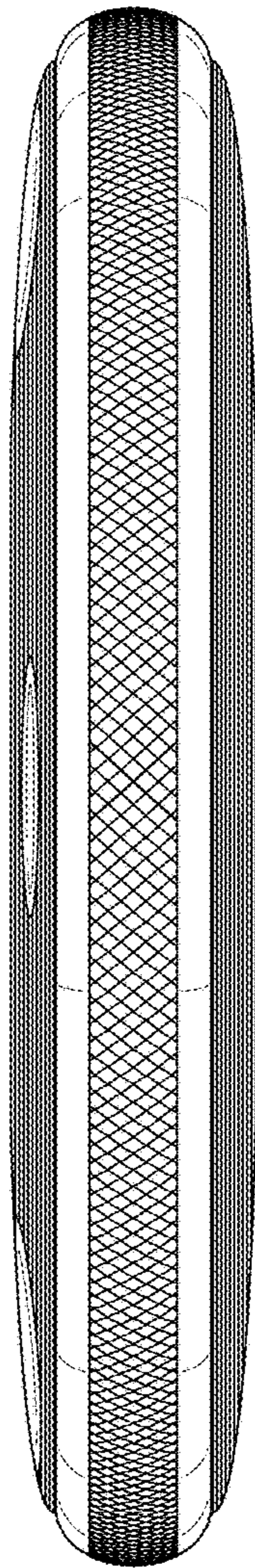
*Fig. 2*



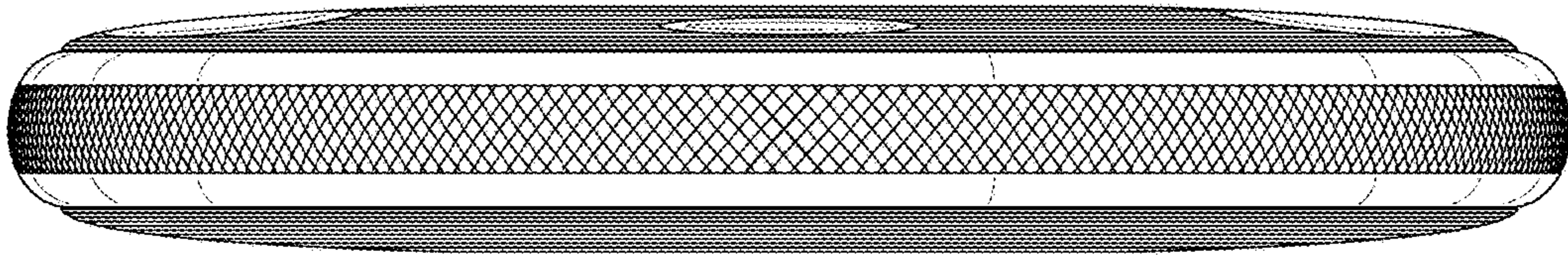
*Fig. 3*



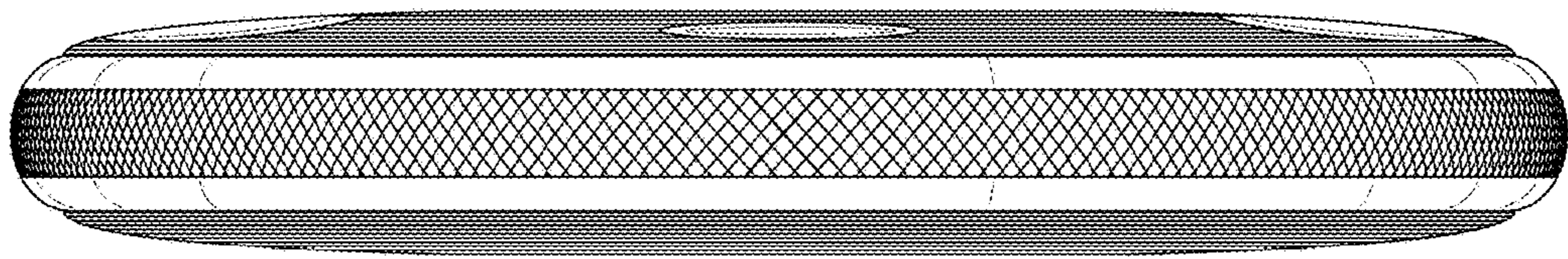
*Fig. 4*



*Fig. 5*



*Fig. 6*



*Fig. 7*