



US00D834559S

(12) **United States Design Patent** (10) **Patent No.:** **US D834,559 S**
Zhang (45) **Date of Patent:** **** Nov. 27, 2018**

(54) **SOUND DEVICE**

(71) Applicant: **Creative Technology Ltd**, Singapore (SG)

(72) Inventor: **Ting Ting Zhang**, Singapore (SG)

(73) Assignee: **Creative Technology Ltd**, Singapore (SG)

(**) Term: **15 Years**

(21) Appl. No.: **29/589,449**

(22) Filed: **Dec. 30, 2016**

(51) **LOC (11) Cl.** **14-03**

(52) **U.S. Cl.**
USPC **D14/214**

(58) **Field of Classification Search**
 USPC D14/167, 168, 170–172, 188, 194–196, D14/204, 207, 209.1, 210–216, 219, 221, D14/222, 224, 239, 496; 181/143, 144, 181/147, 148, 150, 153, 157, 198, 199; 381/300–303, 306, 332, 333, 336, 345, 381/361–364, 386–388; 369/6–12
 CPC B60R 11/0217; G06F 1/1688; G10K 9/22; G10K 11/004; H03F 1/327; H04M 1/03; H04M 1/035; H04N 5/642; H04N 21/4852; H04R 1/02; H04R 1/06; H04R 1/021; H04R 1/025; H04R 1/026; H04R 1/028; H04R 1/105; H04R 1/323; H04R 1/403; H04R 1/2803; H04R 1/2834; H04R 5/02; H04R 7/20; H04R 9/06; H04R 9/025; H04R 2201/021; H04R 2400/00; H04R 2400/07; H04R 2499/11; H04R 2499/13; H04R 2499/15; H04S 3/00; H04S 7/30

See application file for complete search history.

(56) **References Cited**

U.S. PATENT DOCUMENTS

D693,329 S *	11/2013	Lee	D14/210
D707,203 S *	6/2014	Xie	D14/204
D734,739 S *	7/2015	Green	D14/214
D739,845 S *	9/2015	Hwang	D14/214
D768,598 S *	10/2016	Skelton	D14/203.1
D819,597 S *	6/2018	Hu	D14/214

OTHER PUBLICATIONS

iWandered.net; “Creative Muvo 2c Portable Bluetooth Speakers: Travel Gear Review”; <https://iwandered.net/2016/09/27/creative-muvo-2c-bluetooth-speakers/>; Sep. 27, 2016; 6pgs. (Year: 2016).*
 Amazon.com; “Creative Muvo 2 Portable Water-resistant Bluetooth Speaker with Built-in MP3 Player”; Jul. 26, 2016; <https://www.amazon.com>; 9pgs. (Year: 2016).*

* cited by examiner

Primary Examiner — Keli L Hill
 (74) *Attorney, Agent, or Firm* — Russell Swerdon; Desmond Gean

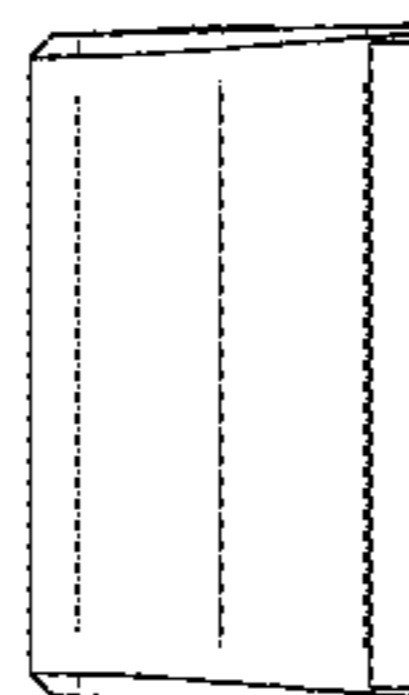
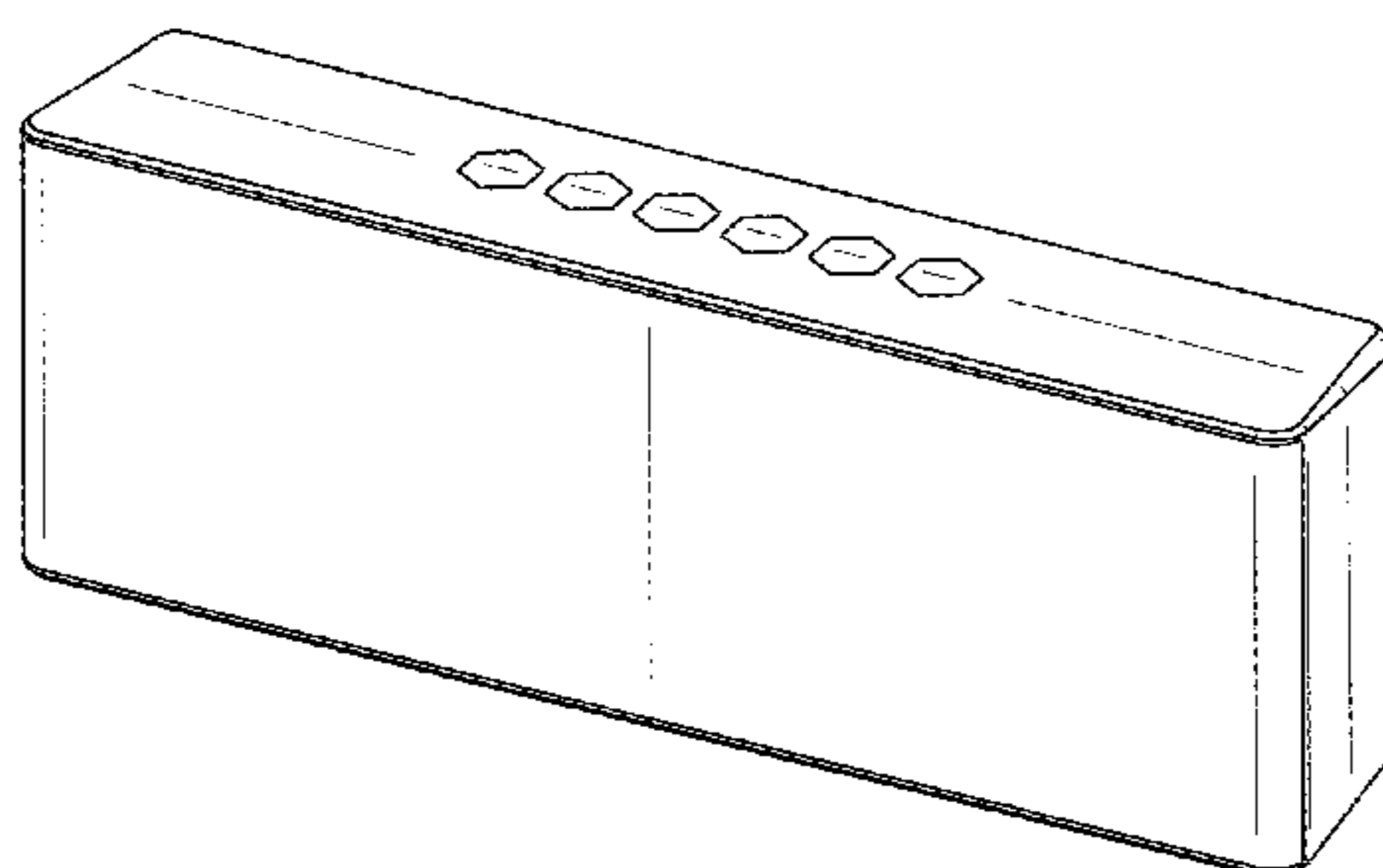
(57) **CLAIM**

The ornamental design for a sound device, substantially as shown and described.

DESCRIPTION

FIG. 1 is a front perspective view of a sound device showing our new design;
 FIG. 2 is a rear perspective view of the sound device in FIG. 1;
 FIG. 3 is a front view thereof;
 FIG. 4 is a rear view thereof;
 FIG. 5 is a left side view thereof;
 FIG. 6 is a right side view thereof;
 FIG. 7 is a top view thereof; and,
 FIG. 8 is a bottom view thereof.

1 Claim, 6 Drawing Sheets



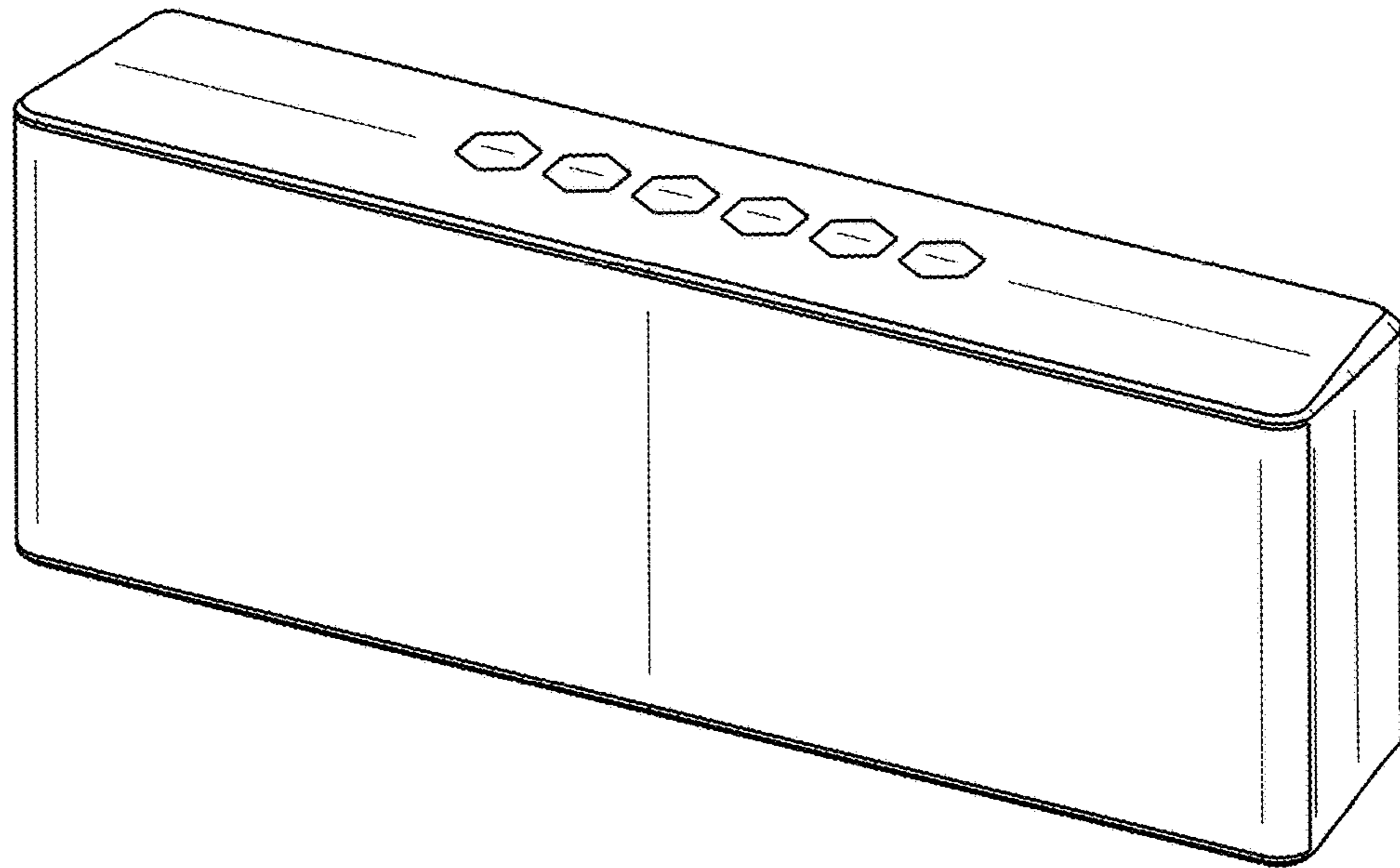


FIG. 1

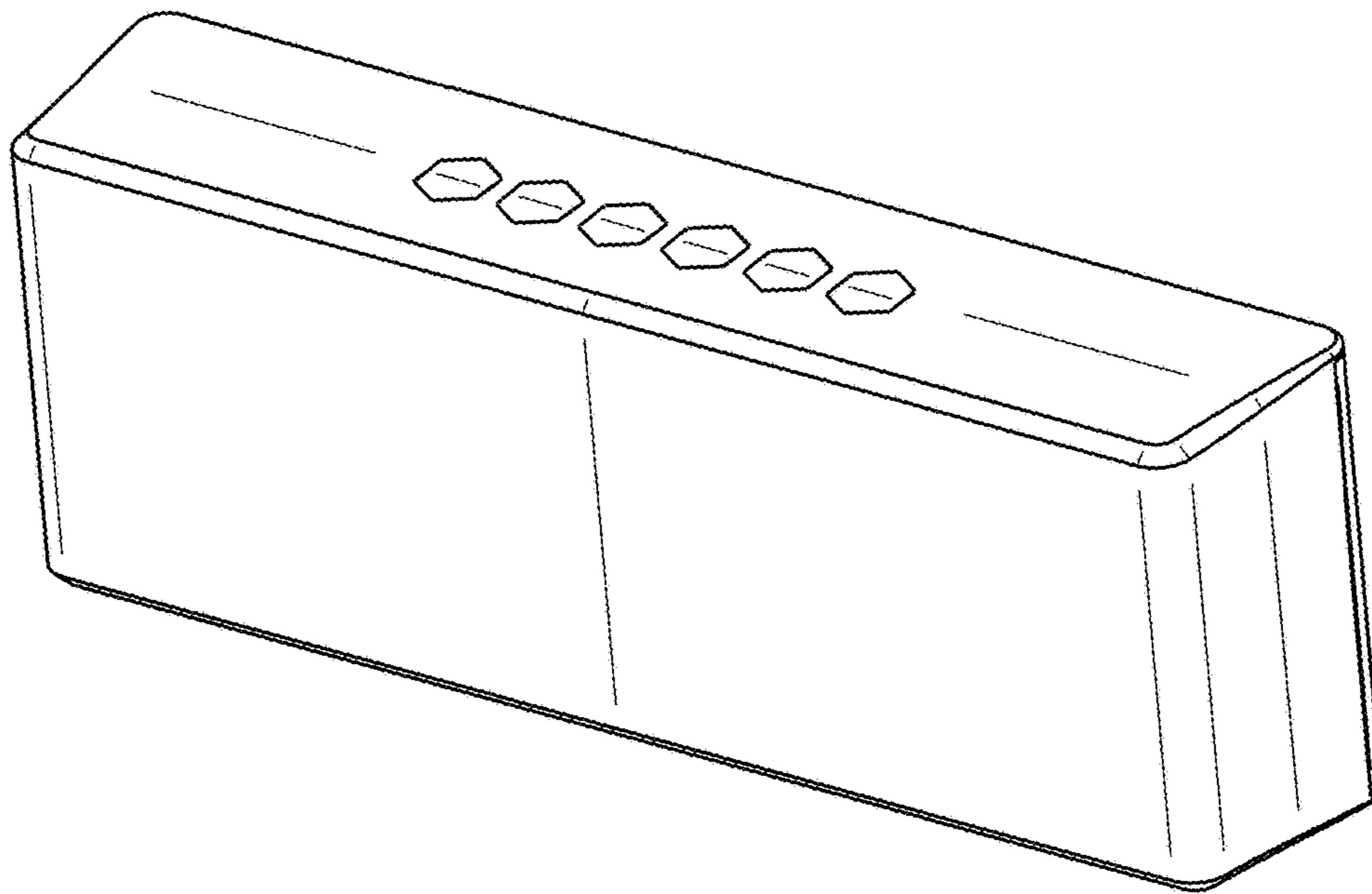


FIG. 2

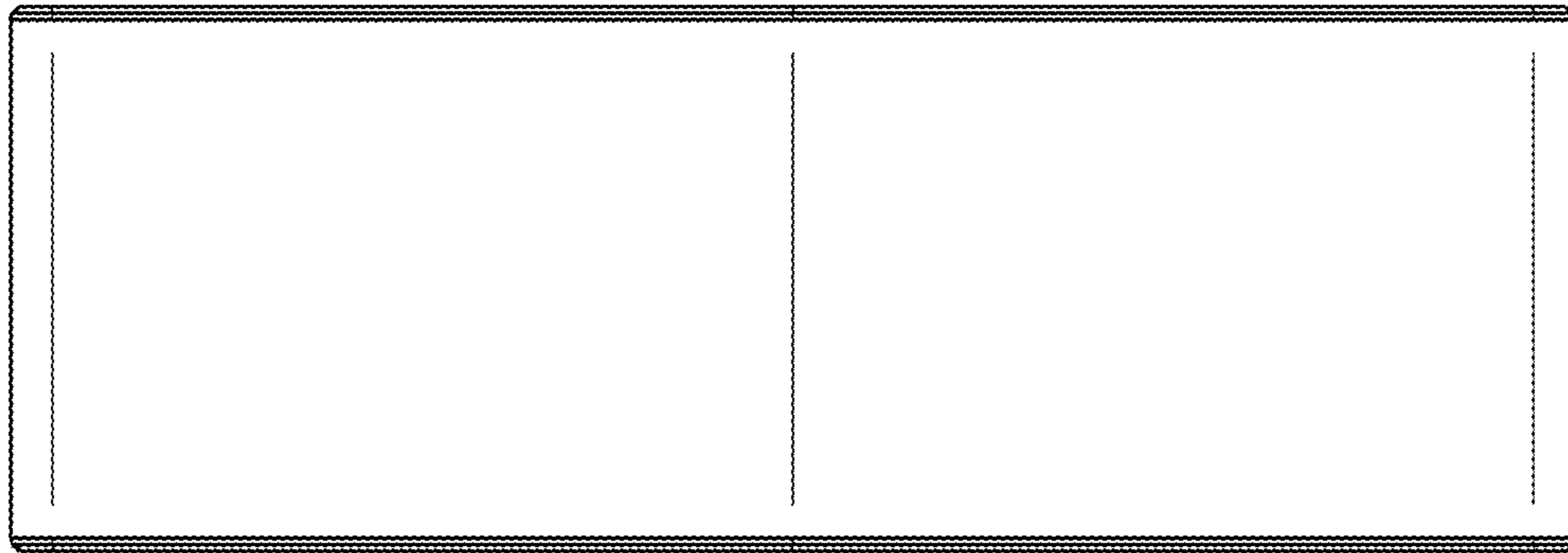


FIG. 3

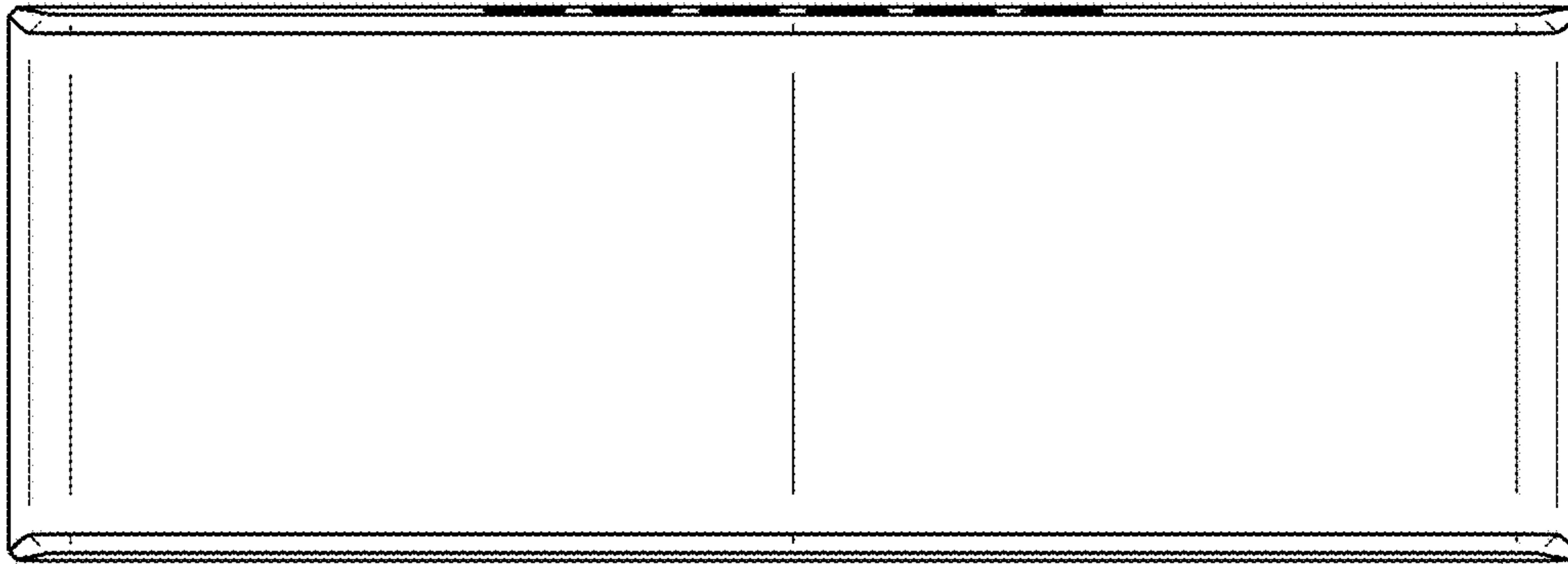


FIG. 4

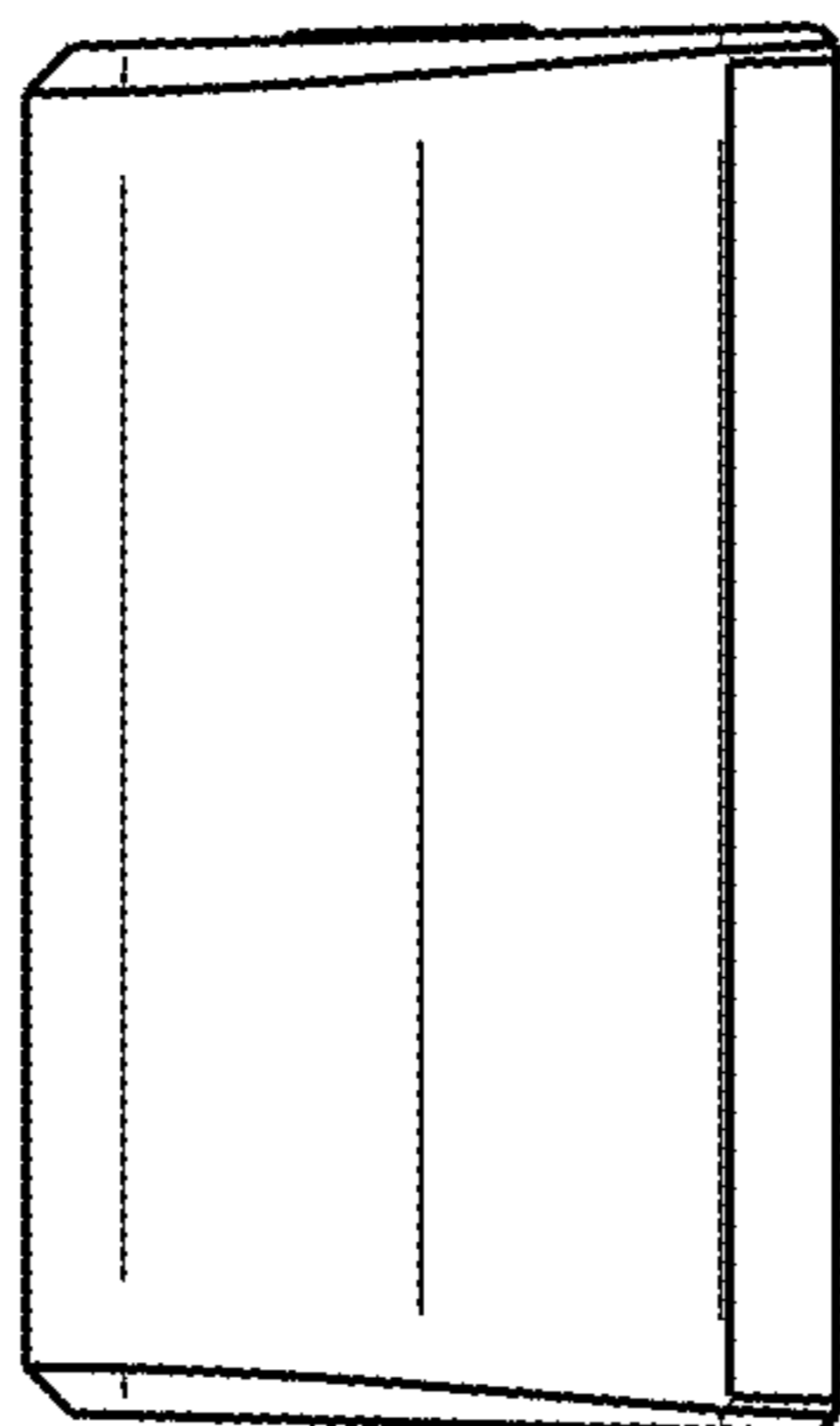


FIG. 5

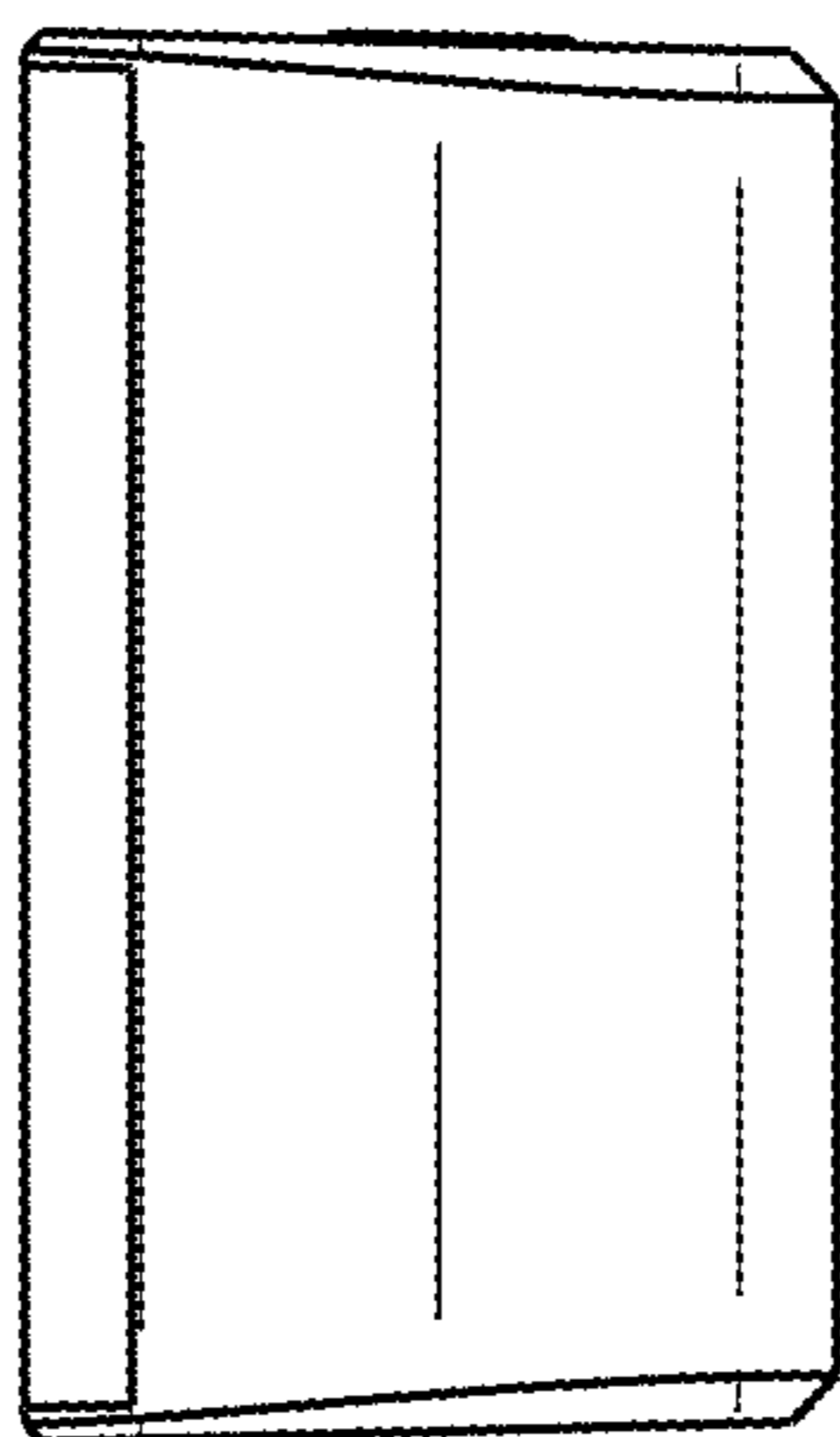


FIG. 6

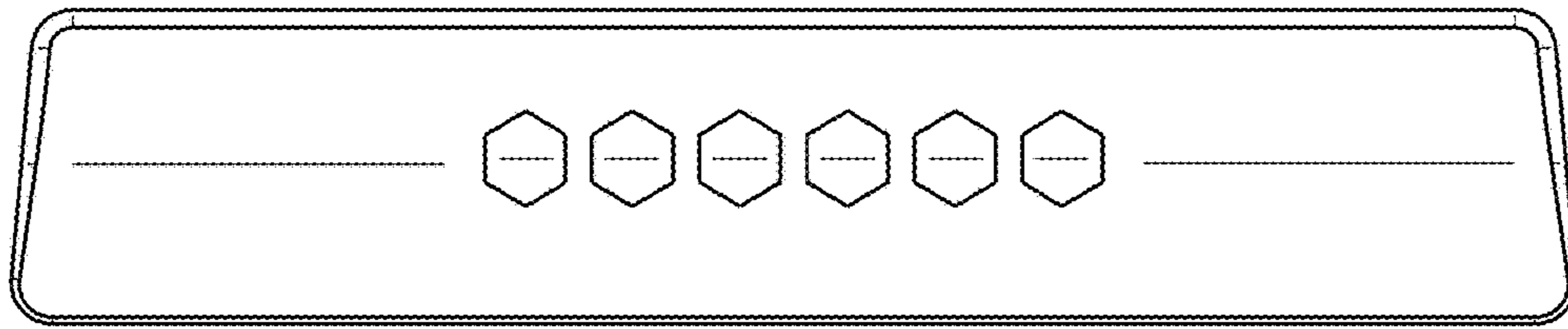


FIG. 7

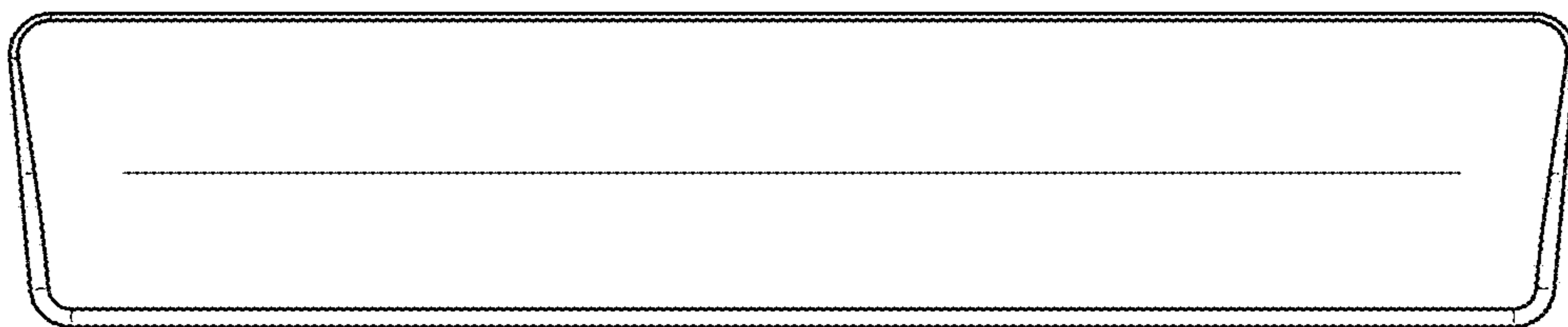


FIG. 8