



US00D834557S

(12) **United States Design Patent**
Hardi

(10) **Patent No.:** **US D834,557 S**

(45) **Date of Patent:** **** *Nov. 27, 2018**

(54) **INTERACTIVE HEADPHONES**

(71) Applicant: **Muzik Inc.**, Raleigh, NC (US)

(72) Inventor: **Jason Hardi**, Miami Beach, FL (US)

(73) Assignee: **Muzik LLC**, Raleigh, NC (US)

(*) Notice: This patent is subject to a terminal disclaimer.

(**) Term: **15 Years**

(21) Appl. No.: **29/582,241**

(22) Filed: **Oct. 26, 2016**

(51) **LOC (11) Cl.** **14-01**

(52) **U.S. Cl.**
USPC **D14/205**

(58) **Field of Classification Search**
USPC D14/205, 188, 192, 372; D29/112;
2/209; 181/129, 130, 135; 379/430, 431;
381/380, 381, 374, 375; 455/90.3, 575.1,
455/569.1; 345/7, 8
CPC H04R 1/1016; H04R 1/1066; H04R 25/00;
H04R 1/10; H04R 5/033; H04R 5/0335
See application file for complete search history.

(56) **References Cited**

U.S. PATENT DOCUMENTS

D246,519 S *	11/1977	Kato	D14/205
4,634,816 A *	1/1987	O'Malley	H04M 1/05 379/430
D297,324 S *	8/1988	Kohno	D14/205
D373,360 S *	9/1996	Kanno	D14/205
D375,312 S *	11/1996	Kanno	D14/205
D377,021 S *	12/1996	Isono	D14/205
D418,466 S *	1/2000	Hussaini	D12/125
D435,249 S *	12/2000	Yasutomi	D14/205
D567,215 S *	4/2008	Lee	D14/205
7,388,960 B2 *	6/2008	Kuo	H04R 1/1041 379/430

7,580,539 B2 *	8/2009	Tachikawa	H04R 1/1066 381/374
D691,109 S *	10/2013	Hardi	D14/205
D696,644 S *	12/2013	Sejpkka	D14/205
D706,240 S *	6/2014	Szymanski	H04R 1/1066 D14/205
D706,241 S *	6/2014	Szymanski	H04R 1/1066 D14/205
D706,242 S *	6/2014	Yang	H04R 1/1066 D14/205
D707,653 S *	6/2014	Hardi	H04R 1/10 D14/205
D712,375 S *	9/2014	Miyake	D14/205
D715,255 S *	10/2014	Nunez	D14/205

(Continued)

Primary Examiner — Paula Allen Greene

(74) *Attorney, Agent, or Firm* — Ward and Smith, P.A.

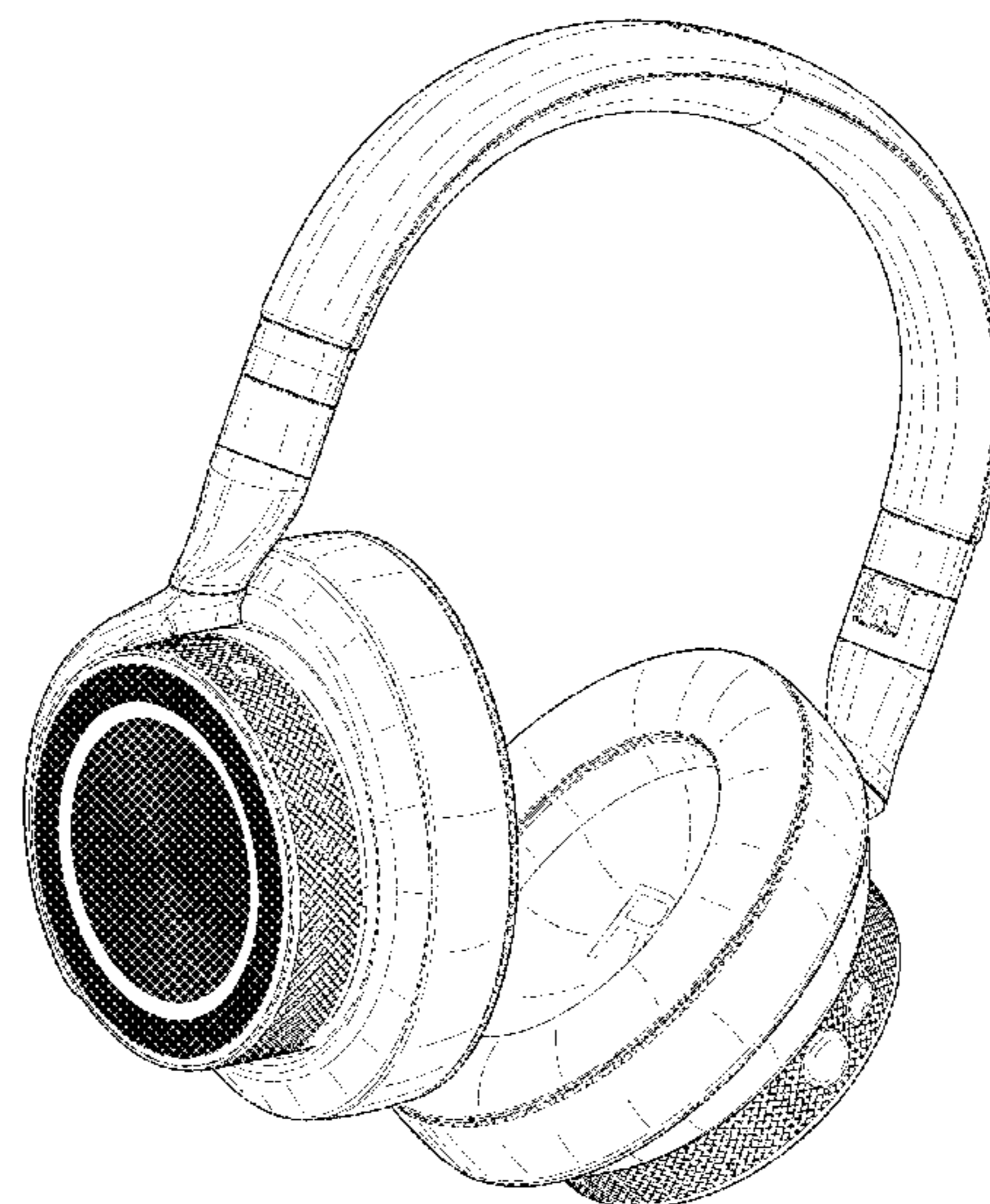
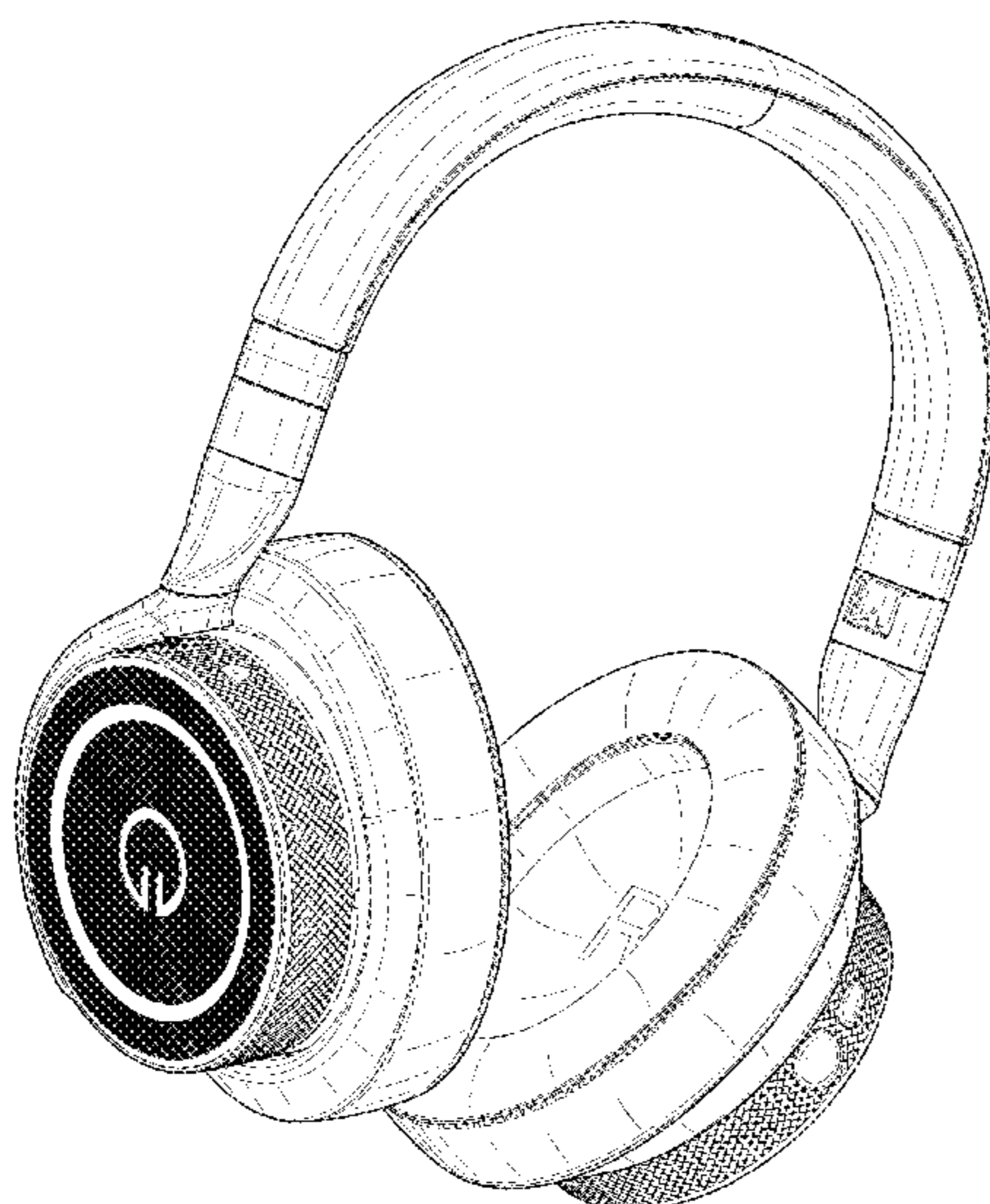
(57) **CLAIM**

The ornamental design for an interactive headphone, substantially as shown and described.

DESCRIPTION

FIG. 1 is an isometric view of a first embodiment of interactive headphones showing our design.
 FIG. 2 is a front view thereof.
 FIG. 3 is a back view thereof.
 FIG. 4 is a left side view thereof.
 FIG. 5 is a right side view thereof.
 FIG. 6 is a top view thereof.
 FIG. 7 is a bottom view thereof.
 FIG. 8 is an isometric view of a second embodiment of interactive headphones showing my new design.
 FIG. 9 is a front elevation view thereof.
 FIG. 10 is a rear elevation view thereof.
 FIG. 11 is a left side elevation view thereof.
 FIG. 12 is a right side elevation view thereof.
 FIG. 13 is a top plan view thereof; and,
 FIG. 14 is a top plan view thereof.

1 Claim, 10 Drawing Sheets



(56)

References Cited

U.S. PATENT DOCUMENTS

8,923,525 B2 * 12/2014 Saideh H04R 1/1033
381/309
D727,289 S * 4/2015 Czaniecki D14/205
D728,512 S * 5/2015 Nakagawa D14/205
9,161,117 B2 * 10/2015 Blonder H04R 1/1066
D746,790 S * 1/2016 Strasberg D14/205
D750,593 S * 3/2016 Hardi H04R 1/10
D14/205
D763,821 S * 8/2016 Leopardi D14/205
D765,055 S * 8/2016 Hsieh D14/205
D771,012 S * 11/2016 Wagner D14/205
D780,713 S * 3/2017 Szymanski D14/205
D781,265 S * 3/2017 Levine D14/205
D784,956 S * 4/2017 Homewood D14/205
D791,102 S * 7/2017 Katsuno D14/205
D797,074 S * 9/2017 Martin D14/205
2007/0165899 A1 * 7/2007 Garin H04R 1/1066
381/377
2011/0103609 A1 * 5/2011 Pelland H04M 1/0254
381/74
2016/0080853 A1 * 3/2016 Chen H04R 1/1041
381/74

* cited by examiner



FIG. 1



FIG. 2



FIG. 3

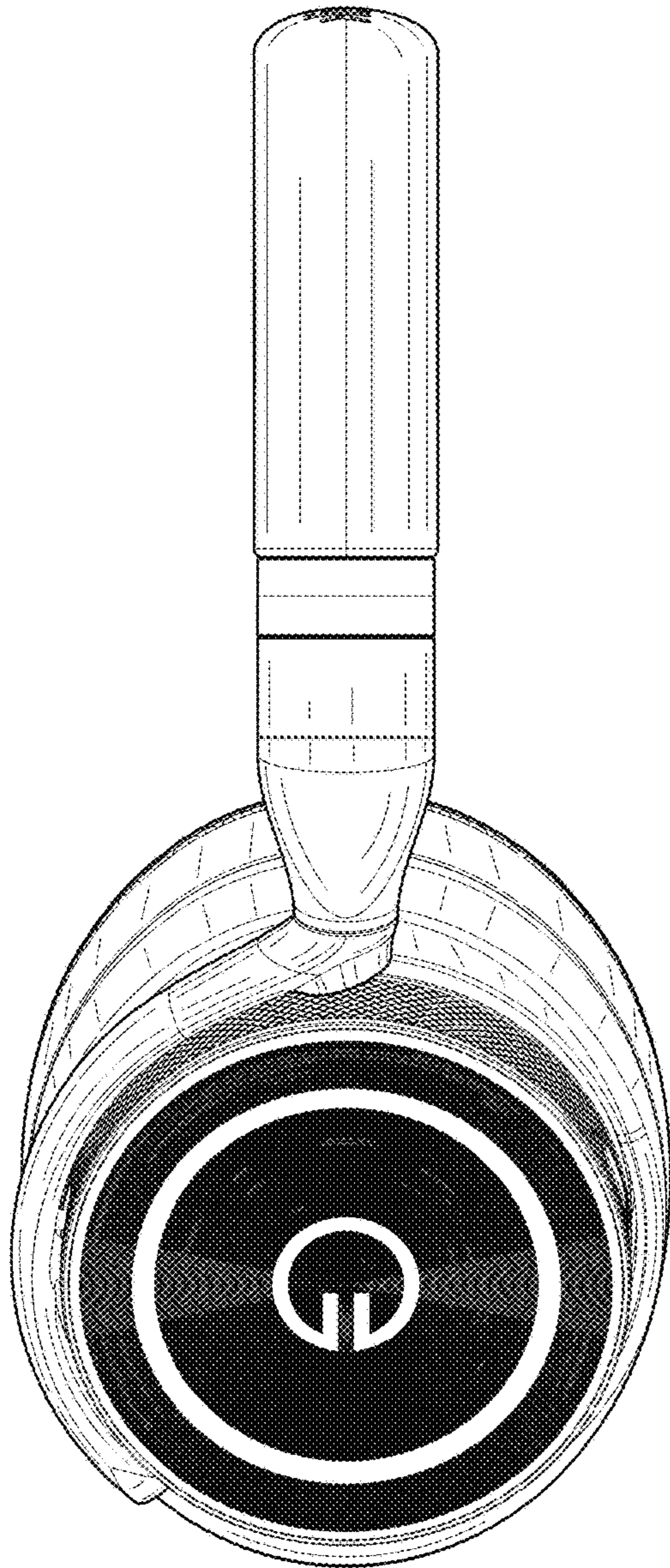


FIG. 4

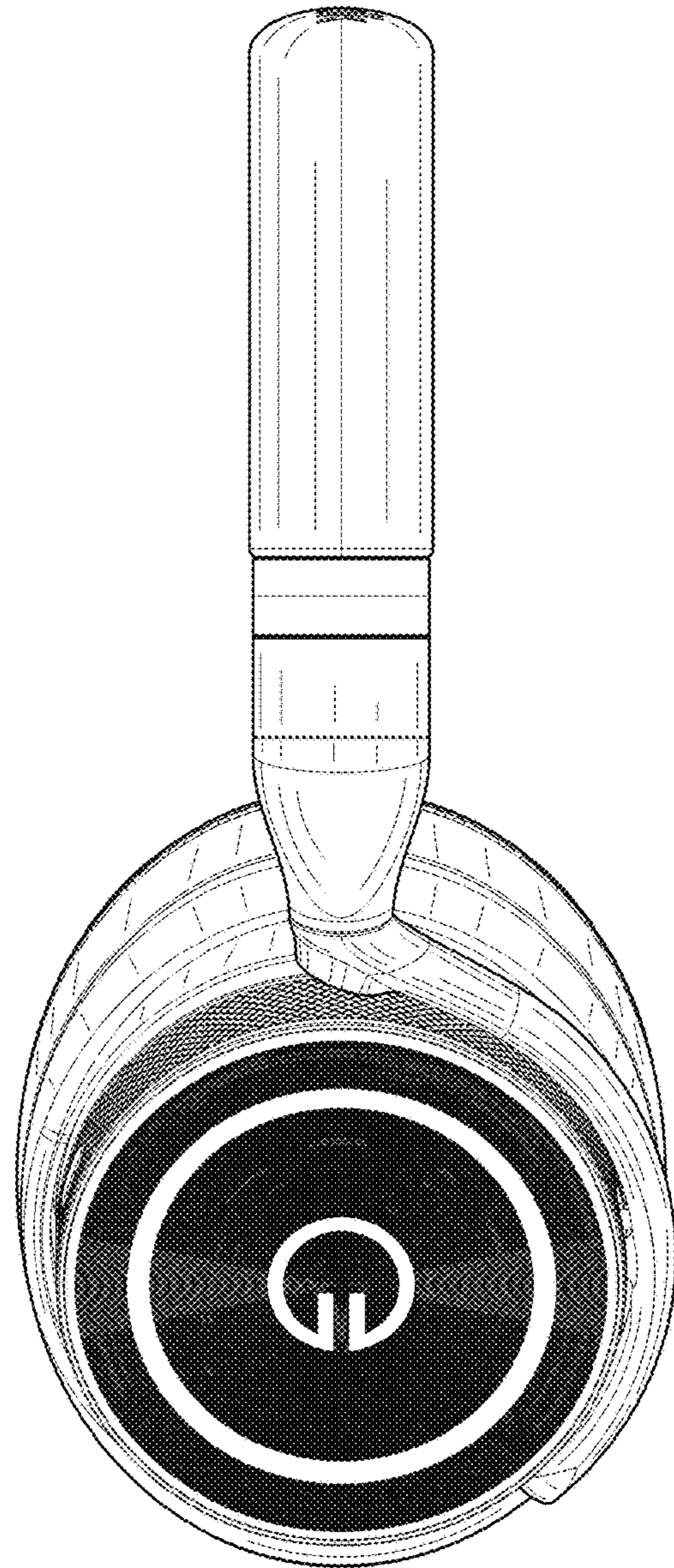


FIG. 5

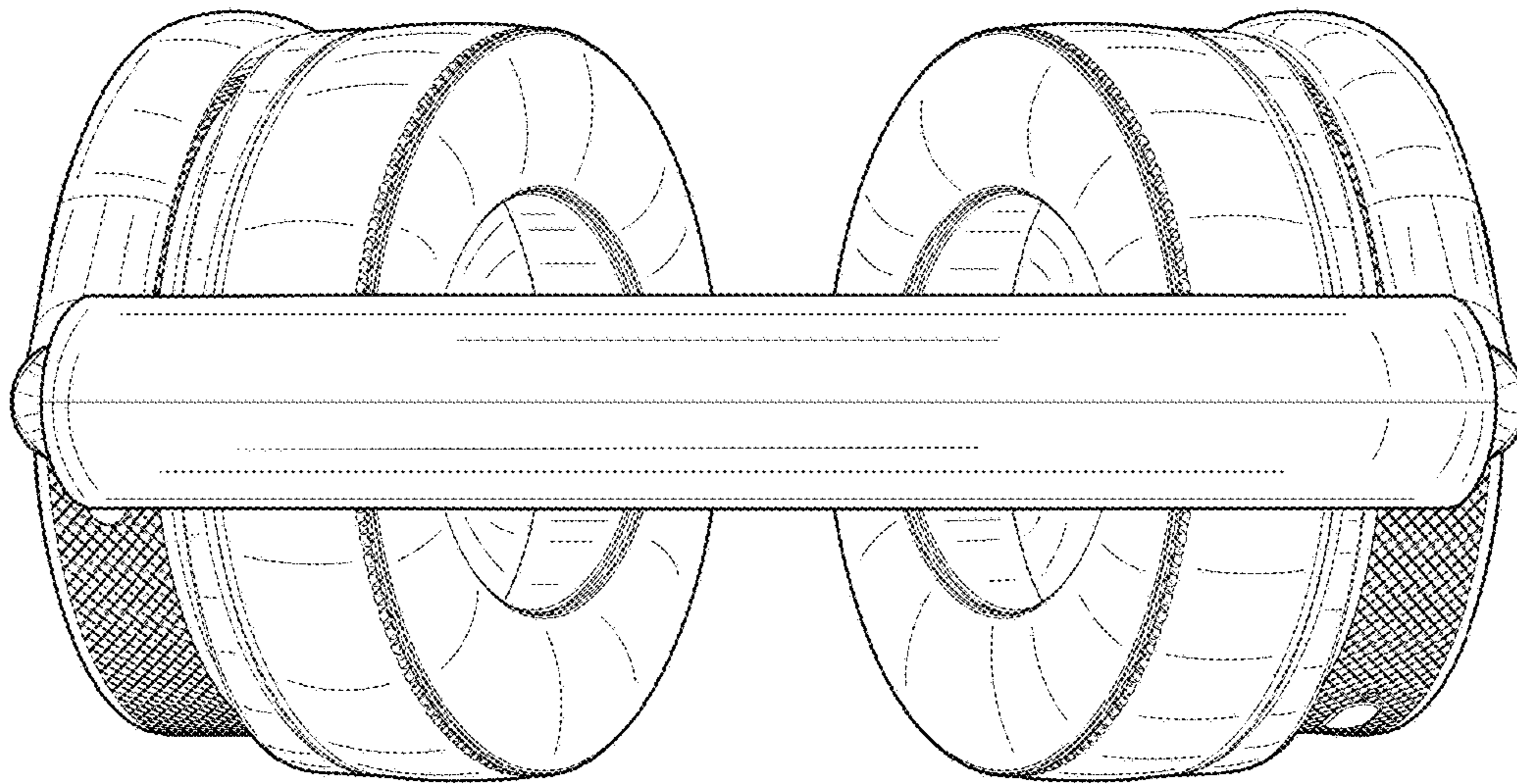


FIG. 6

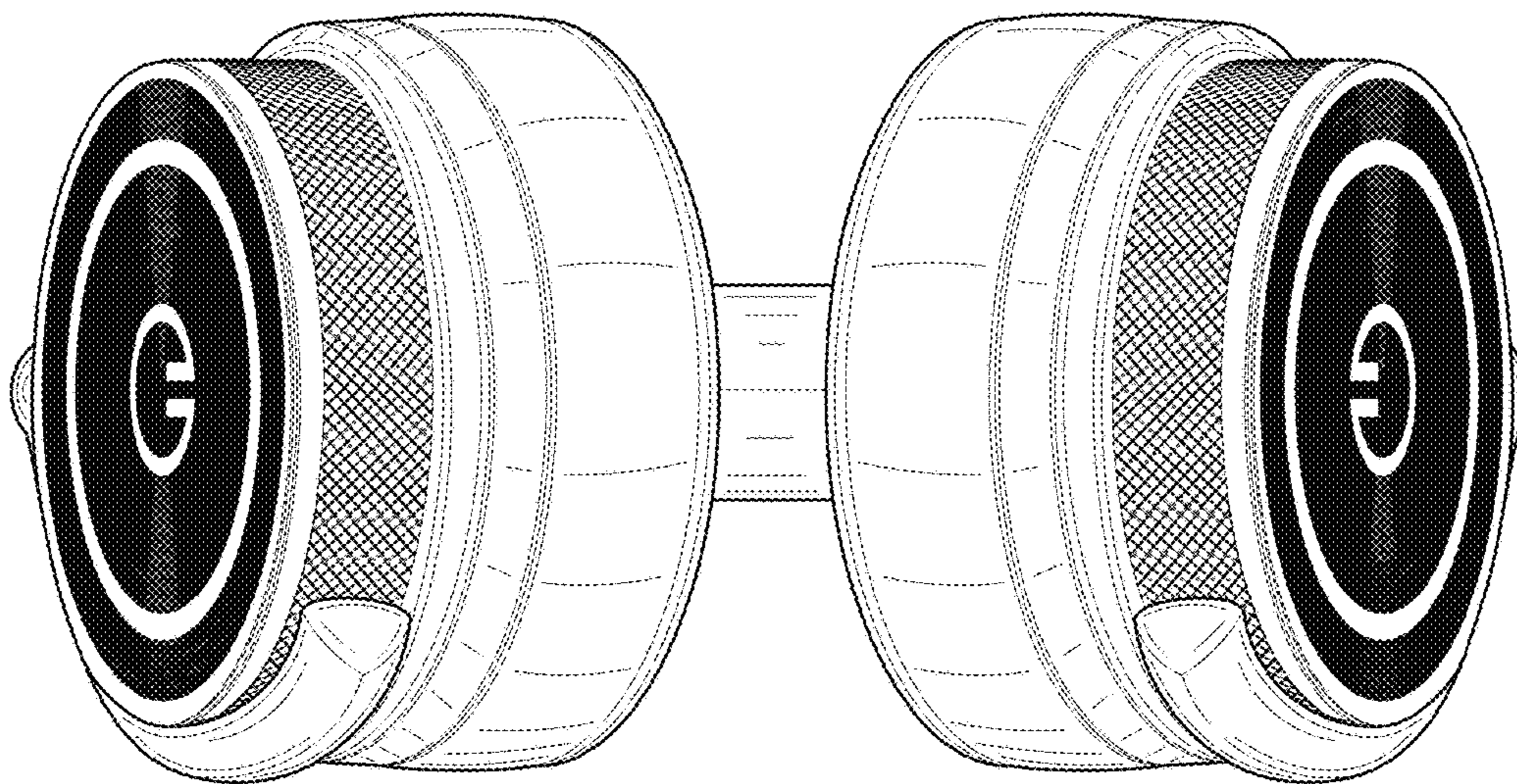


FIG. 7



FIG. 8



FIG. 9



FIG. 10

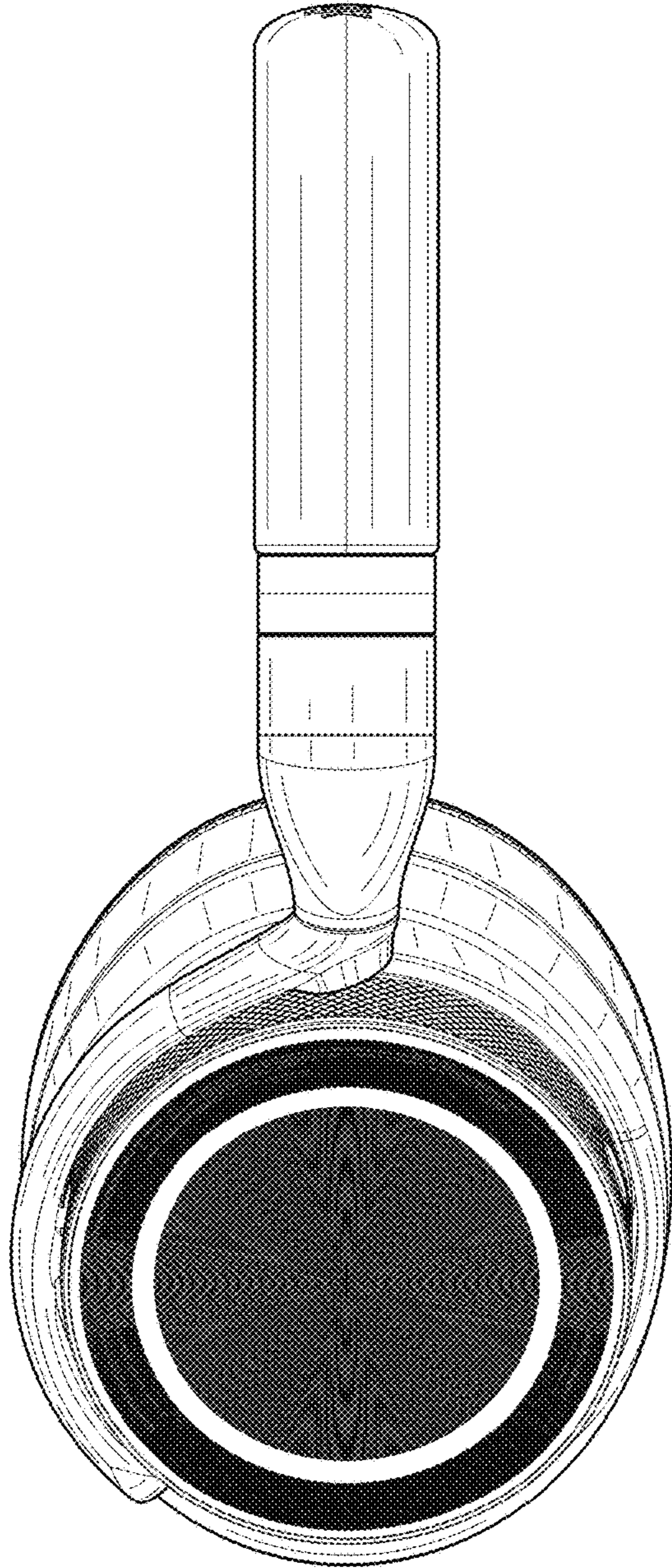


FIG. 11

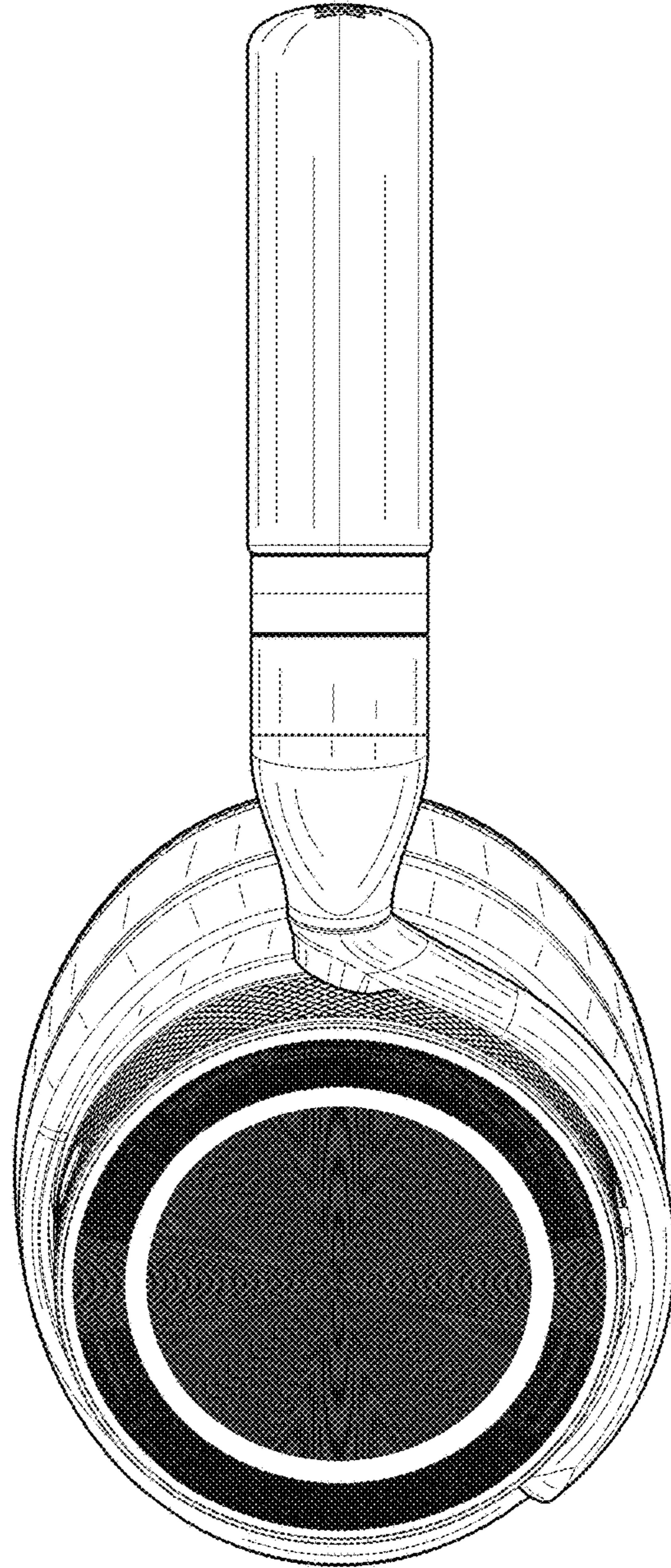


FIG. 12

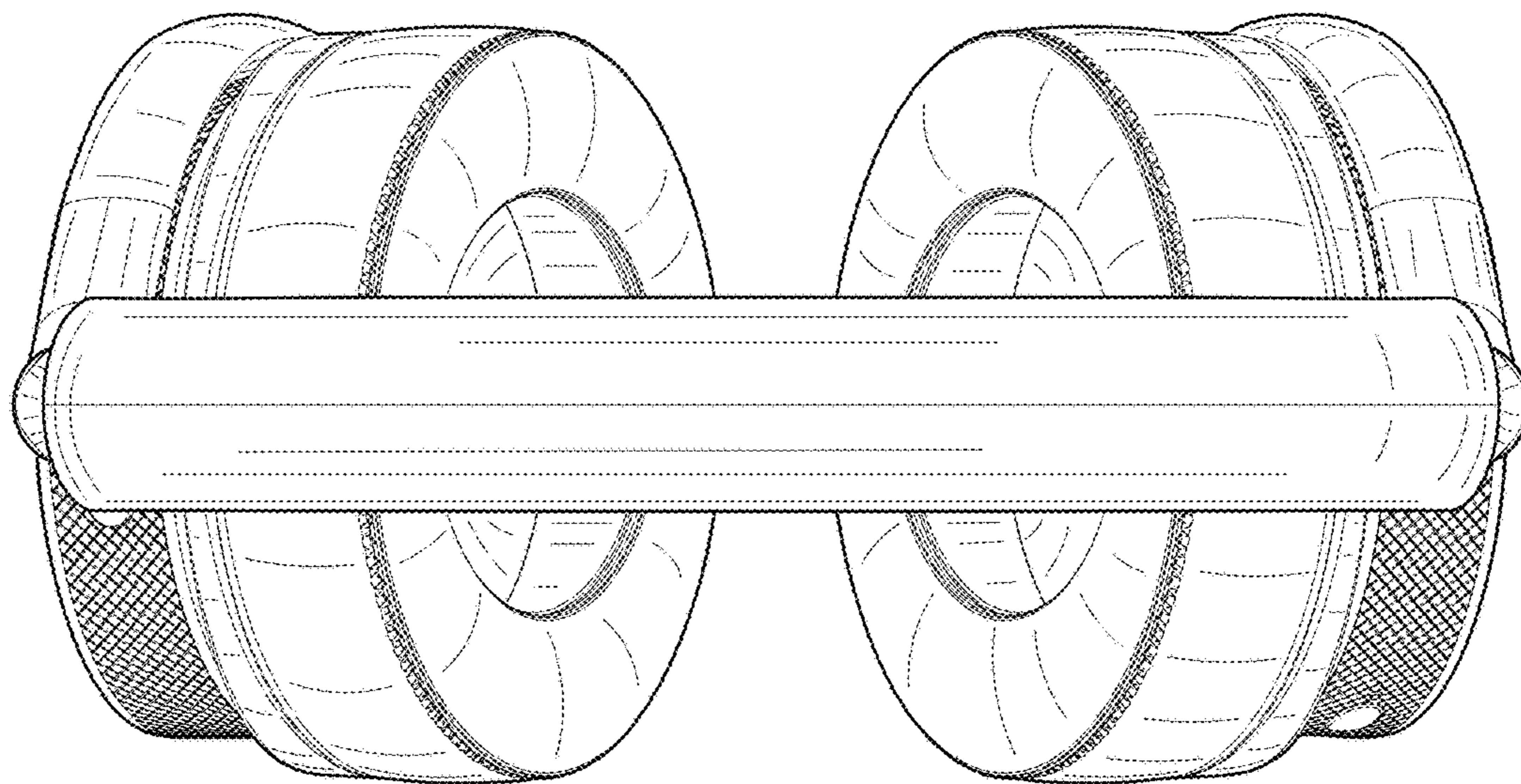


FIG. 13

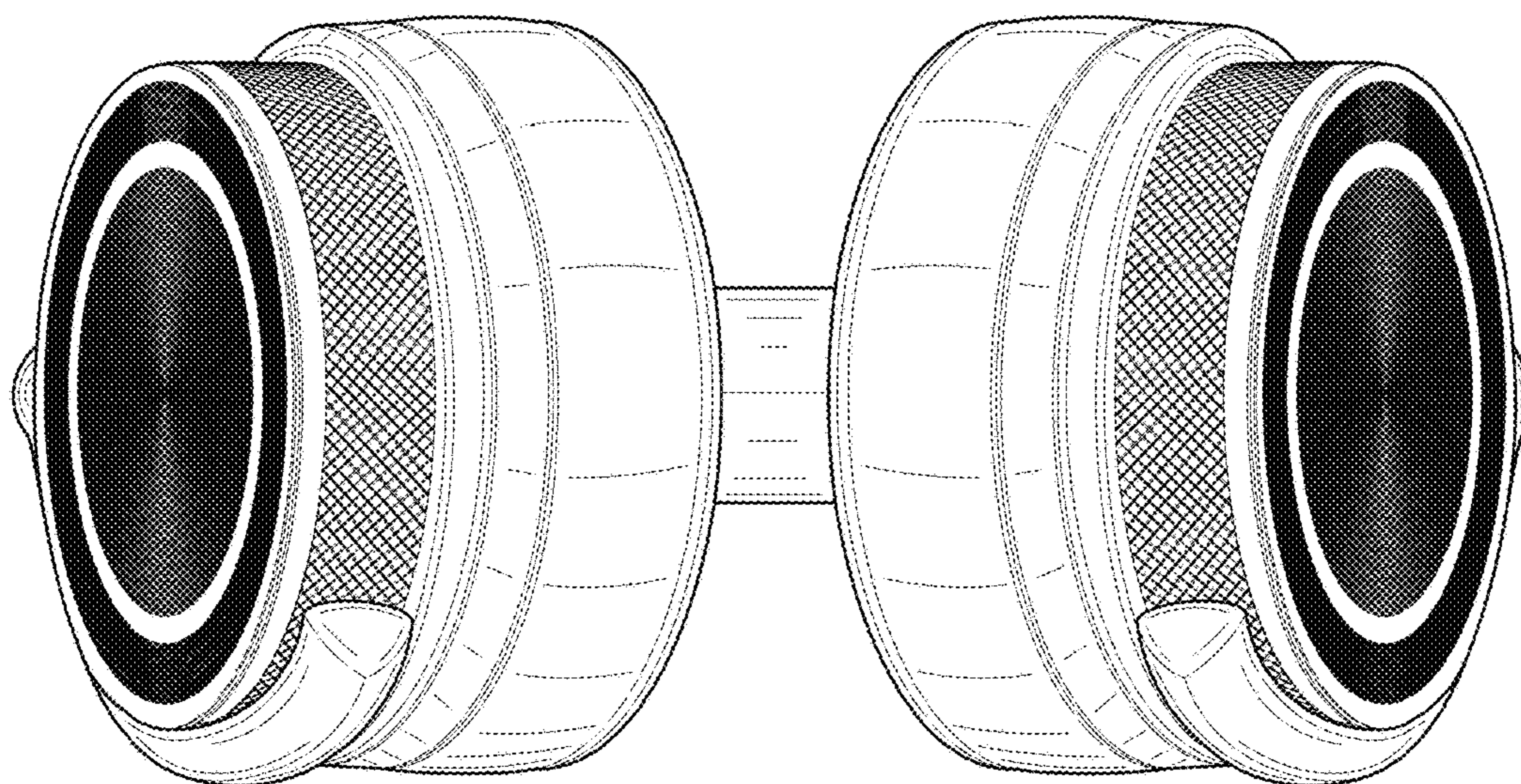


FIG. 14