



US00D834542S

(12) **United States Design Patent** (10) **Patent No.:** **US D834,542 S**
Funakubo et al. (45) **Date of Patent:** **** *Nov. 27, 2018**

(54) **LIGHT EMITTING DIODE**

H01L 33/20; H01L 33/38; H01L 33/42;
H01L 33/4862; H01L 33/483; H01L
33/486

(71) Applicants: **CITIZEN ELECTRONICS CO., LTD.**, Yamanashi (JP); **CITIZEN WATCH CO., LTD.**, Tokyo (JP)

See application file for complete search history.

(72) Inventors: **Takuya Funakubo**, Yamanashi (JP); **Takeru Ohmori**, Yamanashi (JP)

(56) **References Cited**

(73) Assignees: **CITIZEN ELECTRONICS CO., LTD.**, Yamanashi (JP); **CITIZEN WATCH CO., LTD.**, Tokyo (JP)

U.S. PATENT DOCUMENTS

(*) Notice: This patent is subject to a terminal disclaimer.

7,586,129 B2	9/2009	Hsu et al.
D615,052 S	5/2010	Imai et al.
D669,041 S	10/2012	Imai et al.
D683,708 S	6/2013	Sasano et al.
8,476,669 B2	7/2013	Liang et al.
D689,451 S	9/2013	Shimonishi et al.
D698,322 S	1/2014	Takeda et al.

(Continued)

(**) Term: **15 Years**

FOREIGN PATENT DOCUMENTS

(21) Appl. No.: **29/596,052**

JP	D1414399	5/2011
JP	D1414897	5/2011
JP	D1430595	12/2011

(22) Filed: **Mar. 3, 2017**

Primary Examiner — Selina Sikder

(74) *Attorney, Agent, or Firm* — Procopio, Cory, Hargreaves & Savitch LLP

Related U.S. Application Data

(60) Continuation of application No. 29/580,166, filed on Oct. 6, 2016, now Pat. No. Des. 796,457, which is a division of application No. 29/509,865, filed on Nov. 21, 2014, now Pat. No. Des. 771,579.

(57) **CLAIM**

The ornamental design for a light emitting diode, as shown and described.

(30) **Foreign Application Priority Data**

DESCRIPTION

May 26, 2014	(JP)	2014-011193
May 26, 2014	(JP)	2014-011196
May 26, 2014	(JP)	2014-011197

FIG. 1 is a perspective view of an embodiment of a light emitting diode showing our new design;
FIG. 2 is a top plan view thereof;
FIG. 3 is a front view thereof;
FIG. 4 is a rear view thereof;
FIG. 5 is a left side elevational view thereof;
FIG. 6 is a right side elevational view thereof; and,
FIG. 7 is a bottom plan view thereof.

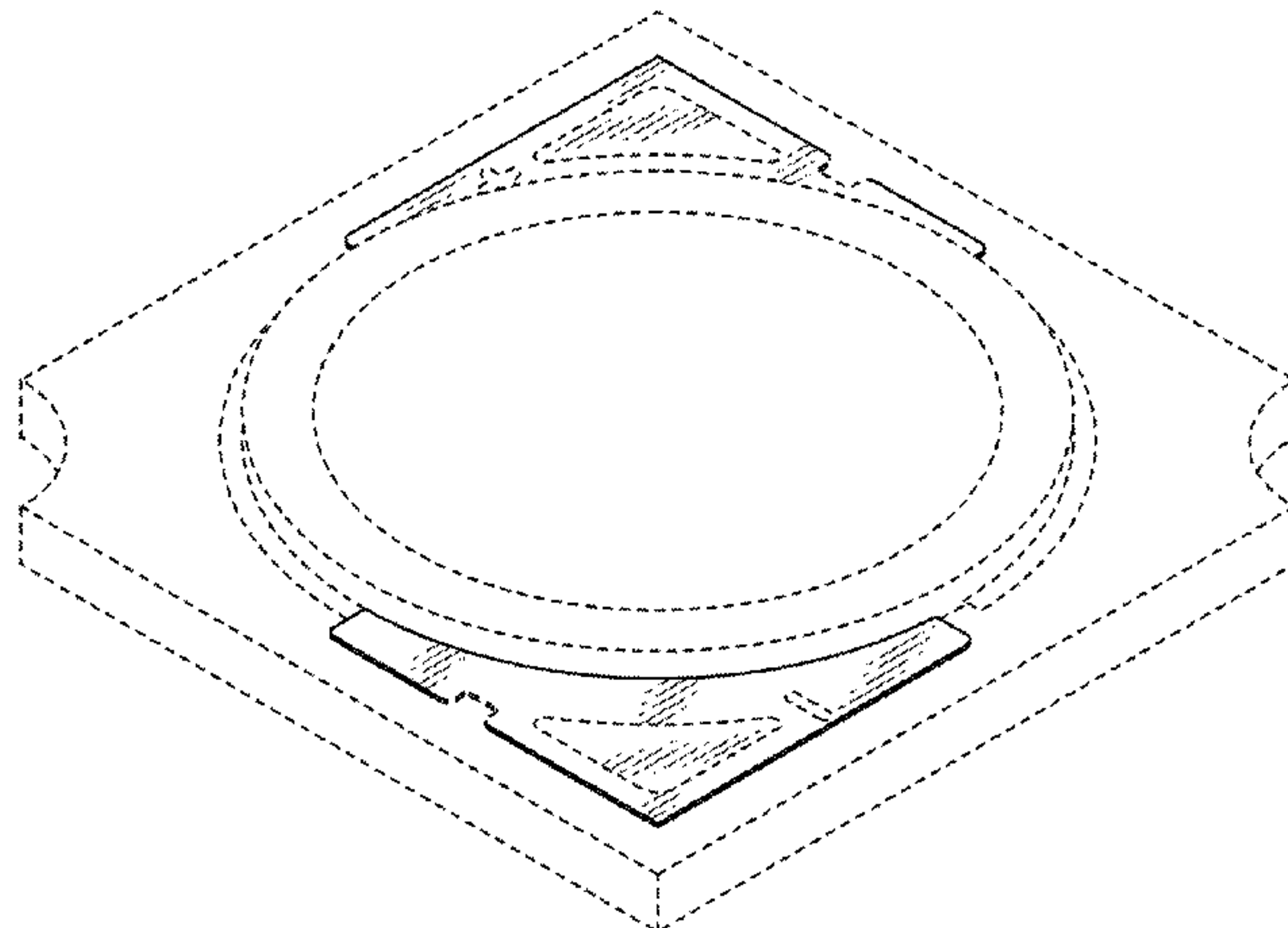
(51) **LOC (11) Cl.** **03-03**

(52) **U.S. Cl.**
USPC **D13/180**

The broken lines shown in the drawings are for illustrative purposes only and form no part of the claimed design.

(58) **Field of Classification Search**
USPC D13/180; D26/1
CPC ... H01L 25/167; H01L 25/0753; H01L 27/15;
H01L 27/156; H01L 31/02; H01L 33/00;
H01L 33/04; H01L 33/08; H01L 33/10;

1 Claim, 5 Drawing Sheets



(56)

References Cited

U.S. PATENT DOCUMENTS

8,632,226	B2	1/2014	Hata et al.	
8,696,159	B2	4/2014	Andrews et al.	
D706,231	S	6/2014	Hussell et al.	
D707,192	S	6/2014	Hussell et al.	
D709,041	S	7/2014	Yu	
8,772,819	B2	7/2014	Hwu et al.	
8,835,931	B2	9/2014	Wirth	
D721,339	S	1/2015	Hussell et al.	
D727,273	S	4/2015	Oka et al.	
9,018,648	B2	4/2015	Chiu et al.	
9,018,832	B2	4/2015	Agatani et al.	
9,024,334	B2	5/2015	Agatani et al.	
9,029,905	B2	5/2015	Lin et al.	
9,057,501	B2	6/2015	Cho	
9,059,376	B2	6/2015	Chou	
9,130,140	B2	9/2015	Tsuchiya et al.	
9,146,026	B2	9/2015	Funakubo	
D750,581	S	3/2016	Eguchi et al.	
9,484,512	B2 *	11/2016	Kawano	H01L 33/62
D786,808	S *	5/2017	Kayanuma	D13/180
D789,308	S *	6/2017	Ochiai	D13/180
D791,089	S *	7/2017	Goto	D13/180
2006/0231852	A1	10/2006	Kususe et al.	
2010/0320483	A1	12/2010	Kadotani et al.	
2012/0126257	A1	5/2012	Reiherzer et al.	

* cited by examiner

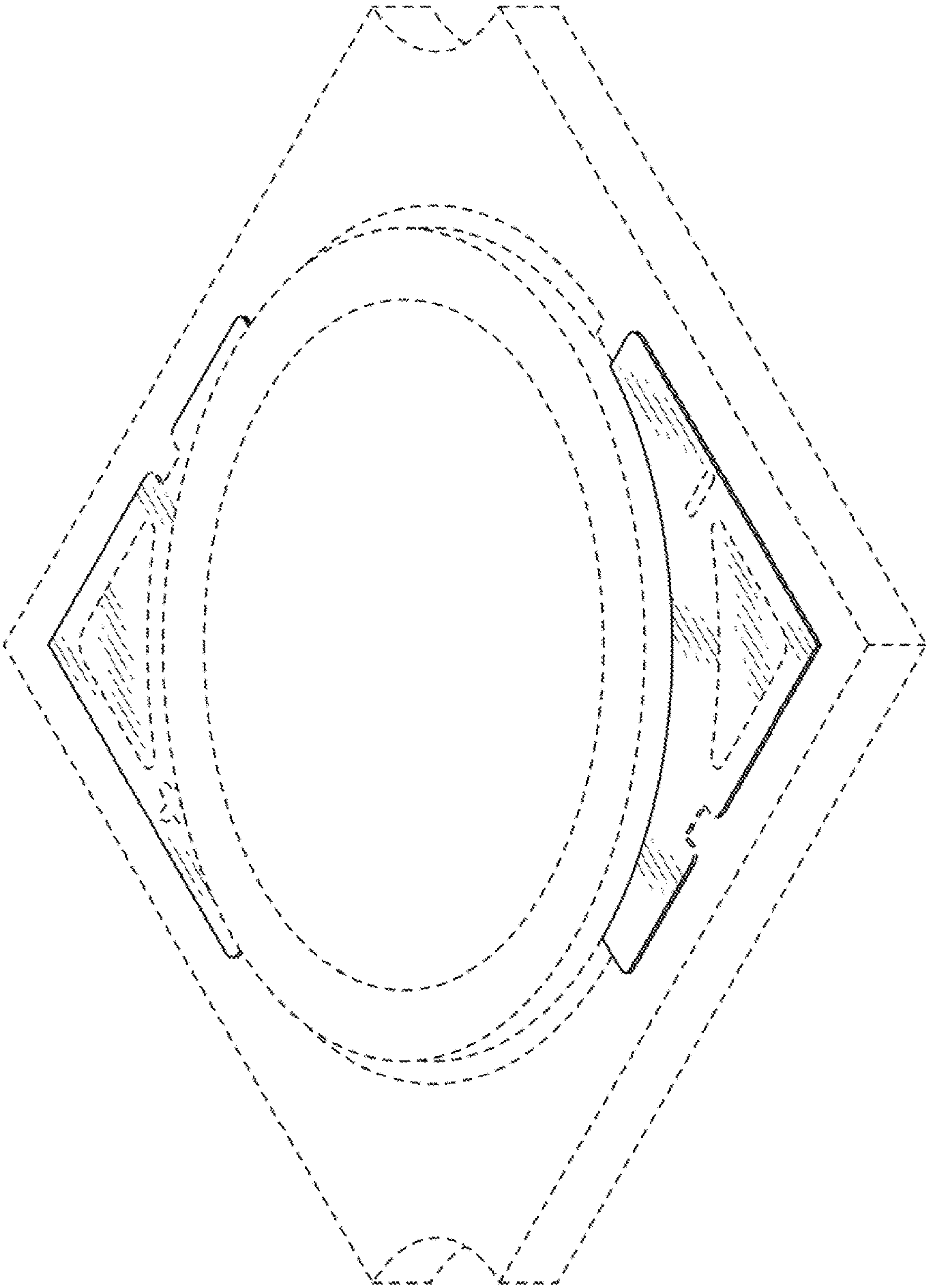


FIG. 1

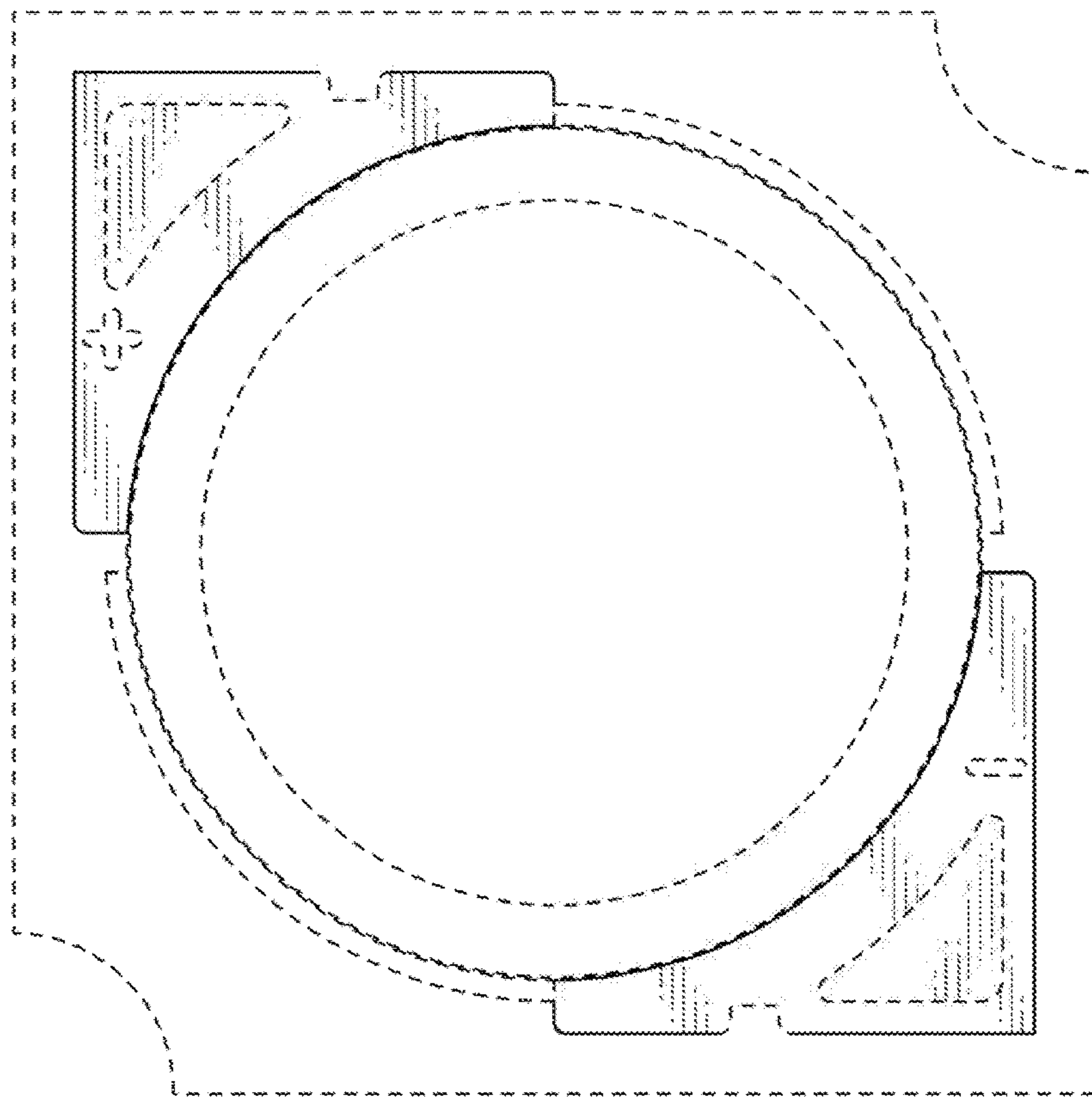


FIG. 2

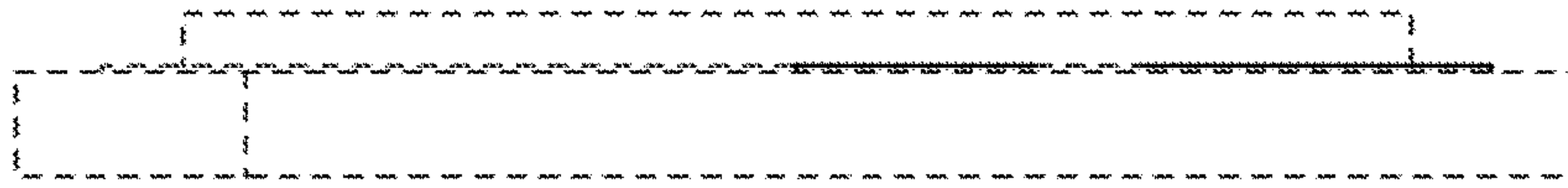


FIG. 3

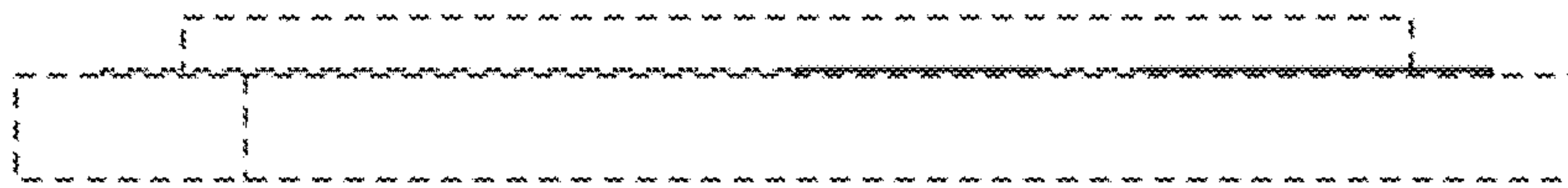


FIG. 4



FIG. 5

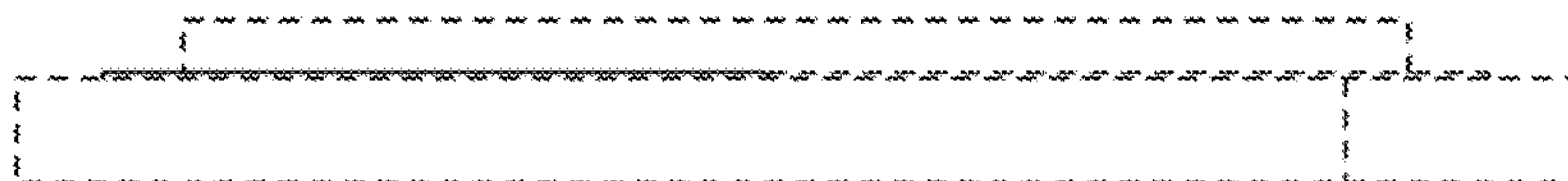


FIG. 6

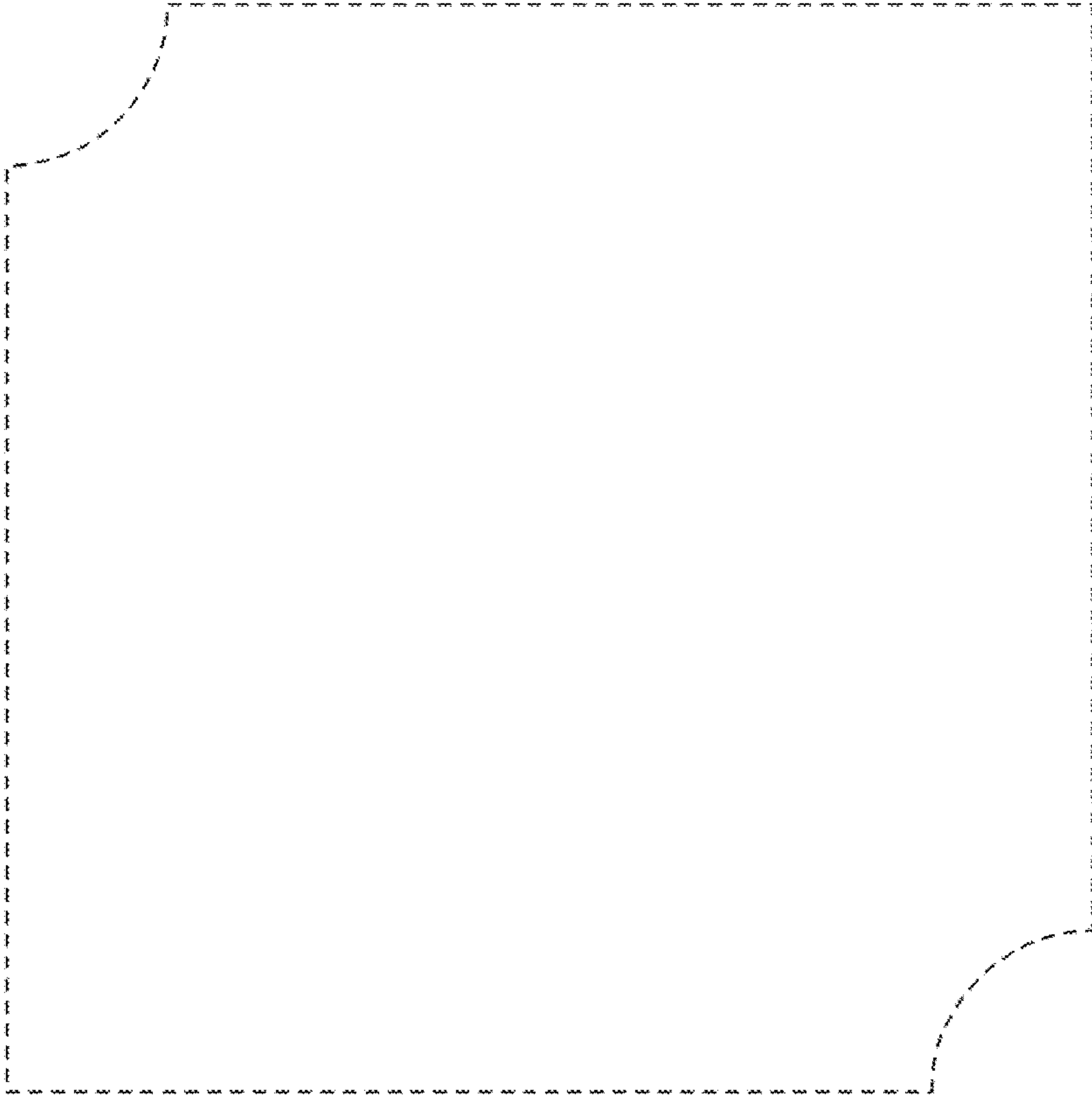


FIG. 7