



US00D834541S

(12) **United States Design Patent**  
**You et al.**

(10) **Patent No.:** **US D834,541 S**

(45) **Date of Patent:** **\*\* Nov. 27, 2018**

(54) **REMOTE CONTROL**

(71) Applicant: **Universal Remote Control, Inc.**,  
Harrison, NY (US)

(72) Inventors: **Jak H You**, White Plains, NY (US); **Yi Chun Lee**, Gumi (KR); **Chang K Park**, Armonk, NY (US)

(73) Assignee: **Universal Remote Control, Inc.**,  
Harrison, NY (US)

(\*\*) Term: **15 Years**

(21) Appl. No.: **29/604,736**

(22) Filed: **May 19, 2017**

(51) **LOC (11) Cl.** ..... **14-03**

(52) **U.S. Cl.**  
USPC ..... **D13/168**; D13/162

(58) **Field of Classification Search**  
USPC ..... D13/162, 163, 168; D6/300, 308, 310;  
D14/126, 336, 341, 374

CPC .. G05B 19/0426; G05B 19/409; G05B 15/02;  
G06F 1/1601; G06F 3/0482; G06F  
3/0489; G05D 23/1902; G05D 23/1905;  
G05D 23/1931; H05B 37/02

See application file for complete search history.

(56) **References Cited**

**U.S. PATENT DOCUMENTS**

D335,963 S \* 6/1993 Tracey ..... D6/300  
D408,383 S \* 4/1999 Carter ..... D14/126

D464,948 S \* 10/2002 Vasquez ..... D14/218  
D545,782 S \* 7/2007 Schiller ..... D14/126  
D608,547 S \* 1/2010 Peng ..... D6/310  
D660,837 S \* 5/2012 Libman ..... D14/336  
D661,266 S \* 6/2012 Laube ..... D14/126  
D704,151 S \* 5/2014 Jacoby ..... D13/168  
D755,783 S \* 5/2016 Shi ..... D14/336  
D767,508 S \* 9/2016 Dimberg ..... D13/168  
D773,455 S \* 12/2016 Lee ..... D14/341  
D784,270 S \* 4/2017 Bhattacharya ..... D13/162  
D811,384 S \* 2/2018 Diasabeygunawardena .....  
D14/336

\* cited by examiner

*Primary Examiner* — Selina Sikder

(74) *Attorney, Agent, or Firm* — Amster, Rothstein &  
Ebenstein LLP

(57) **CLAIM**

The ornamental design for a remote control, as shown and described.

**DESCRIPTION**

FIG. 1 is a perspective view of a remote control showing our new design;

FIG. 2 is a front view thereof;

FIG. 3 is a rear view thereof;

FIG. 4 is a side view thereof;

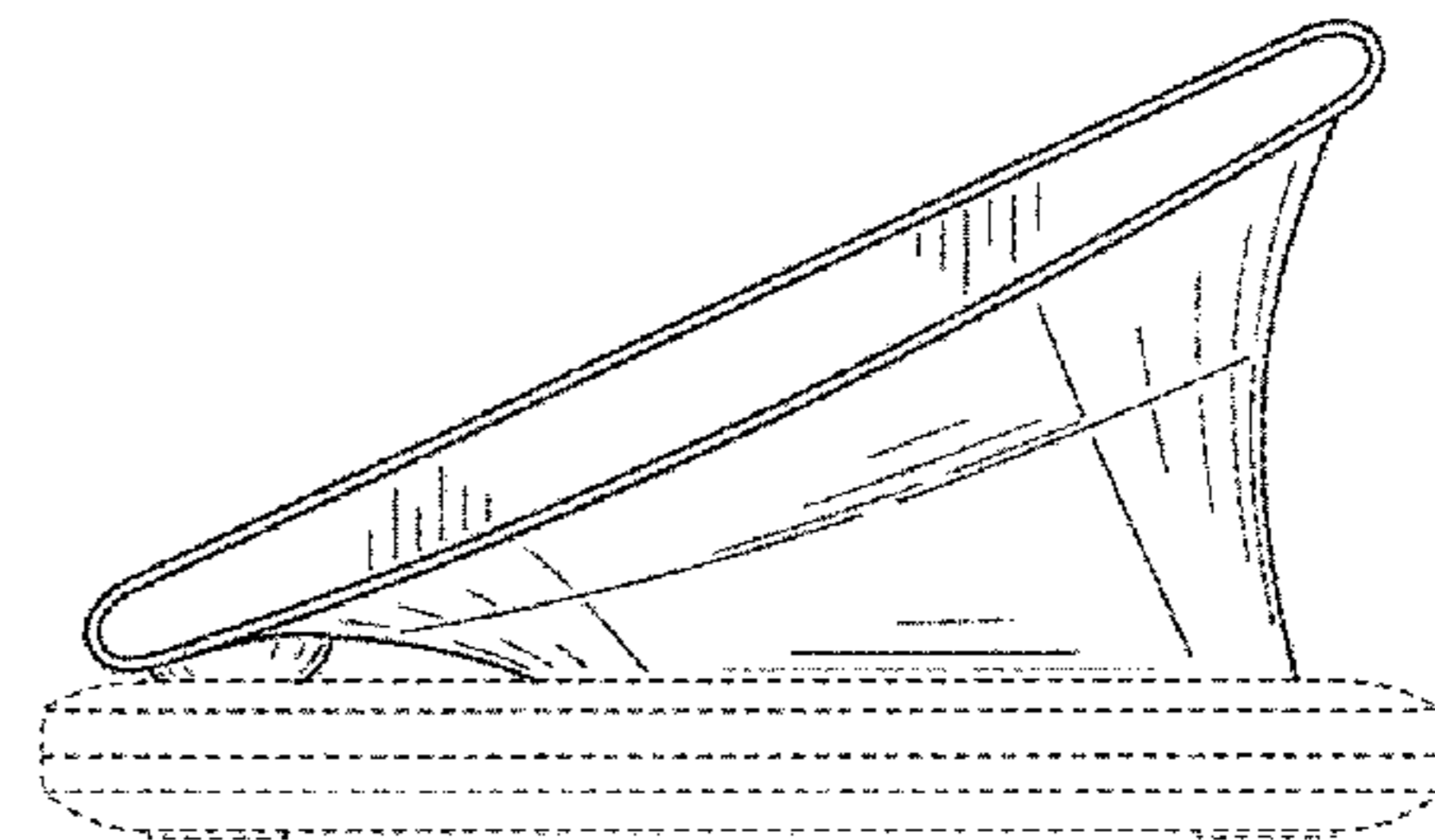
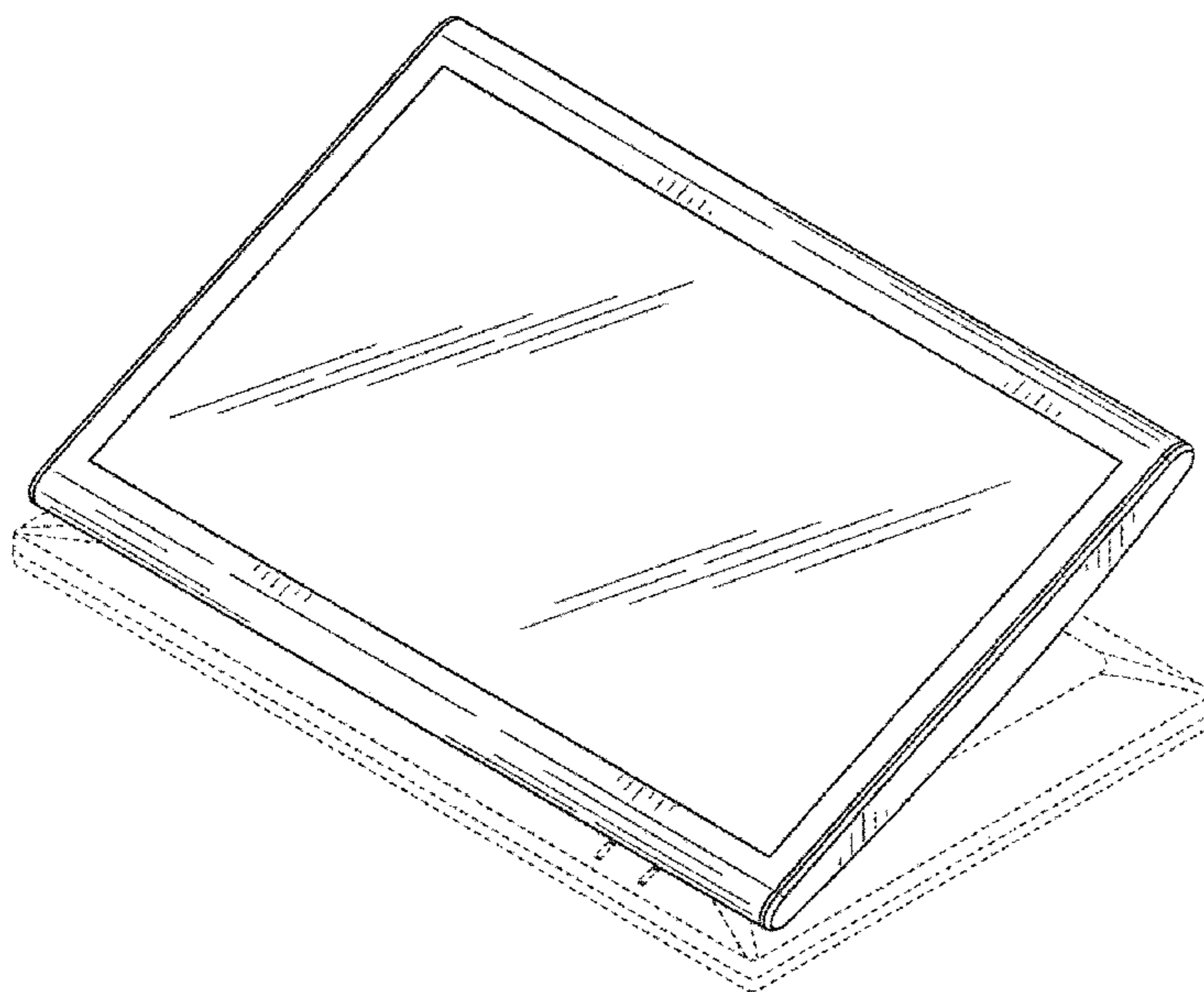
FIG. 5 is an opposite side view thereof;

FIG. 6 is a top view thereof; and,

FIG. 7 is a bottom view thereof.

The broken lines are used to show environmental structure and form no part of the claimed design.

**1 Claim, 4 Drawing Sheets**



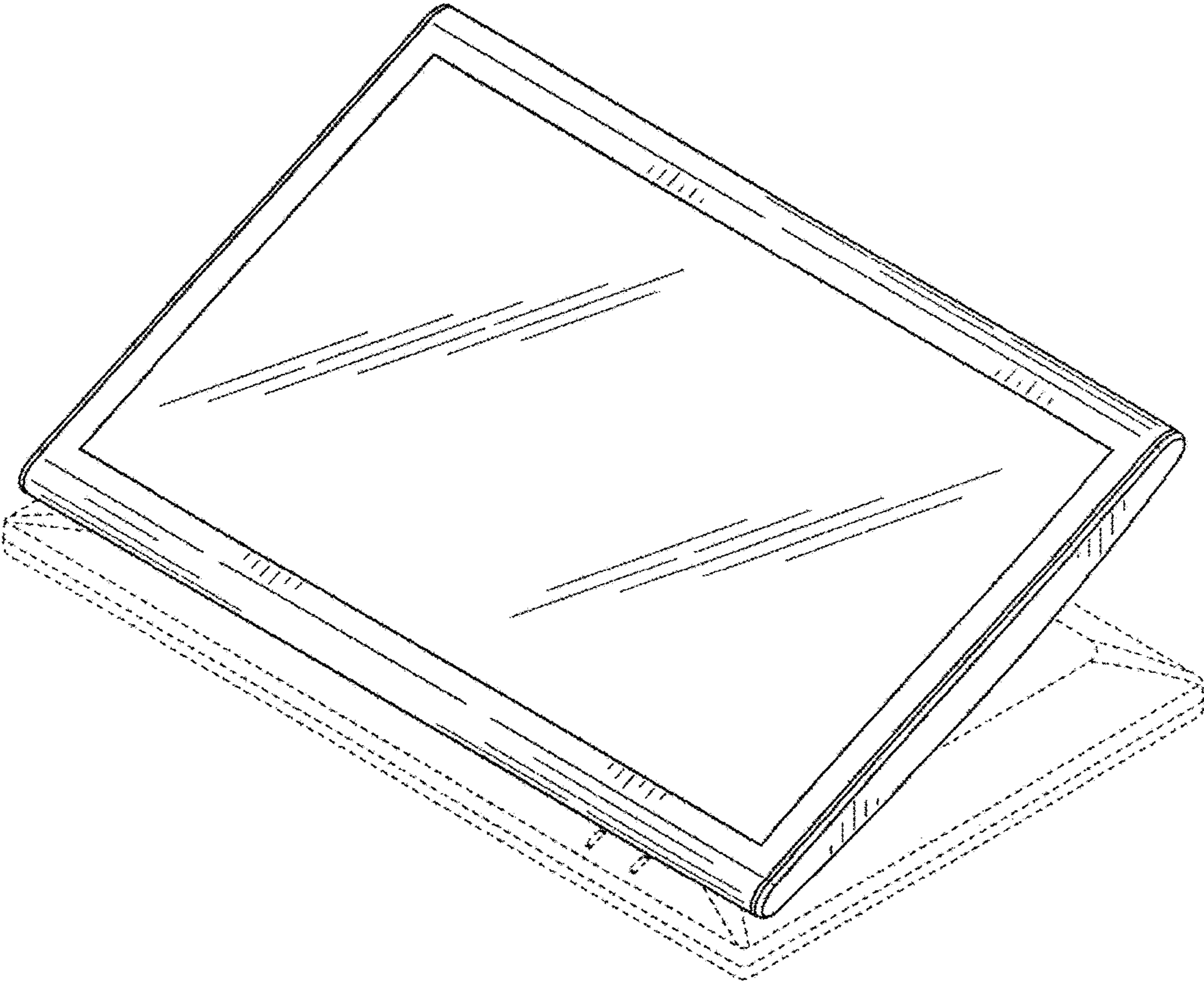


FIG. 1

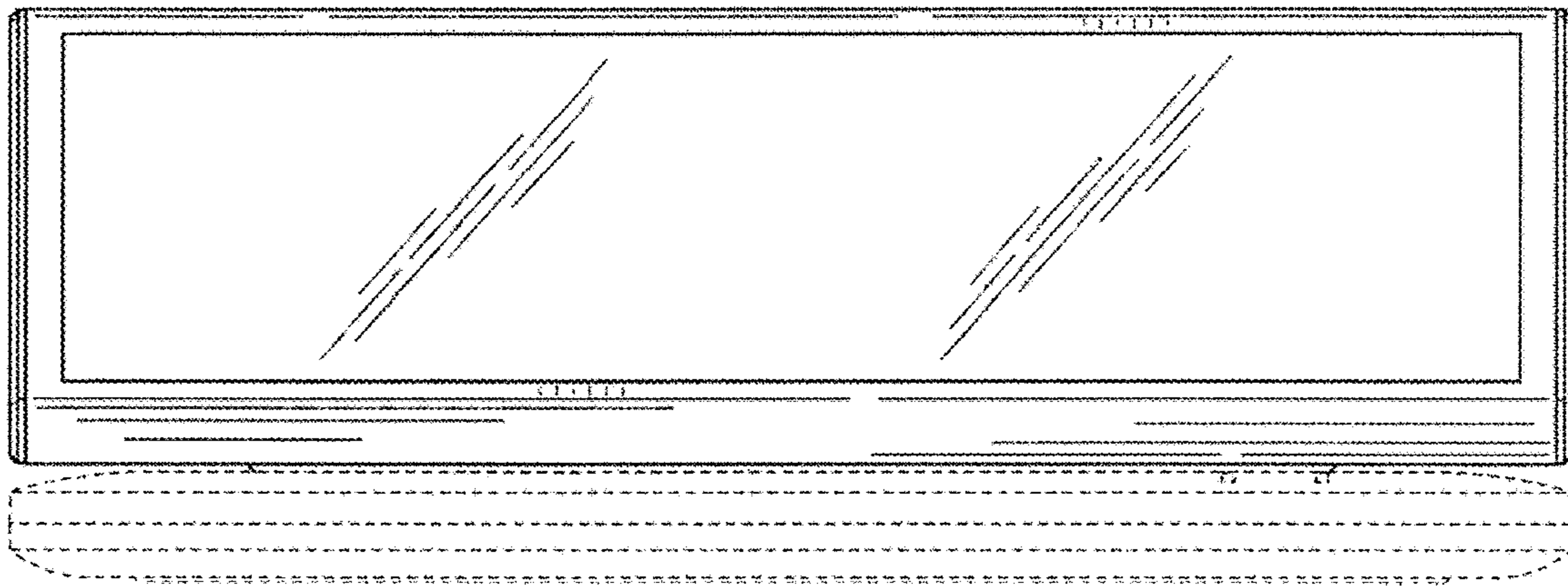


FIG. 2

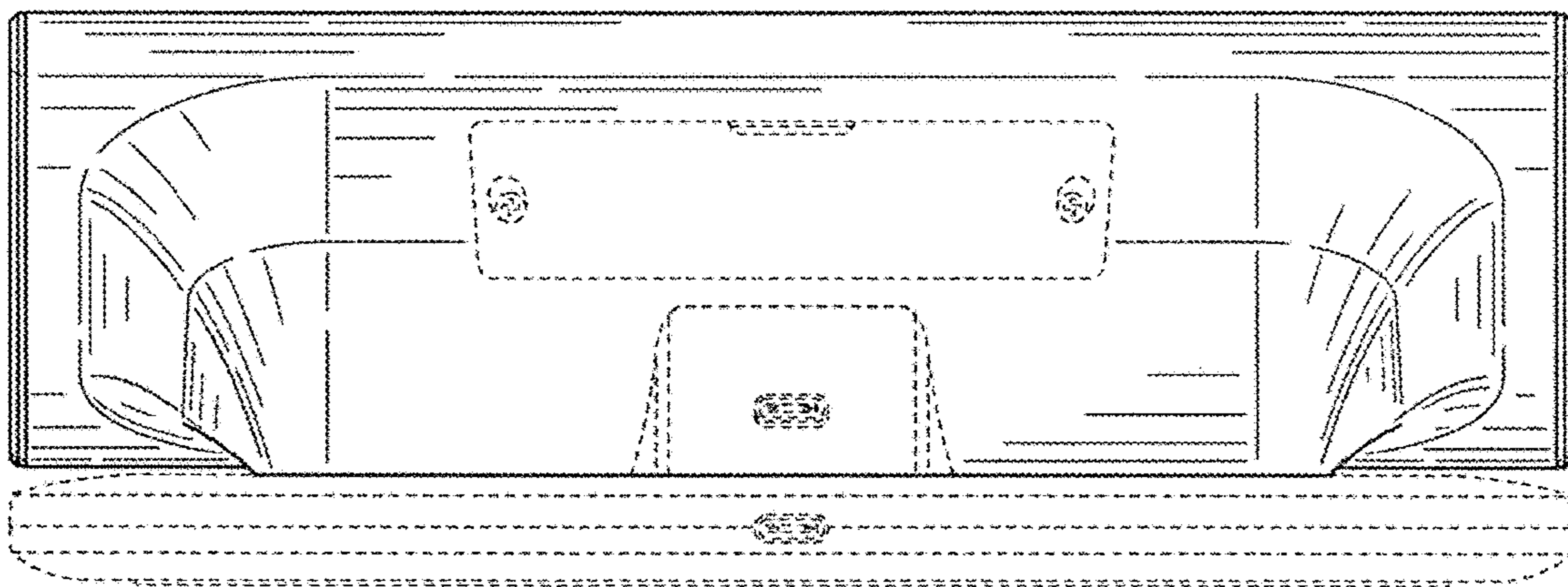


FIG. 3

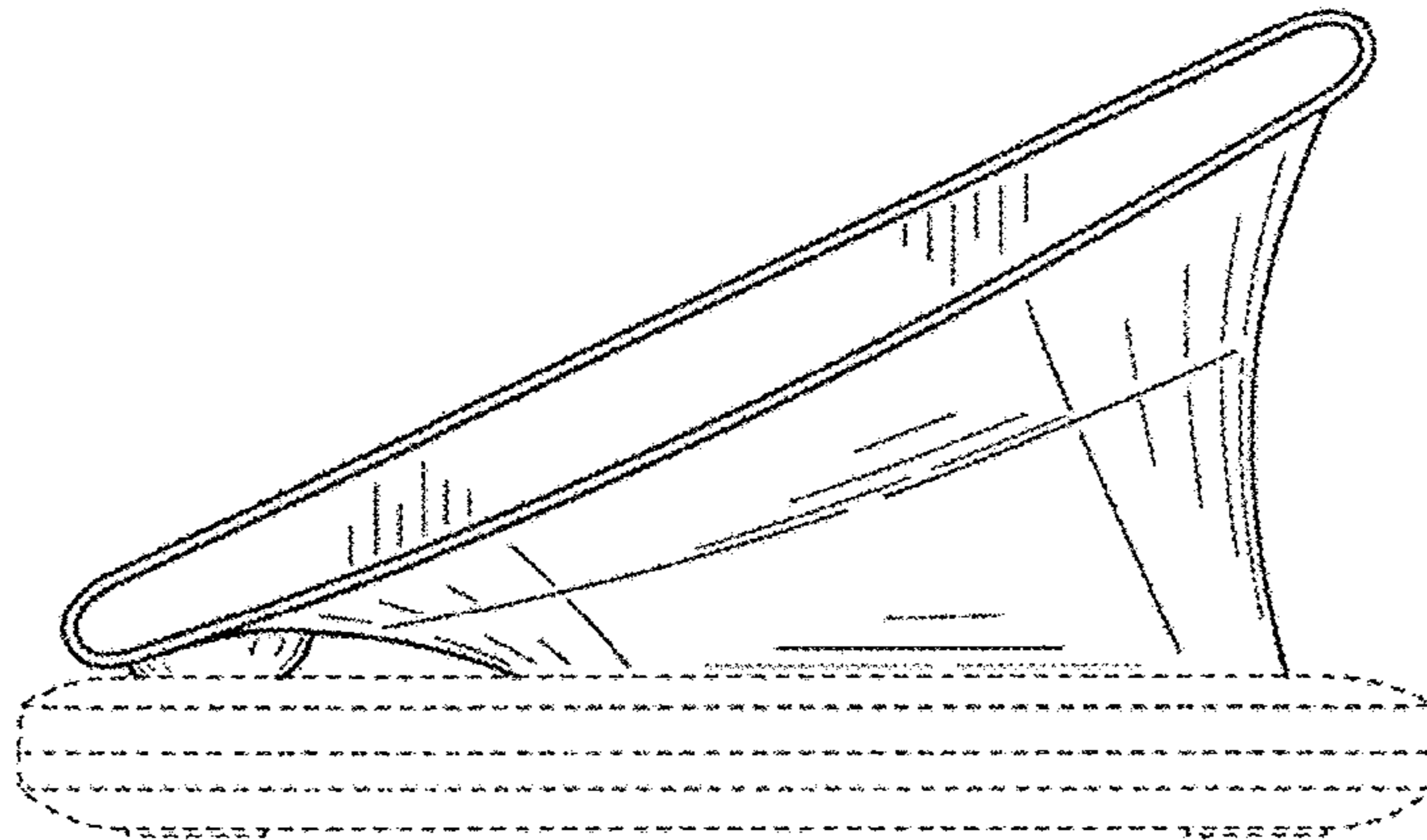


FIG. 4

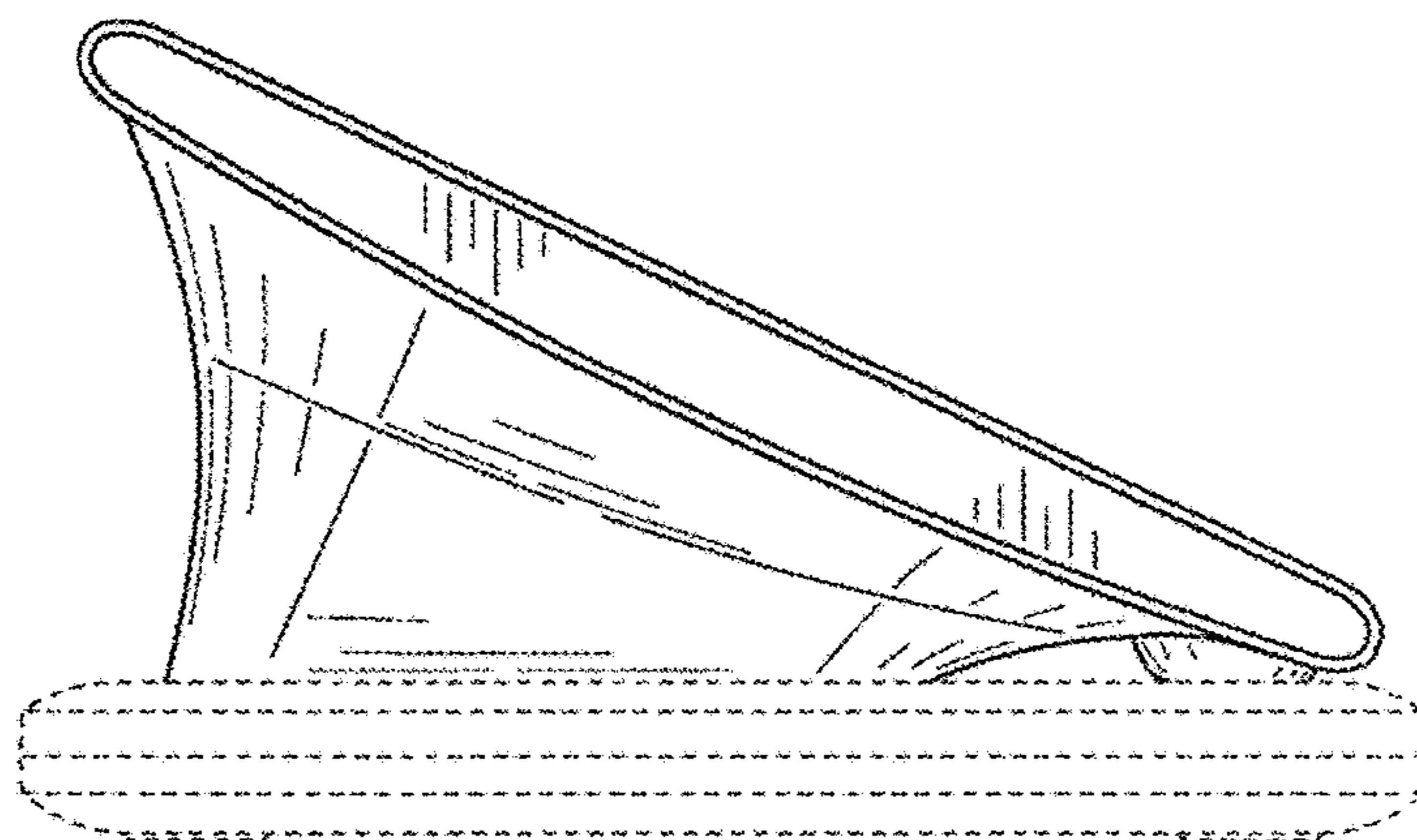


FIG. 5

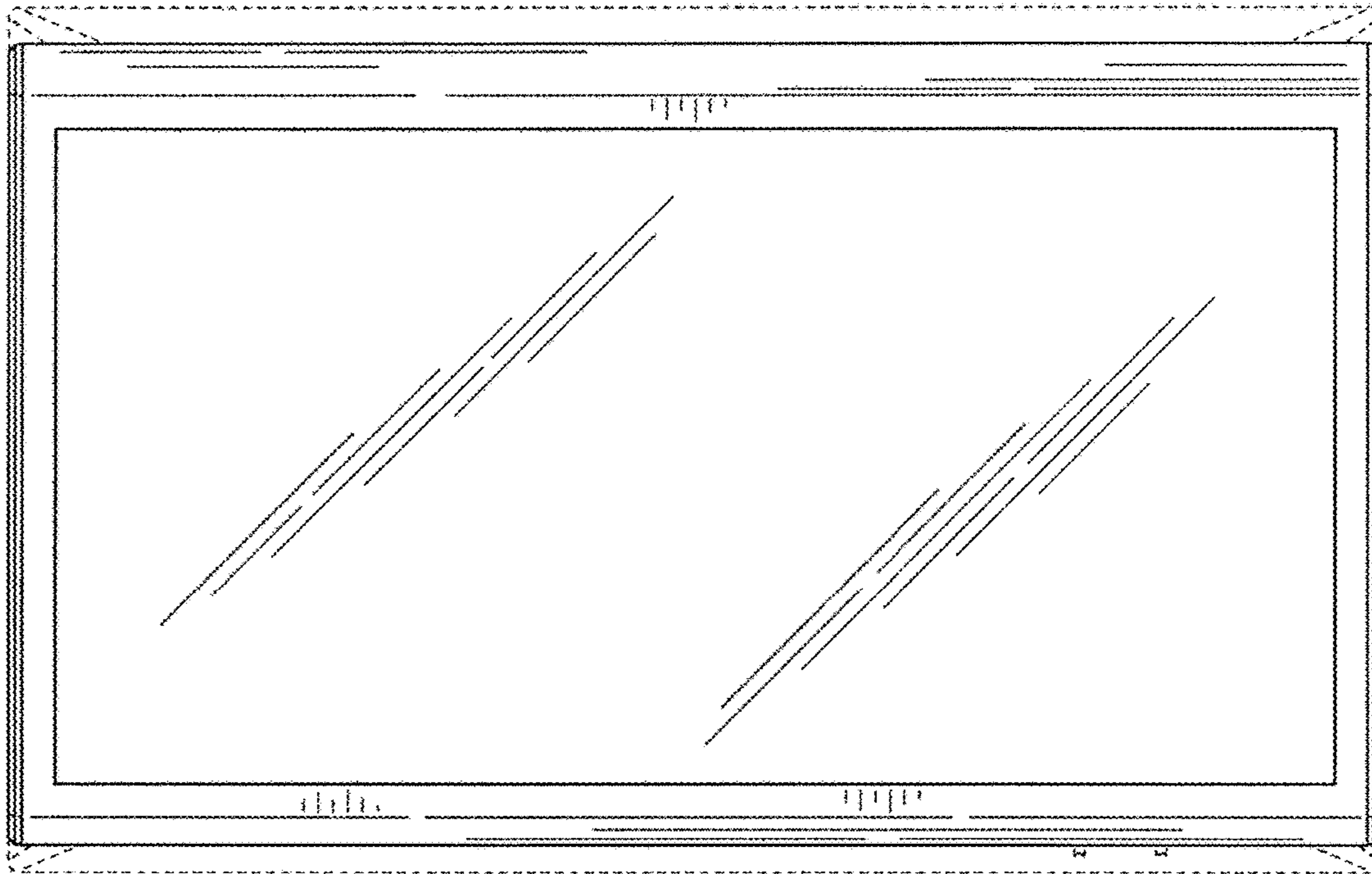


FIG. 6

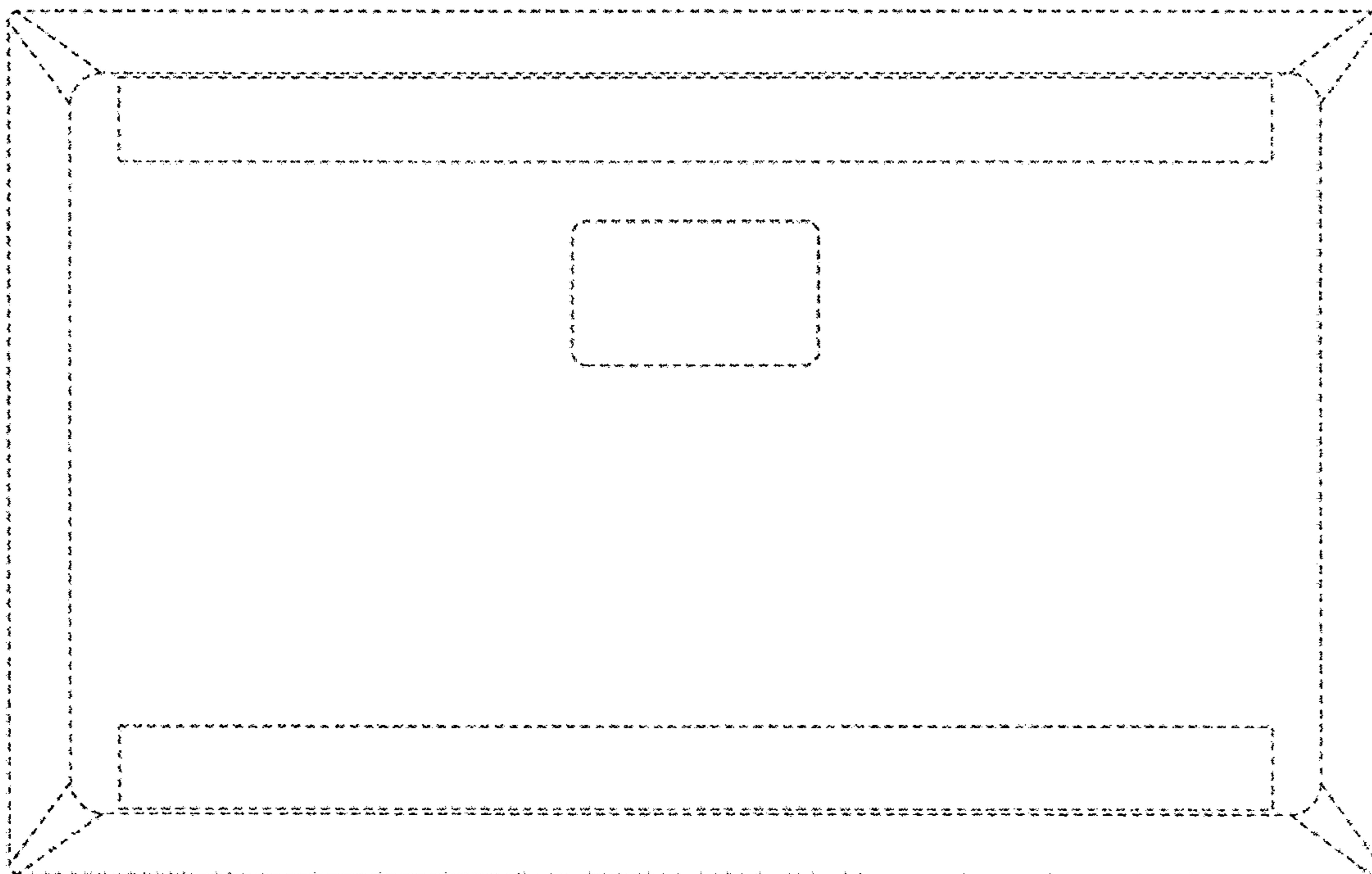


FIG. 7