



US00D834540S

(12) **United States Design Patent**
Poulheim et al.

(10) **Patent No.:** **US D834,540 S**

(45) **Date of Patent:** **** *Nov. 27, 2018**

(54) **WALL MOUNTED BUTTON PANEL**

(71) Applicant: **Crestron Electronics, Inc.**, Rockleigh,
NJ (US)

(72) Inventors: **André Poulheim**, Frechen (DE); **Stefan
Kenta Hohn**, Cologne (DE); **Evan
Ackmann**, Hoboken, NJ (US)

(73) Assignee: **Crestron Electronics, Inc.**, Rockleigh,
NJ (US)

(*) Notice: This patent is subject to a terminal dis-
claimer.

(**) Term: **15 Years**

(21) Appl. No.: **29/622,570**

(22) Filed: **Oct. 18, 2017**

Related U.S. Application Data

(60) Continuation-in-part of application No. 29/613,231,
filed on Aug. 8, 2017, which is a division of
(Continued)

(51) **LOC (11) Cl.** **13-03**

(52) **U.S. Cl.**
USPC **D13/164**

(58) **Field of Classification Search**
USPC D13/162, 164, 171, 177
(Continued)

(56) **References Cited**

U.S. PATENT DOCUMENTS

D351,099 S * 10/1994 Flasz D8/353
5,999,083 A * 12/1999 Kordecki H01C 10/103
338/113

(Continued)

Primary Examiner — Selina Sikder

(74) *Attorney, Agent, or Firm* — Crestron Electronics, Inc

(57) **CLAIM**

The ornamental design for a wall mounted button panel, as
shown and described.

DESCRIPTION

FIG. 1 shows a front perspective view of a wall mounted
button panel according to a first embodiment.

FIG. 2 shows a front elevation view of the wall mounted
button panel according to the first embodiment.

FIG. 3 shows a right side view of the wall mounted button
panel according to the first embodiment.

FIG. 4 shows a left side view of the wall mounted button
panel according to the first embodiment.

FIG. 5 shows a top view of the wall mounted button panel
according to the first embodiment.

FIG. 6 shows a bottom view of the wall mounted button
panel according to the first embodiment.

FIG. 7 shows a front perspective view of a wall mounted
button panel according to a second embodiment.

FIG. 8 shows a front elevation view of the wall mounted
button panel according to the second embodiment.

FIG. 9 shows a right side view of the wall mounted button
panel according to the second embodiment.

FIG. 10 shows a left side view of the wall mounted button
panel according to the second embodiment.

FIG. 11 shows a top view of the wall mounted button panel
according to the second embodiment.

FIG. 12 shows a bottom view of the wall mounted button
panel according to the second embodiment.

FIG. 13 shows a front perspective view of a wall mounted
button panel according to a third embodiment.

FIG. 14 shows a front elevation view of the wall mounted
button panel according to the third embodiment.

FIG. 15 shows a right side view of the wall mounted button
panel according to the third embodiment.

FIG. 16 shows a left side view of the wall mounted button
panel according to the third embodiment.

FIG. 17 shows a top view of the wall mounted button panel
according to the third embodiment.

FIG. 18 shows a bottom view of the wall mounted button
panel according to the third embodiment.

(Continued)

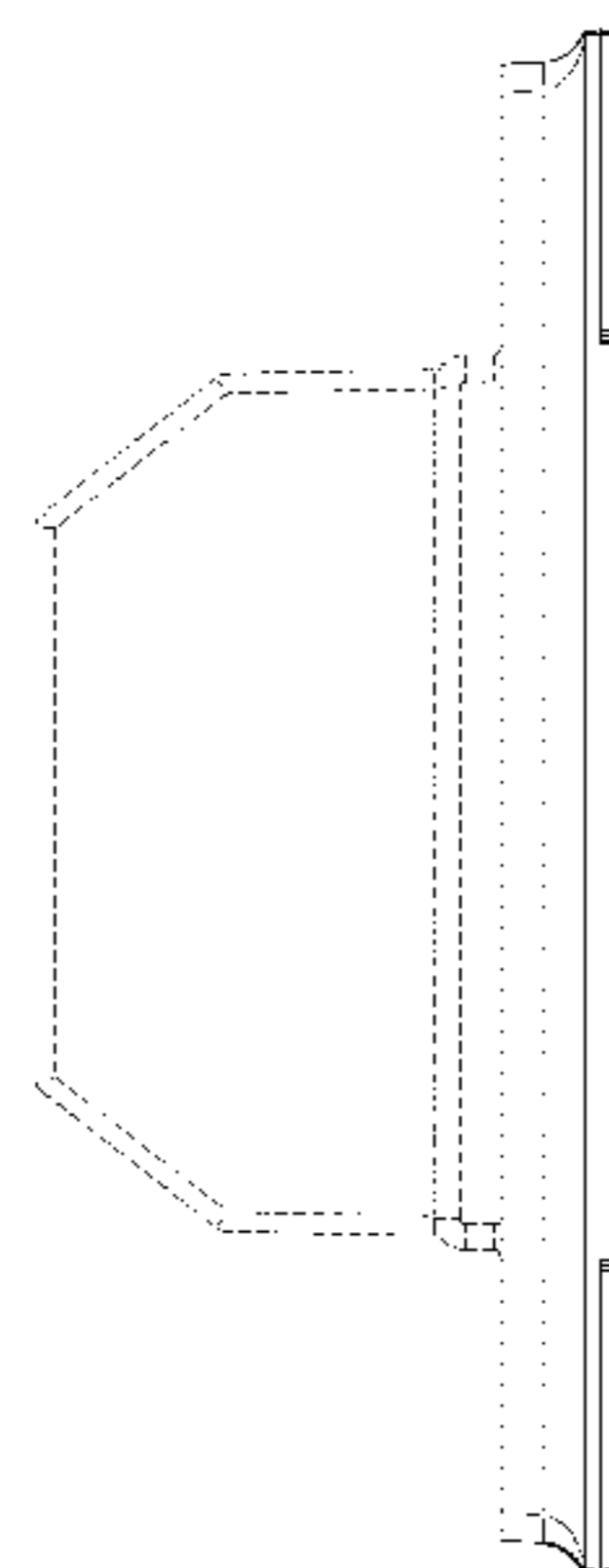
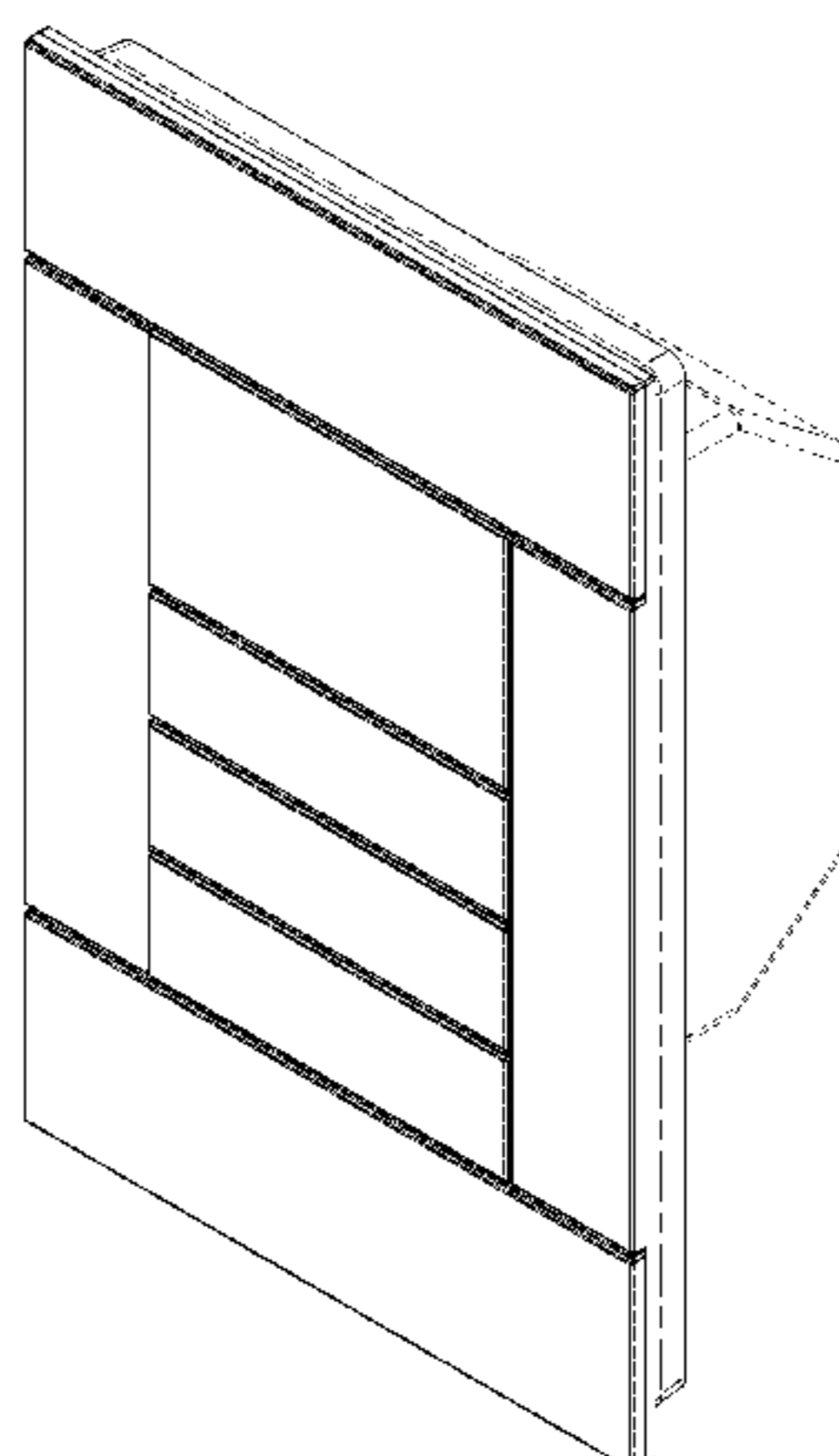


FIG. 19 shows a front perspective view of a wall mounted button panel according to a fourth embodiment.
 FIG. 20 shows a front elevation view of the wall mounted button panel according to the fourth embodiment.
 FIG. 21 shows a right side view of the wall mounted button panel according to the fourth embodiment.
 FIG. 22 shows a left side view of the wall mounted button panel according to the fourth embodiment.
 FIG. 23 shows a top view of the wall mounted button panel according to the fourth embodiment; and,
 FIG. 24 shows a bottom view of the wall mounted button panel according to the fourth embodiment.
 The broken lines in the figures depict portions of the wall mounted button panel that form no part of the claimed design.

1 Claim, 20 Drawing Sheets

Related U.S. Application Data

application No. 29/578,543, filed on Sep. 22, 2016, now Pat. No. Des. 800,672.

(58) **Field of Classification Search**

CPC .. H01H 3/12; H01H 9/02; H01H 9/16; H01H 9/18; H01H 9/181; H01H 9/182; H01H 13/04; H01H 13/14; H01H 2009/187;

H05B 33/0803; H05B 33/0863; H05B 37/02; H05B 37/0254; H05B 37/0272; H05B 39/02; H05B 39/04; H05B 39/085; H05B 39/086; H05B 39/088

See application file for complete search history.

(56)

References Cited

U.S. PATENT DOCUMENTS

D633,448	S	*	3/2011	Biery	D13/171
D669,866	S	*	10/2012	Gilbert	D10/49
D687,390	S	*	8/2013	McDonald	D13/168
D717,742	S	*	11/2014	Larkin	D13/162
D726,663	S	*	4/2015	Clymer	D13/162
D733,073	S	*	6/2015	Larkin	D13/164
D733,076	S	*	6/2015	Jacoby	D13/164
D734,277	S	*	7/2015	Jacoby	D13/164
D736,718	S	*	8/2015	Spira	D13/164
D767,513	S	*	9/2016	Jacoby	D13/164
D768,582	S	*	10/2016	Jacoby	D13/164
D769,829	S	*	10/2016	Jacoby	D13/164
D772,177	S	*	11/2016	Hickok	D13/177
D792,358	S	*	7/2017	Poulheim	D13/164
D797,684	S	*	9/2017	Poulheim	D13/164
D800,669	S	*	10/2017	Poulheim	D13/162
D800,671	S	*	10/2017	Poulheim	D13/164
D800,672	S	*	10/2017	Poulheim	D13/164
D813,177	S	*	3/2018	Poulheim	D13/164
2016/0069537	A1	*	3/2016	Dimberg	G09G 3/20 362/23.04

* cited by examiner

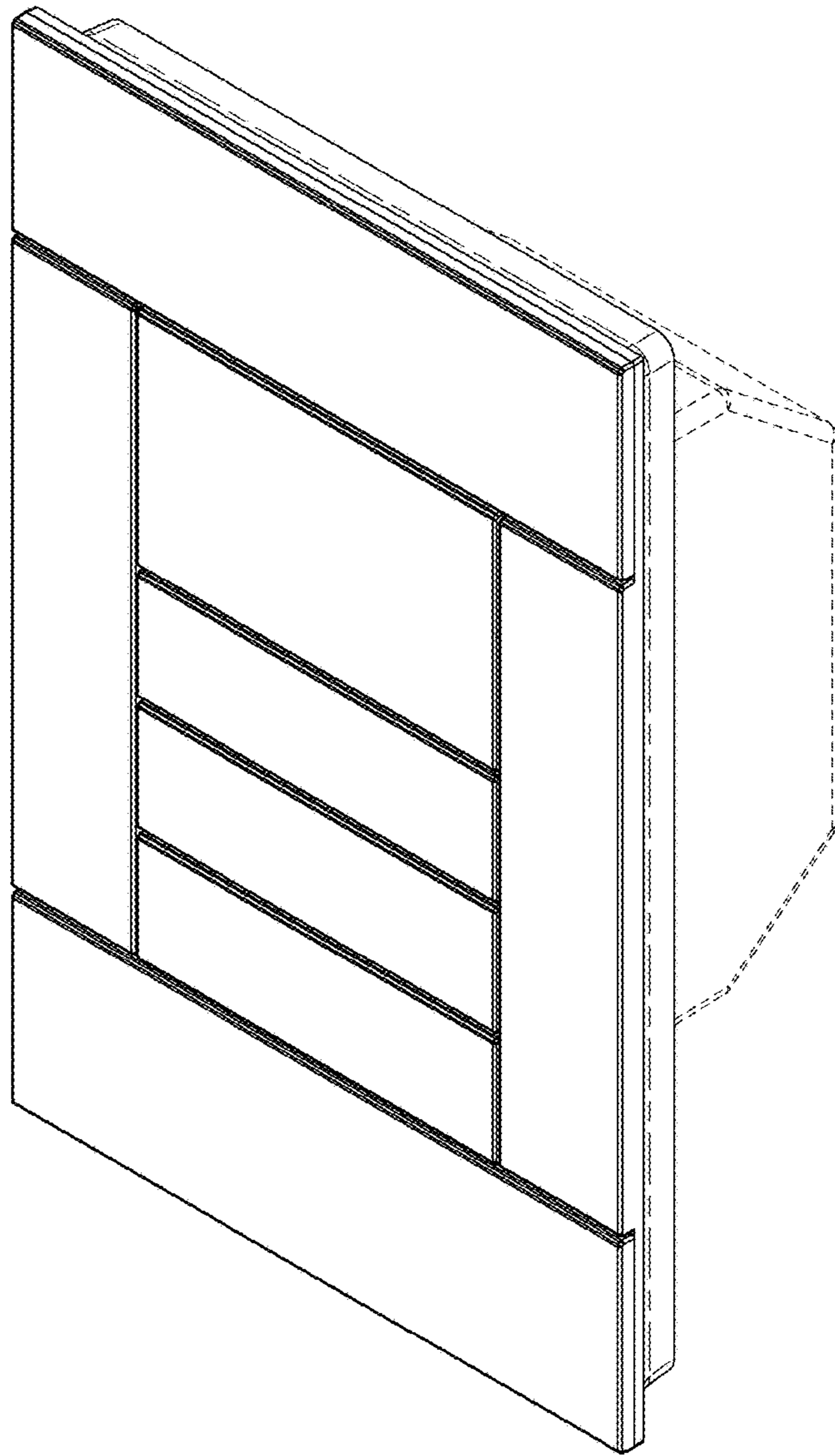


FIG. 1

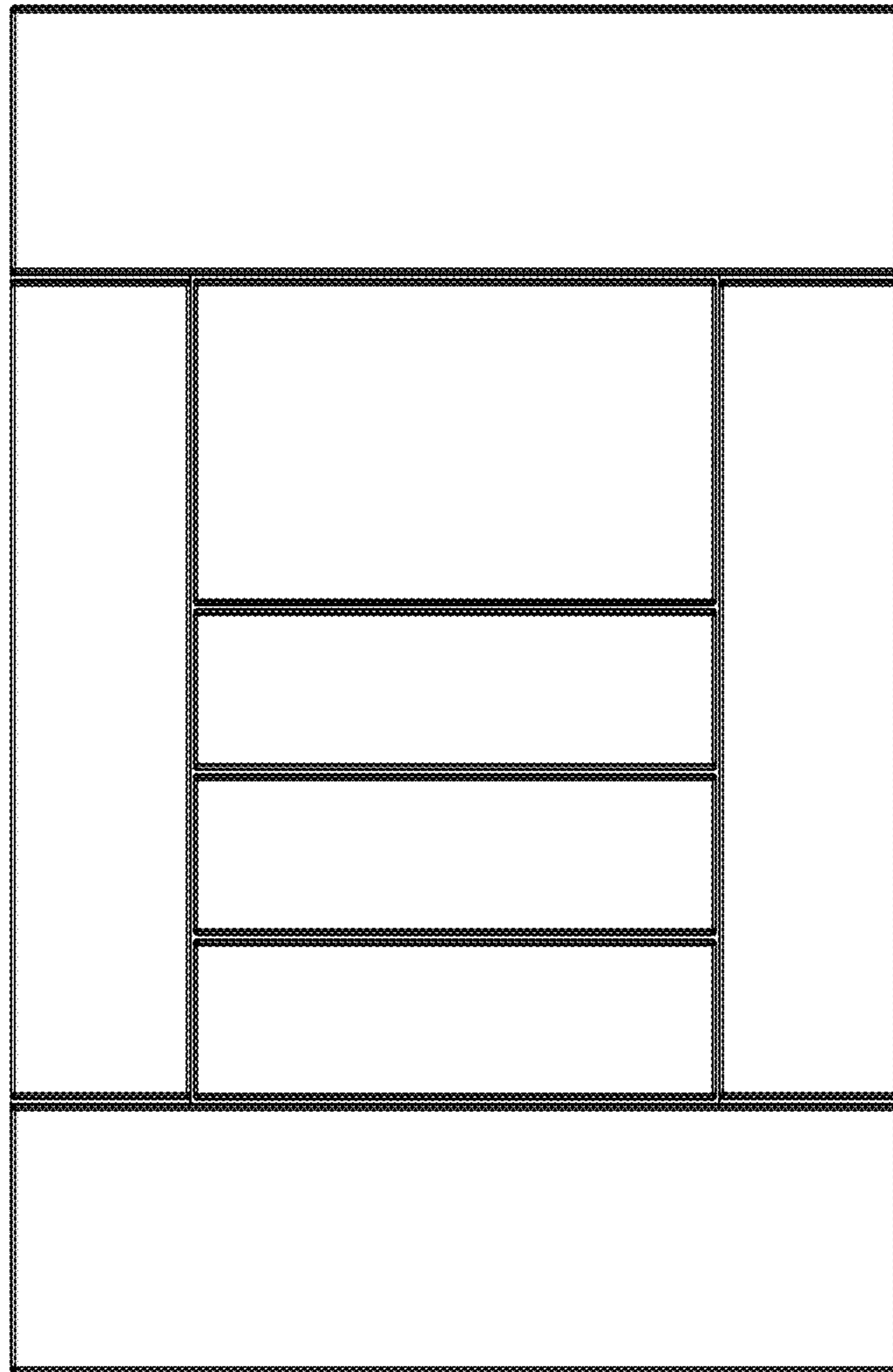


FIG. 2

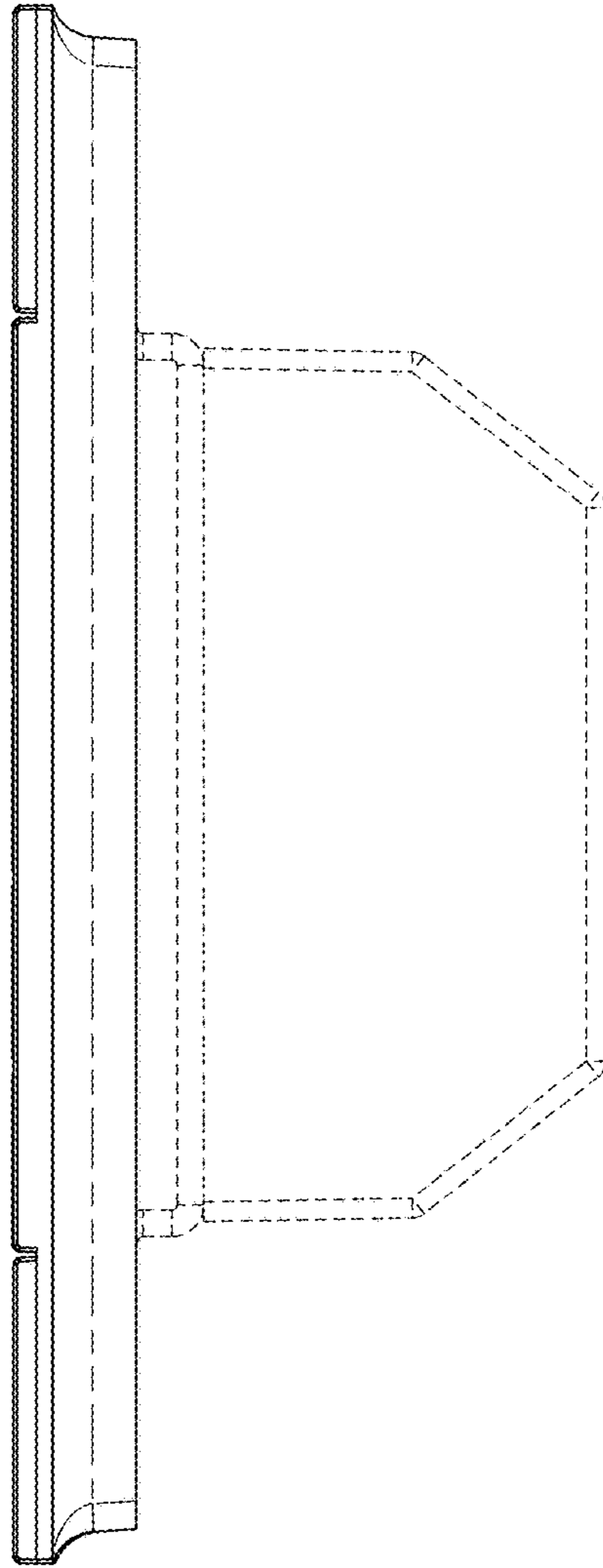


FIG. 3

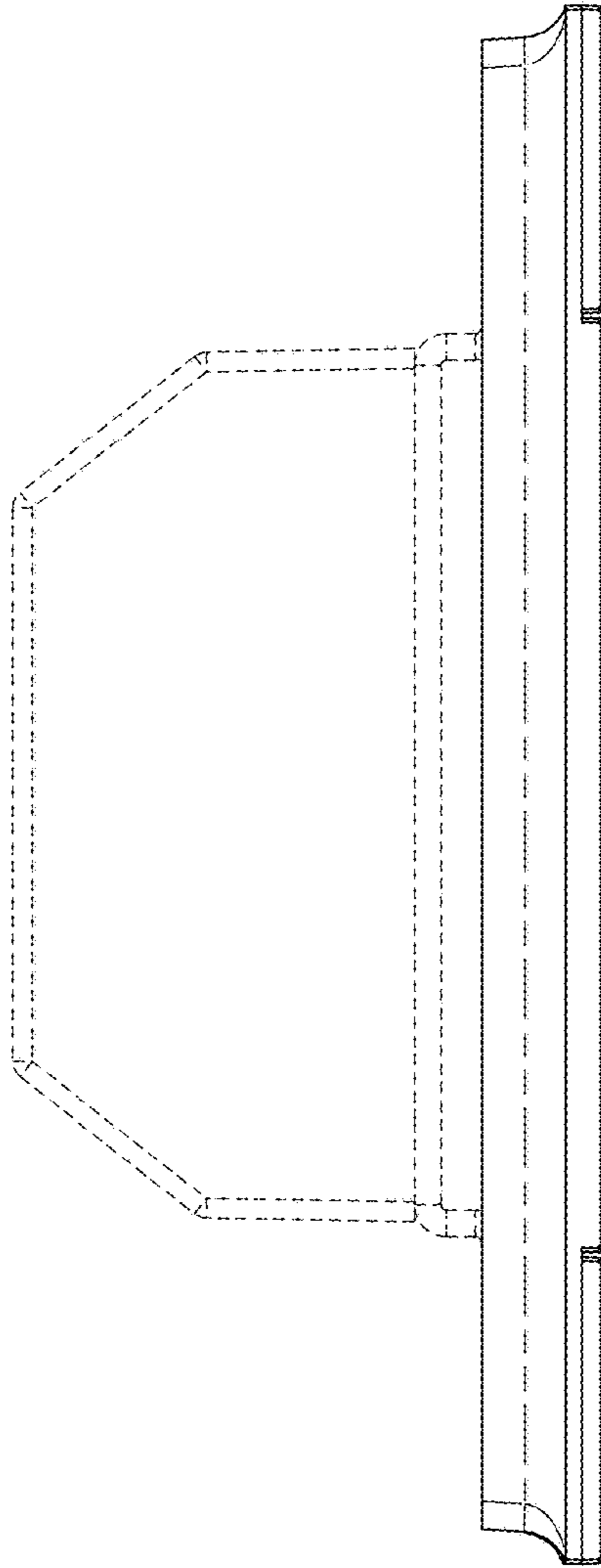


FIG. 4

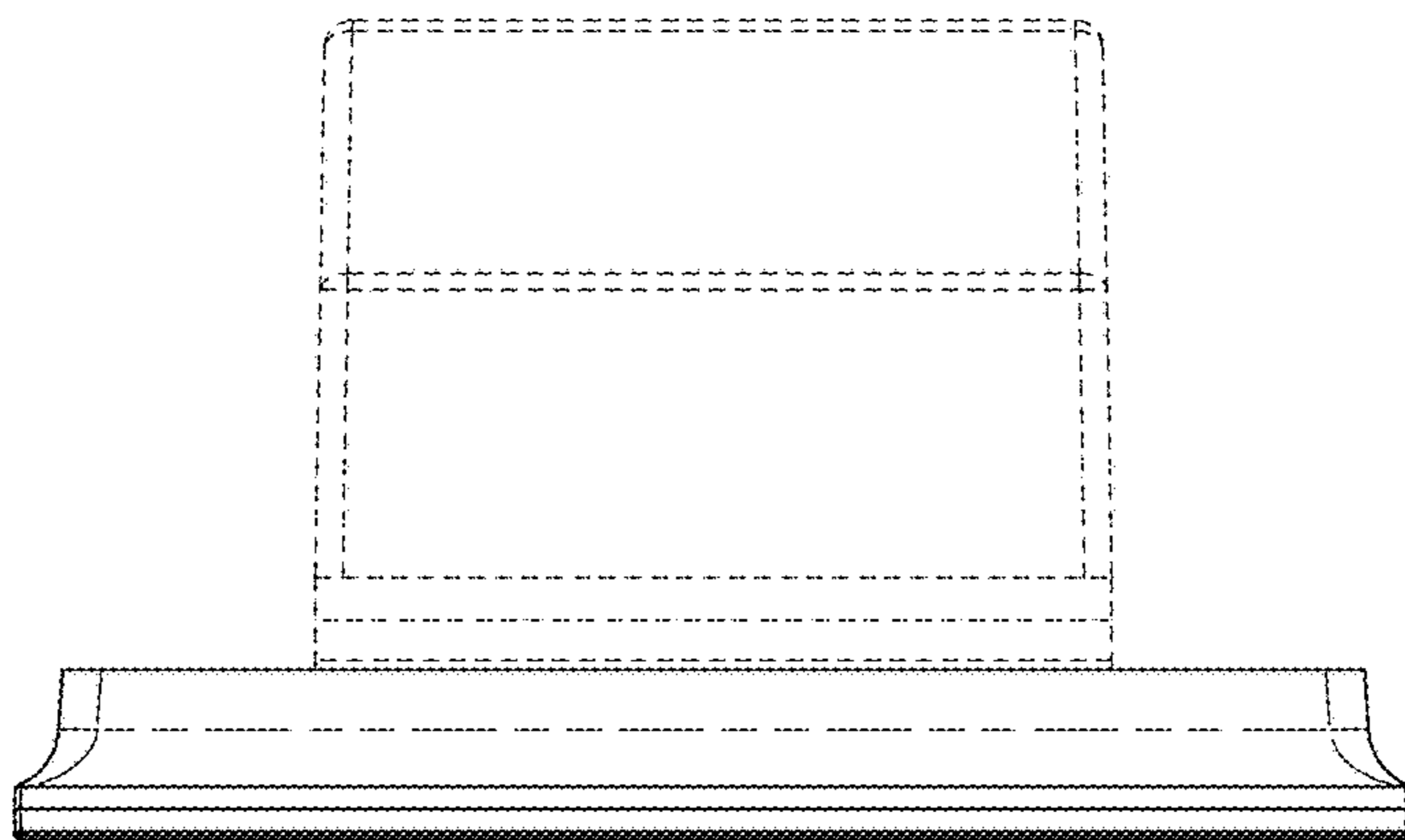


FIG. 5

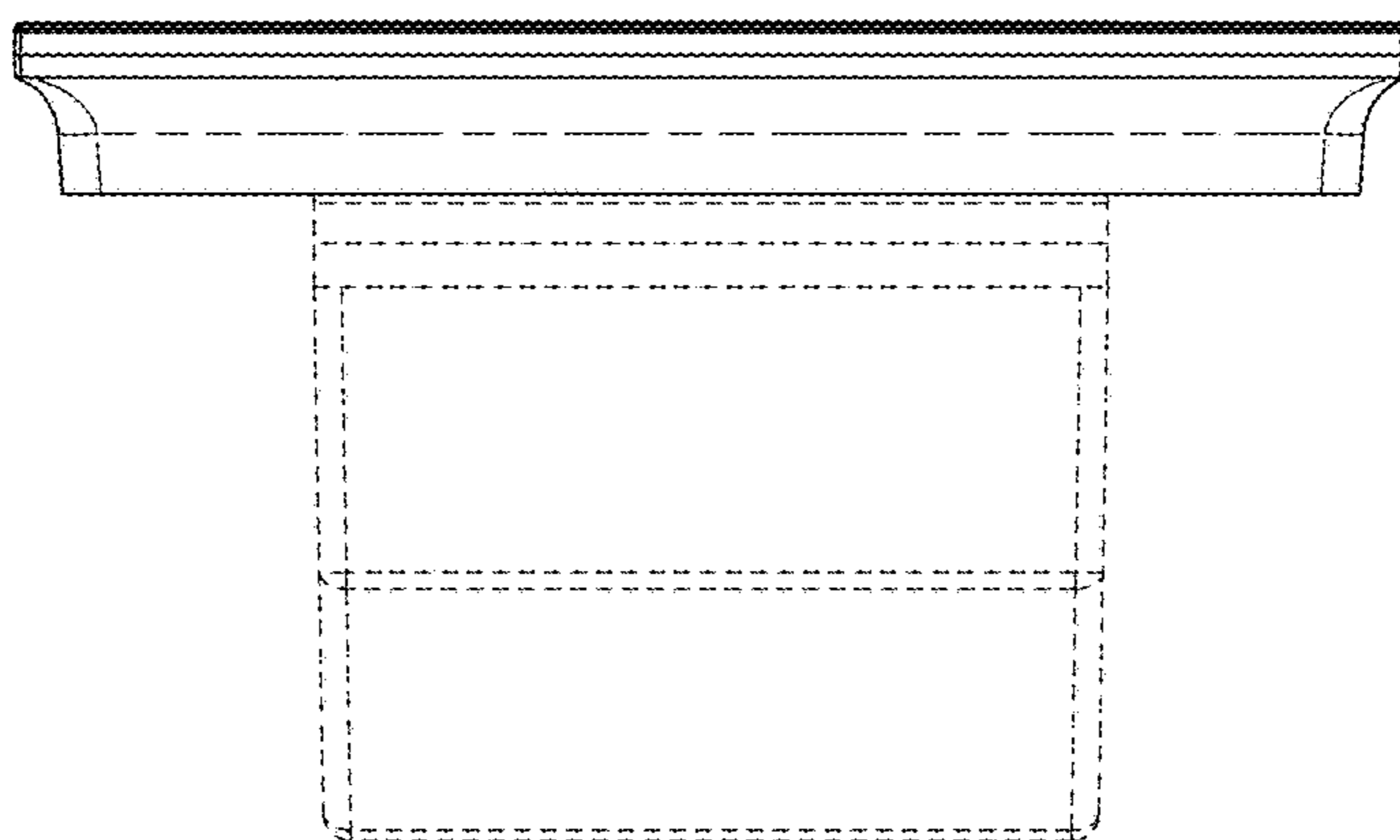


FIG. 6

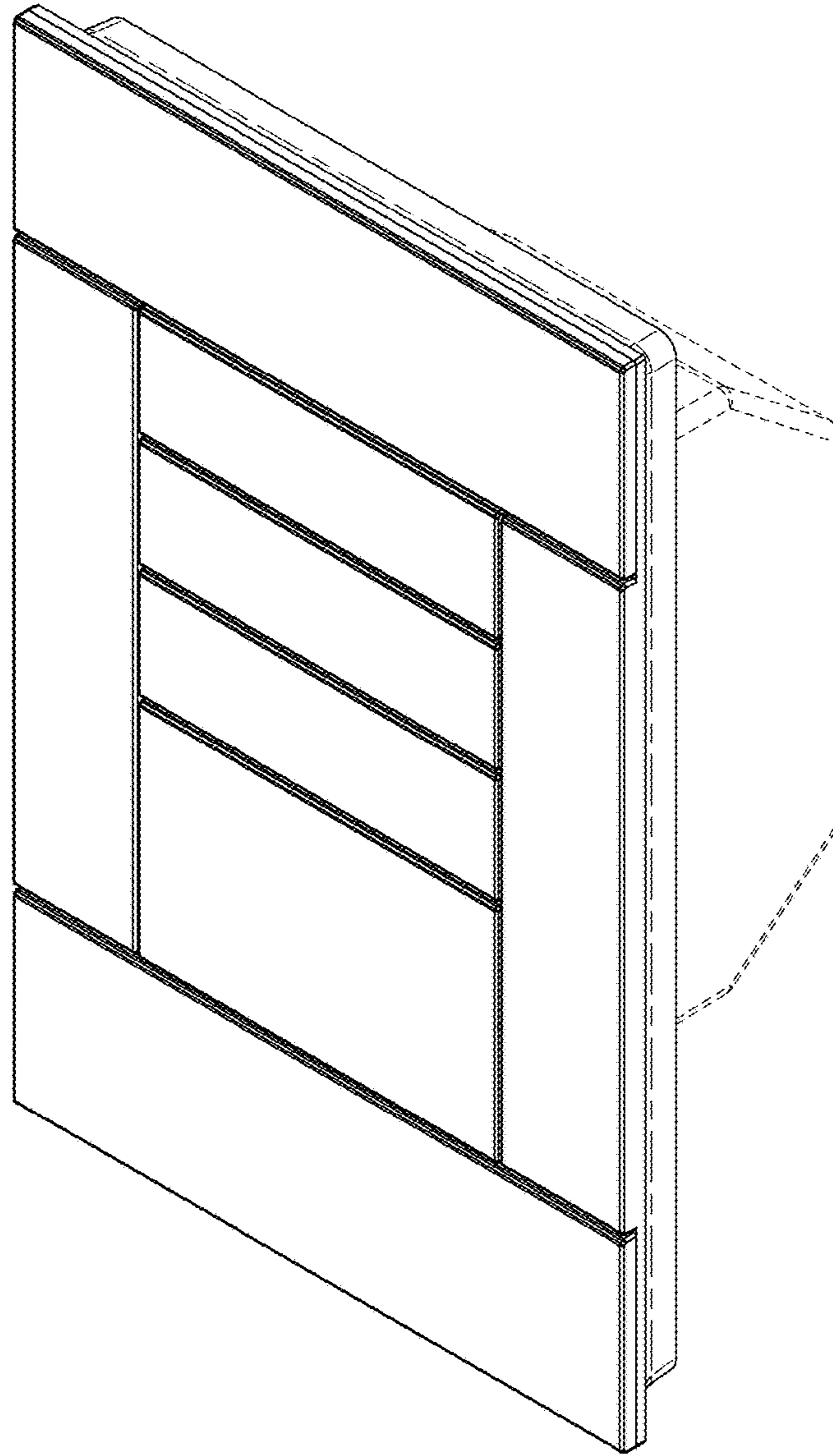


FIG. 7

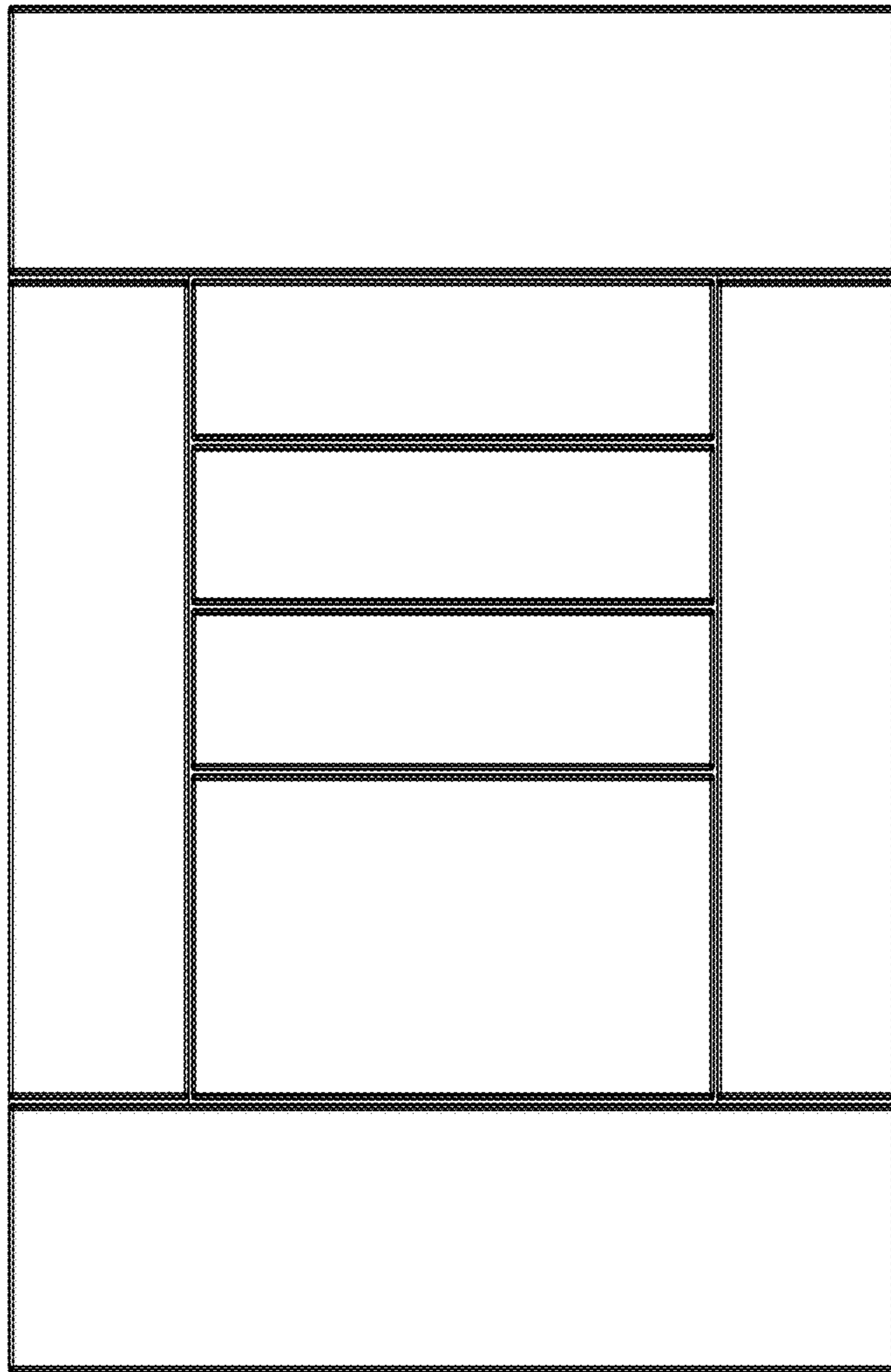


FIG. 8

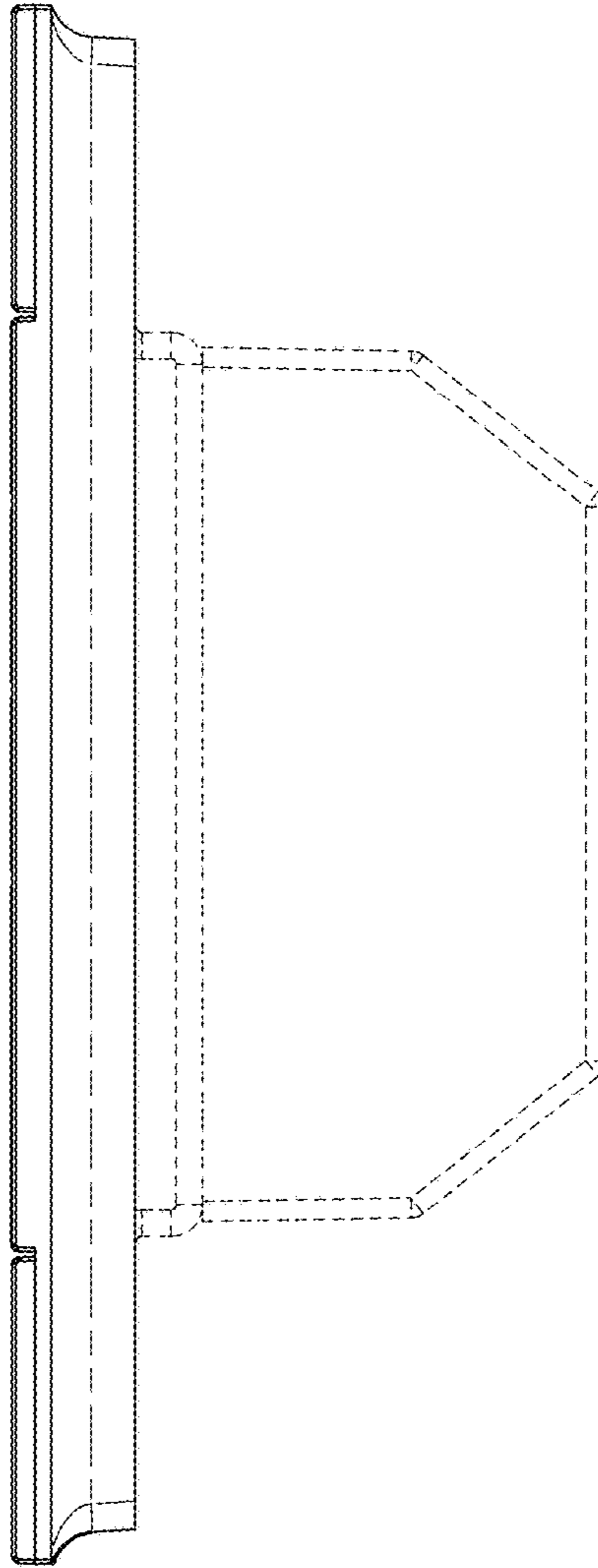


FIG. 9

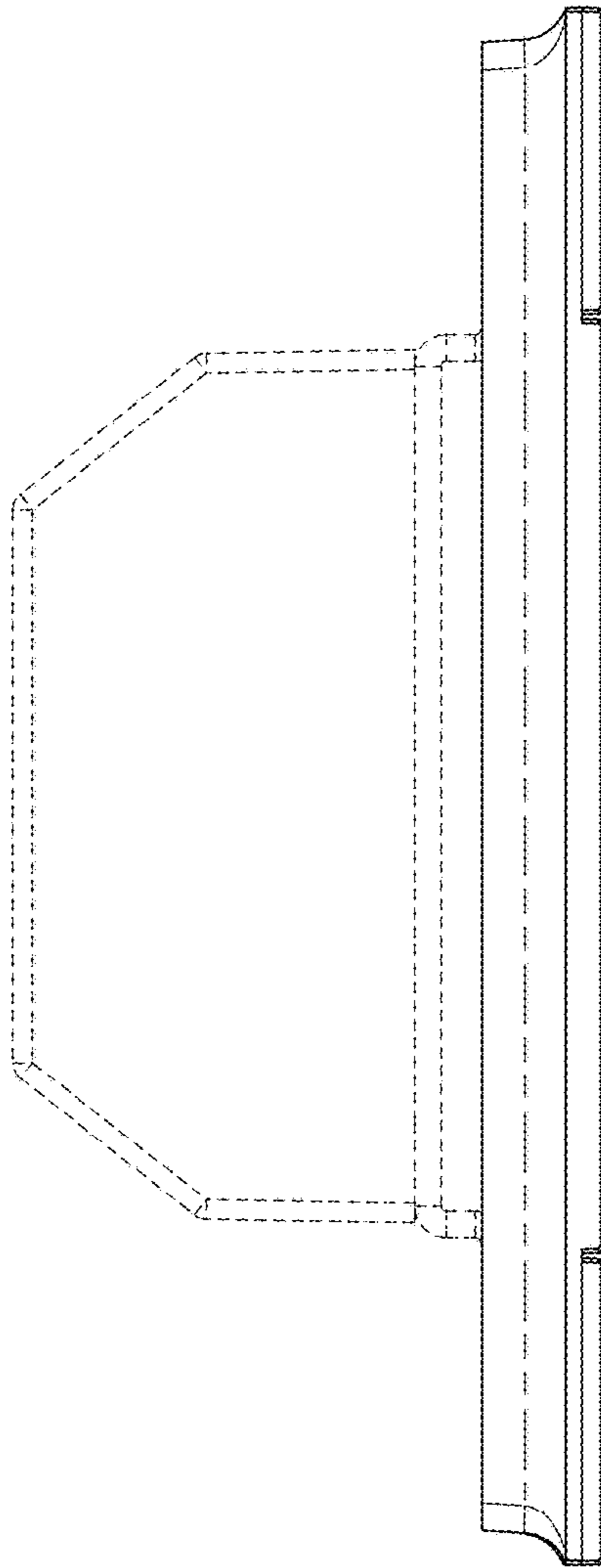


FIG. 10

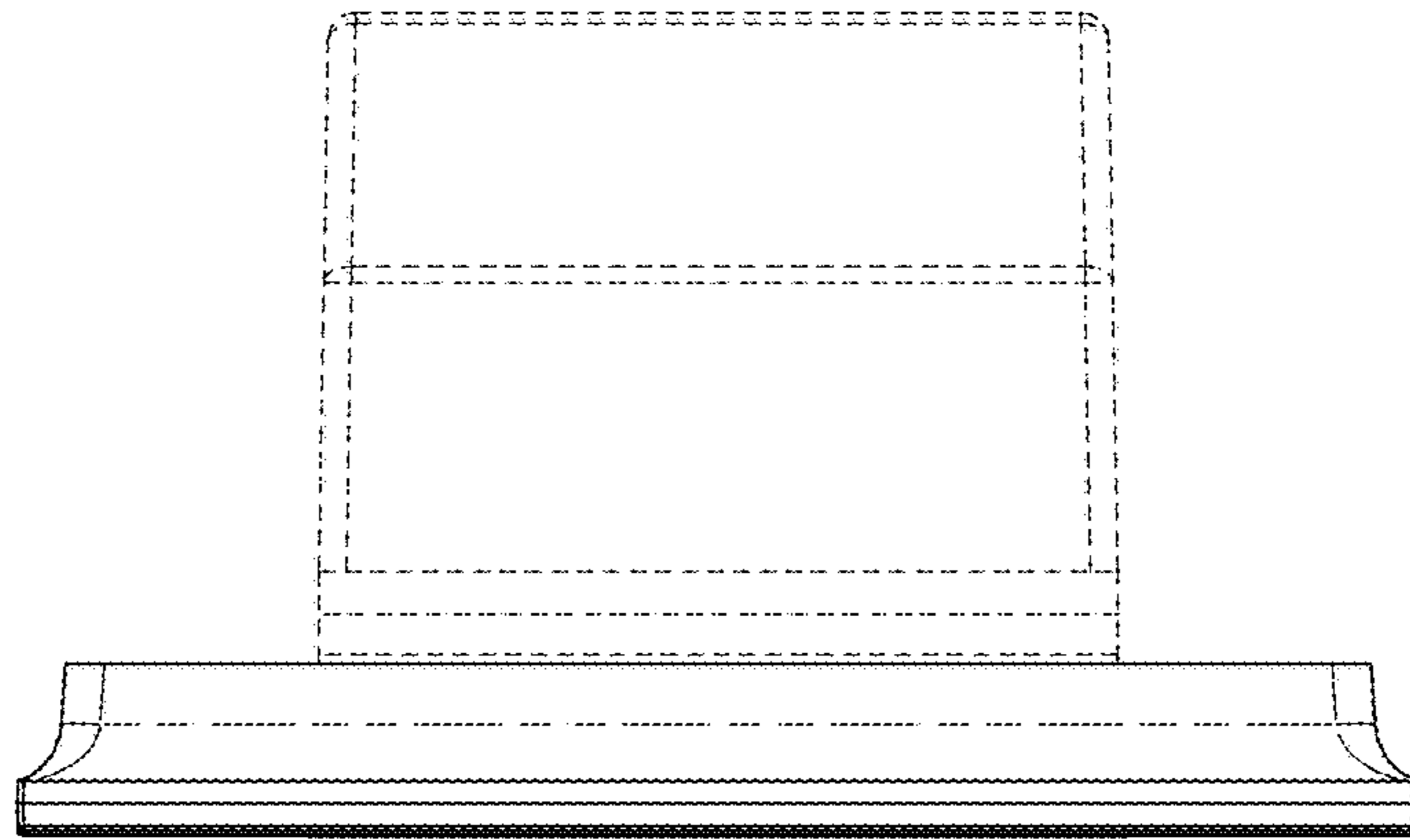


FIG. 11

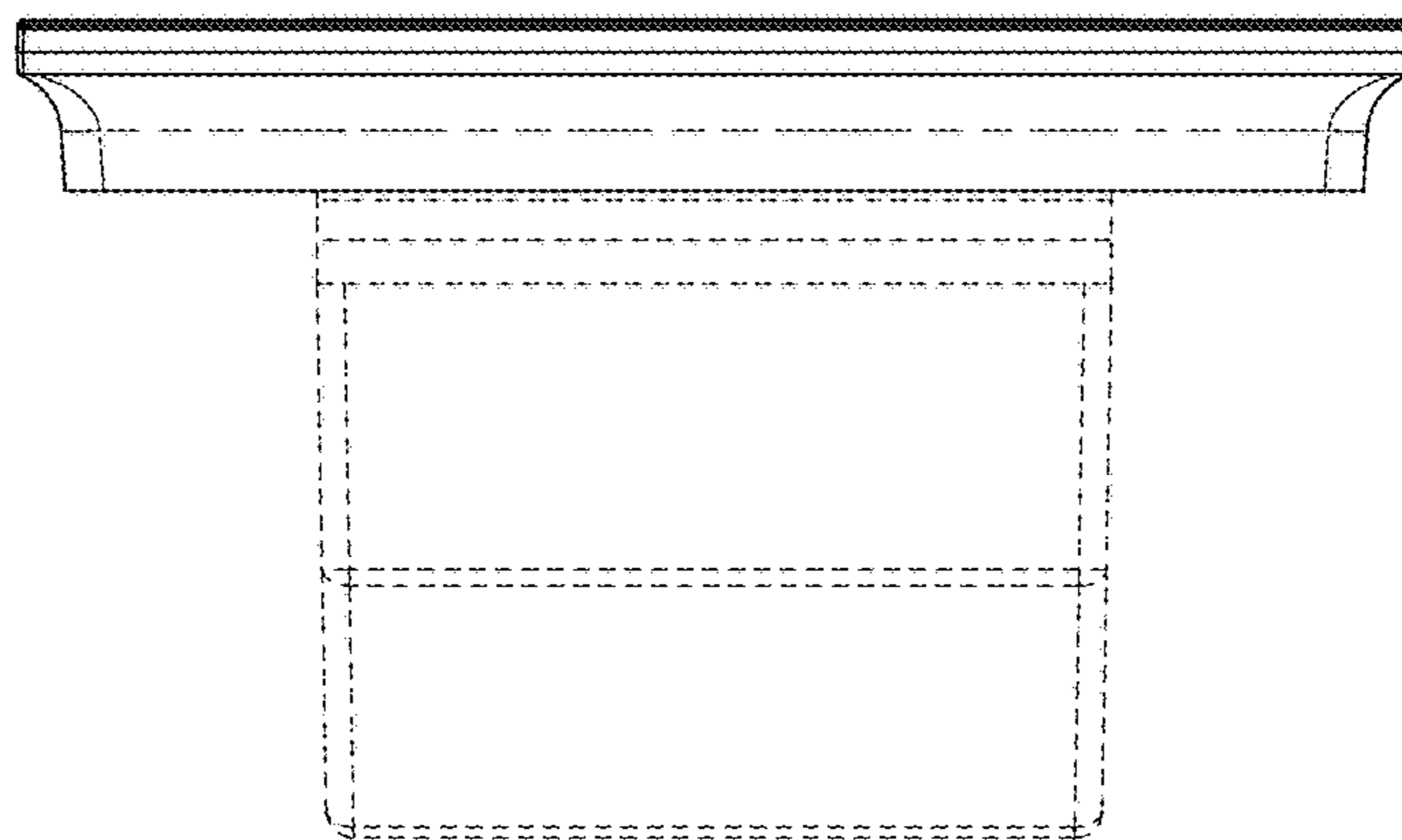


FIG. 12

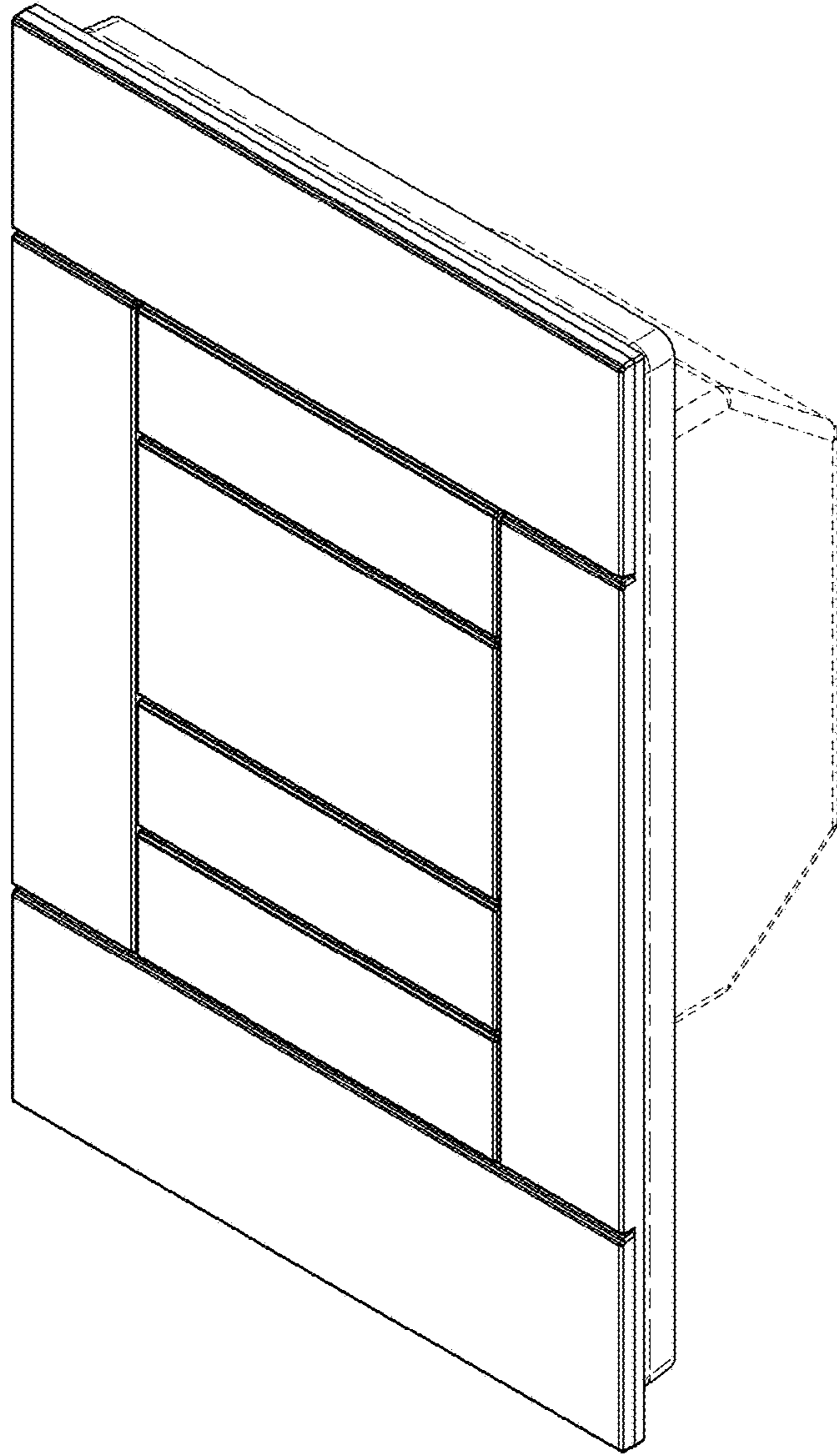


FIG. 13

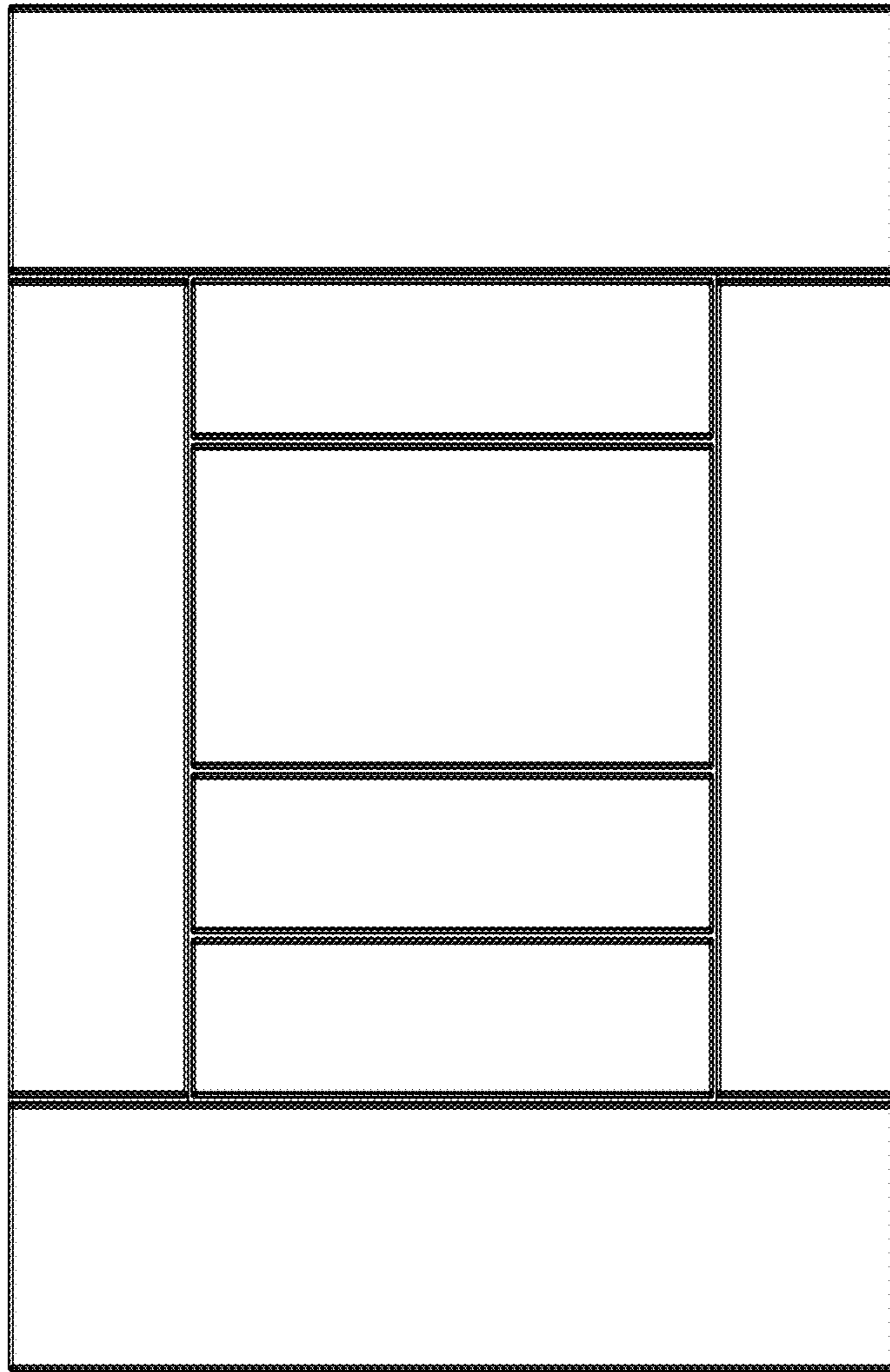


FIG. 14

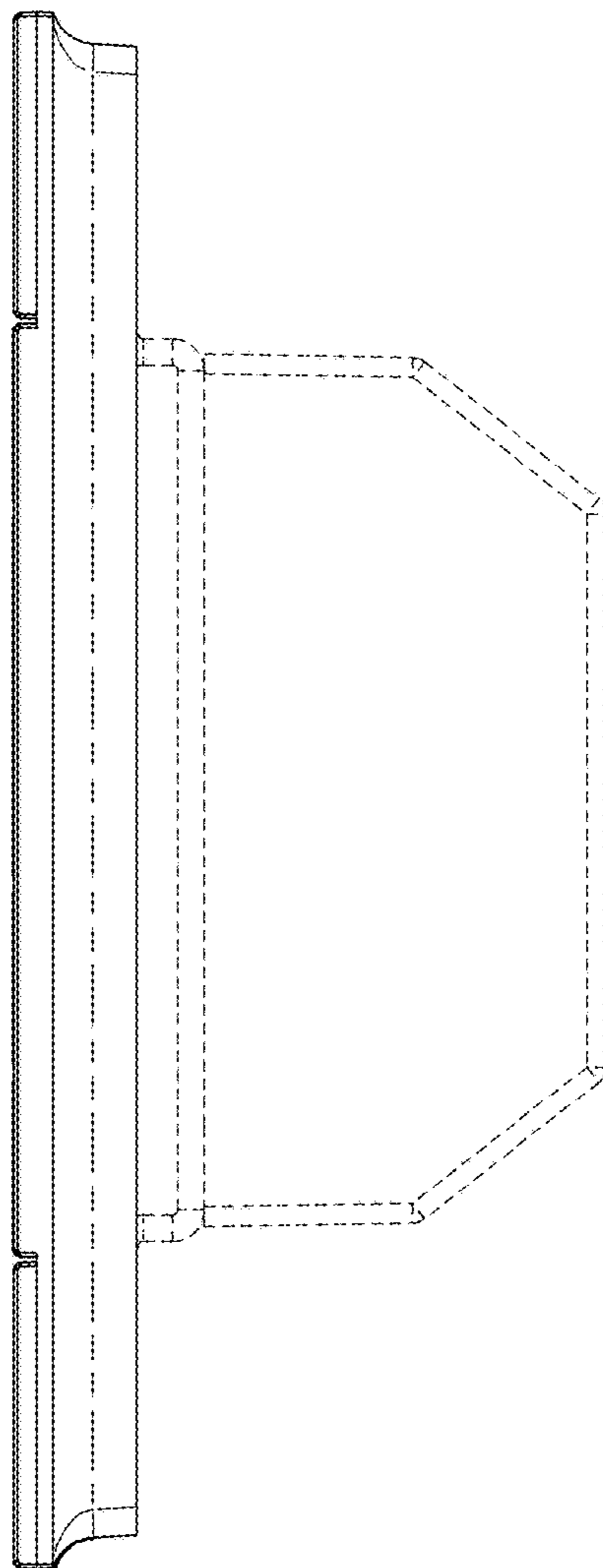


FIG. 15

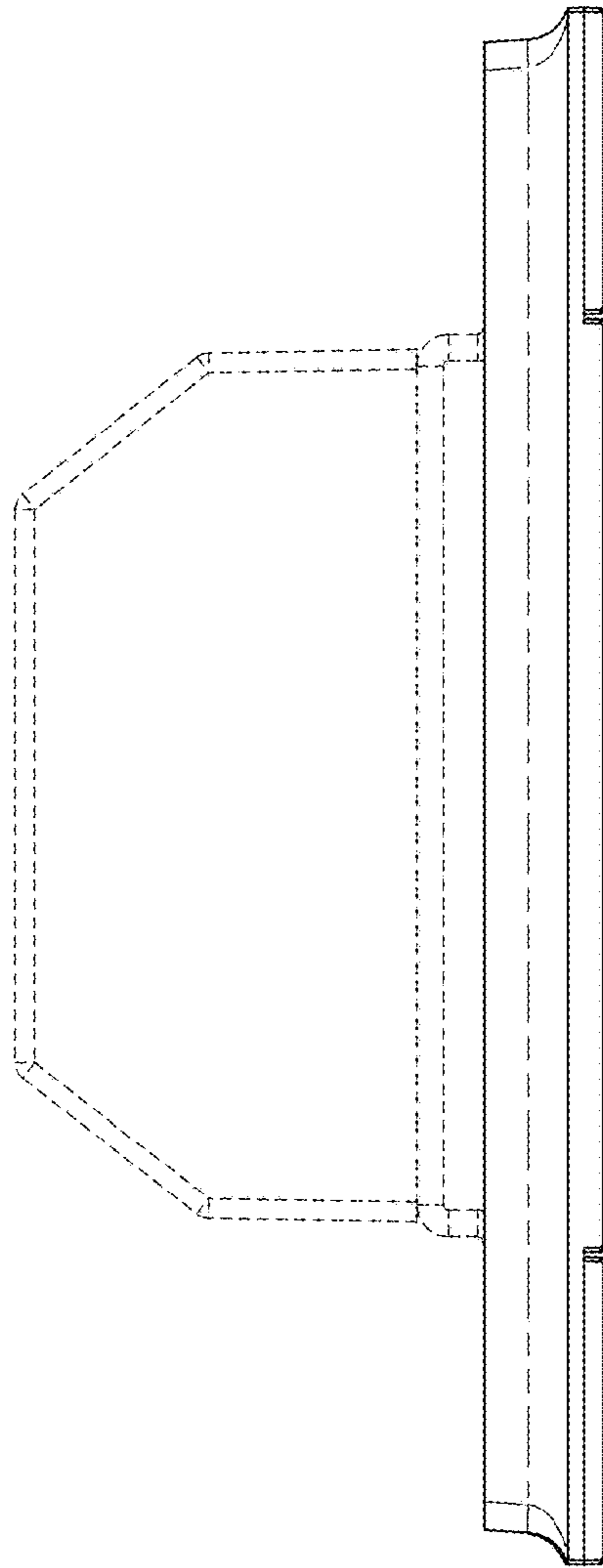


FIG. 16

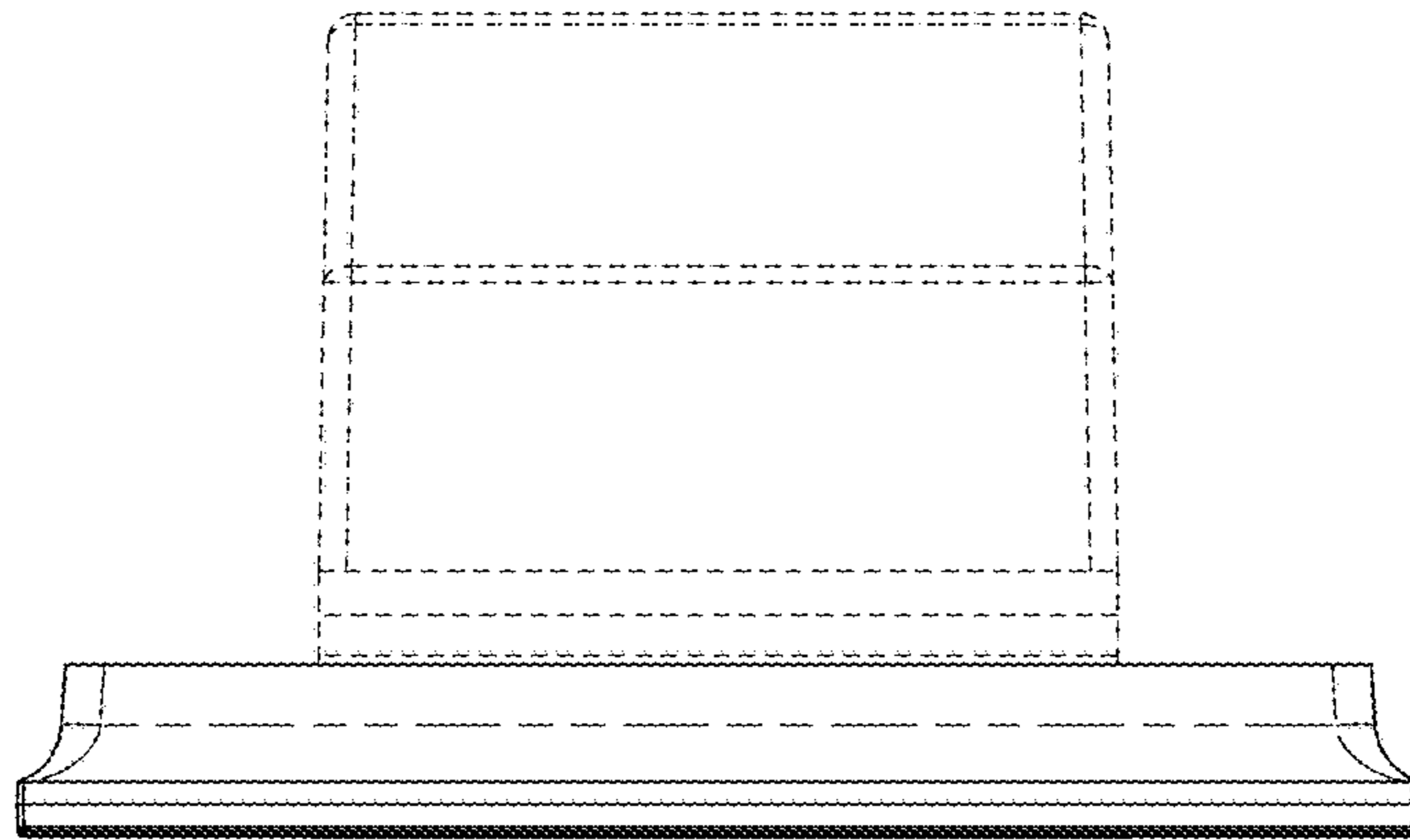


FIG. 17

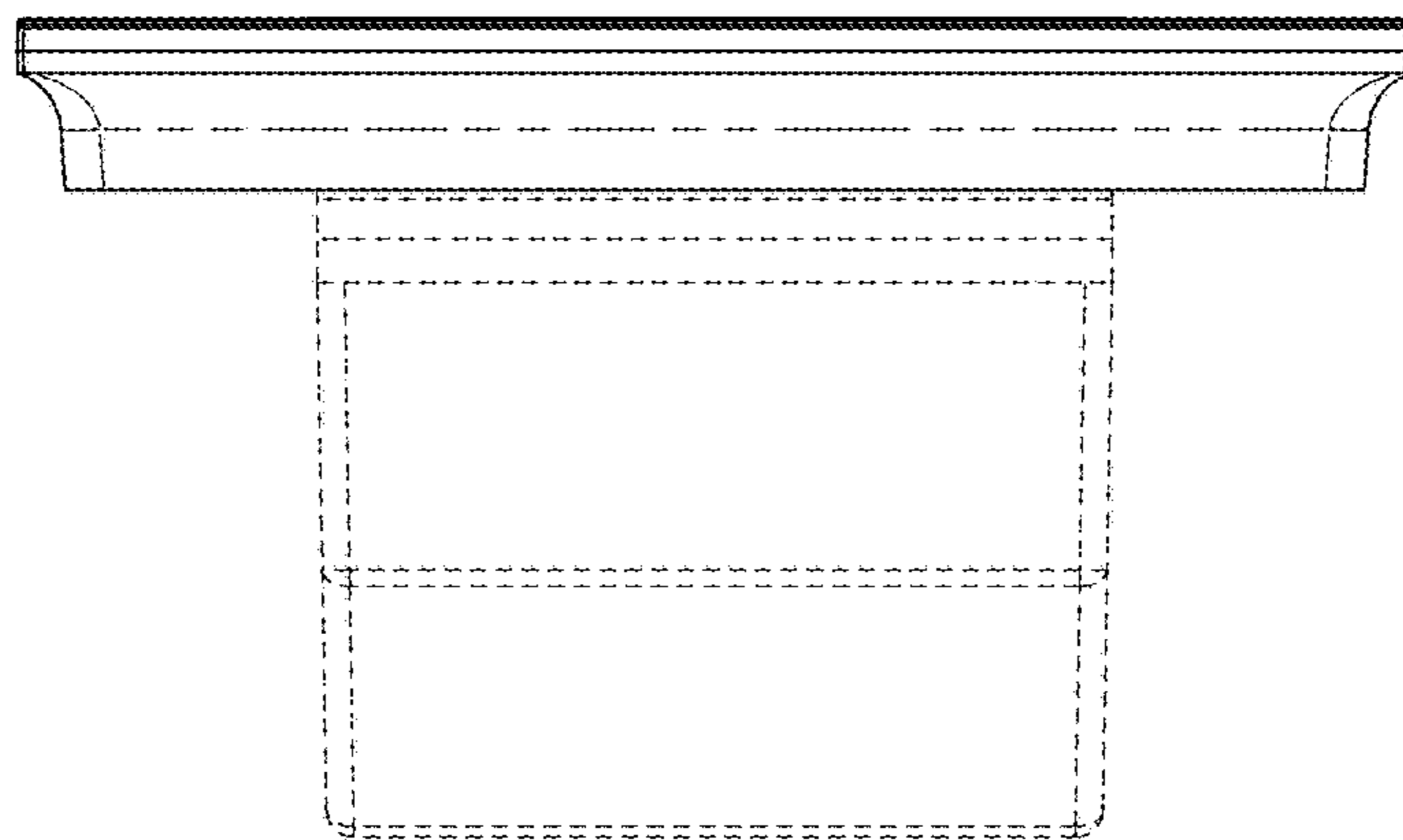


FIG. 18

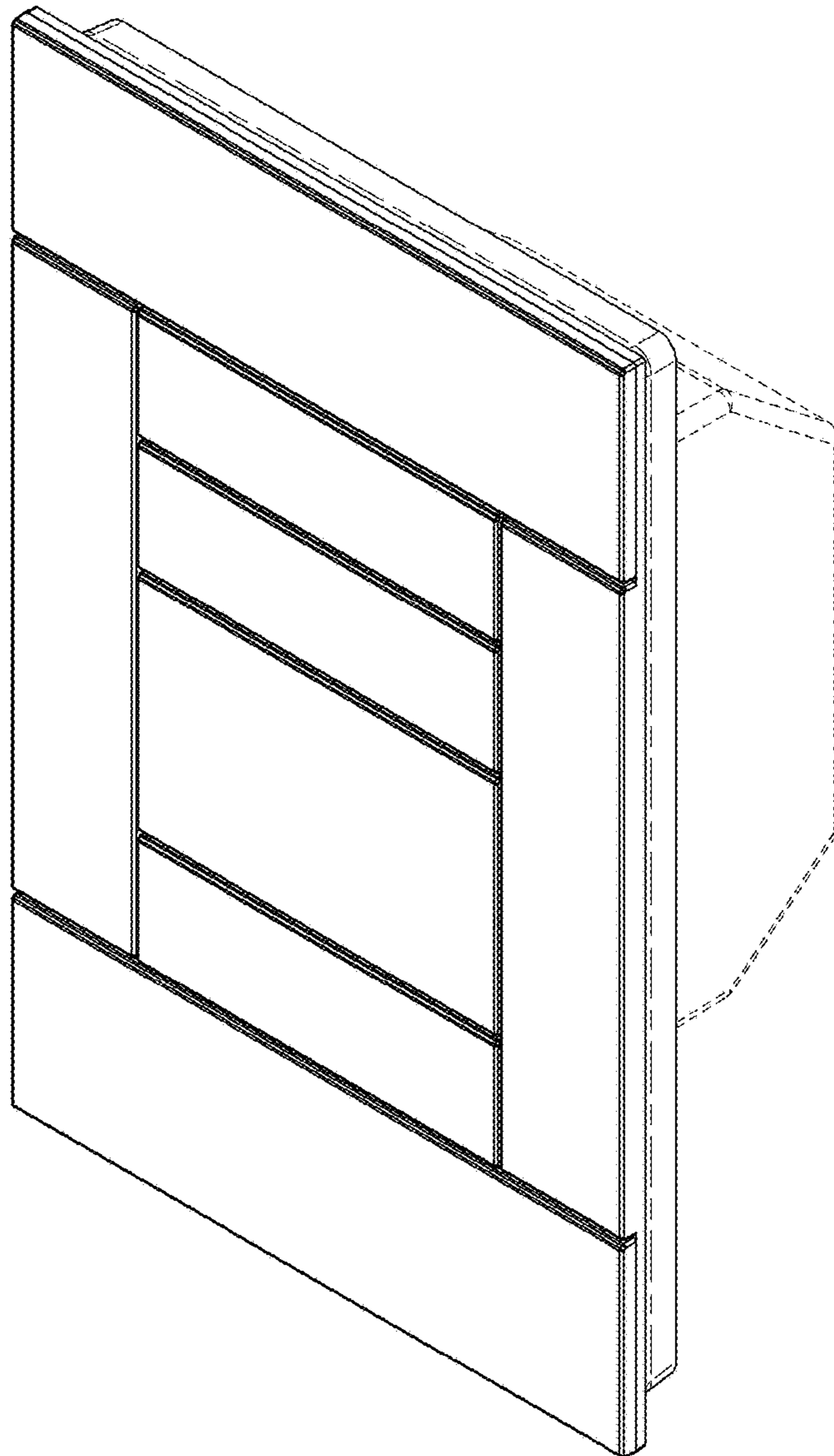


FIG. 19

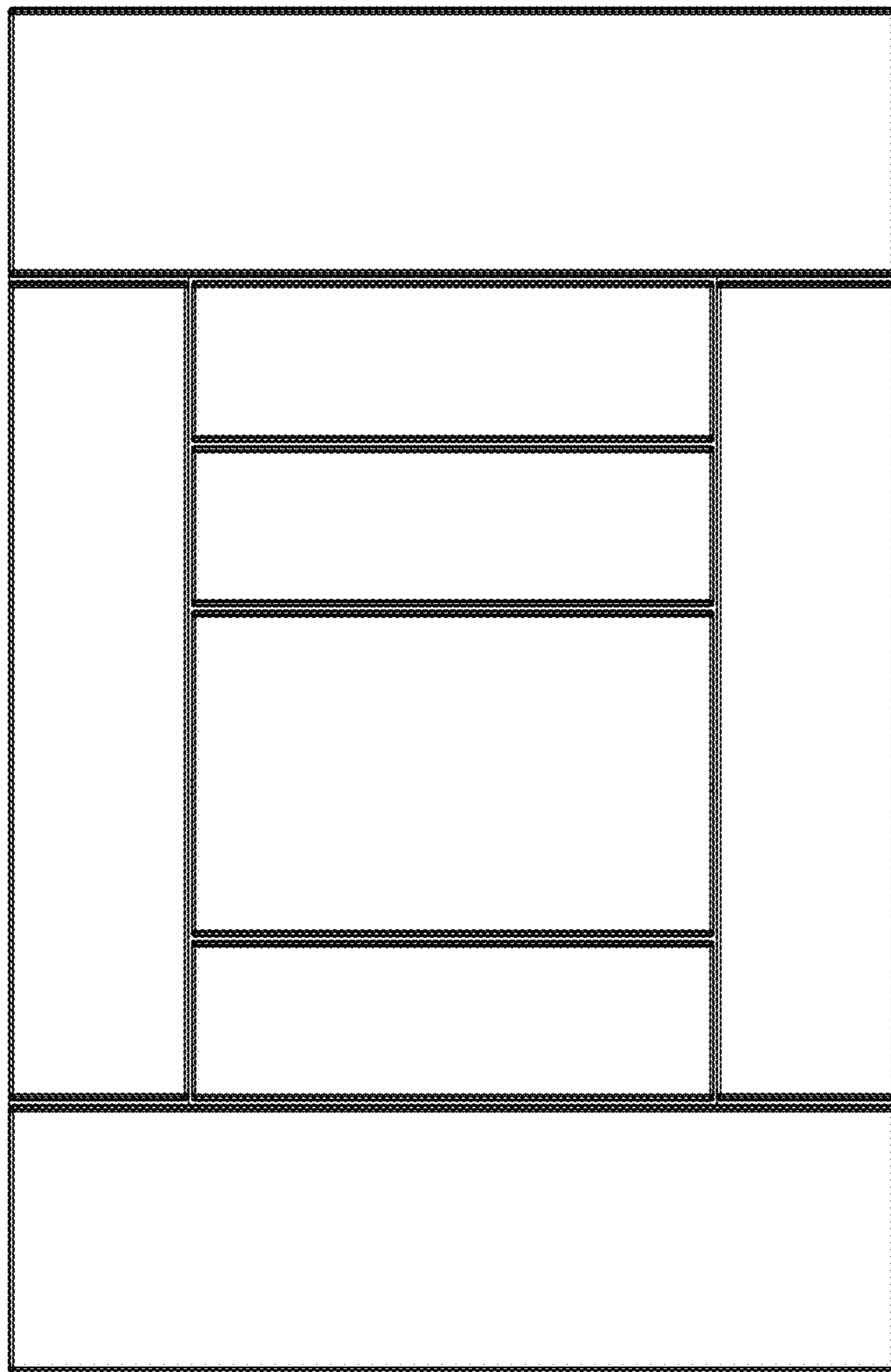


FIG. 20

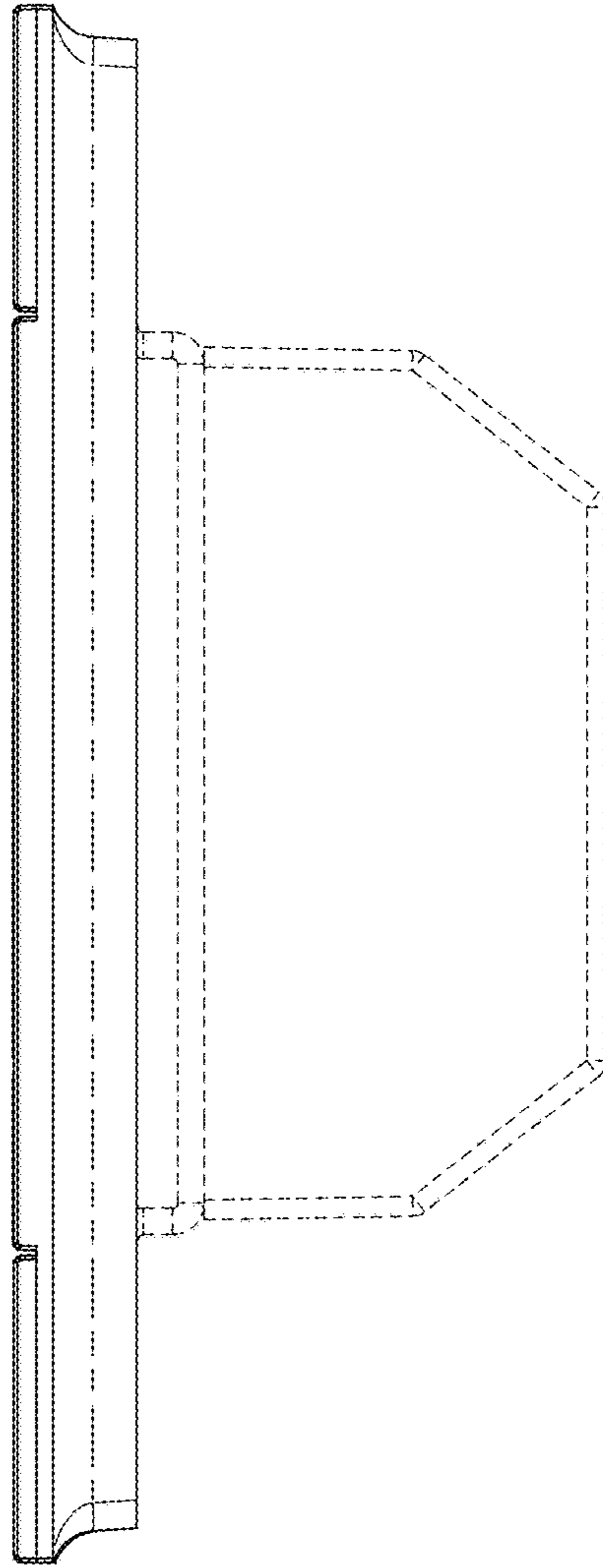


FIG. 21

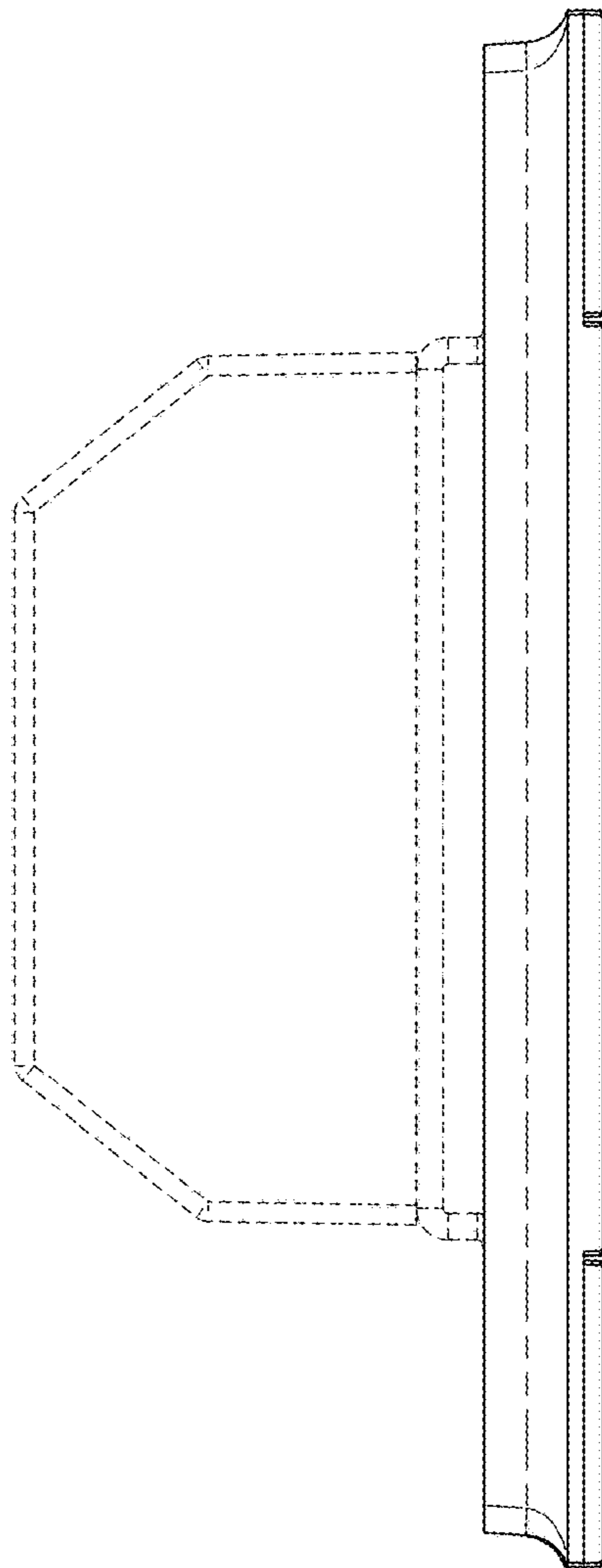


FIG. 22

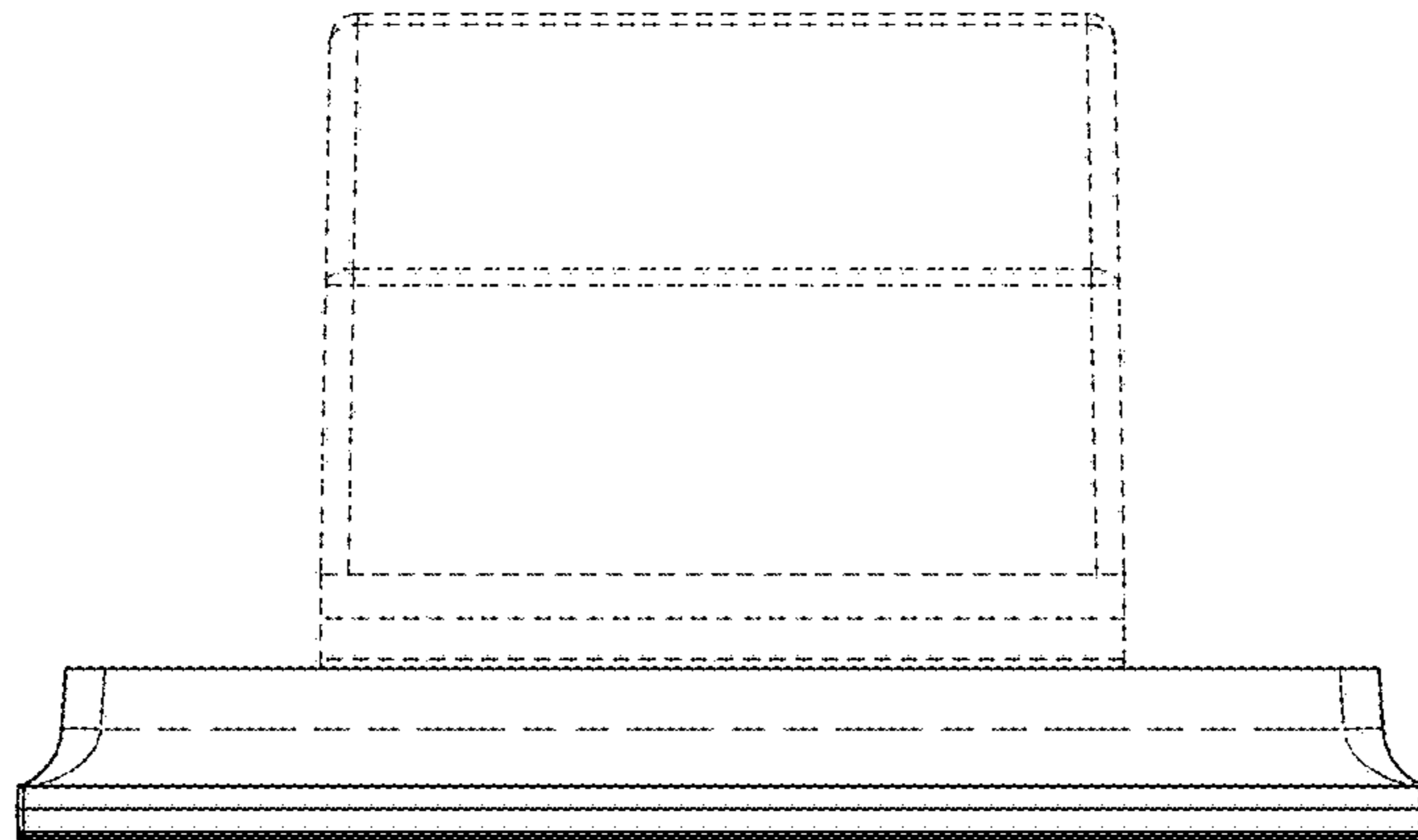


FIG. 23

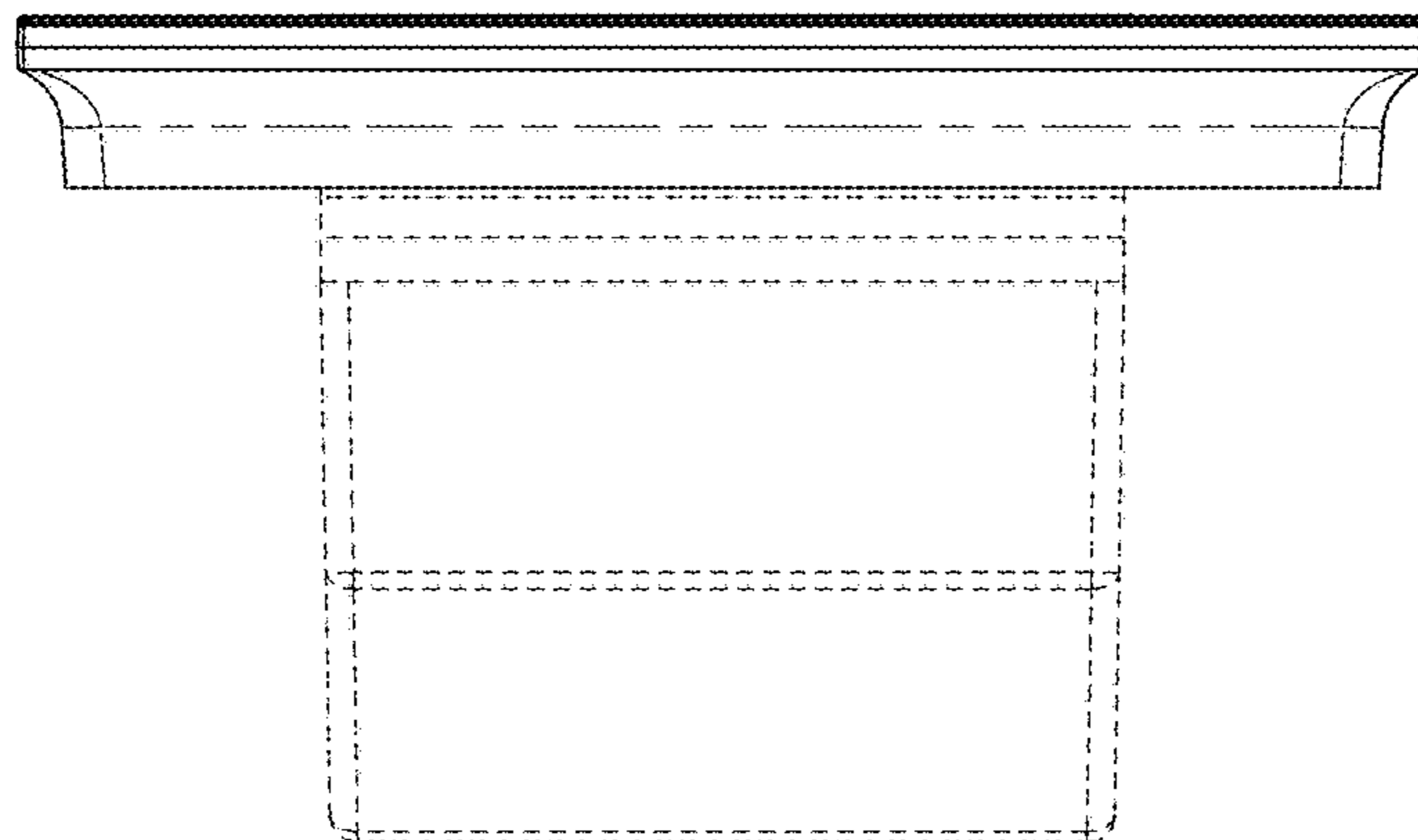


FIG. 24