



US00D834539S

(12) **United States Design Patent** (10) **Patent No.:** **US D834,539 S**
Poulheim et al. (45) **Date of Patent:** **** *Nov. 27, 2018**

(54) **WALL MOUNTED BUTTON PANEL**

(56) **References Cited**

(71) Applicant: **Crestron Electronics, Inc.**, Rockleigh, NJ (US)

(72) Inventors: **André Poulheim**, Frechen (DE); **Stefan Kenta Hohn**, Cologne (DE); **Evan Ackmann**, Hoboken, NJ (US)

(73) Assignee: **Crestron Electronics, Inc.**, Rockleigh, NJ (US)

(*) Notice: This patent is subject to a terminal disclaimer.

(**) Term: **15 Years**

(21) Appl. No.: **29/622,561**

(22) Filed: **Oct. 18, 2017**

U.S. PATENT DOCUMENTS

D351,099	S	*	10/1994	Flasz	D8/353
5,999,083	A	*	12/1999	Kordecki	H01C 10/103 338/113
D633,448	S	*	3/2011	Biery	D13/171
D669,866	S	*	10/2012	Gilbert	D10/49
D687,390	S	*	8/2013	McDonald	D13/168
D717,742	S	*	11/2014	Larkin	D13/162
D726,663	S	*	4/2015	Clymer	D13/162
D733,073	S	*	6/2015	Larkin	D13/164
D733,076	S	*	6/2015	Jacoby	D13/164
D734,277	S	*	7/2015	Jacoby	D13/164
D736,718	S	*	8/2015	Spira	D13/164
D767,513	S	*	9/2016	Jacoby	D13/164
D768,582	S	*	10/2016	Jacoby	D13/164
D769,829	S	*	10/2016	Jacoby	D13/164

(Continued)

Primary Examiner — Selina Sikder

(74) Attorney, Agent, or Firm — Crestron Electronics, Inc.

Related U.S. Application Data

(60) Continuation-in-part of application No. 29/597,709, filed on Mar. 20, 2017, now Pat. No. Des. 813,177, which is a division of application No. 29/578,576, filed on Sep. 22, 2016, now Pat. No. Des. 792,358.

(51) **LOC (11) Cl.** **13-03**

(52) **U.S. Cl.**
USPC **D13/164**

(58) **Field of Classification Search**
USPC D13/162, 164, 171, 177
CPC .. H01H 3/12; H01H 9/02; H01H 9/16; H01H 9/18; H01H 9/181; H01H 9/182; H01H 13/04; H01H 13/14; H01H 2009/187; H05B 33/0803; H05B 33/0863; H05B 37/02; H05B 37/0254; H05B 37/0272; H05B 39/02; H05B 39/04; H05B 39/085; H05B 39/086; H05B 39/088

See application file for complete search history.

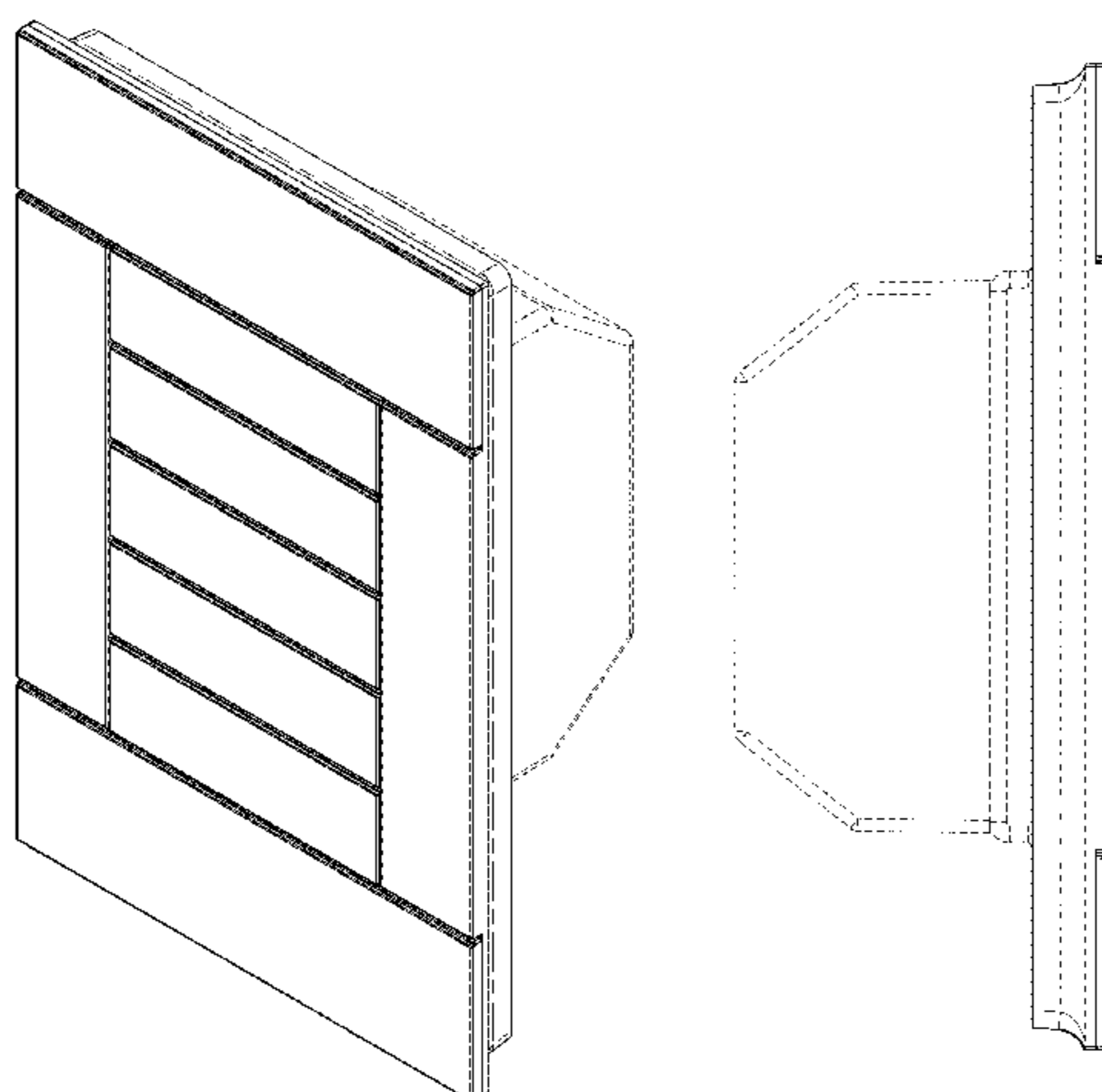
(57) **CLAIM**

The ornamental design for a wall mounted button panel, as shown and described.

DESCRIPTION

FIG. 1 shows a front perspective view of a wall mounted button panel.
FIG. 2 shows a front elevation view of the wall mounted button panel.
FIG. 3 shows a right side view of the wall mounted button panel.
FIG. 4 shows a left side view of the wall mounted button panel.
FIG. 5 shows a top view of the wall mounted button panel; and,
FIG. 6 shows a bottom view of the wall mounted button panel.

(Continued)



The broken lines in the figures depict portions of the wall mounted button panel that form no part of the claimed design.

1 Claim, 5 Drawing Sheets

(56) **References Cited**

U.S. PATENT DOCUMENTS

D772,177 S *	11/2016	Hickok	D13/177
D792,358 S *	7/2017	Poulheim	D13/164
D797,684 S *	9/2017	Poulheim	D13/164
D800,669 S *	10/2017	Poulheim	D13/162
D800,671 S *	10/2017	Poulheim	D13/164
D800,672 S *	10/2017	Poulheim	D13/164
D813,177 S *	3/2018	Poulheim	D13/164
2016/0069537 A1 *	3/2016	Dimberg	G09G 3/20 362/23.04

* cited by examiner

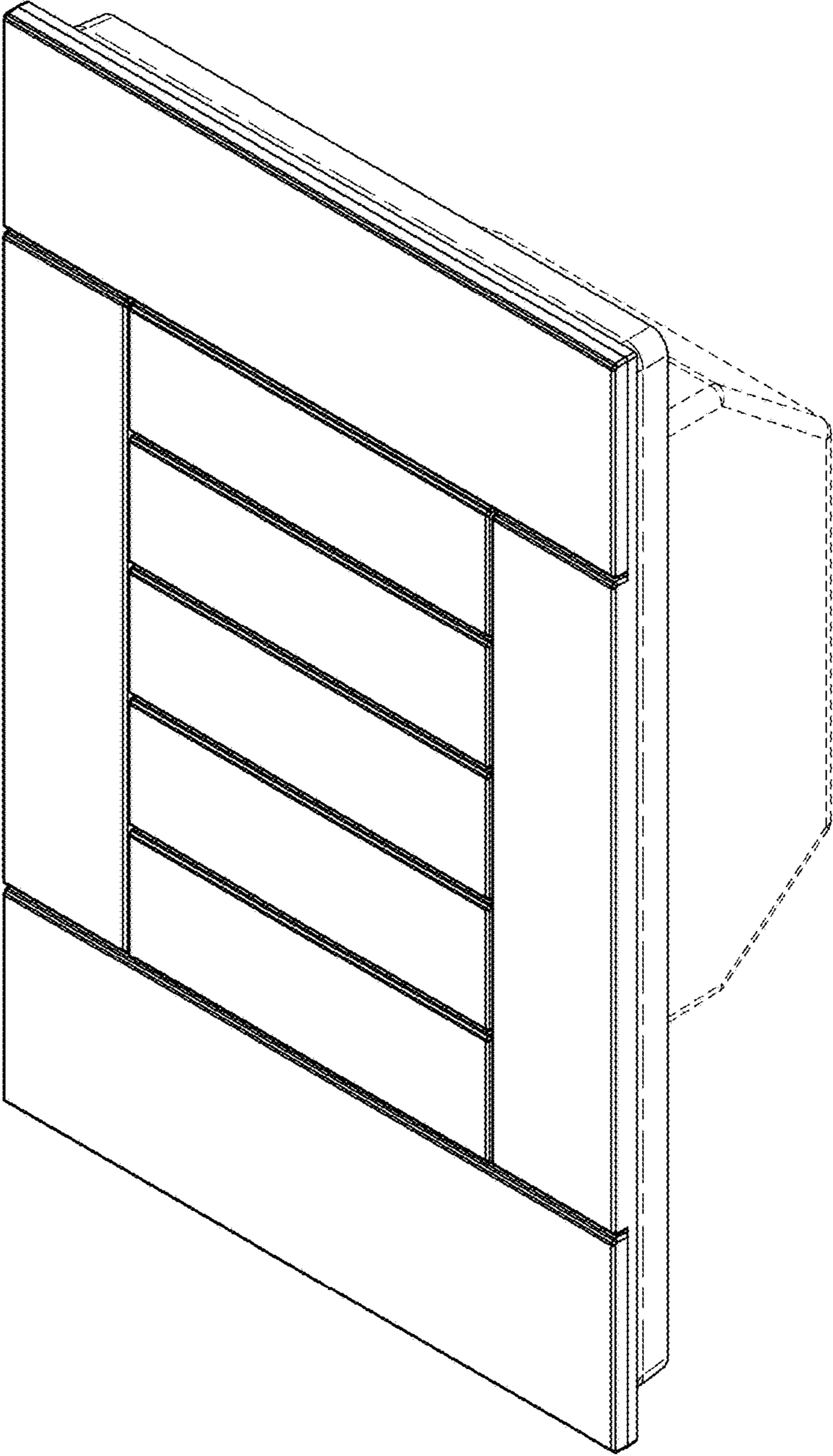


FIG. 1

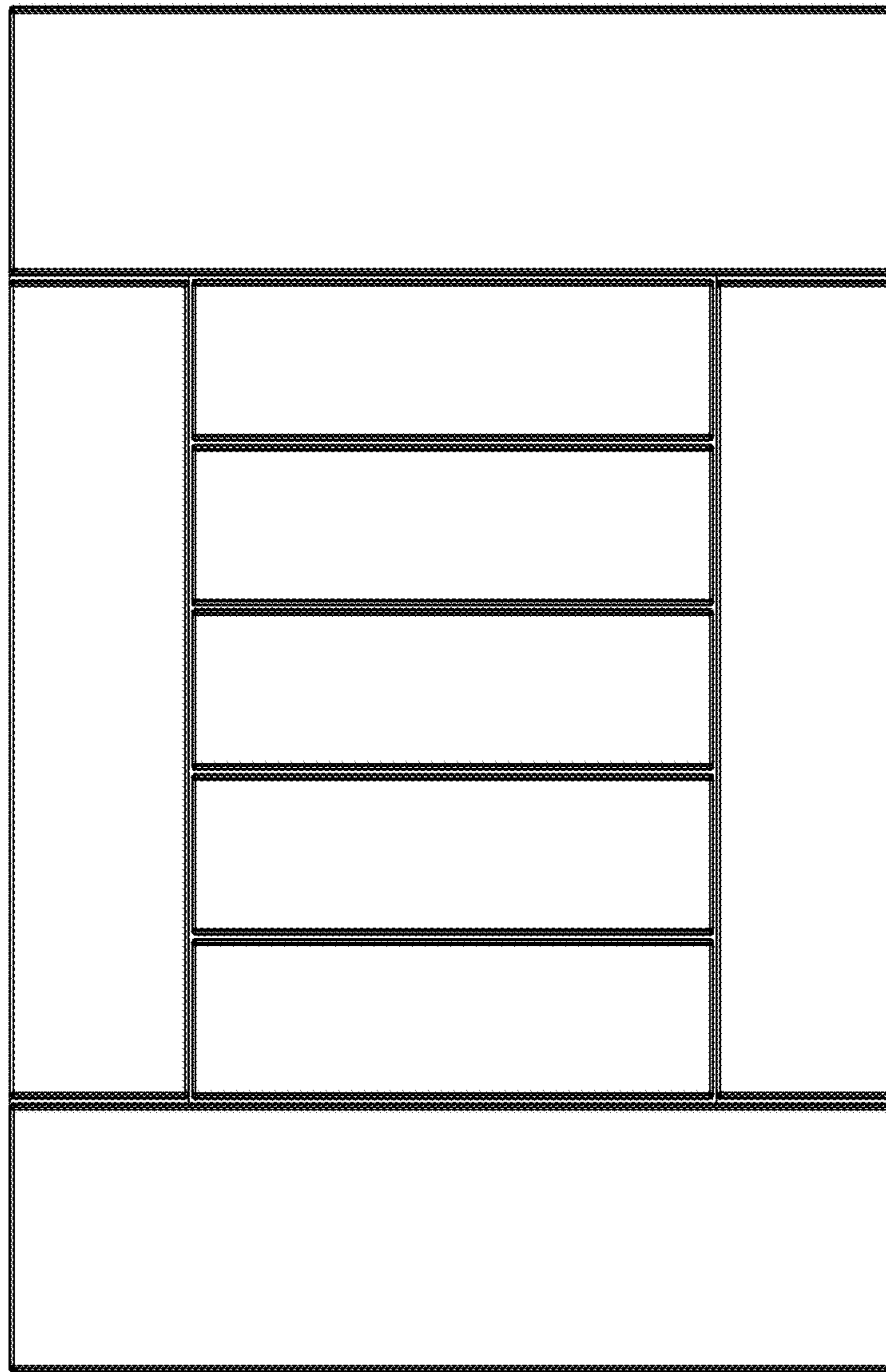


FIG. 2

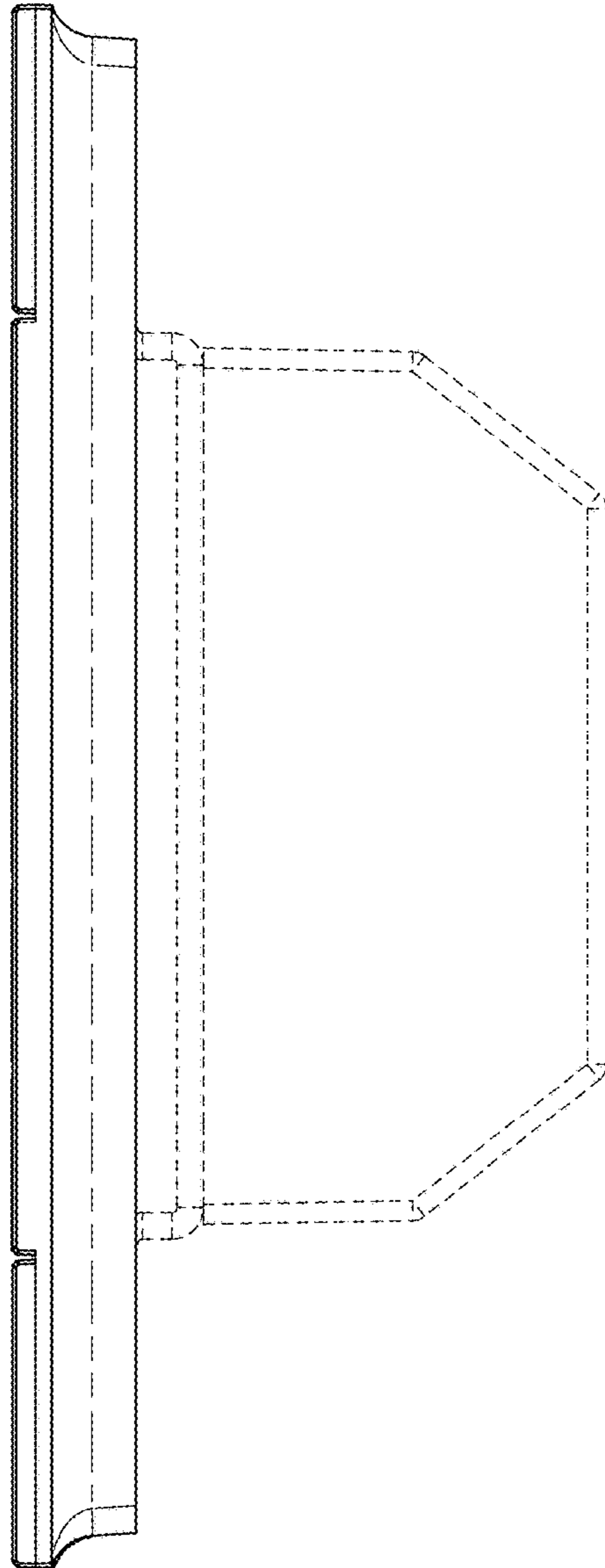


FIG. 3

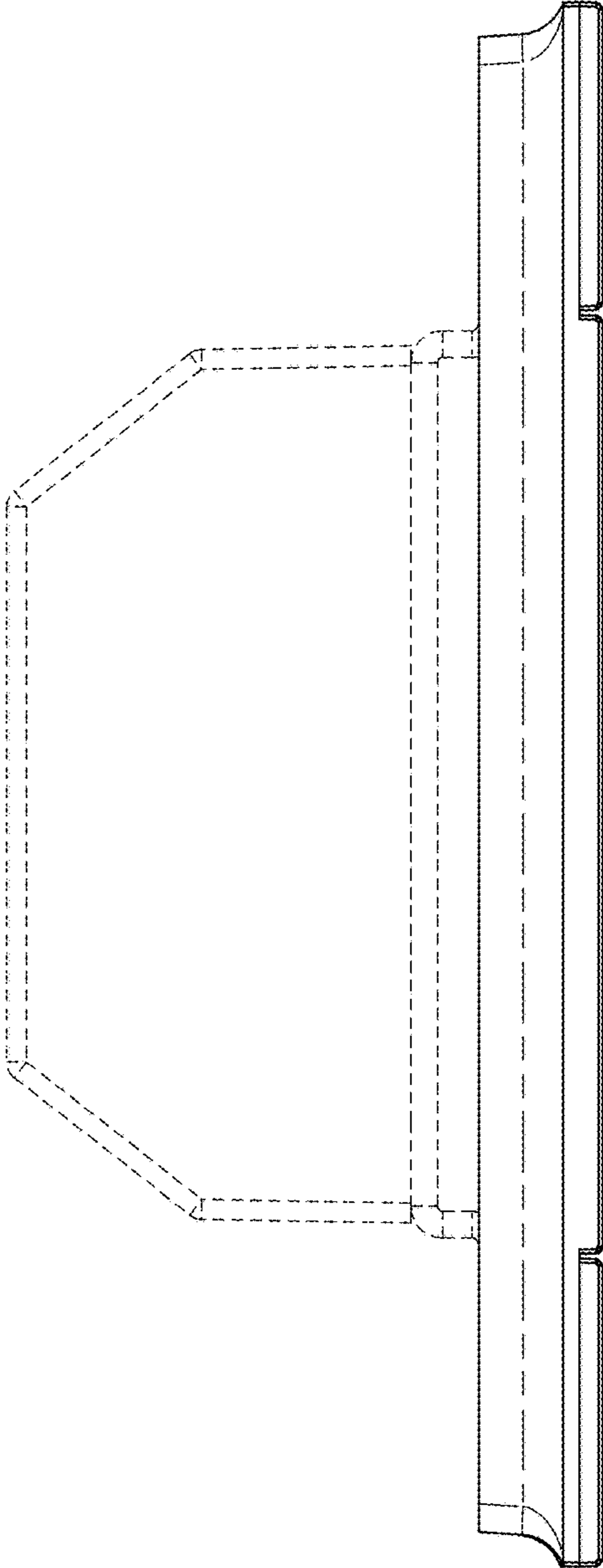


FIG. 4

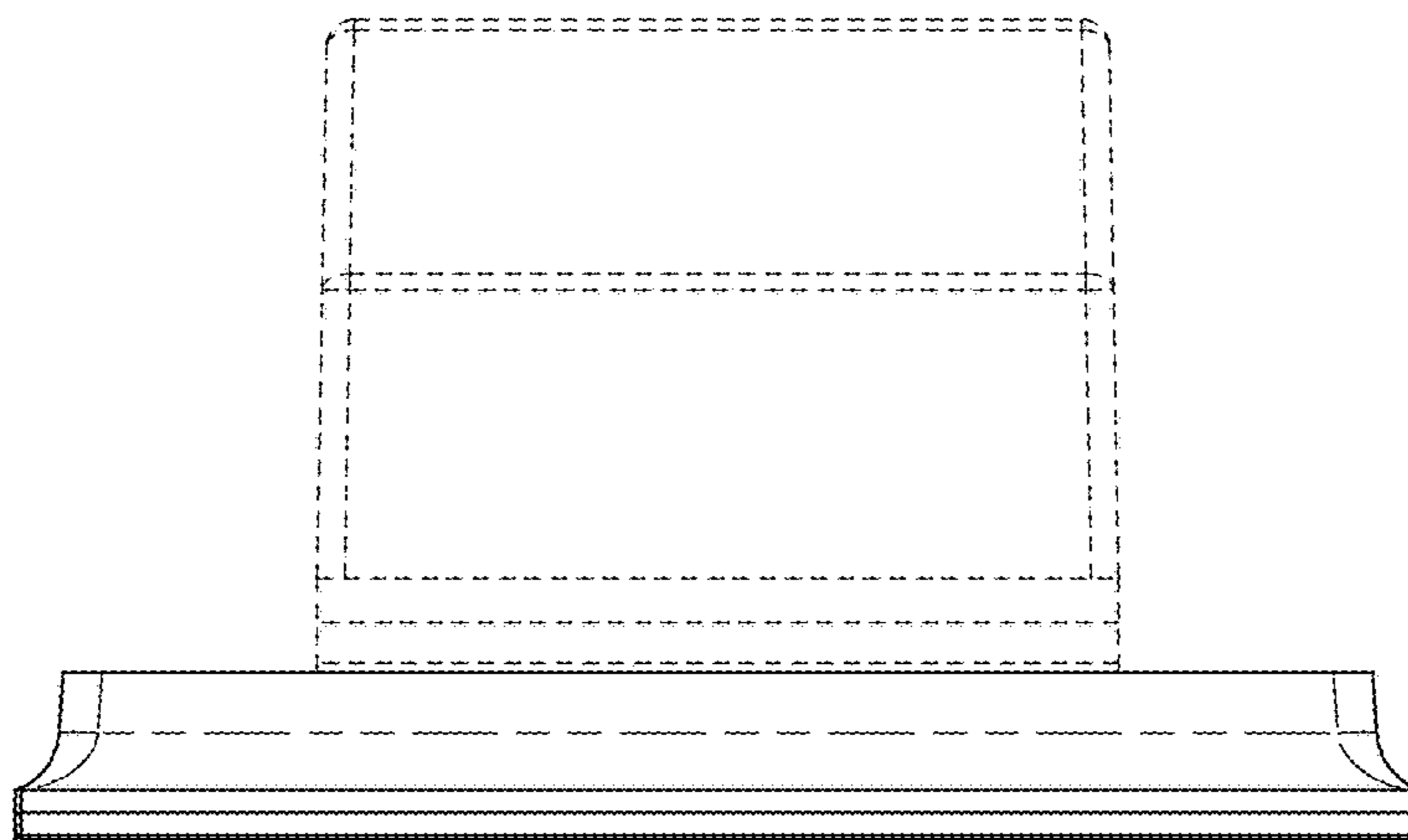


FIG. 5

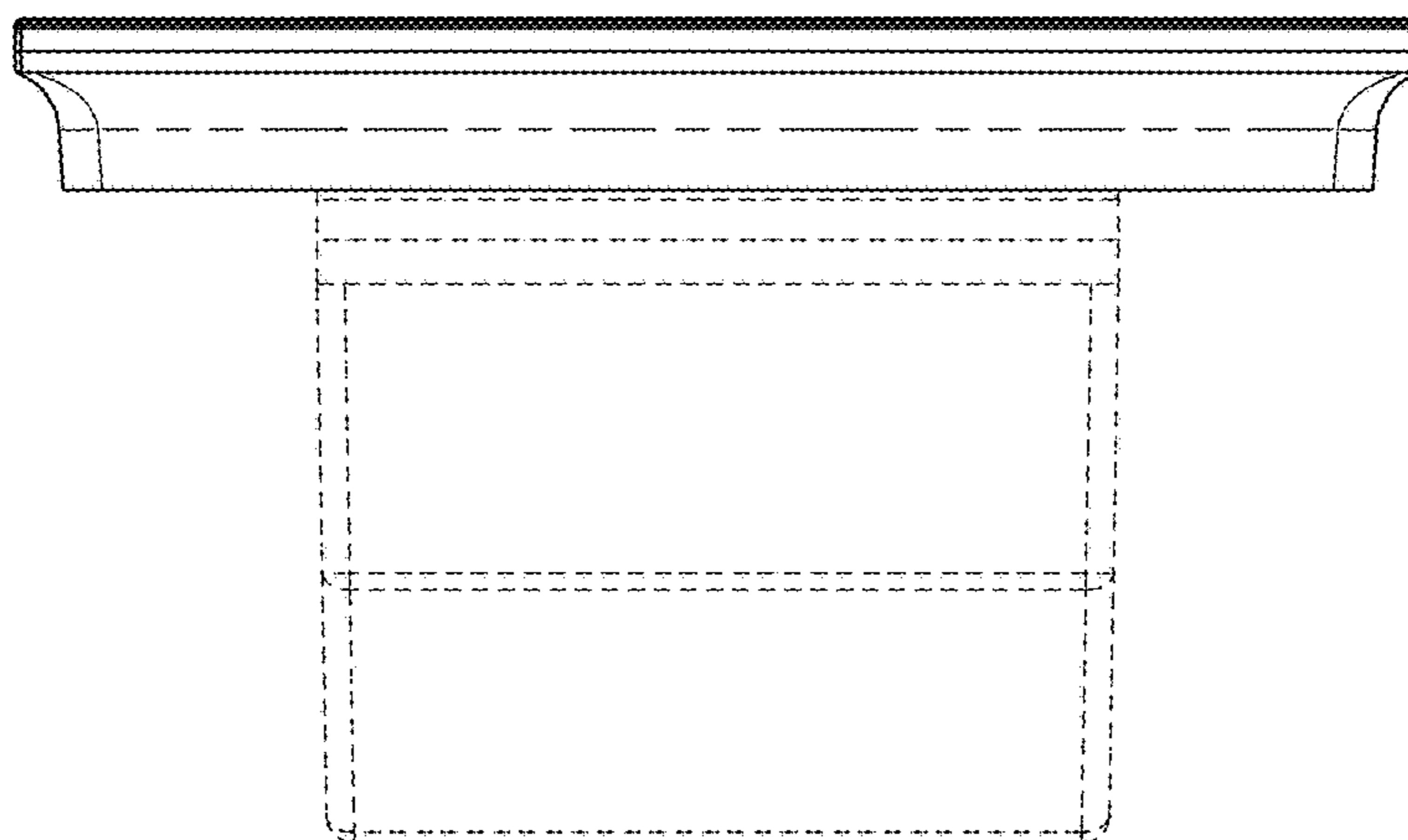


FIG. 6