



US00D834538S

(12) **United States Design Patent** (10) **Patent No.:** **US D834,538 S**
Poulheim et al. (45) **Date of Patent:** **** *Nov. 27, 2018**

(54) **WALL MOUNTED BUTTON PANEL**

(71) Applicant: **Crestron Electronics, Inc.**, Rockleigh, NJ (US)

(72) Inventors: **André Poulheim**, Frechen (DE); **Stefan Kenta Hohn**, Cologne (DE); **Evan Ackmann**, Hoboken, NJ (US)

(73) Assignee: **Crestron Electronics, Inc.**, Rockleigh, NJ (US)

(*) Notice: This patent is subject to a terminal disclaimer.

(**) Term: **15 Years**

(21) Appl. No.: **29/622,569**

(22) Filed: **Oct. 18, 2017**

Related U.S. Application Data

(60) Continuation-in-part of application No. 29/613,231, filed on Aug. 8, 2017, which is a division of (Continued)

(51) **LOC (11) Cl.** **13-03**

(52) **U.S. Cl.**
USPC **D13/162**

(58) **Field of Classification Search**
USPC D13/162, 164, 171, 177
(Continued)

(56) **References Cited**

U.S. PATENT DOCUMENTS

D351,099 S * 10/1994 Flasz D8/353
5,999,083 A * 12/1999 Kordecki H01C 10/103
338/113

(Continued)

Primary Examiner — Selina Sikder

(74) *Attorney, Agent, or Firm* — Crestron Electronics, Inc

(57) **CLAIM**

The ornamental design for a wall mounted button panel, as shown and described.

DESCRIPTION

FIG. 1 shows a front perspective view of a wall mounted button panel according to a first embodiment.

FIG. 2 shows a front elevation view of the wall mounted button panel according to the first embodiment.

FIG. 3 shows a right side view of the wall mounted button panel according to the first embodiment.

FIG. 4 shows a left side view of the wall mounted button panel according to the first embodiment.

FIG. 5 shows a top view of the wall mounted button panel according to the first embodiment.

FIG. 6 shows a bottom view of the wall mounted button panel according to the first embodiment.

FIG. 7 shows a front perspective view of a wall mounted button panel according to a second embodiment.

FIG. 8 shows a front elevation view of the wall mounted button panel according to the second embodiment.

FIG. 9 shows a right side view of the wall mounted button panel according to the second embodiment.

FIG. 10 shows a left side view of the wall mounted button panel according to the second embodiment.

FIG. 11 shows a top view of the wall mounted button panel according to the second embodiment.

FIG. 12 shows a bottom view of the wall mounted button panel according to the second embodiment.

FIG. 13 shows a front perspective view of a wall mounted button panel according to a third embodiment.

FIG. 14 shows a front elevation view of the wall mounted button panel according to the third embodiment.

FIG. 15 shows a right side view of the wall mounted button panel according to the third embodiment.

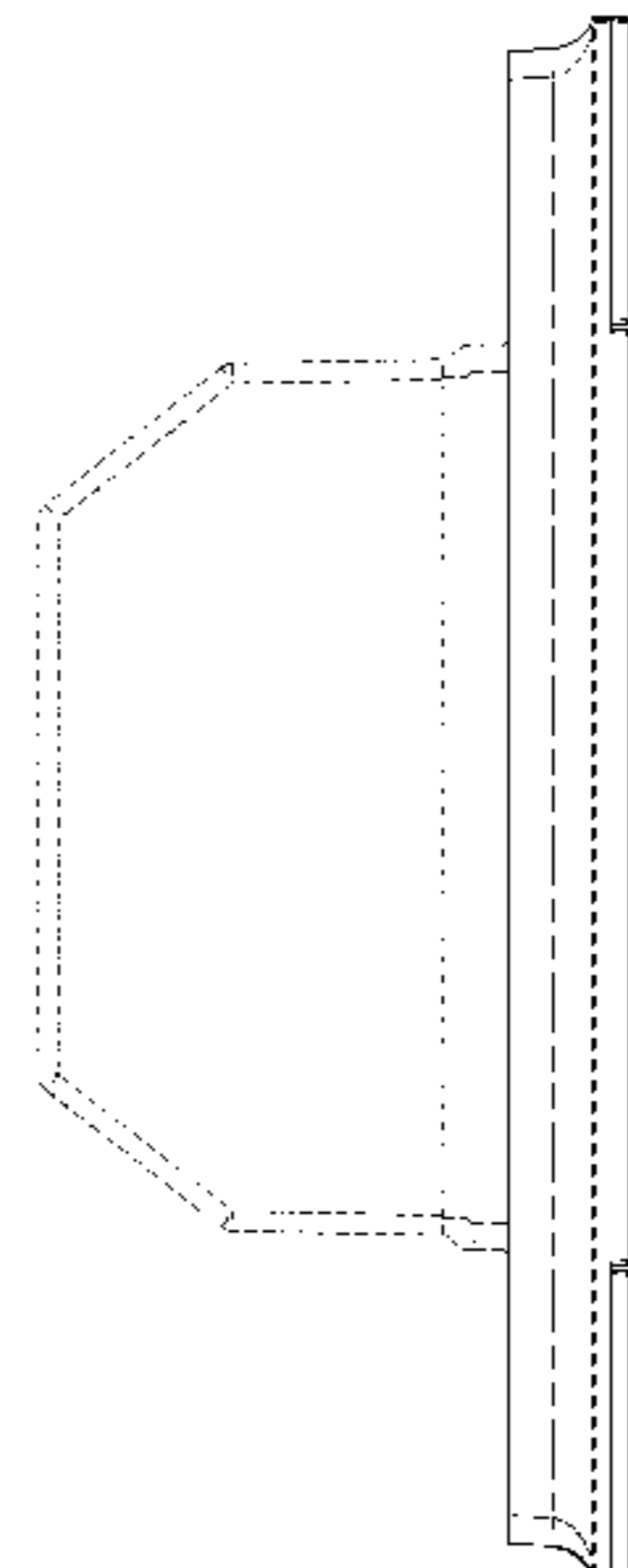
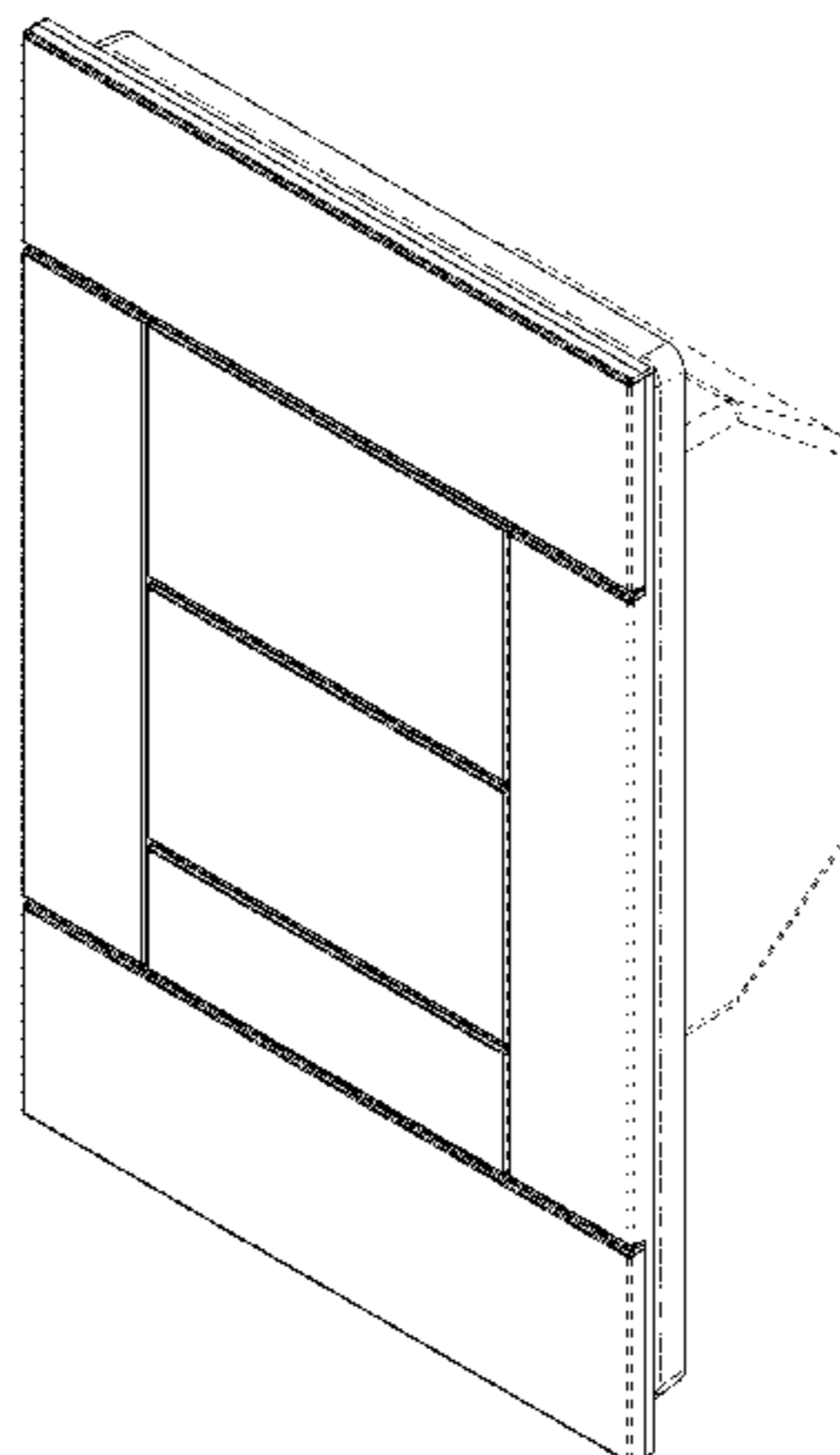
FIG. 16 shows a left side view of the wall mounted button panel according to the third embodiment.

FIG. 17 shows a top view of the wall mounted button panel according to the third embodiment; and,

FIG. 18 shows a bottom view of the wall mounted button panel according to the third embodiment.

The broken lines in the figures depict portions of the wall mounted button panel that form no part of the claimed design.

1 Claim, 15 Drawing Sheets



Related U.S. Application Data

application No. 29/578,543, filed on Sep. 22, 2016,
now Pat. No. Des. 800,672.

(58) **Field of Classification Search**

CPC .. H01H 3/12; H01H 9/02; H01H 9/16; H01H
9/18; H01H 9/181; H01H 9/182; H01H
13/04; H01H 13/14; H01H 2009/187;
H05B 33/0803; H05B 33/0863; H05B
37/02; H05B 37/0254; H05B 37/0272;
H05B 39/02; H05B 39/04; H05B 39/085;
H05B 39/086; H05B 39/088

See application file for complete search history.

(56) **References Cited**

U.S. PATENT DOCUMENTS

D633,448 S * 3/2011 Biery D13/171
D669,866 S * 10/2012 Gilbert D10/49

D687,390 S * 8/2013 McDonald D13/168
D717,742 S * 11/2014 Larkin D13/162
D726,663 S * 4/2015 Clymer D13/162
D733,073 S * 6/2015 Larkin D13/164
D733,076 S * 6/2015 Jacoby D13/164
D734,277 S * 7/2015 Jacoby D13/164
D736,718 S * 8/2015 Spira D13/164
D767,513 S * 9/2016 Jacoby D13/164
D768,582 S * 10/2016 Jacoby D13/164
D769,829 S * 10/2016 Jacoby D13/164
D772,177 S * 11/2016 Hickok D13/177
D792,358 S * 7/2017 Poulheim D13/164
D797,684 S * 9/2017 Poulheim D13/164
D800,669 S * 10/2017 Poulheim D13/162
D800,671 S * 10/2017 Poulheim D13/164
D800,672 S * 10/2017 Poulheim D13/164
D813,177 S * 3/2018 Poulheim D13/164
2016/0069537 A1 * 3/2016 Dimberg G09G 3/20
362/23.04

* cited by examiner

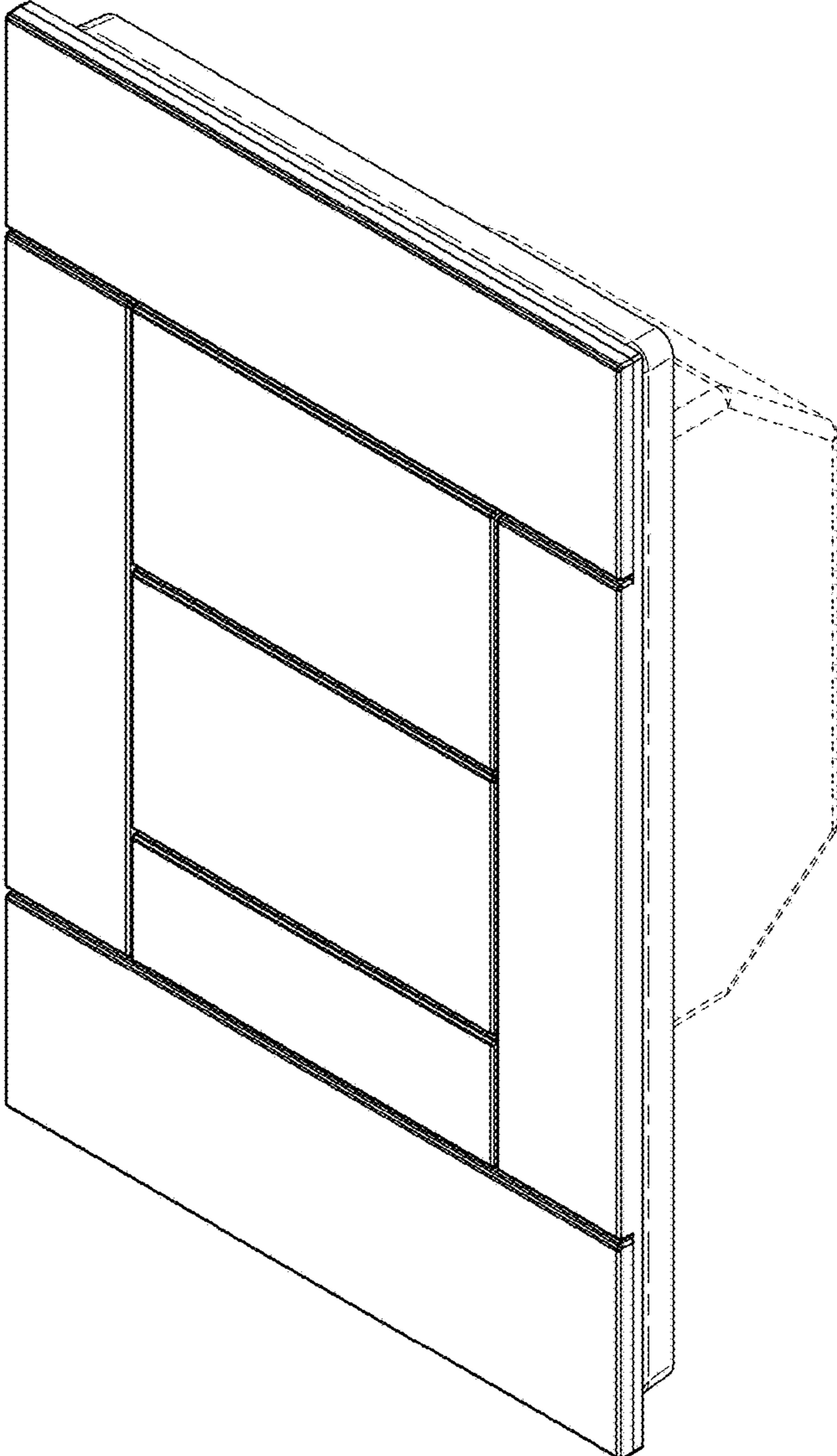


FIG. 1

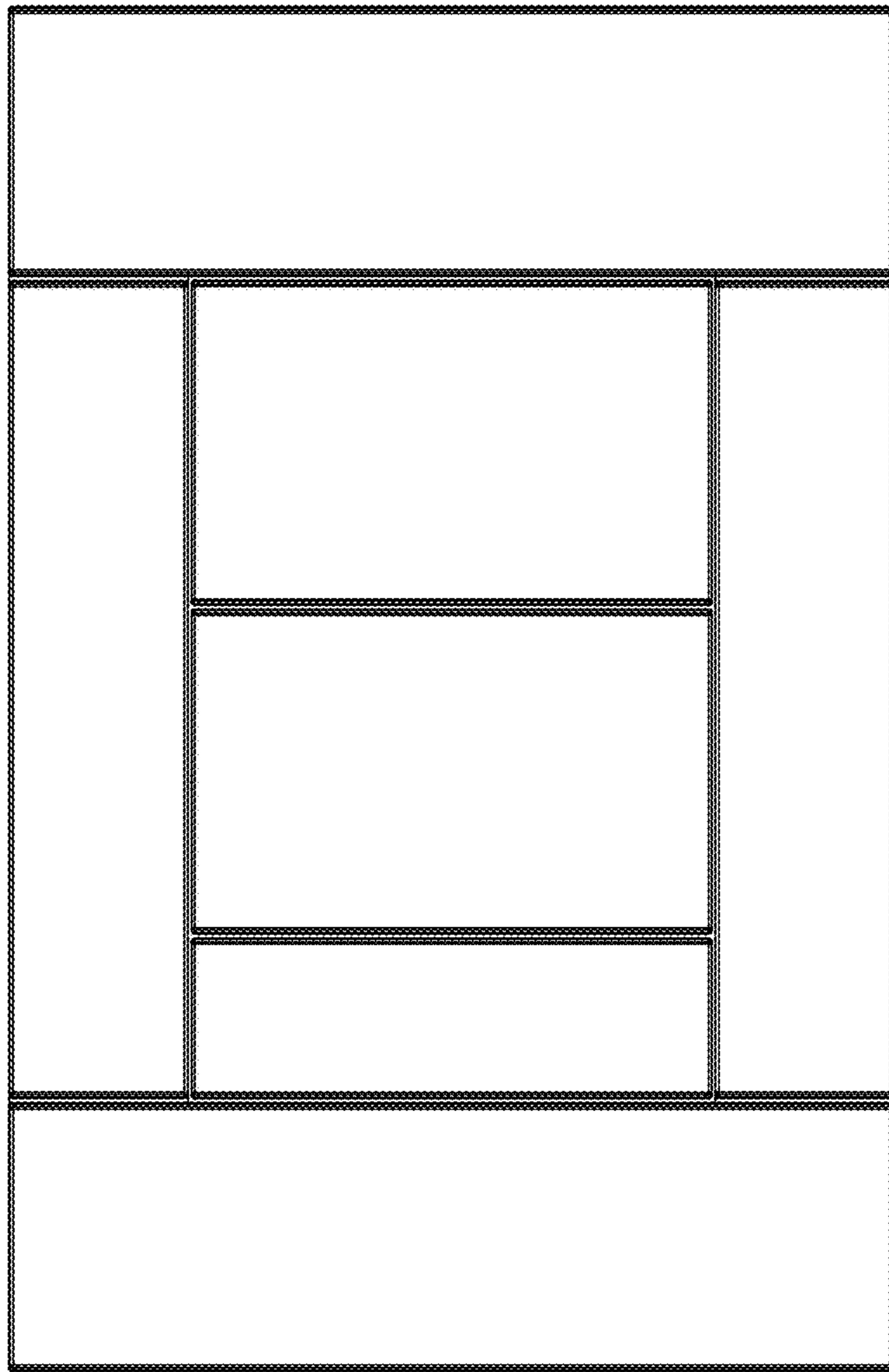


FIG. 2

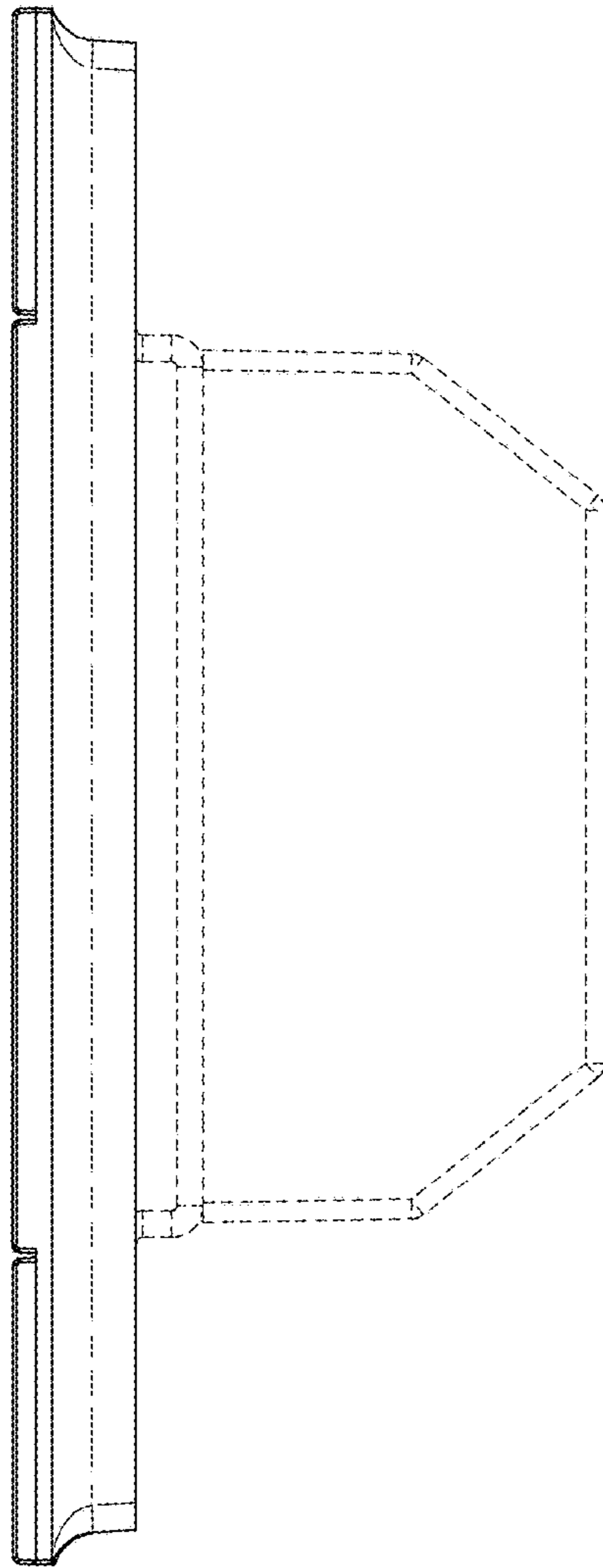


FIG. 3

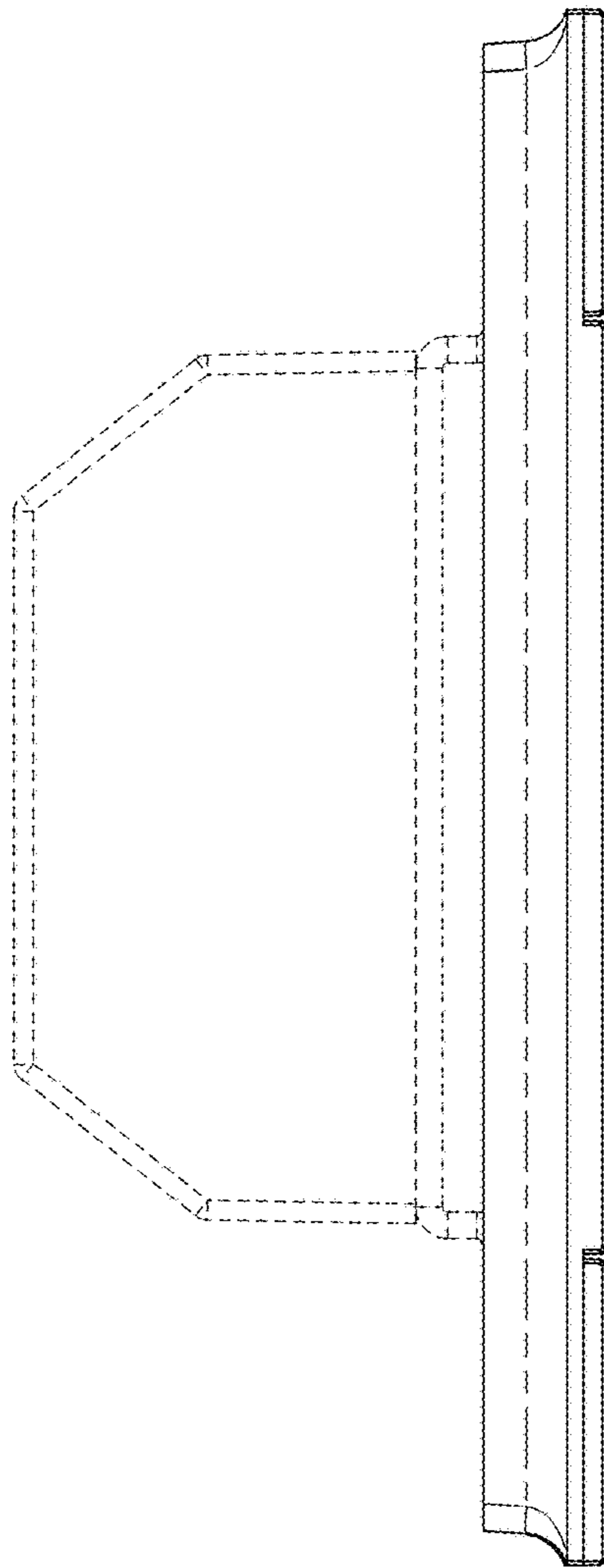


FIG. 4

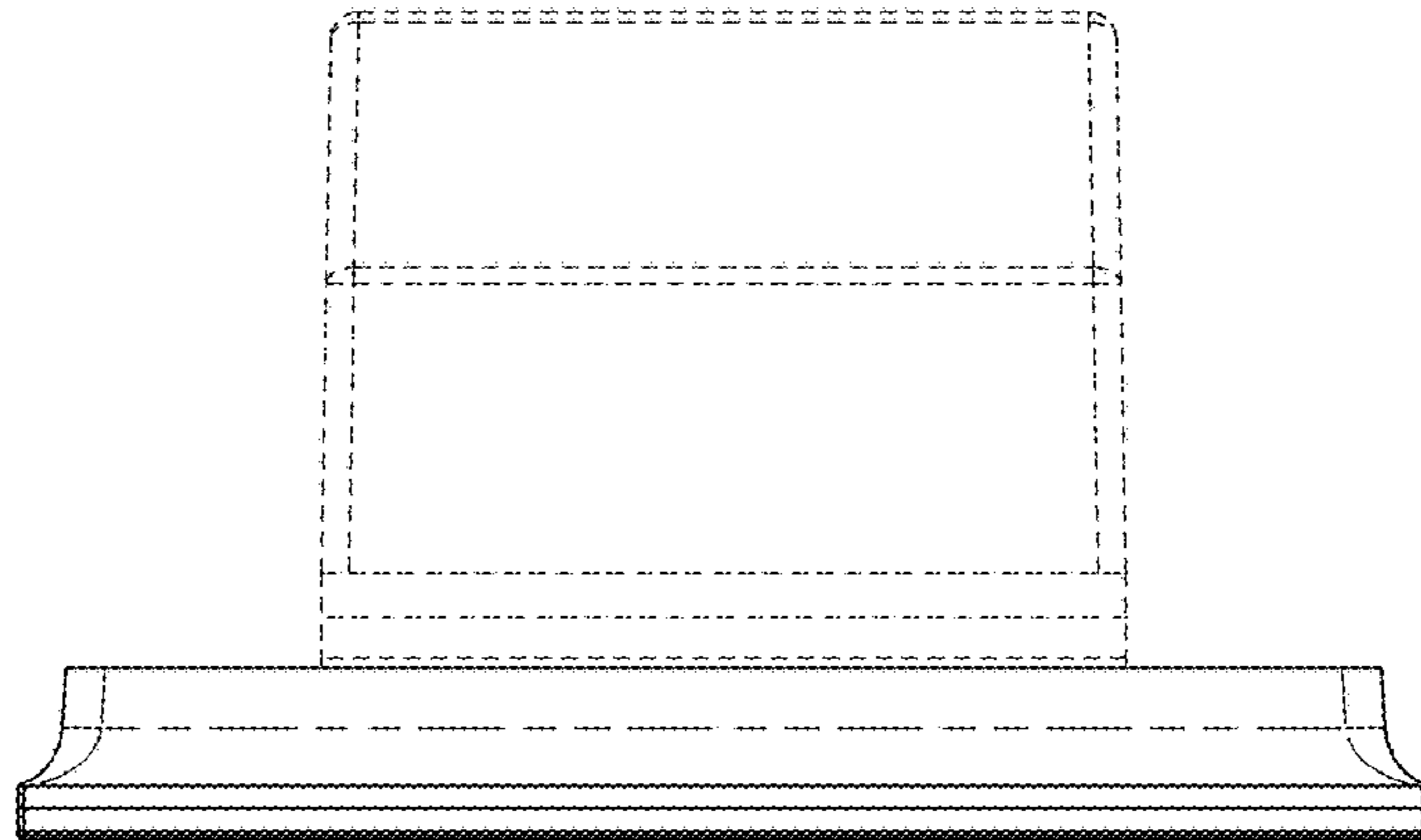


FIG. 5

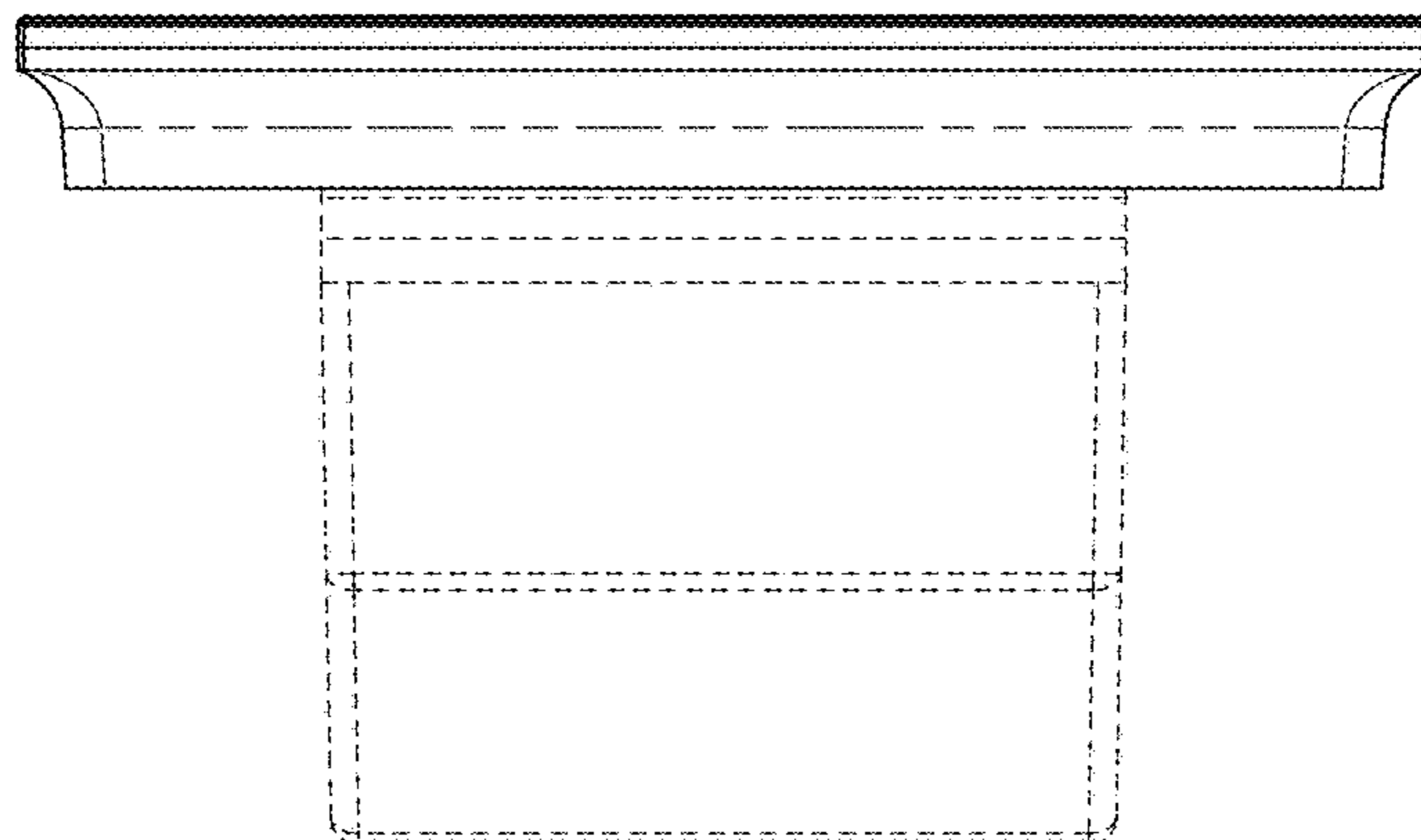


FIG. 6

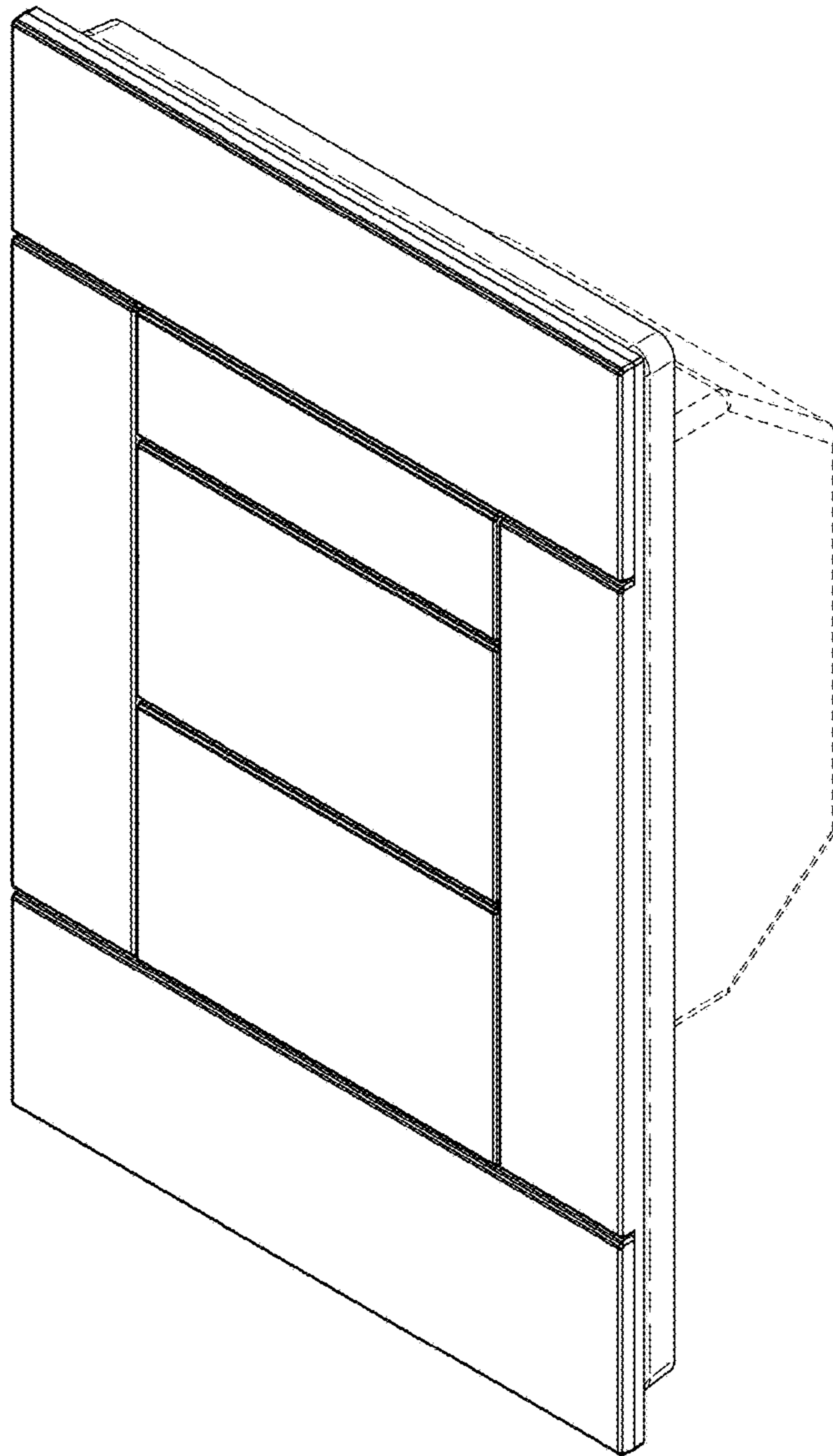


FIG. 7

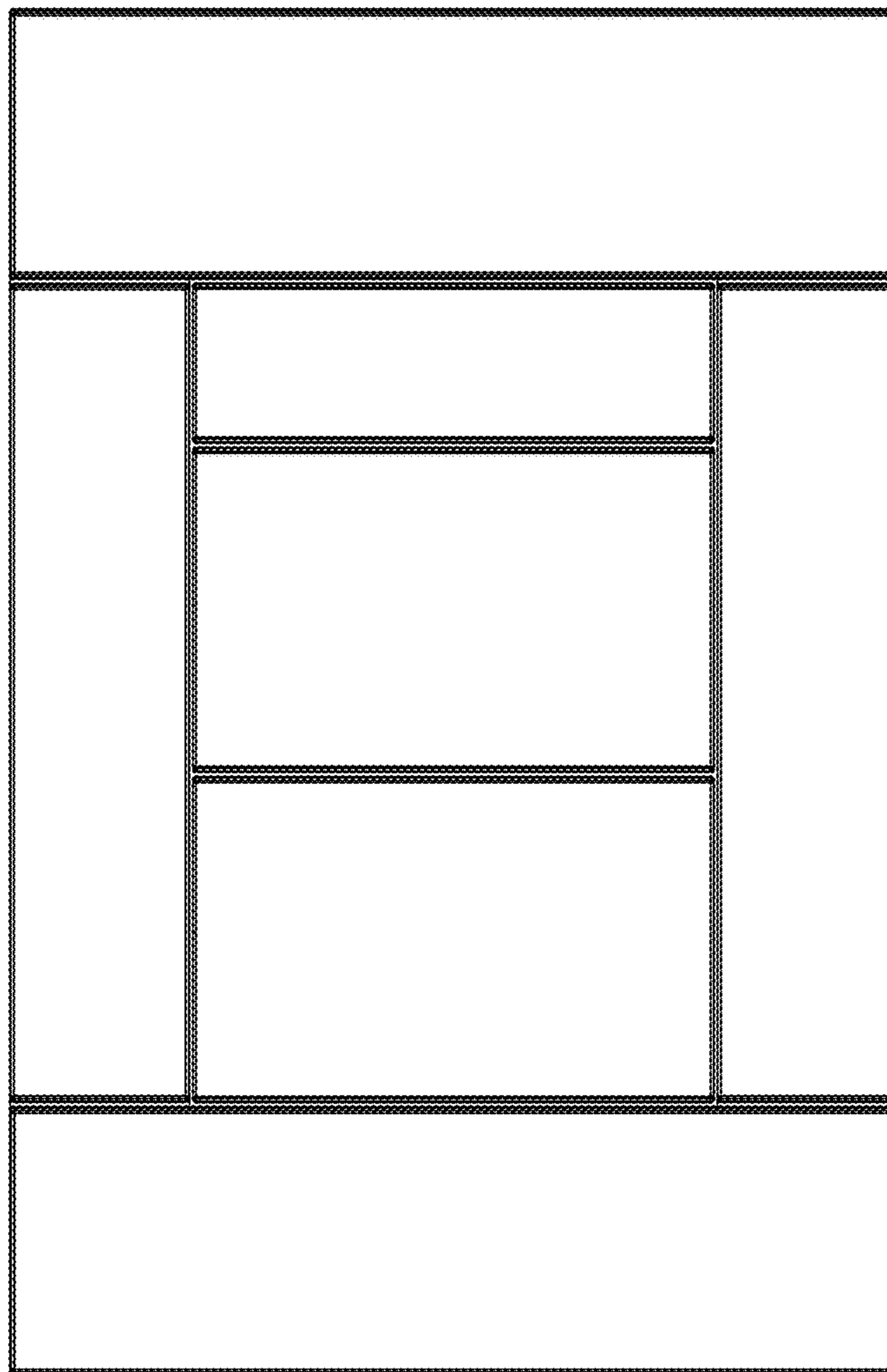


FIG. 8

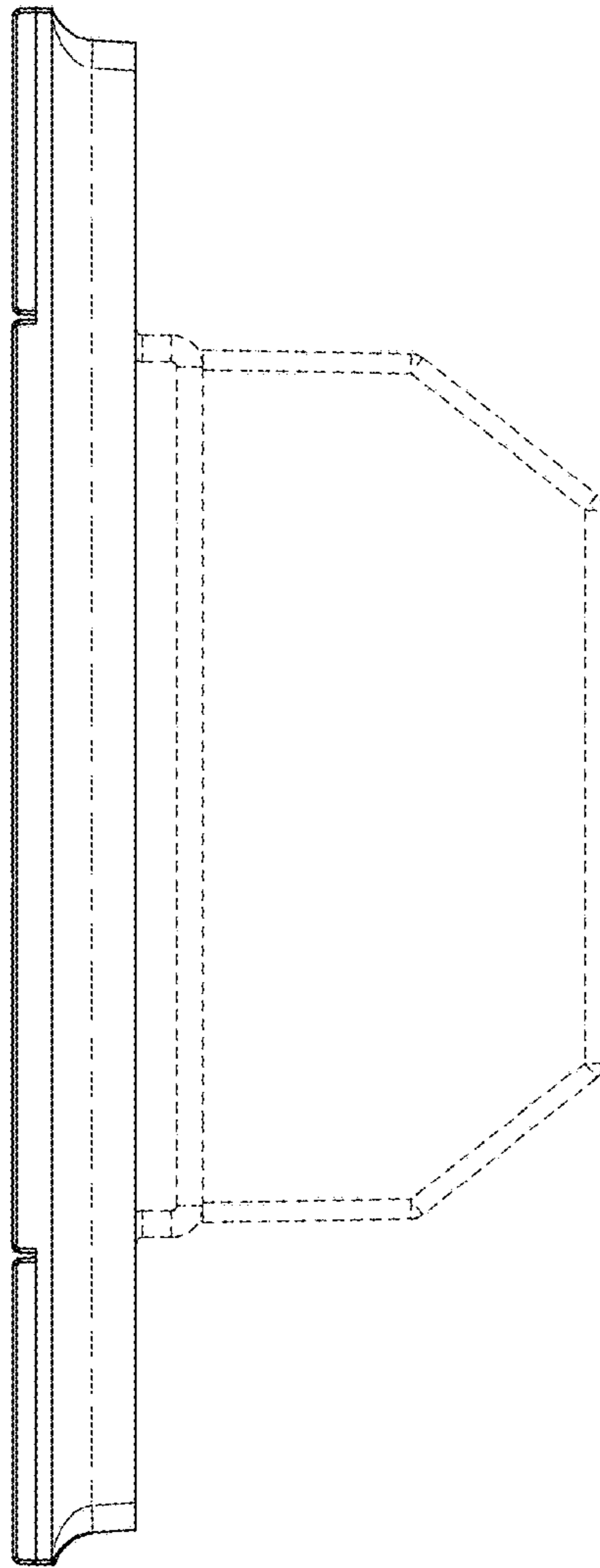


FIG. 9

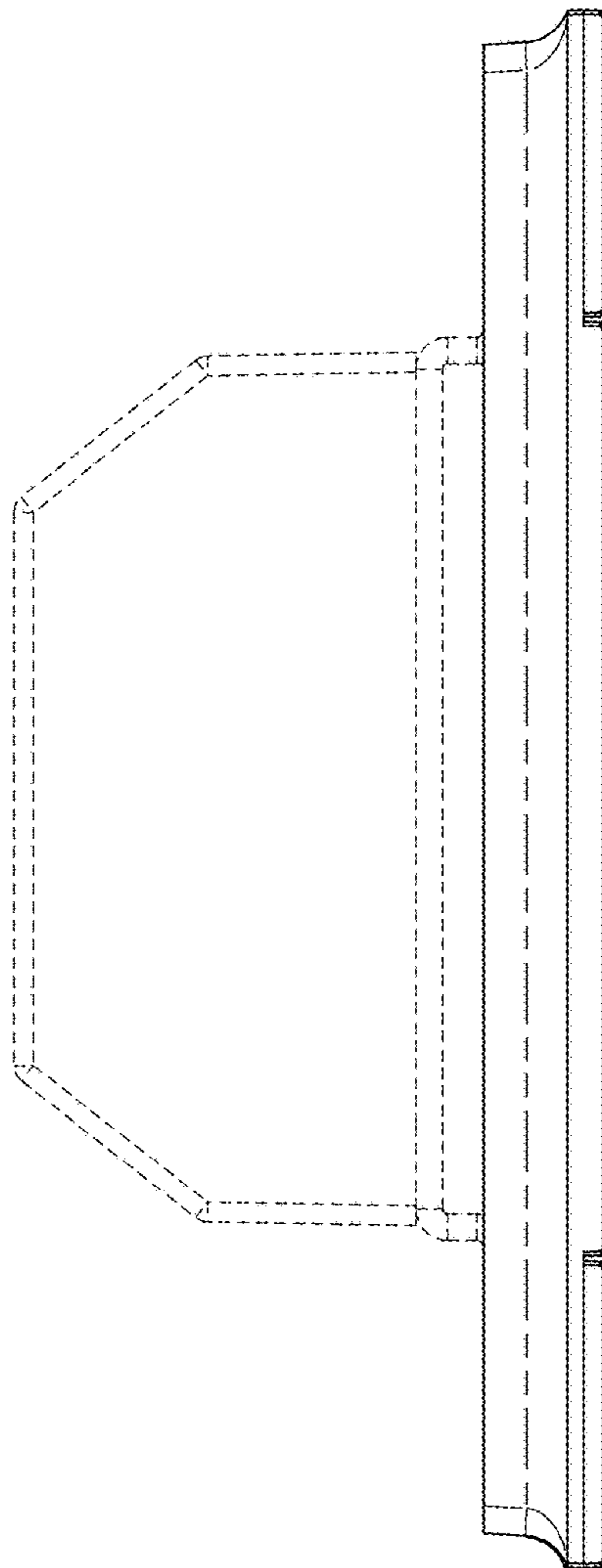


FIG. 10

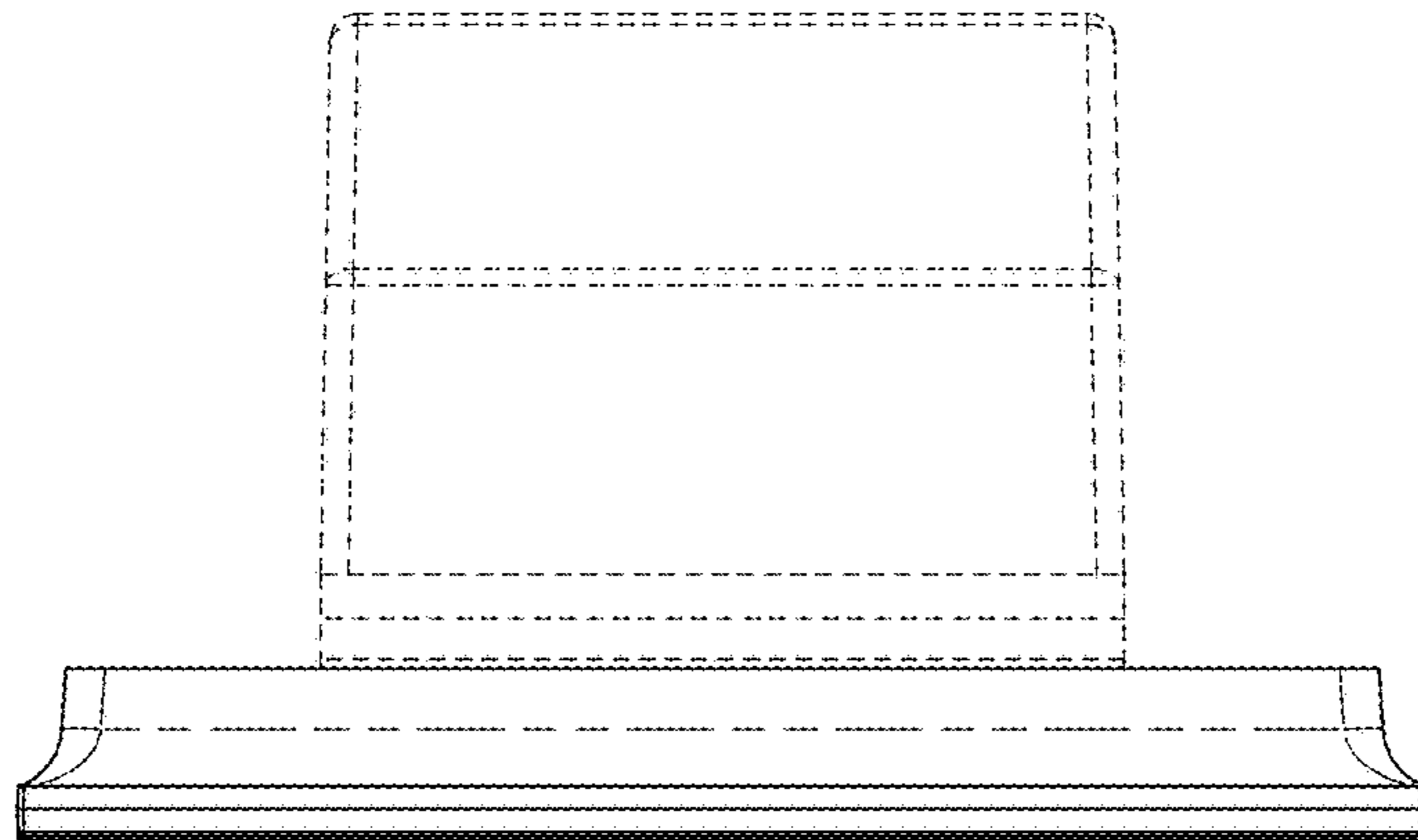


FIG. 11

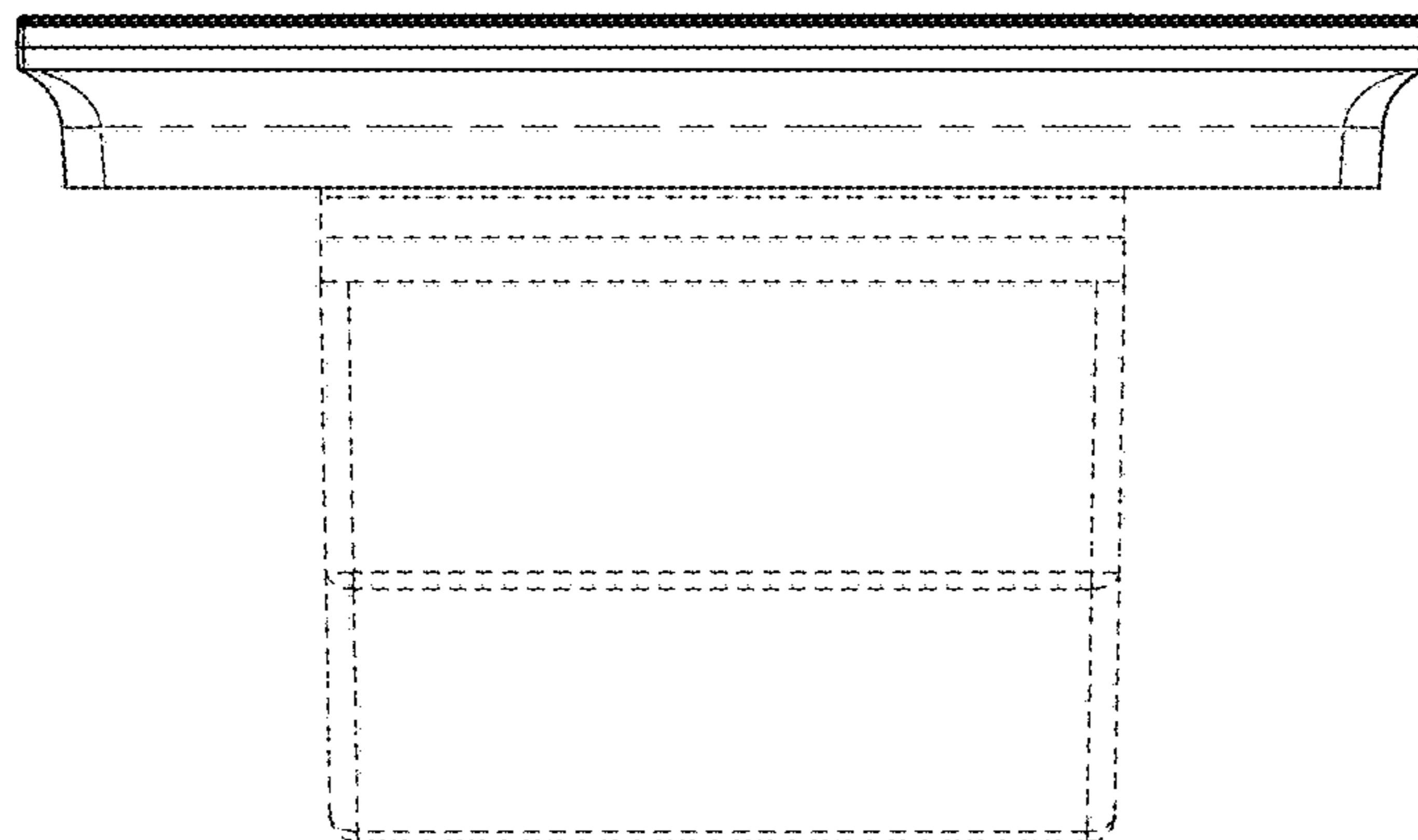


FIG. 12

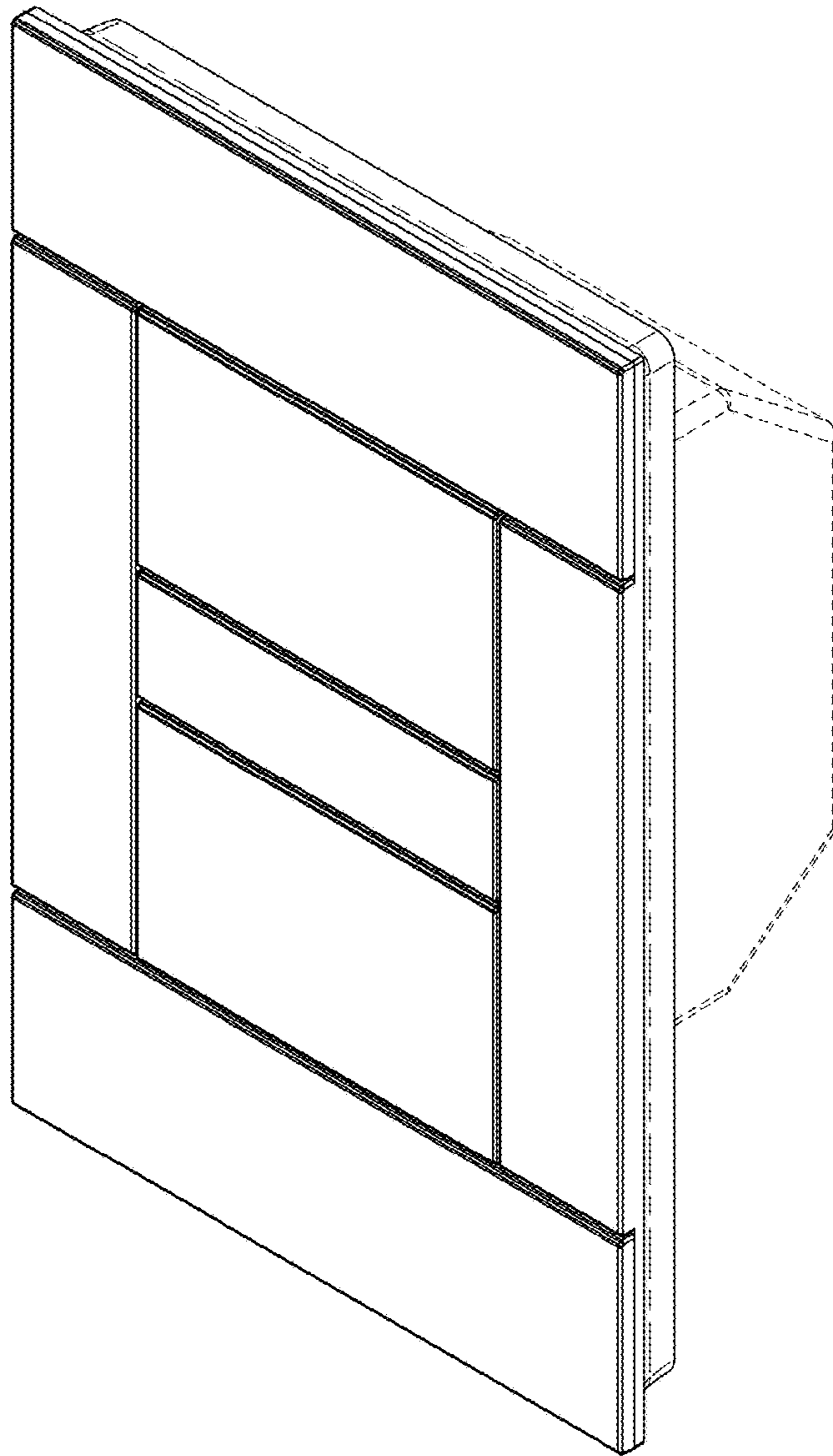


FIG. 13

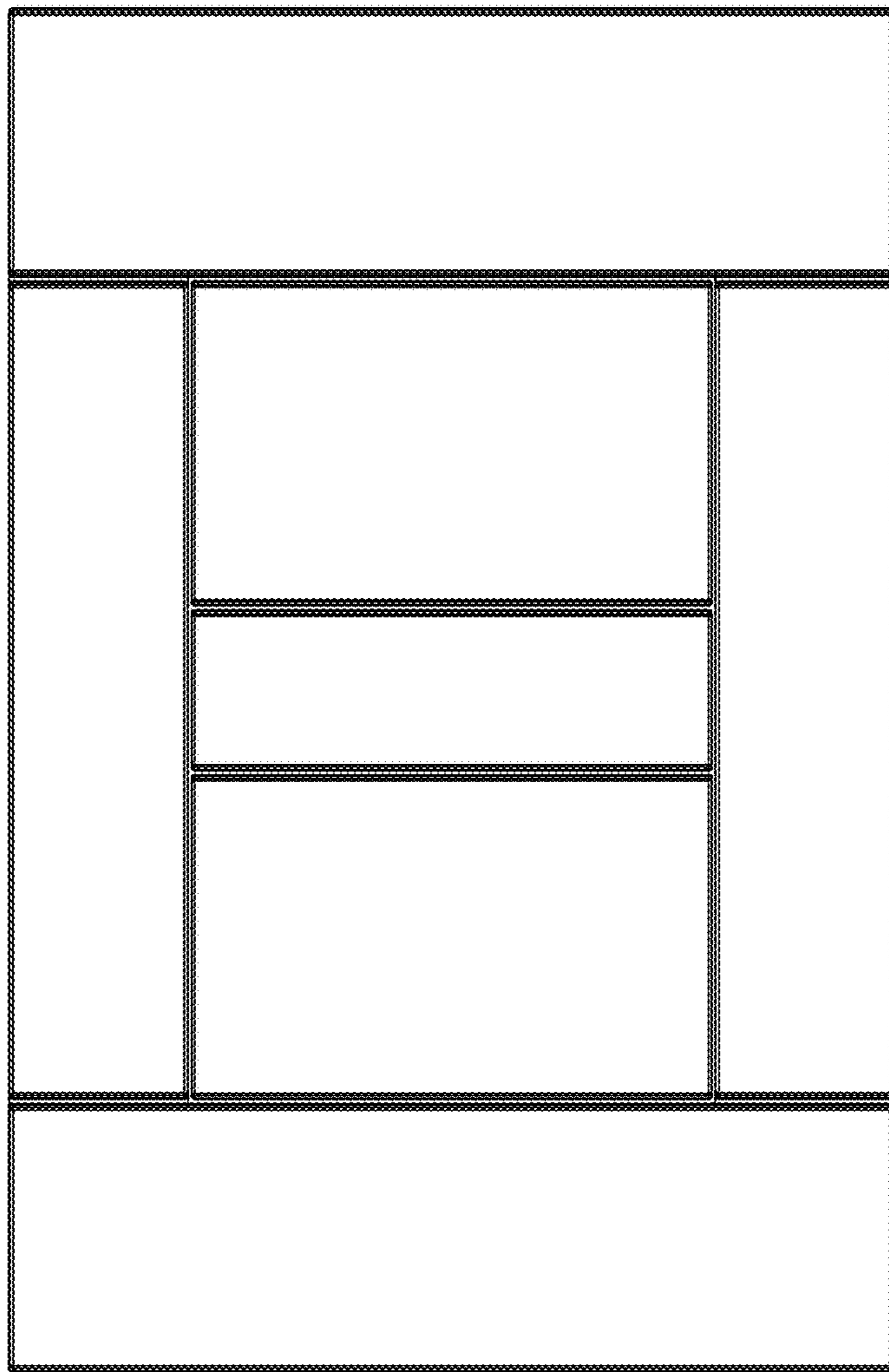


FIG. 14

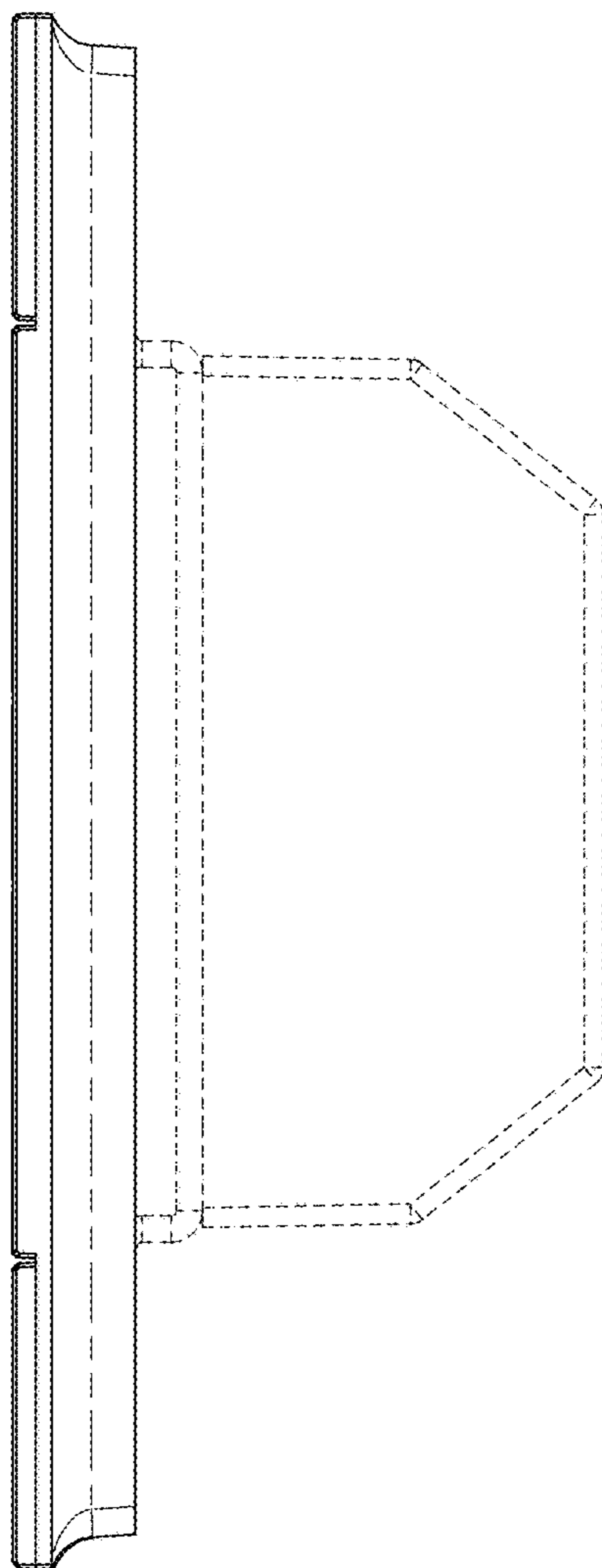


FIG. 15

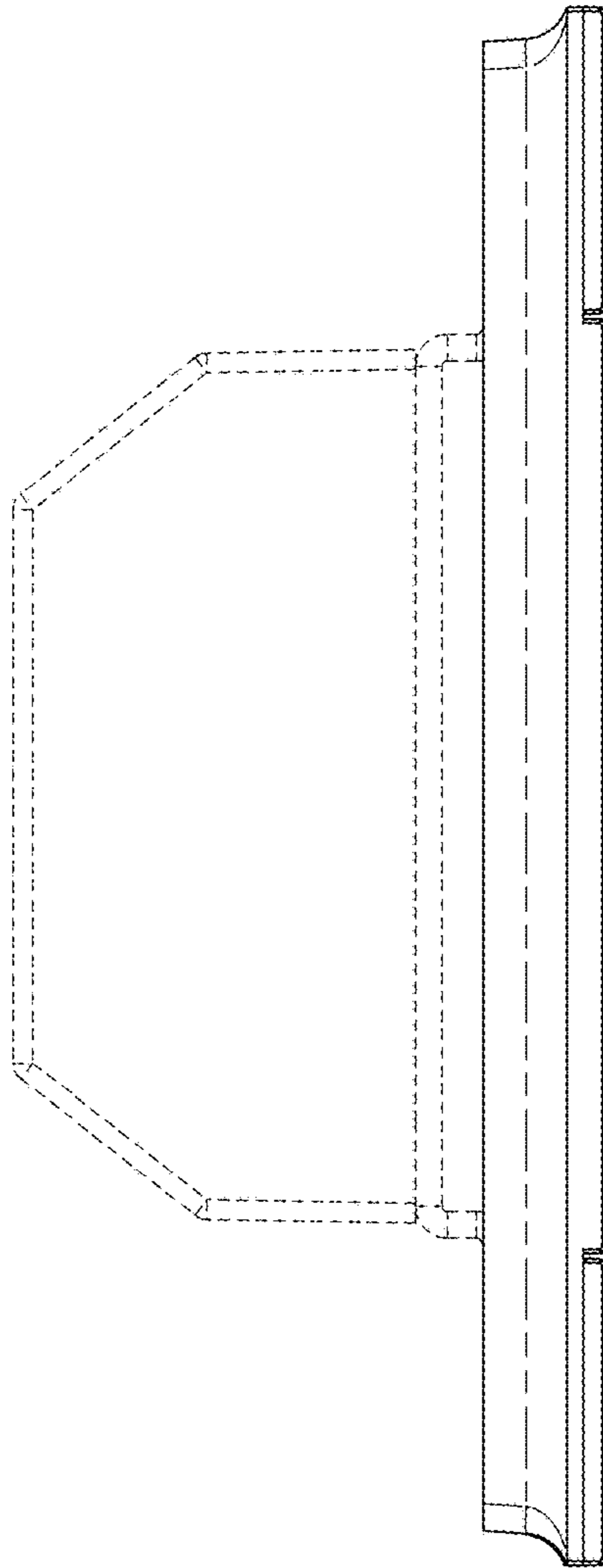


FIG. 16

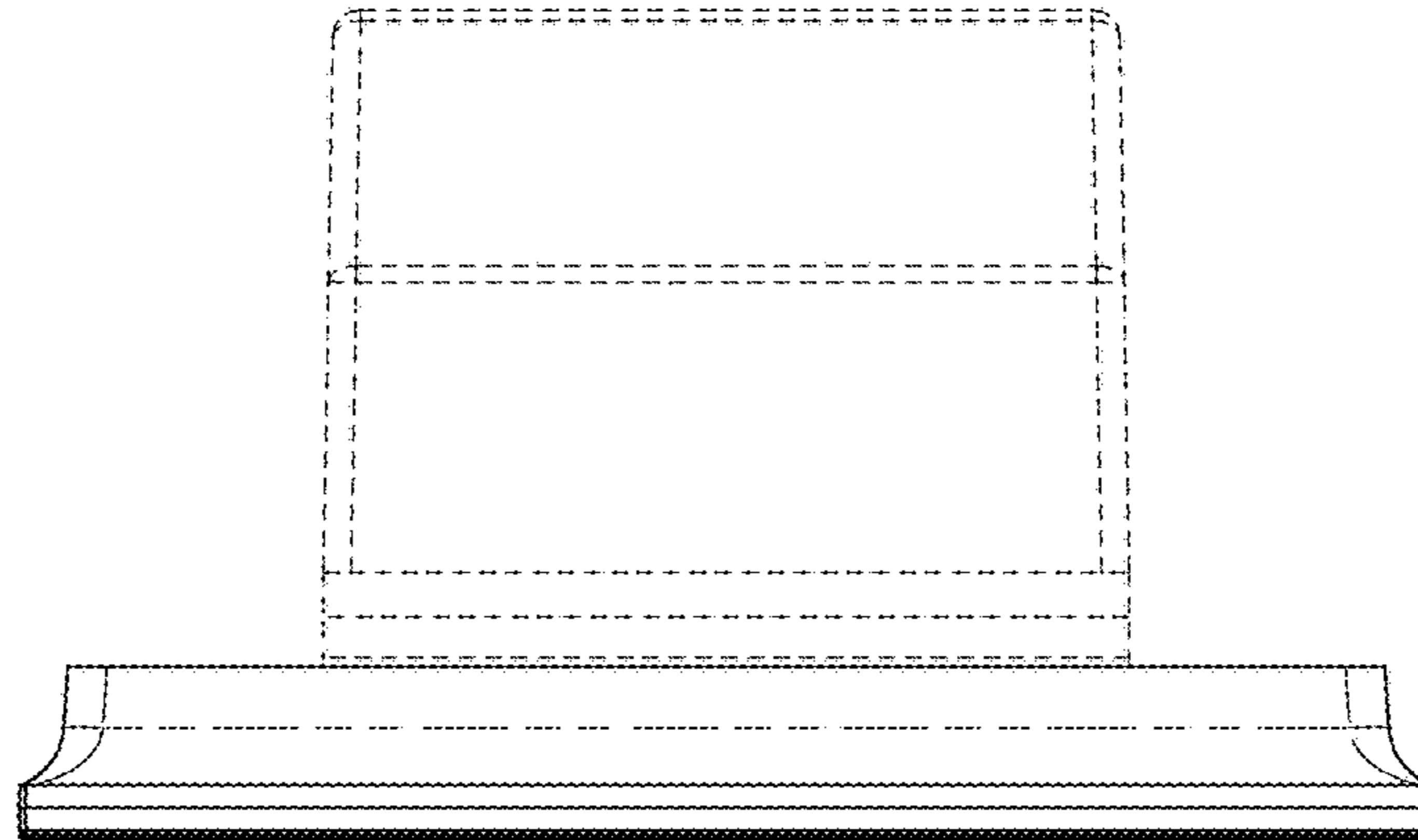


FIG. 17

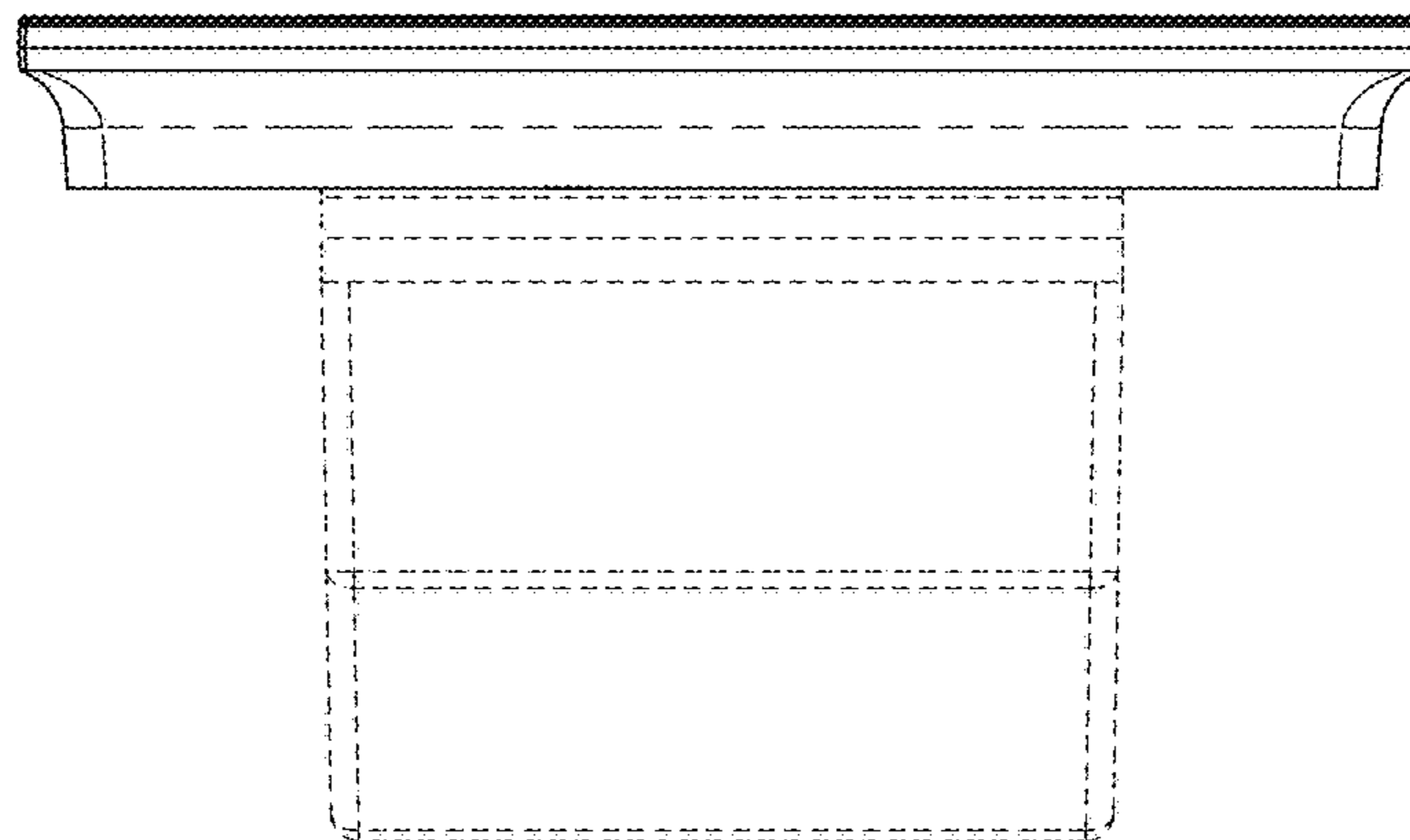


FIG. 18