



US00D834534S

(12) **United States Design Patent**
Dominguez

(10) **Patent No.:** **US D834,534 S**

(45) **Date of Patent:** **** Nov. 27, 2018**

(54) **UNIVERSAL CIRCUIT BREAKER INTERLOCK**

(71) Applicant: **Armando Dominguez**, Miami, FL (US)

(72) Inventor: **Armando Dominguez**, Miami, FL (US)

(**) Term: **15 Years**

(21) Appl. No.: **29/651,097**

(22) Filed: **Dec. 11, 2017**

(51) **LOC (11) Cl.** **13-03**

(52) **U.S. Cl.**
USPC **D13/160; D13/178**

(58) **Field of Classification Search**
USPC D13/101, 110, 118, 123, 133, 154,
D13/158-161, 169, 173, 175, 178, 184,
D13/199

CPC H01H 9/00; H01H 9/28; H01H 9/286;
H01H 9/54; H01H 19/00; H01H 19/04;
H01H 19/14; H01H 19/20; H01H 9/26;
H02B 1/04

See application file for complete search history.

(56) **References Cited**

U.S. PATENT DOCUMENTS

| | | | | | |
|-----------|------|---------|--------------|-------|-------------------------|
| 3,412,351 | A * | 11/1968 | Harper | | H01H 71/528 335/175 |
| 3,952,142 | A * | 4/1976 | Weiss | | H05K 5/06 174/551 |
| 4,665,284 | A * | 5/1987 | Guinan | | H01H 9/26 200/50.33 |
| 5,945,648 | A * | 8/1999 | M'Sadoques | | H01H 71/66 200/43.14 |
| 5,978,209 | A * | 11/1999 | Montague | | H02B 1/056 200/294 |
| 7,446,270 | B2 * | 11/2008 | Somalingayya | | H01H 9/26 200/50.32 |
| 8,222,548 | B2 * | 7/2012 | Espeut, Jr. | | H01H 9/26 200/50.33 |

| | | | | | |
|--------------|------|---------|-----------|-------|------------------------|
| 8,269,120 | B1 * | 9/2012 | Flegel | | H01H 9/26 200/43.11 |
| 8,552,318 | B2 * | 10/2013 | Najera | | H01H 9/26 200/50.35 |
| 9,490,085 | B1 * | 11/2016 | Flegel | | H01H 9/26 |
| D798,235 | S * | 9/2017 | Dominguez | | D13/118 |
| 2006/0049026 | A1 * | 3/2006 | Weister | | H01H 9/22 200/50.17 |

(Continued)

OTHER PUBLICATIONS

Installing the QO2DTI Circuit Breaker Mechanical Interlock, dated Jul. 27, 2016, [online], [site visited Apr. 6, 2018]. Available from Internet, <URL: <https://www.youtube.com/watch?v=TSV0sFWYLM>> (Year: 2016).*

(Continued)

Primary Examiner — Angela J Lee
Assistant Examiner — Shawn T Gingrich

(57) **CLAIM**

The ornamental design for a universal circuit breaker interlock, as shown and describes.

DESCRIPTION

FIG. 1 is a perspective view of the a universal circuit breaker interlock showing my new design.

FIG. 2 is a second perspective view thereof show an alternative position.

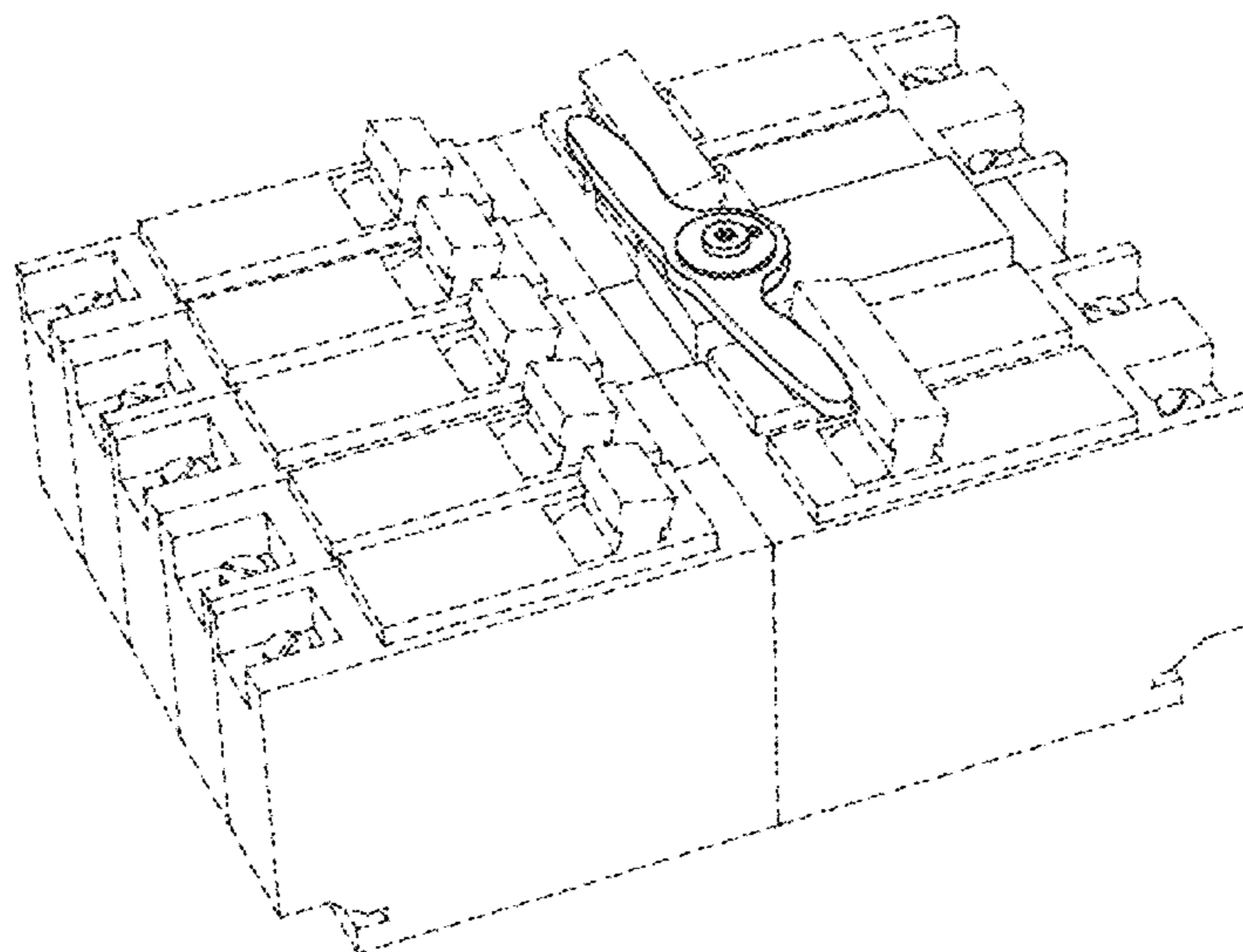
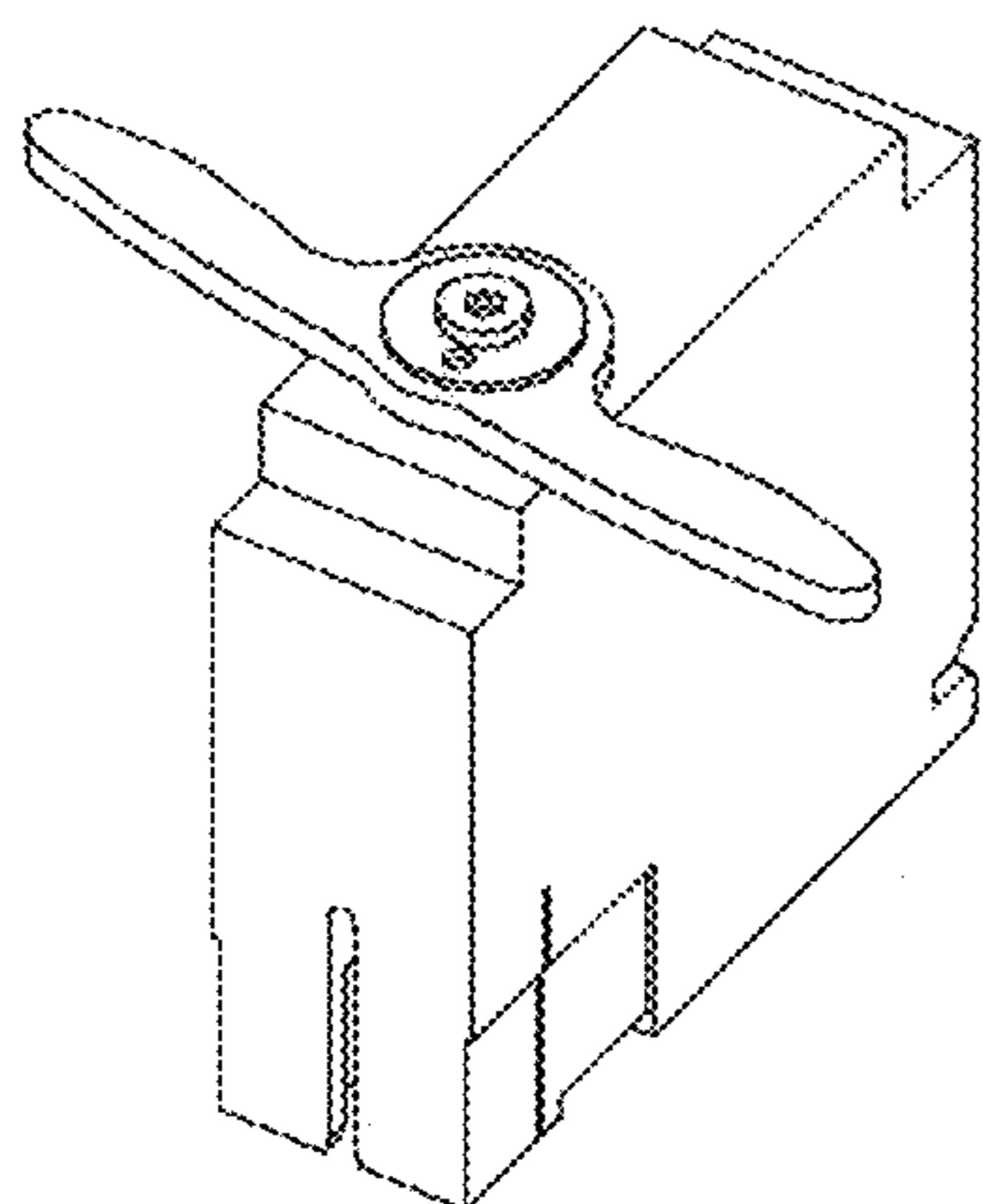
FIG. 3 is a third partial exploded perspective view thereof. FIG. 4 is a fourth exploded perspective view thereof.

FIG. 5 is a fifth exploded perspective view thereof. FIG. 6 is sixth perspective view thereof showing in environmental use; and,

FIG. 7 is a seventh perspective view thereof showing in environmental use.

The broken lines in the drawings represent subject matter that form no part of the claimed design.

1 Claim, 6 Drawing Sheets



(56)

References Cited

U.S. PATENT DOCUMENTS

2014/0313644 A1 * 10/2014 Bhattar H02B 1/04
361/673

OTHER PUBLICATIONS

Breaker Box w/mechanical Interlock, dated May 15, 2009, [online], [site visited Apr. 6, 2018]. Available from Internet, <URL:<http://john.casadelgato.com/Gallery/displayimage.php?pid=1674E>> (Year: 2009).*

Heinemann Circuit Breakers, dated Apr. 25, 2002, [online], [site visited Apr. 9, 2018]. Available from Internet, <URL:http://www.cmsquick.com:80/prod_24_HEC.html> (Year: 2002).*

* cited by examiner

FIG 1

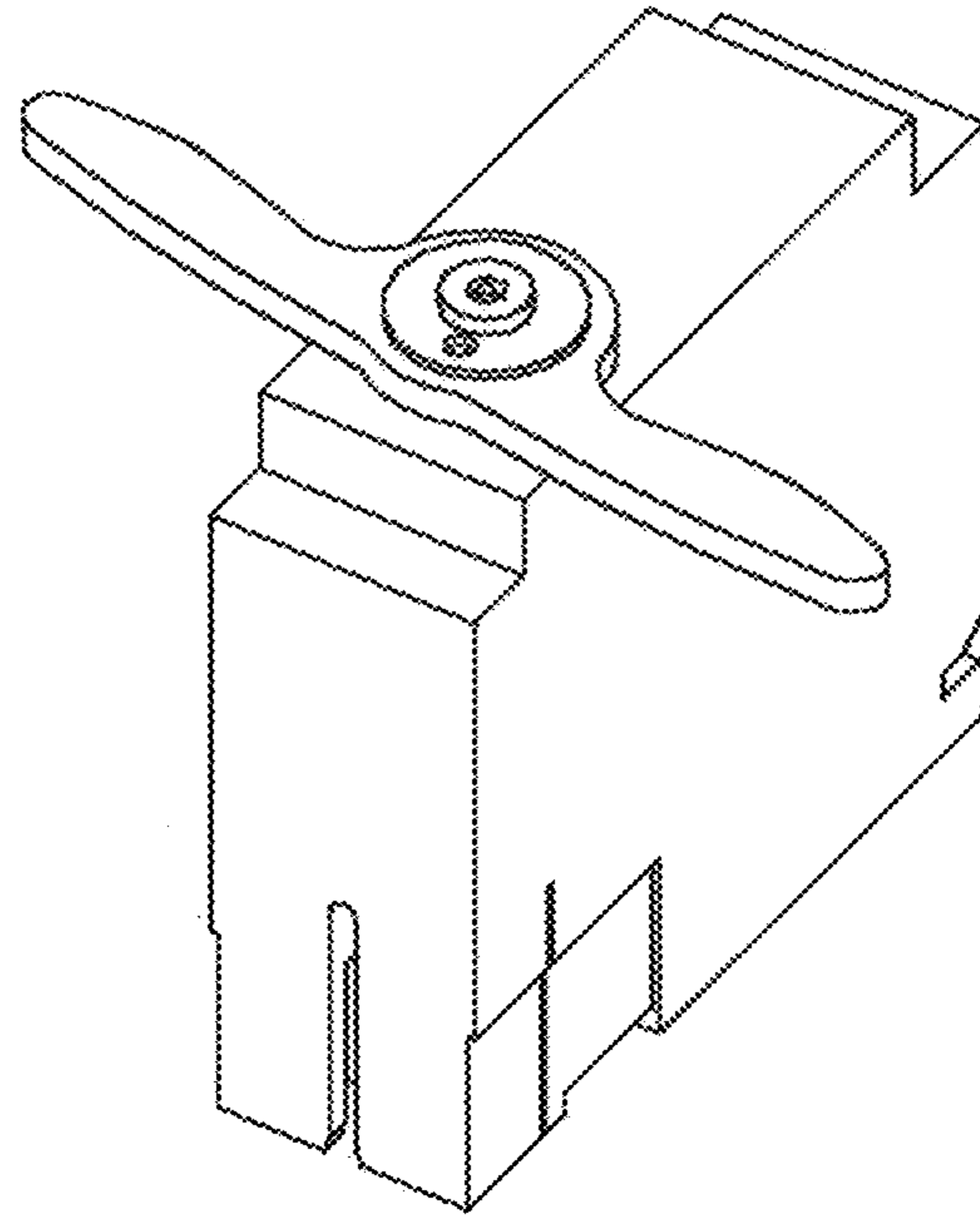
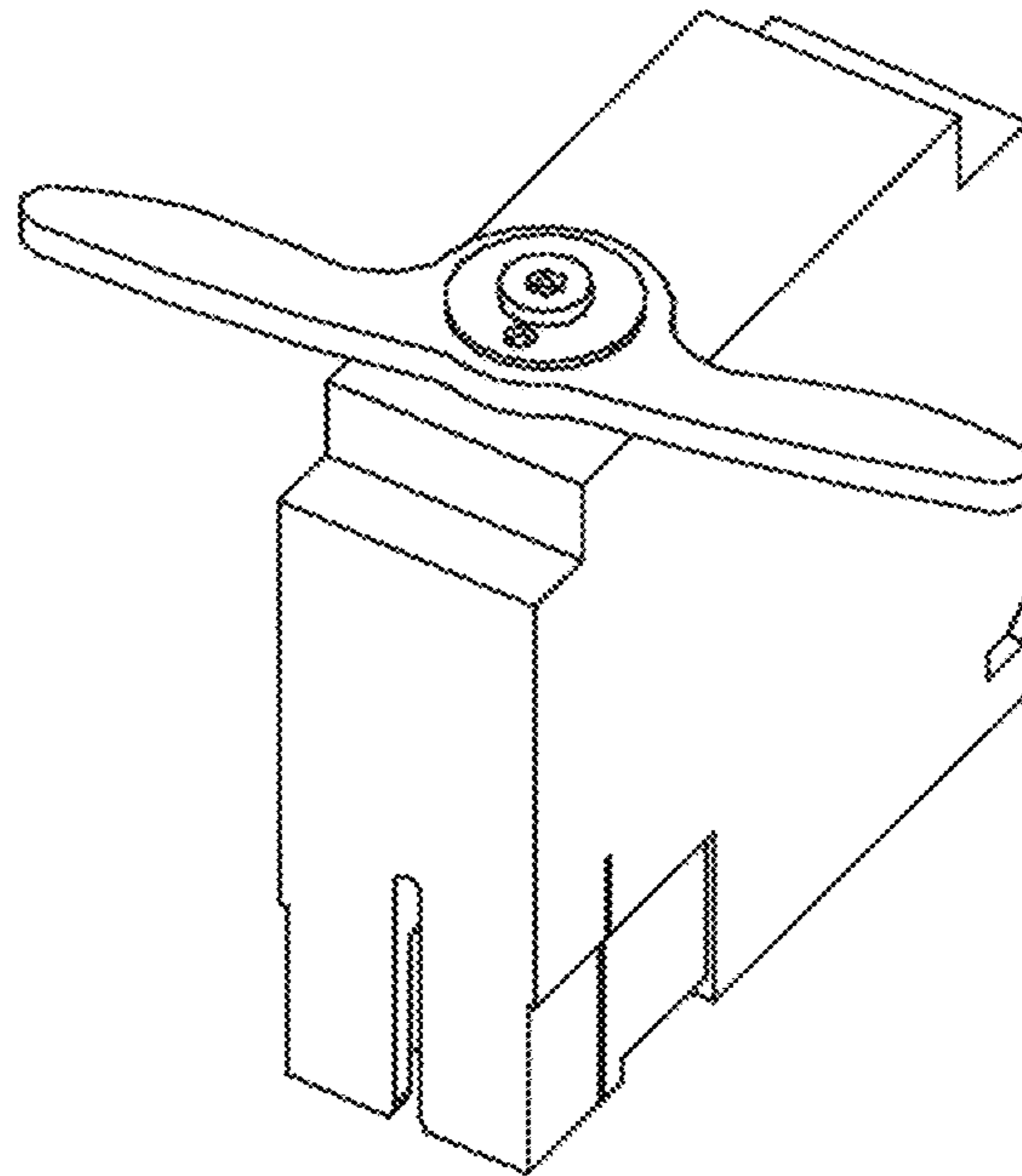
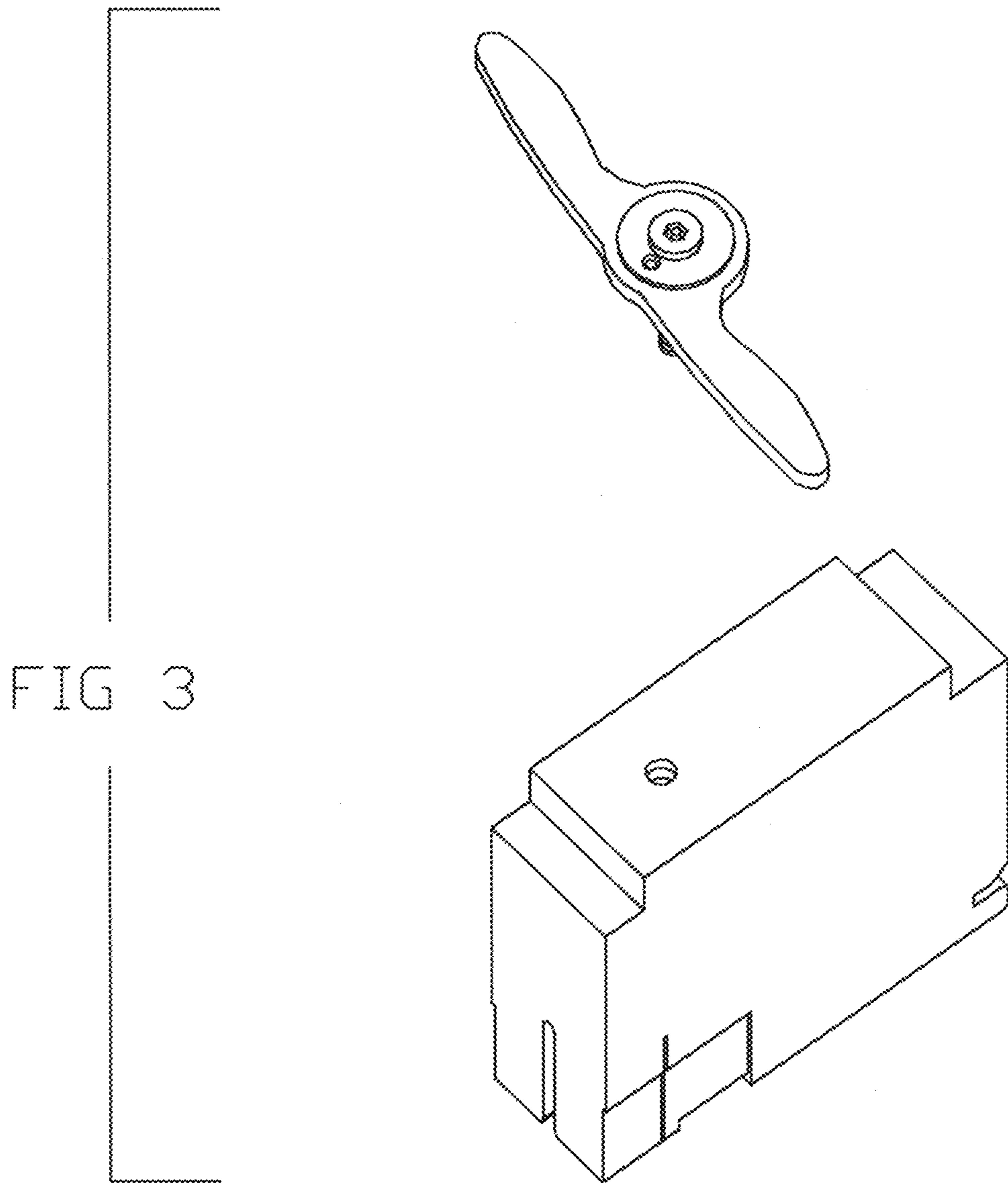


FIG 2





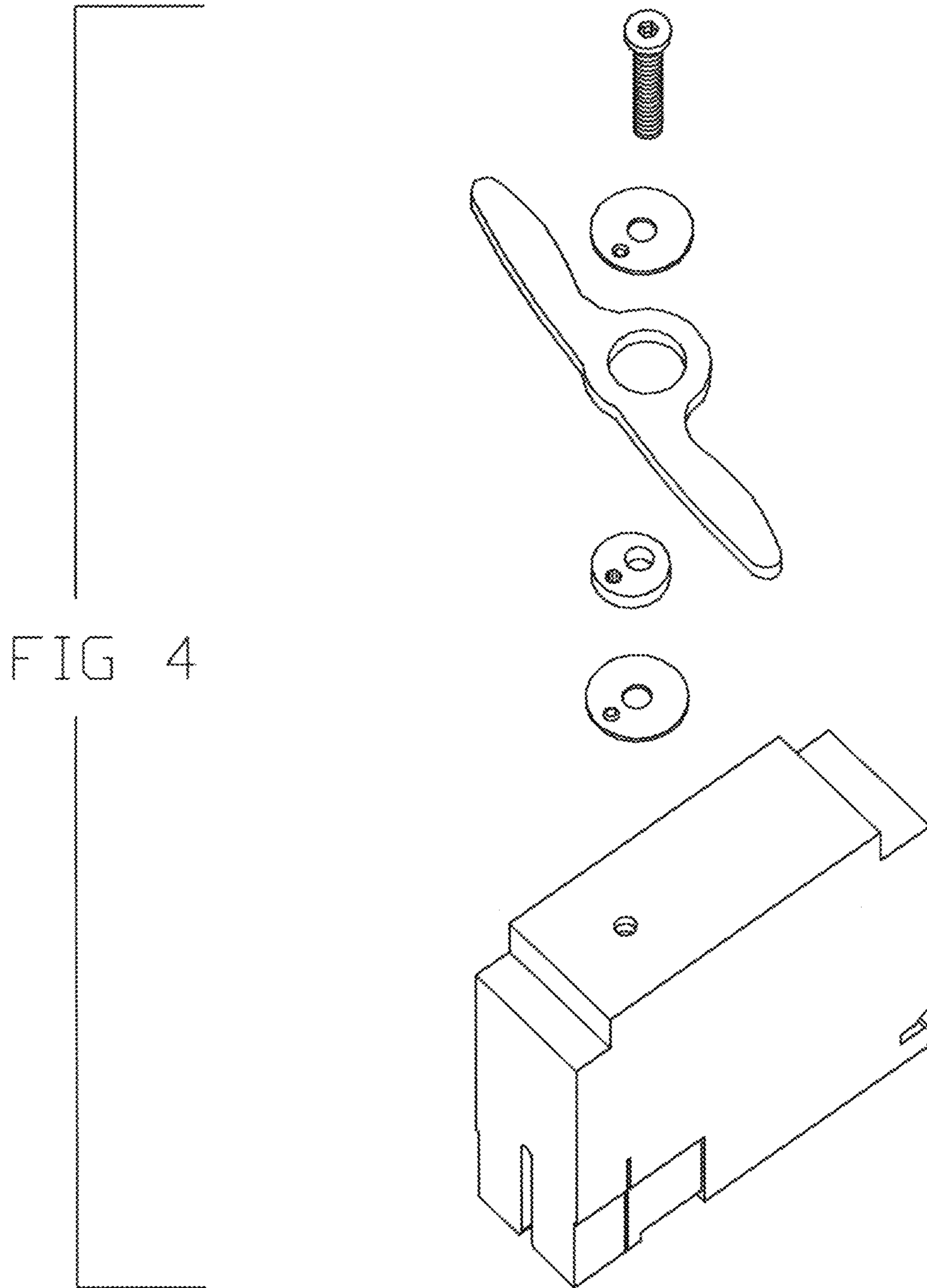
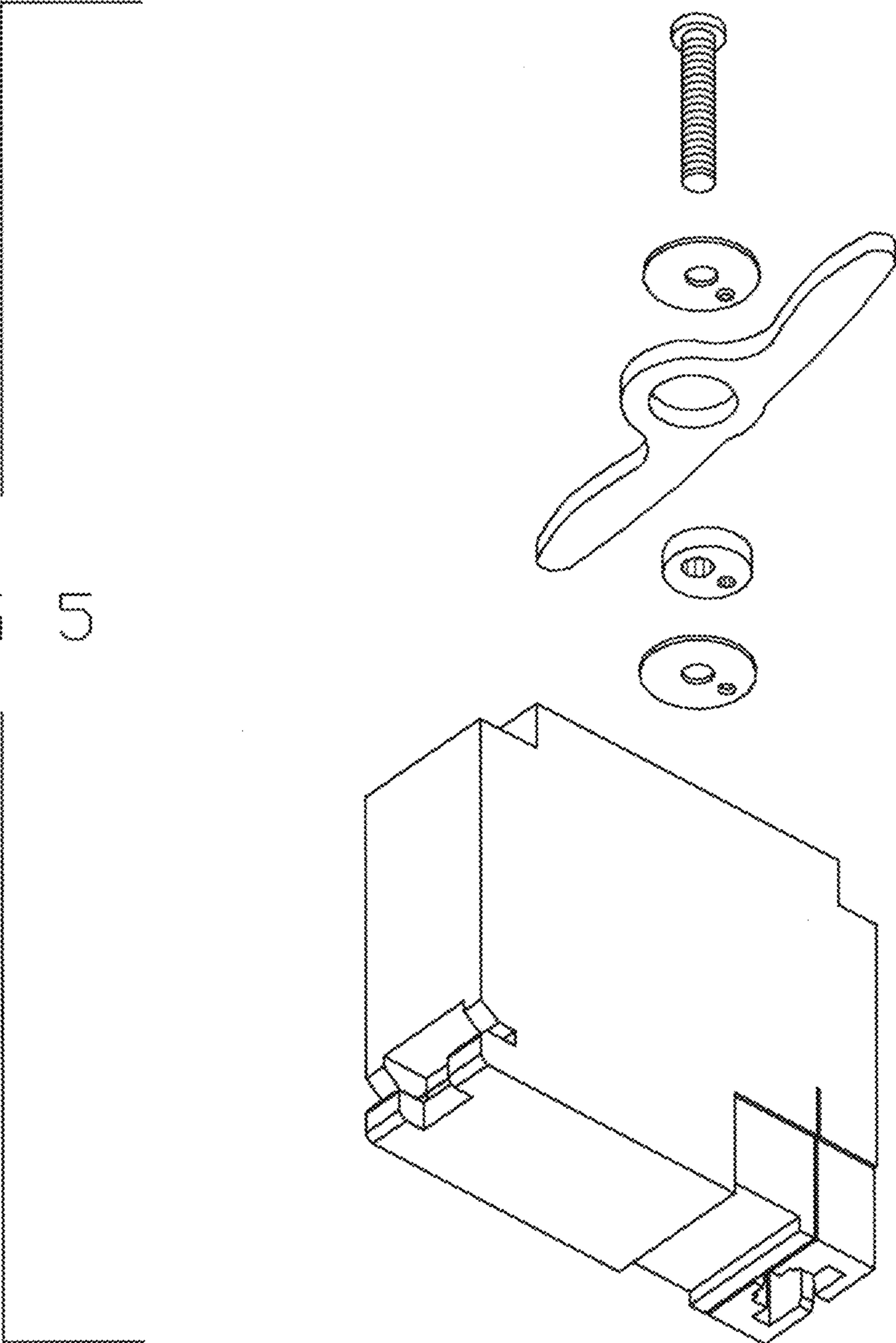


FIG 5



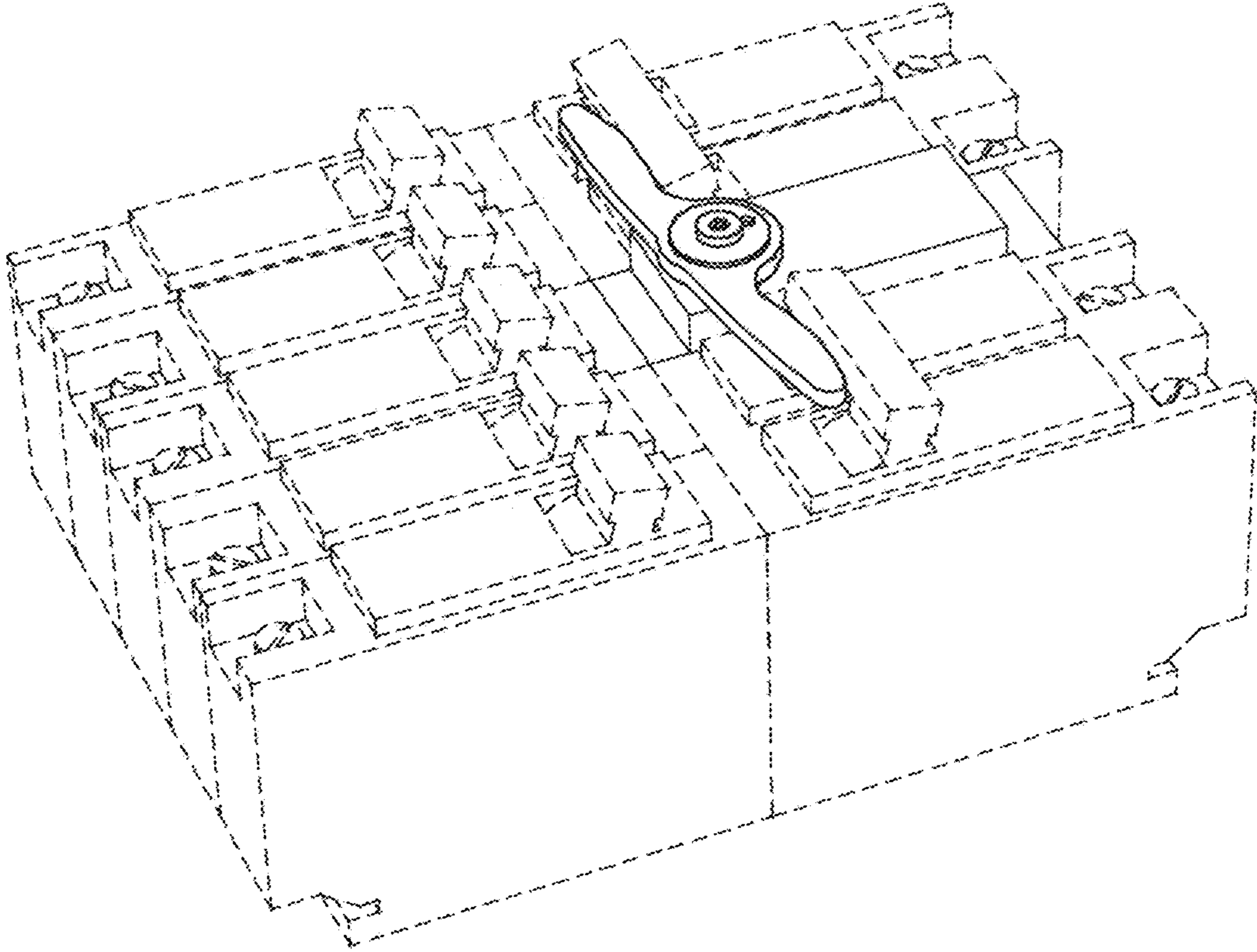


FIG 6

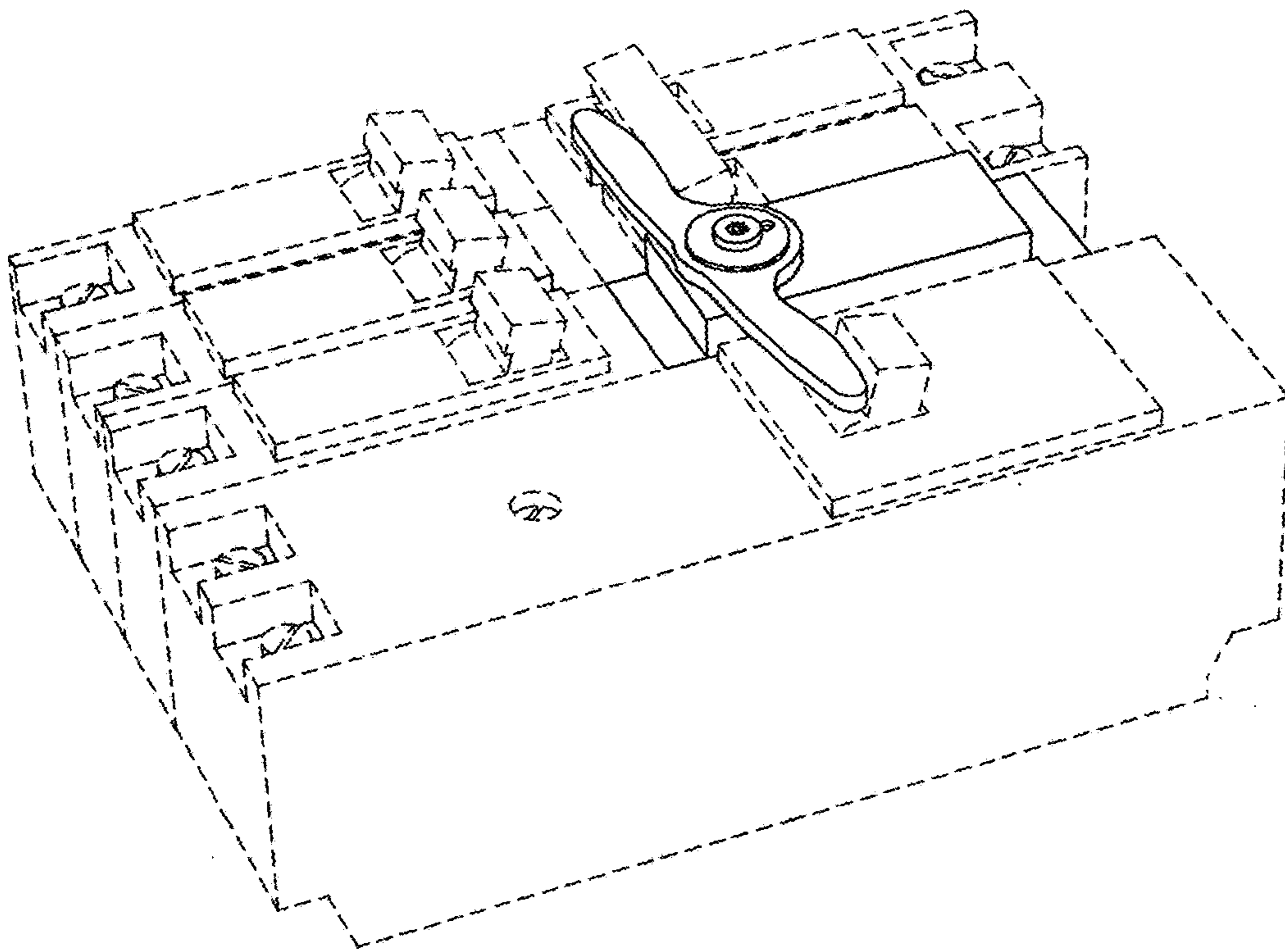


FIG 7