



US00D834533S

(12) **United States Design Patent** (10) **Patent No.:** **US D834,533 S**
Maroney et al. (45) **Date of Patent:** **** Nov. 27, 2018**

- (54) **TORQUE SLEEVE**
- (71) Applicant: **PPC Broadband, Inc.**, East Syracuse, NY (US)
- (72) Inventors: **Richard Maroney**, Camillus, NY (US); **Harold Watkins**, Chittenango, NY (US); **Steve Stankovski**, Clay, NY (US)
- (73) Assignee: **PPC BROADBAND, INC.**, East Syracuse, NY (US)
- (**) Term: **15 Years**
- (21) Appl. No.: **29/633,981**
- (22) Filed: **Jan. 17, 2018**
- (51) **LOC (11) Cl.** **13-03**
- (52) **U.S. Cl.**
USPC **D13/154; D13/150; D13/133**
- (58) **Field of Classification Search**
USPC D13/118, 123, 133, 148–151, 153–156, D13/173, 184, 199; D8/330, 339, 382, D8/383, 387, 396; D23/259, 262; D24/107, 127, 129
CPC F16B 41/00; F16B 41/002; H01R 4/00; H01R 4/24; H01R 4/38; H01R 9/05; H01R 9/0524; H01R 11/03; H01R 12/00; H01R 13/00; H01R 13/40; H01R 13/44; H01R 13/52; H01R 13/62; H01R 13/622; H01R 13/639; H01R 24/525; H01R 43/16
See application file for complete search history.

- D791,310 S * 7/2017 Maurice D24/129
- D820,441 S * 6/2018 Ketelhohn A61B 17/22012 D24/127
- 2005/0081381 A1* 4/2005 Ingram F16L 25/0036 29/890.144
- 2011/0111612 A1* 5/2011 Su H01R 13/5221 439/271
- 2013/0143438 A1* 6/2013 Wilson H01R 9/0524 439/578

OTHER PUBLICATIONS

PCT International RG-6 Tri-shield Coax TRS-6L Cnnection with Torque Sleeve, dated Dec. 5, 2014, [online], [site visited Aug. 14, 2018]. Available from Internet, <URL: <https://www.amazon.com/PCT-International-Tri-Shield-Cnnection-Domestic/dp/B00QMKWVYU>> (Year: 2014).*

PCT Torque Sleeve Tutorial, dated Jun. 18, 2012, [online], [site visited Aug. 14, 2018]. Available from Internet, <URL: <https://www.youtube.com/watch?v=F1dCudMel6o>> (Year: 2012).*

* cited by examiner

Primary Examiner — Angela J Lee
Assistant Examiner — Shawn T Gingrich
 (74) *Attorney, Agent, or Firm* — Oliff PLC

(57) **CLAIM**

The ornamental design for a torque sleeve, as shown and described.

DESCRIPTION

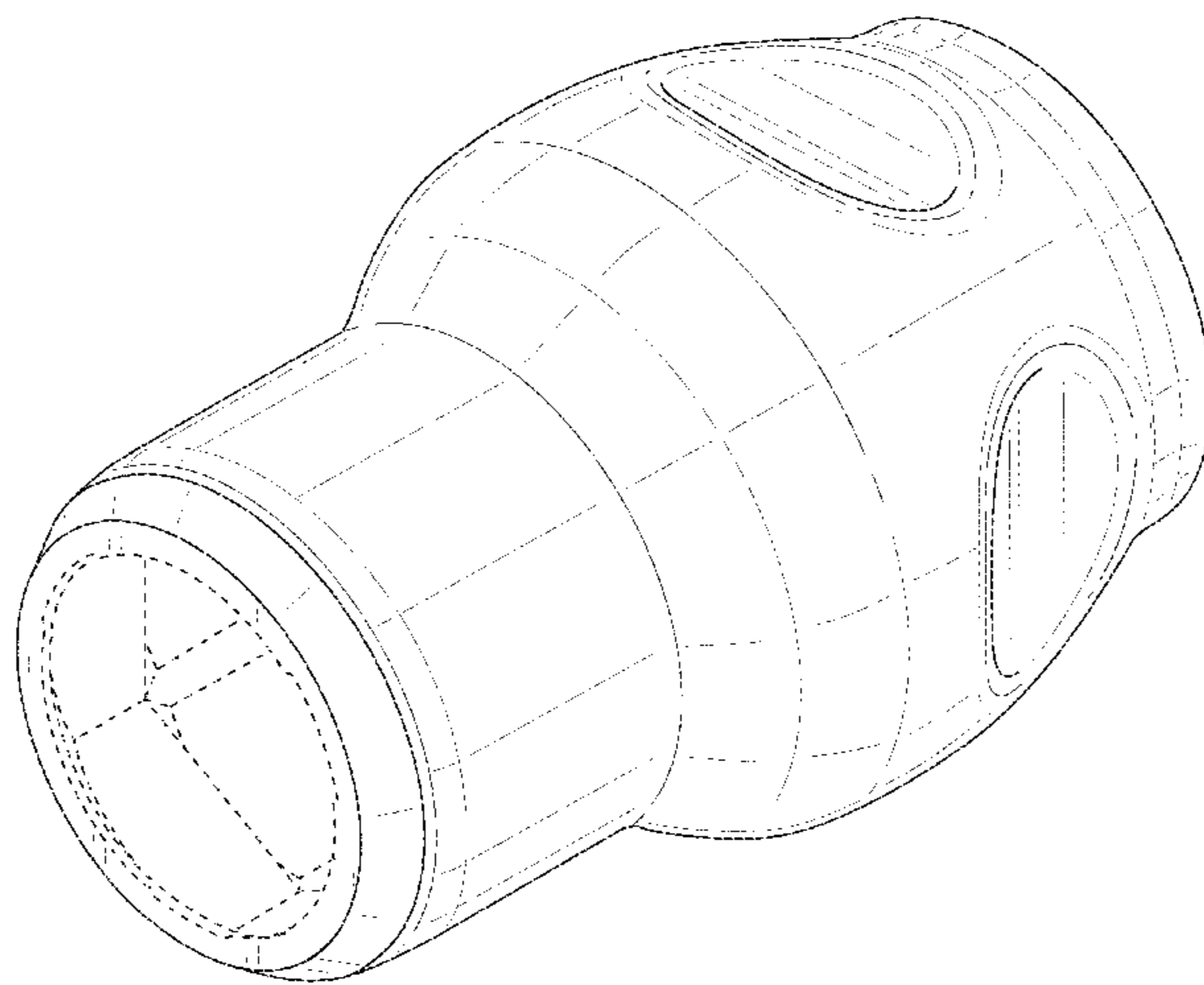
FIG. 1 is a front, top, left-side view of the torque sleeve; FIG. 2 is a front elevational view thereof; FIG. 3 is a rear elevational view thereof; FIG. 4 is a right-side elevational view thereof; FIG. 5 is a left-side elevational view thereof; FIG. 6 is a top plan view thereof; and, FIG. 7 is a bottom plan view thereof.
 The broken lines in the drawings depict portions of the torque sleeve that form no part of the claimed design.

1 Claim, 7 Drawing Sheets

(56) **References Cited**

U.S. PATENT DOCUMENTS

- D239,018 S * 3/1976 Knox D24/129
- D405,057 S * 2/1999 Martin D13/154
- D432,089 S * 10/2000 Malak D13/154
- D461,166 S * 8/2002 Montena D13/133
- D461,778 S * 8/2002 Fox D13/133
- D484,036 S * 12/2003 Koch D8/397
- D586,759 S * 2/2009 Victor D13/156



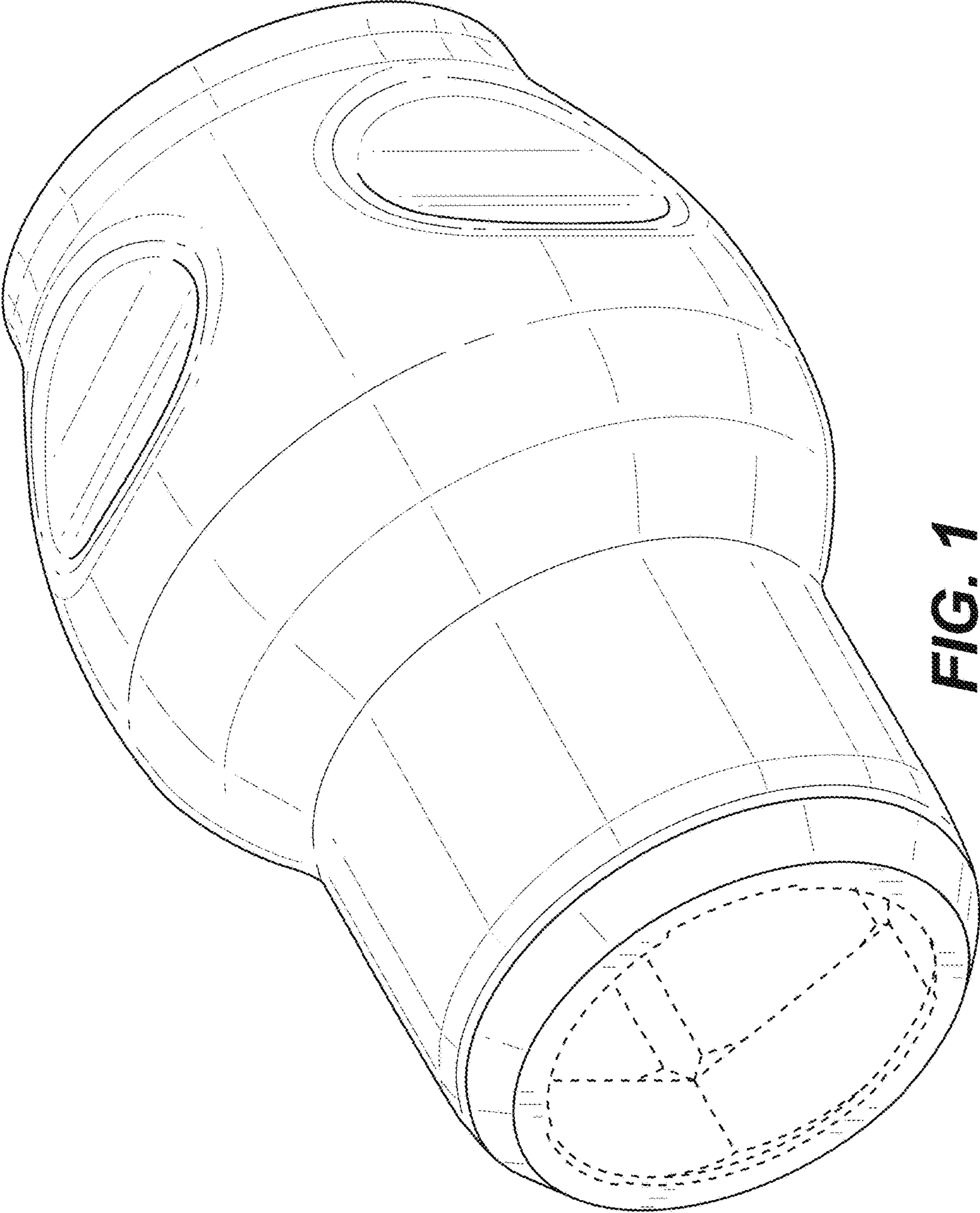


FIG. 1

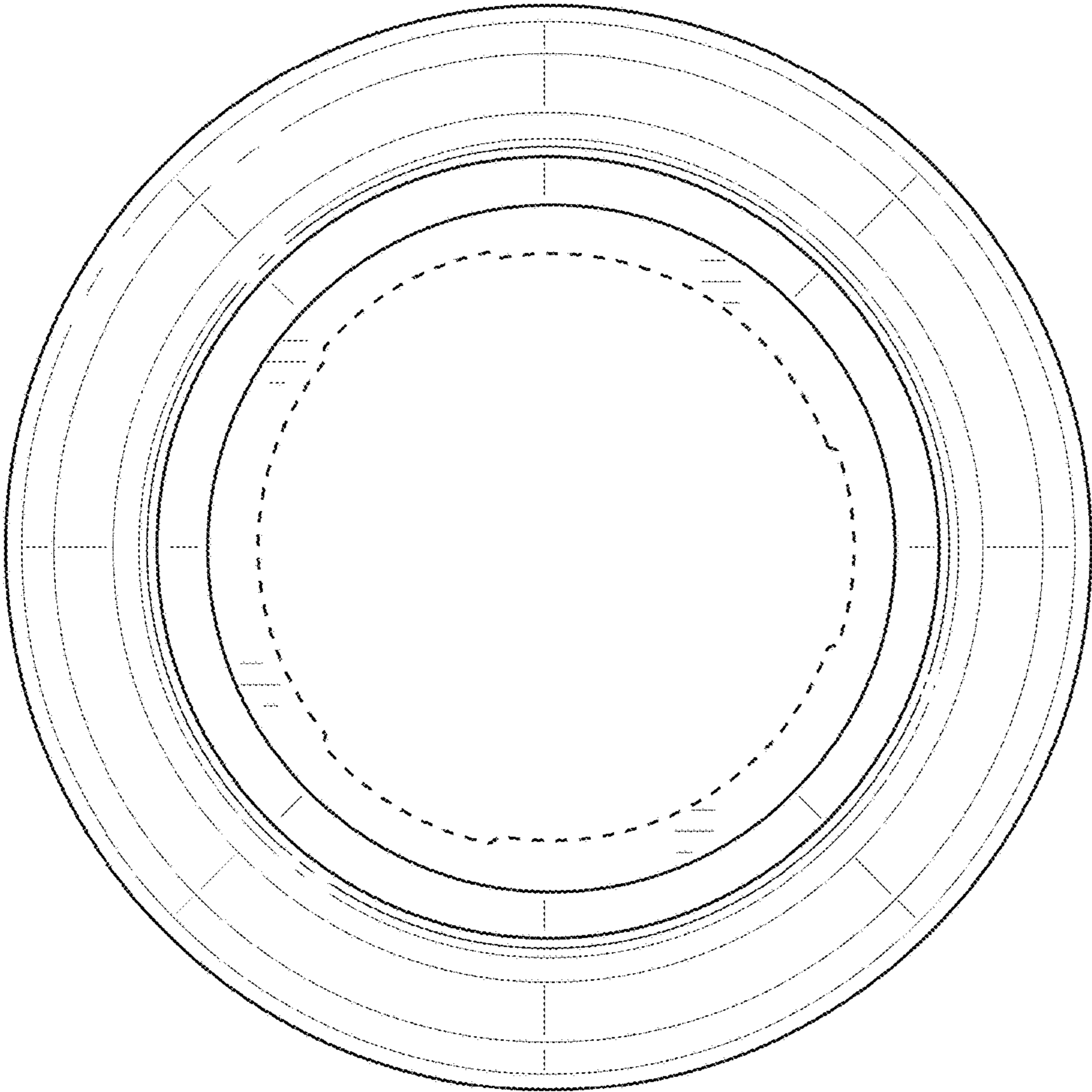


FIG. 2

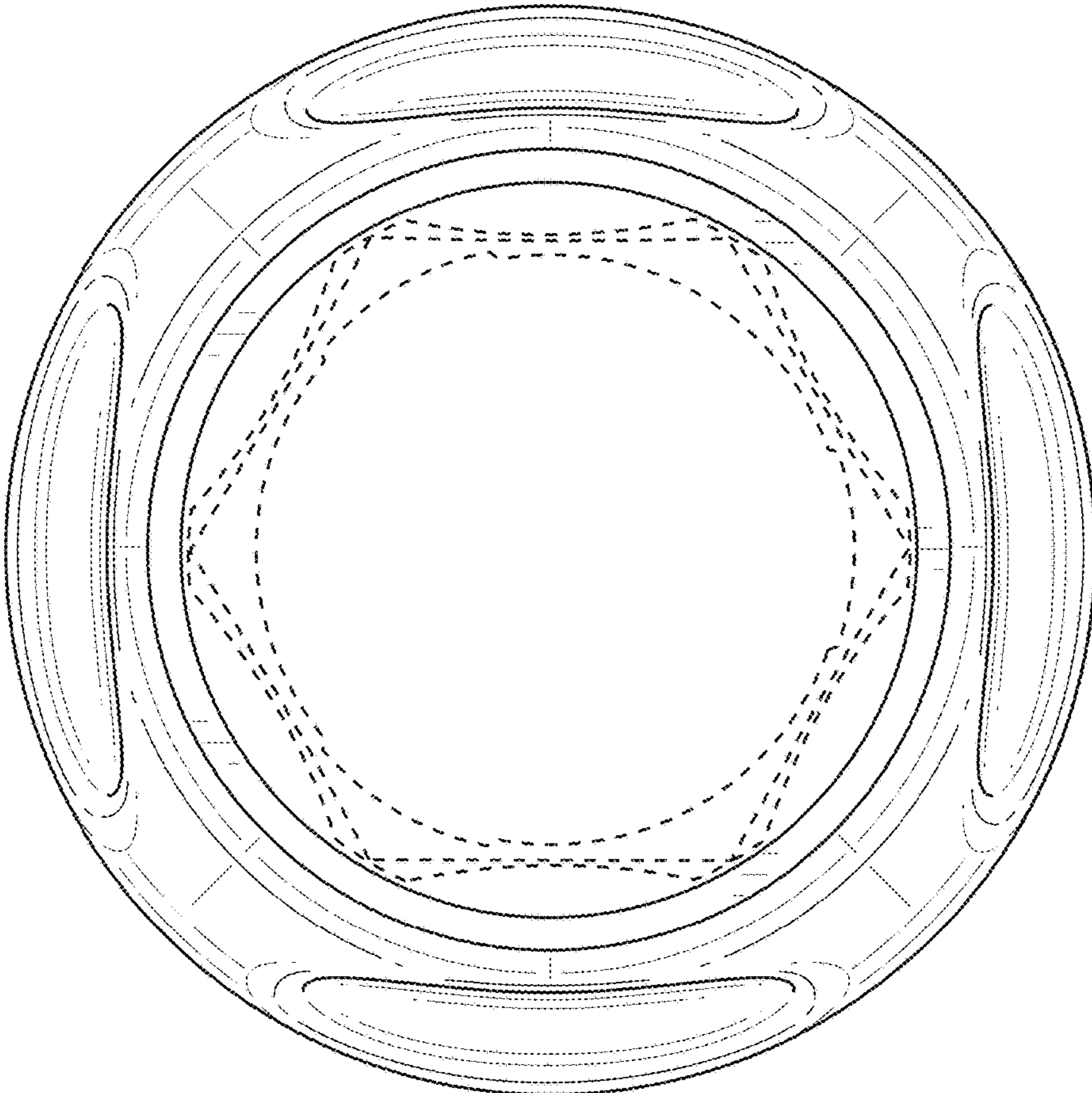


FIG. 3

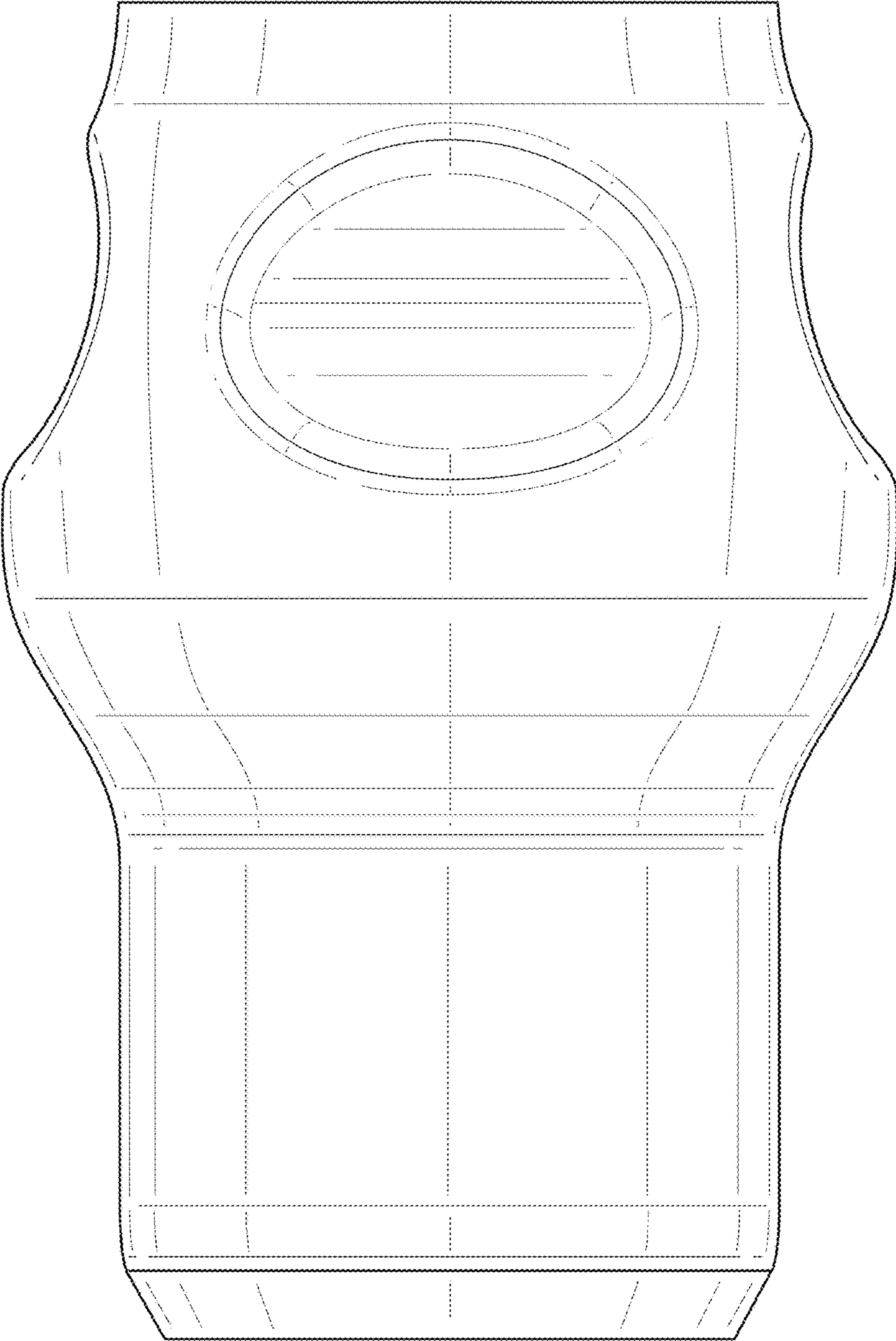


FIG. 4

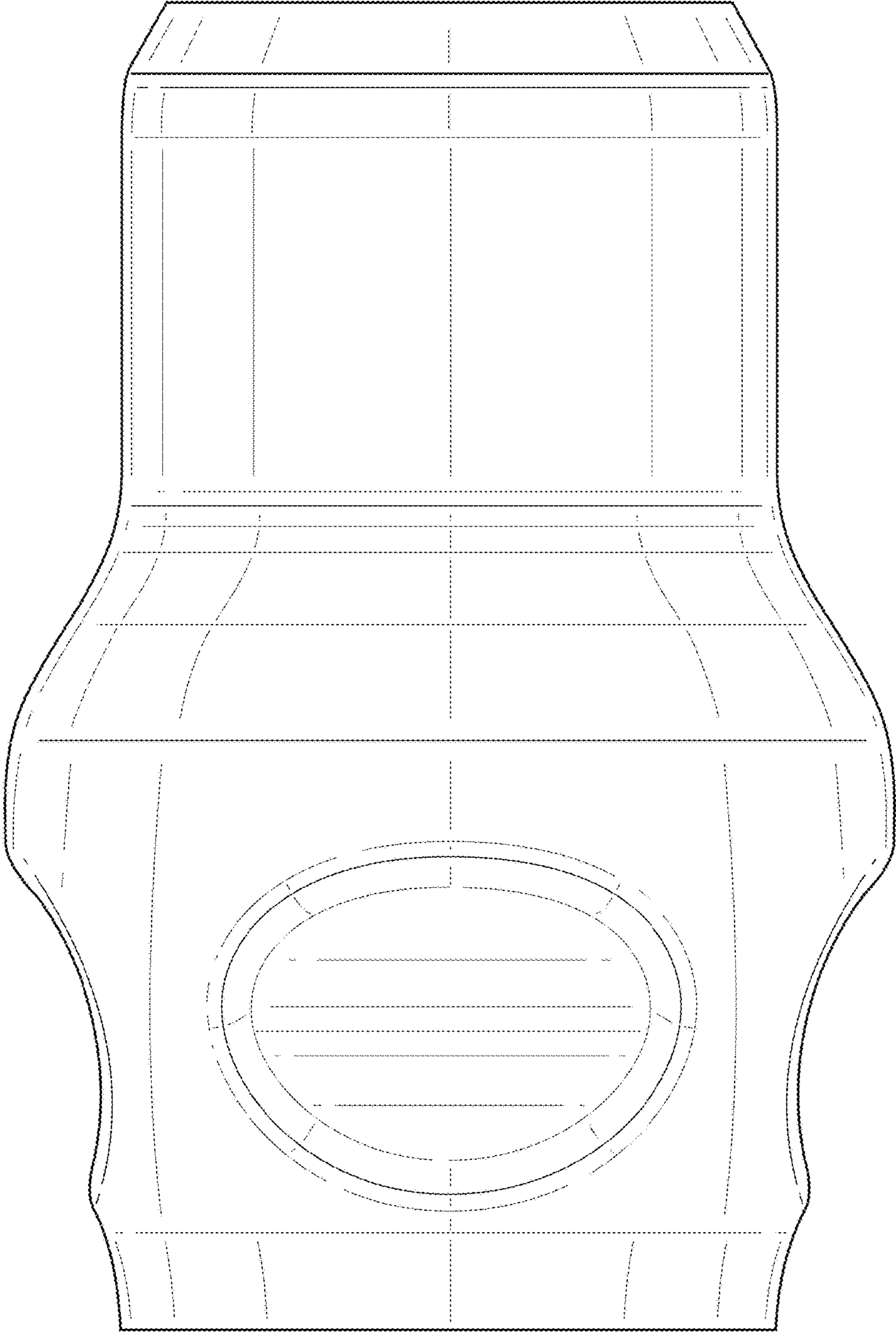


FIG. 5

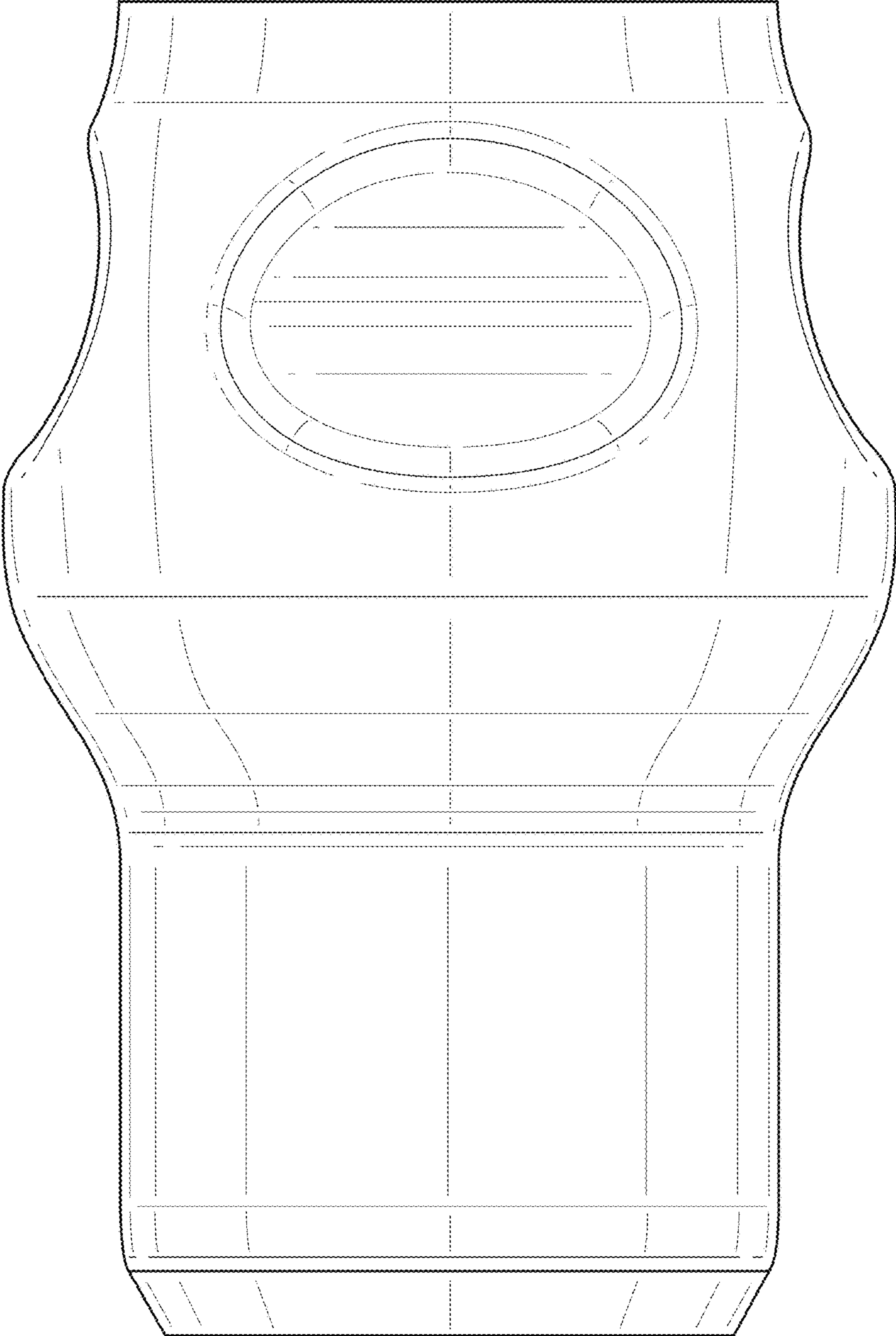


FIG. 6

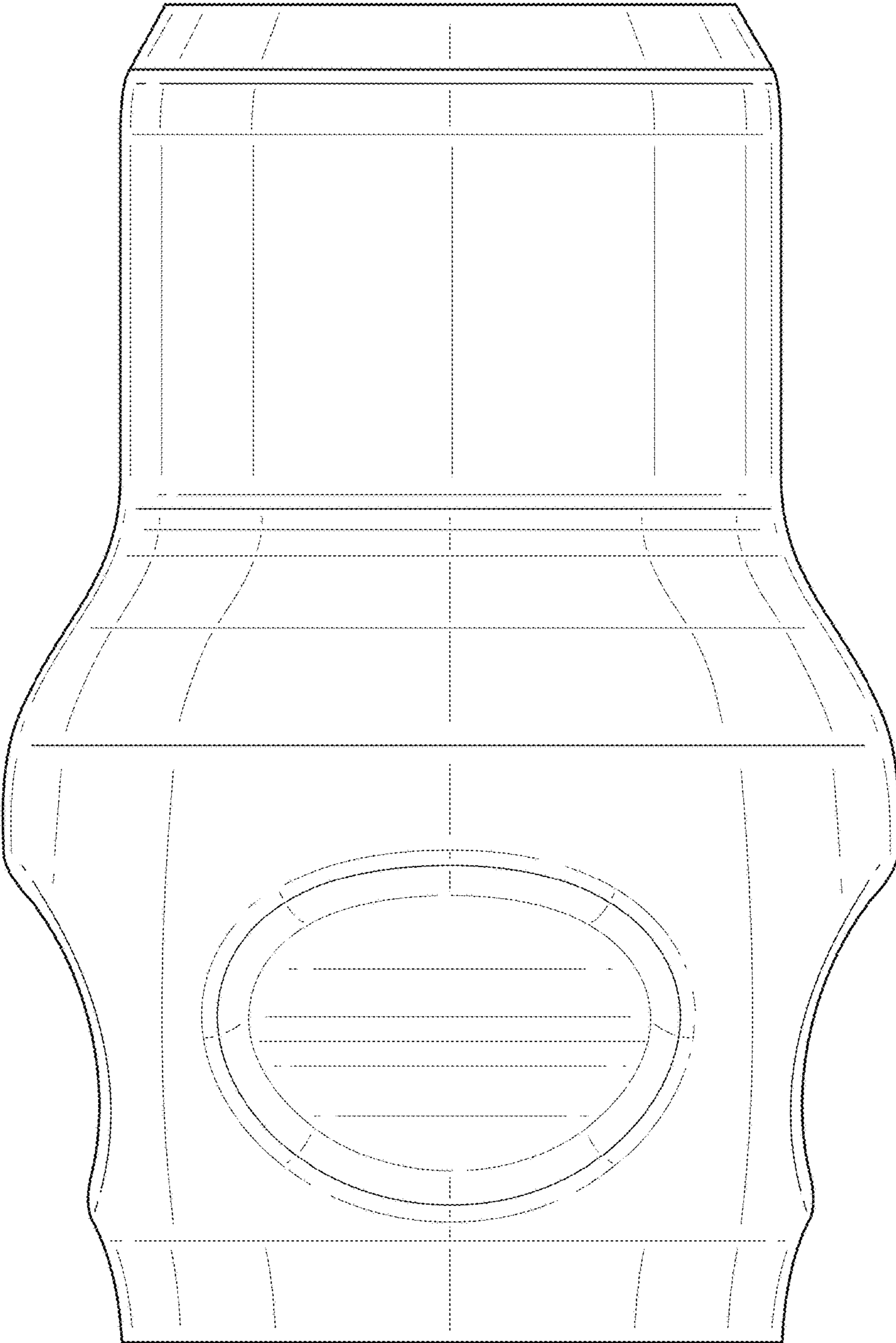


FIG. 7