



US00D834531S

(12) **United States Design Patent** (10) **Patent No.:** **US D834,531 S**  
**Maroney et al.** (45) **Date of Patent:** **\*\* Nov. 27, 2018**

- (54) **TORQUE SLEEVE**
- (71) Applicant: **PPC Broadband, Inc.**, East Syracuse, NY (US)
- (72) Inventors: **Richard Maroney**, Camillus, NY (US); **Harold Watkins**, Chittenango, NY (US); **Steve Stankovski**, Clay, NY (US)
- (73) Assignee: **PPC BROADBAND, INC.**, East Syracuse, NY (US)
- (\*\*) Term: **15 Years**
- (21) Appl. No.: **29/633,966**
- (22) Filed: **Jan. 17, 2018**
- (51) **LOC (11) Cl.** ..... **13-03**
- (52) **U.S. Cl.**  
USPC ..... **D13/154**; D13/150; D13/133
- (58) **Field of Classification Search**  
USPC ..... D13/118, 123, 133, 148-151, 153-156, D13/173, 184, 199; D8/330, 339, 382, D8/383, 387, 396; D23/259, 262; D24/107, 127, 129  
CPC ..... F16B 41/00; F16B 41/002; H01R 4/00; H01R 4/24; H01R 4/38; H01R 9/05; H01R 9/0524; H01R 11/03; H01R 12/00; H01R 13/00; H01R 13/40; H01R 13/44; H01R 13/52; H01R 13/62; H01R 13/622; H01R 13/639; H01R 24/525; H01R 43/16  
See application file for complete search history.

- D582,850 S \* 12/2008 Andre ..... D13/133
- D586,759 S \* 2/2009 Victor ..... D13/156
- D624,396 S \* 9/2010 Yoshiguchi ..... D8/383
- D647,627 S \* 10/2011 Wilkinson ..... D24/224
- D754,073 S \* 4/2016 Katagiyama ..... D13/133
- 2010/0104355 A1\* 4/2010 Sugimoto ..... G02B 6/3897  
403/292
- 2013/0143438 A1\* 6/2013 Wilson ..... H01R 9/0524  
439/578

**OTHER PUBLICATIONS**

PCT International RG-6 Tri-shield Coax TRS-6L Cnnection with Torque Sleeve, dated Dec. 5, 2014, [online], [site visited Aug. 14, 2018]. Available from Internet, <URL: <https://www.amazon.com/PCT-International-Tri-Shield-Cnnection-Domestic/dp/B00QMKWVYU>> (Year: 2014).\*

PCT Torque Sleeve Tutorial, dated Jun. 18, 2012, [online], [site visited Aug. 14, 2018]. Available from Internet, <URL: <https://www.youtube.com/watch?v=F1dCudMel6o>> (Year: 2012).\*

\* cited by examiner

*Primary Examiner* — Angela J Lee  
*Assistant Examiner* — Shawn T Gingrich  
 (74) *Attorney, Agent, or Firm* — Oliff PLC

(57) **CLAIM**

The ornamental design for a torque sleeve, as shown and described.

**DESCRIPTION**

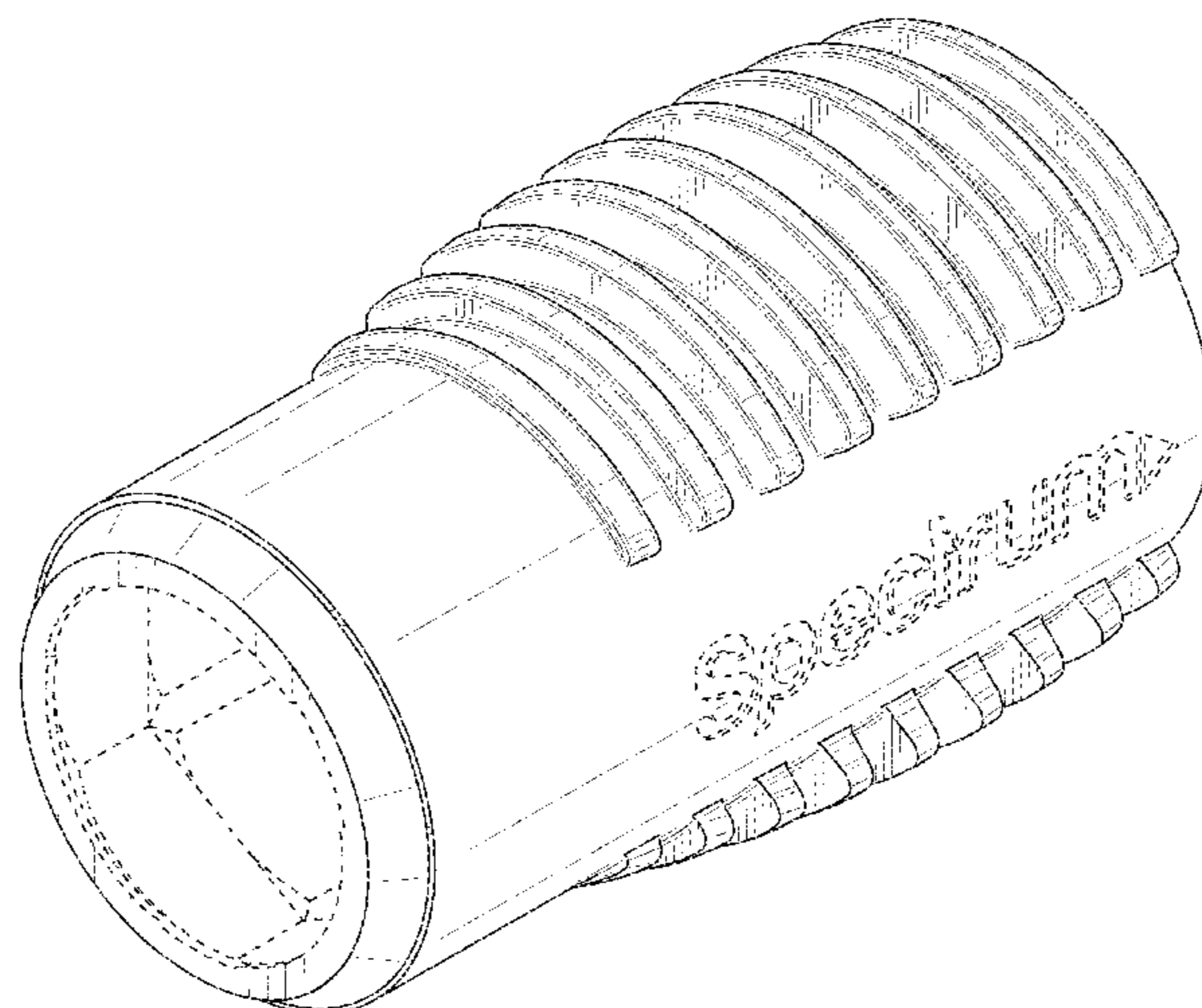
FIG. 1 is a front, top, left-side view of the torque sleeve; FIG. 2 is a front elevational view thereof; FIG. 3 is a rear elevational view thereof; FIG. 4 is a right-side elevational view thereof; FIG. 5 is a left-side elevational view thereof; FIG. 6 is a top plan view thereof; and, FIG. 7 is a bottom plan view thereof. The broken lines in the drawings depict portions of the torque sleeve that form no part of the claimed design.

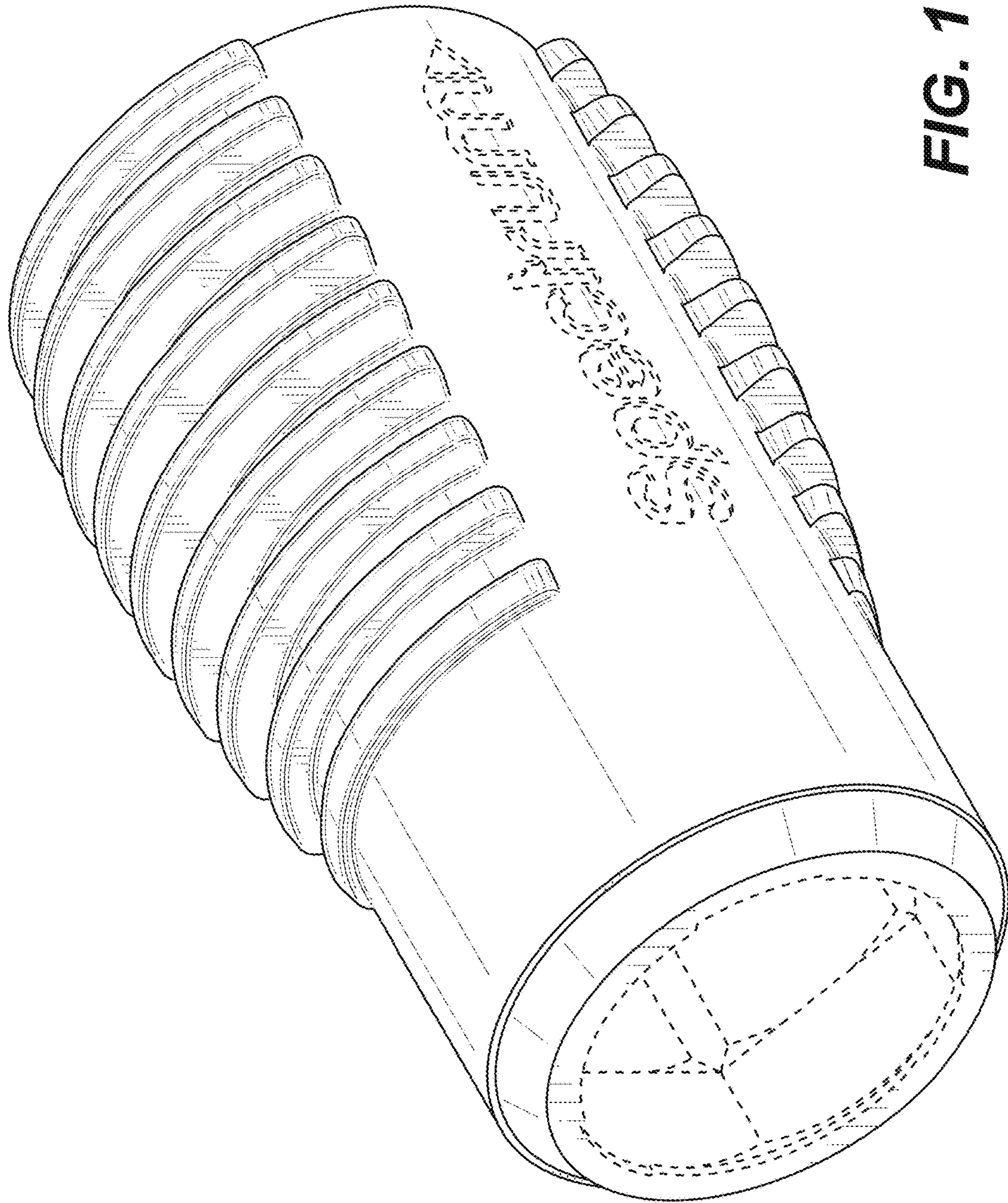
**1 Claim, 7 Drawing Sheets**

(56) **References Cited**

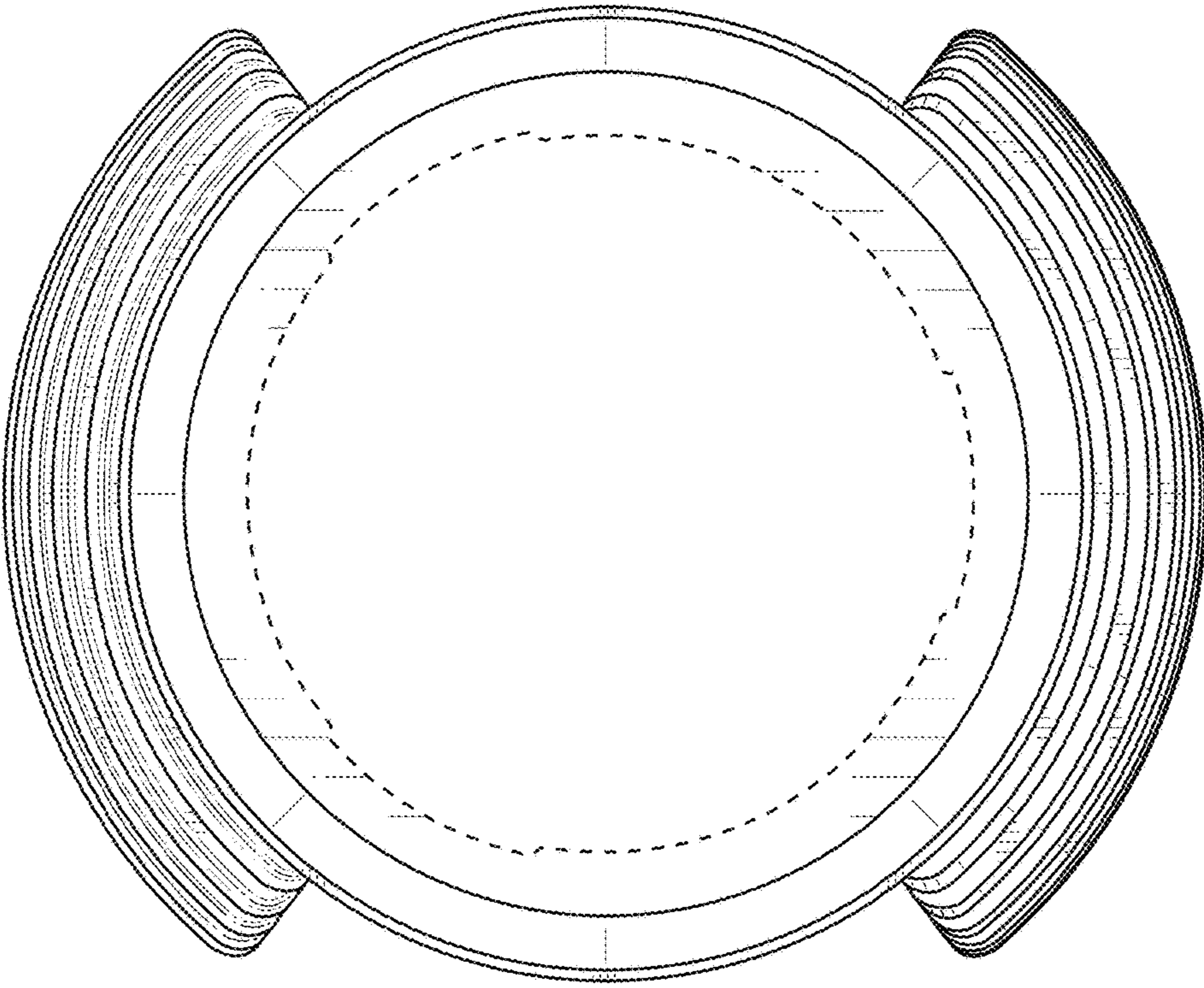
**U.S. PATENT DOCUMENTS**

- D200,538 S \* 3/1965 Esser ..... D13/150
- 3,350,499 A \* 10/1967 Swanson ..... H01R 4/22  
174/138 F
- D302,729 S \* 8/1989 Stephens ..... D24/129
- D330,011 S \* 10/1992 Miller ..... D13/150
- D460,946 S \* 7/2002 Montena ..... D13/154
- D511,203 S \* 11/2005 Bressler ..... D23/262

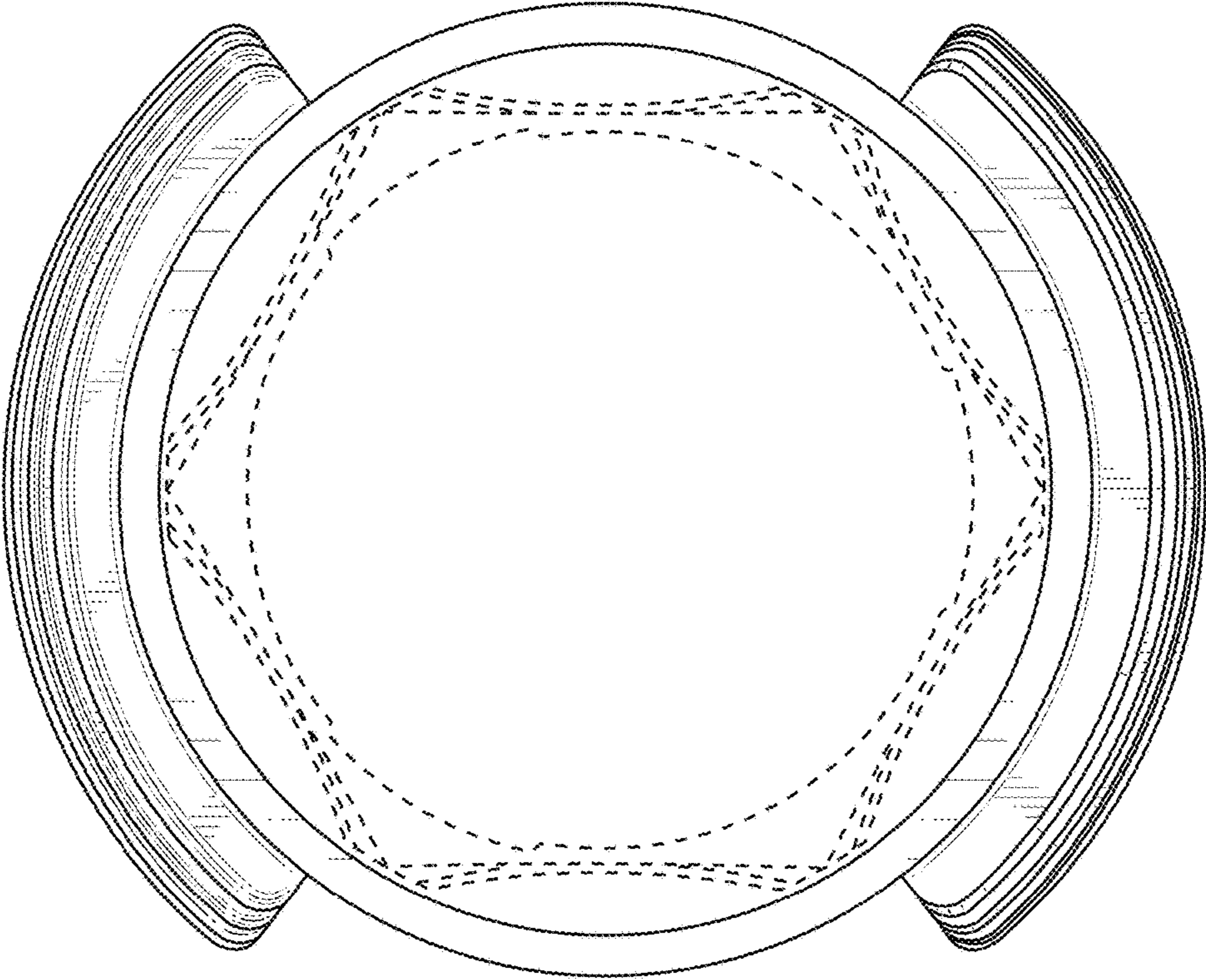




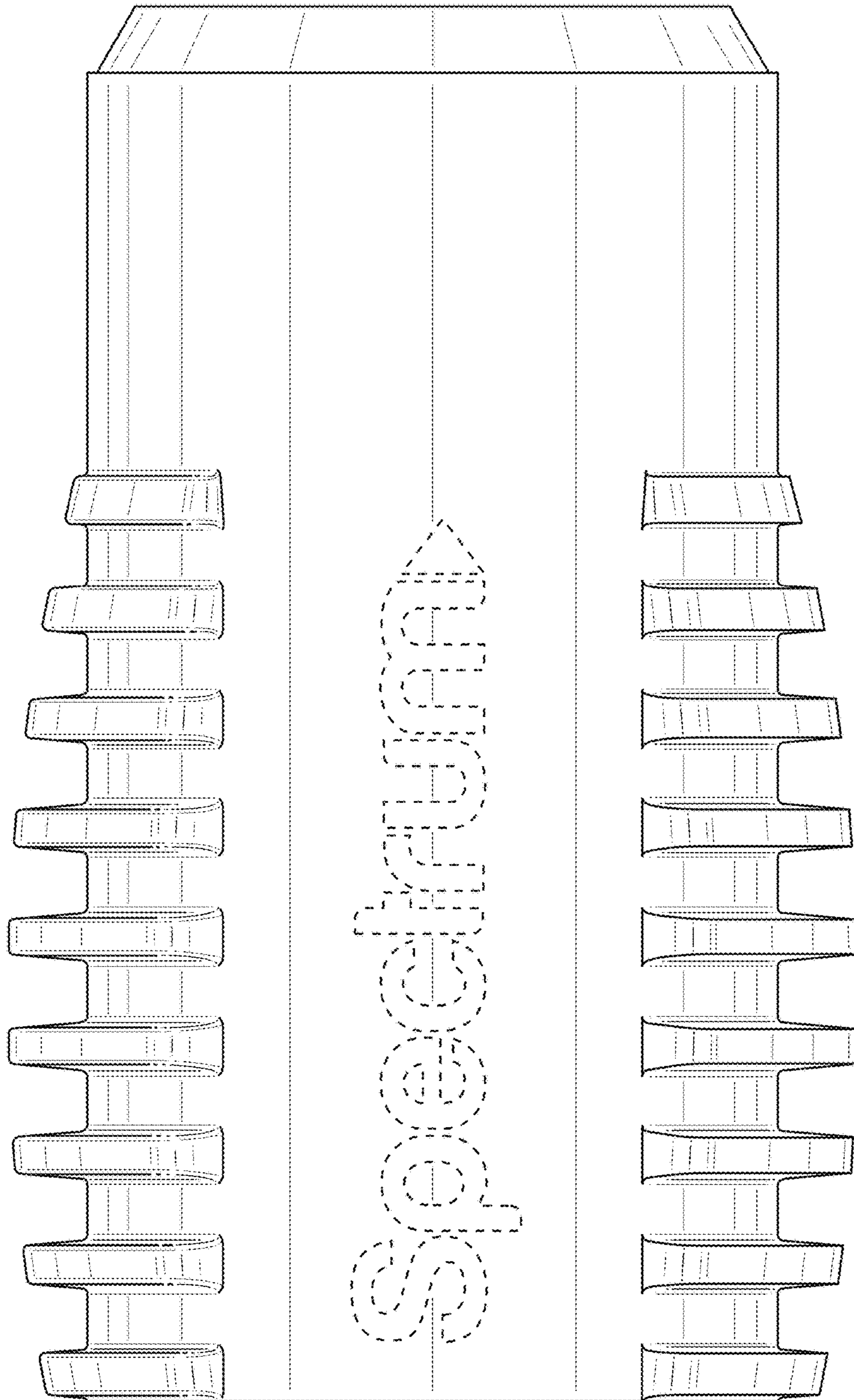




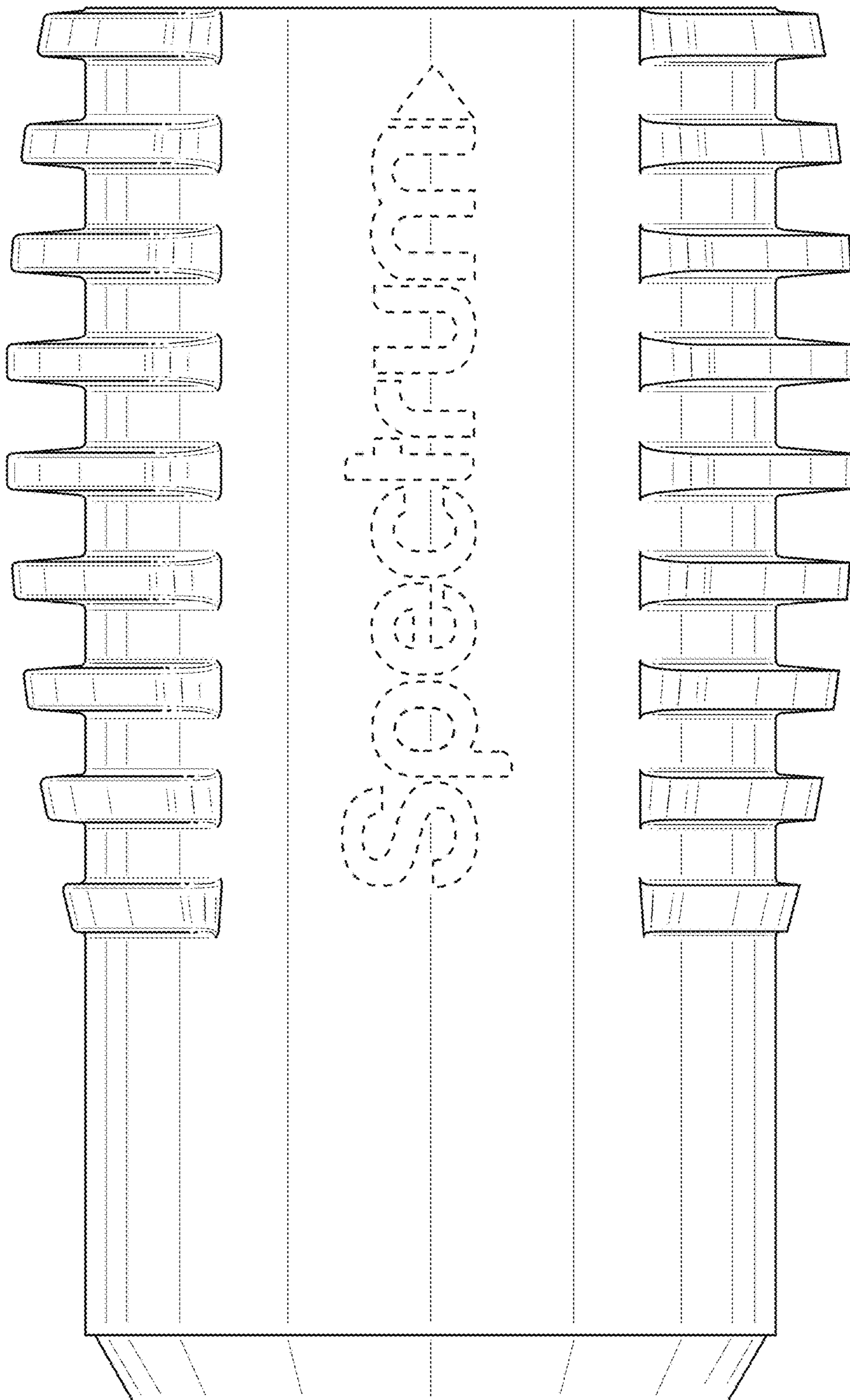
**FIG. 2**



**FIG. 3**

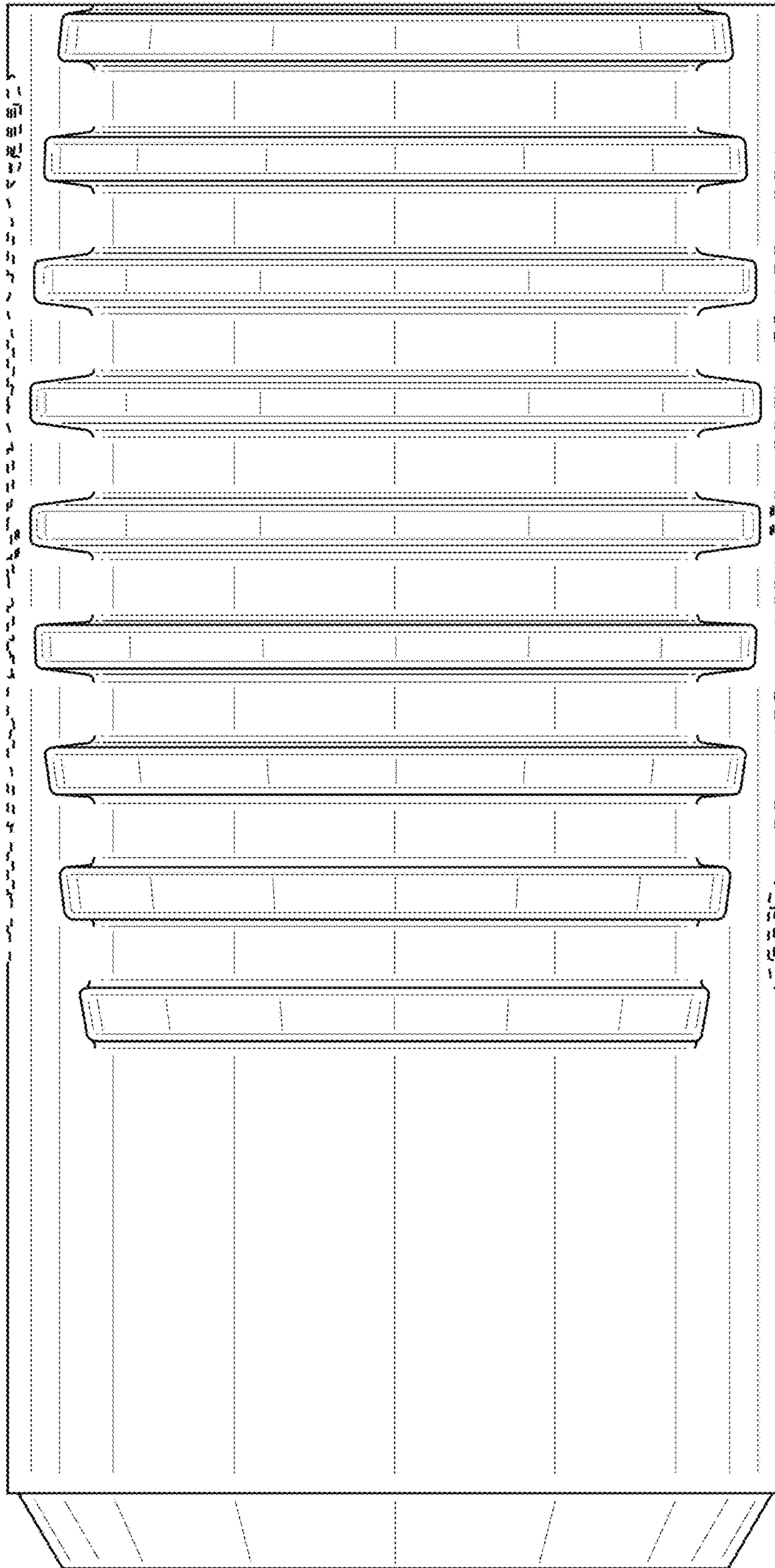


**FIG. 4**

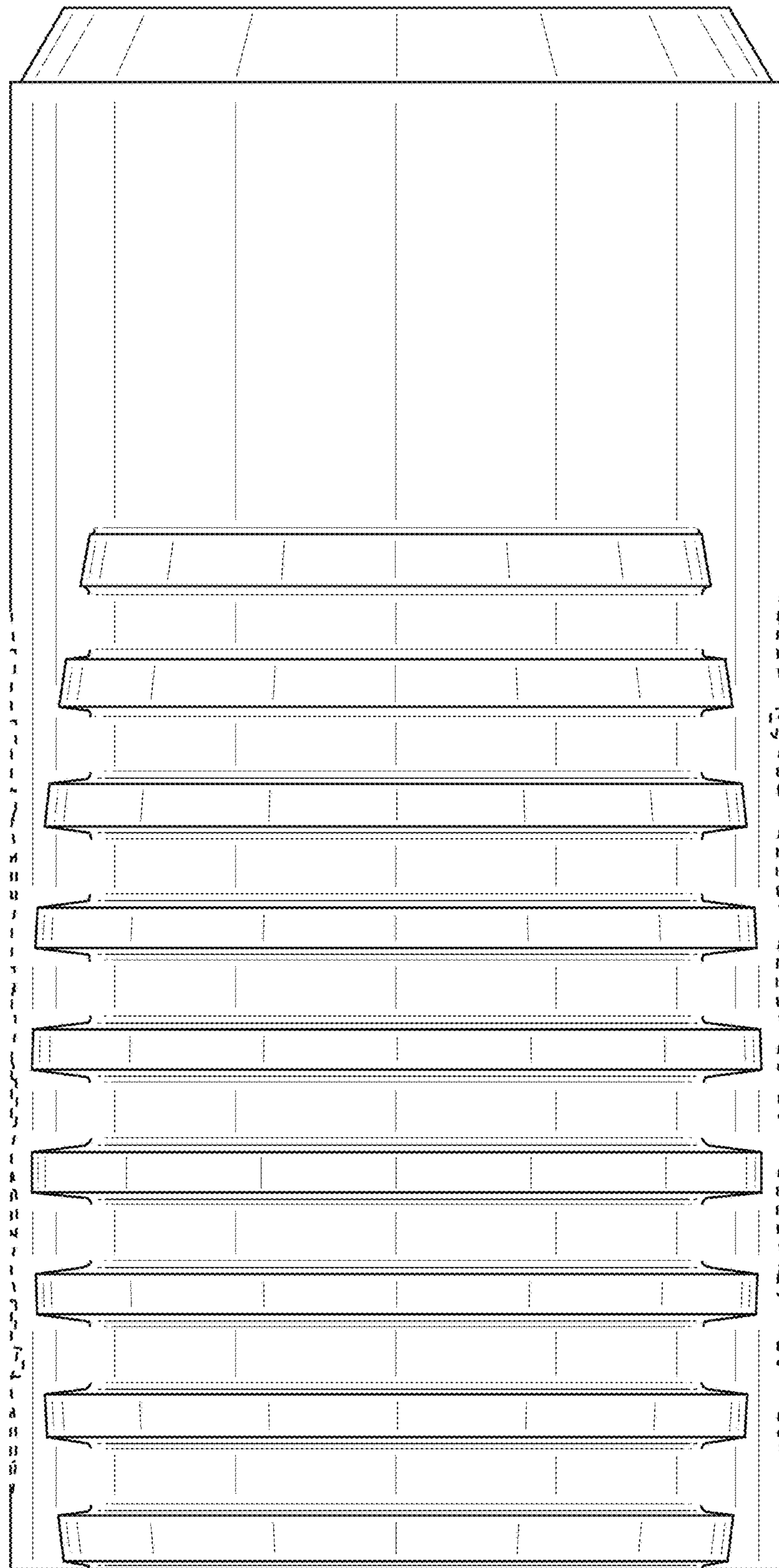


**FIG. 5**





**FIG. 6**



**FIG. 7**