

US00D834529S

(12) **United States Design Patent** (10) **Patent No.:** **US D834,529 S**
Murphy et al. (45) **Date of Patent:** **** Nov. 27, 2018**

(54) **BUSBAR**

(71) Applicant: **General Electric Company**,
Schenectady, NY (US)

(72) Inventors: **Mark Allen Murphy**, Erie, PA (US);
Jeffrey John Wolff, Girard, PA (US);
Jason Daniel Kuttenkuler, Wattsburg,
PA (US); **Henry Todd Young**, Erie, PA
(US)

(73) Assignee: **General Electric Company**,
Schenectady, NY (US)

(**) Term: **15 Years**

(21) Appl. No.: **29/602,699**

(22) Filed: **May 2, 2017**

(51) **LOC (11) Cl.** **13-03**

(52) **U.S. Cl.**
USPC **D13/154; D13/147**

(58) **Field of Classification Search**
USPC D13/123, 133, 146, 147, 154, 184, 199
CPC ... H02B 1/20; H02B 1/21; H02B 1/22; H02G
5/00; H02G 5/007; H02G 5/04; H02G
5/06; H02P 27/06; H02M 7/00; H02M
7/44; B60R 16/02; B60R 16/03

See application file for complete search history.

(56) **References Cited**

U.S. PATENT DOCUMENTS

D743,902 S *	11/2015	Murphy	D13/147
D757,655 S *	5/2016	Murphy	D13/147
D760,656 S *	7/2016	Murphy	D13/147
D784,264 S *	4/2017	Murphy	D13/147

* cited by examiner

Primary Examiner — Daniel Bui

(74) *Attorney, Agent, or Firm* — GE Global Patent
Operation; John A. Kramer

(57) **CLAIM**

The ornamental design for a busbar, as shown and described.

DESCRIPTION

FIG. 1 is a perspective view of a busbar depicting our new design;

FIG. 2 is an additional perspective view thereof;

FIG. 3 is a front view thereof;

FIG. 4 is a rear view thereof;

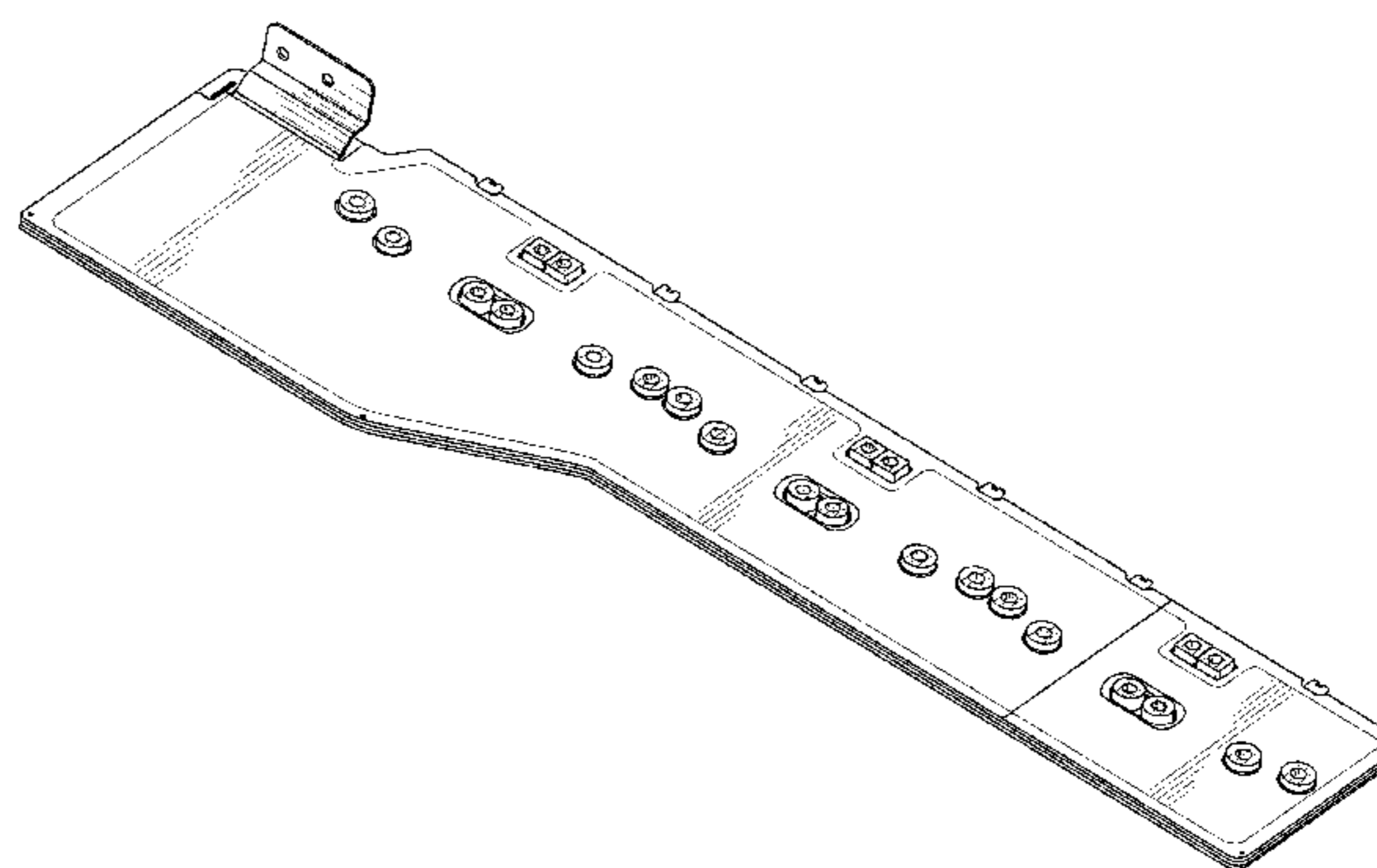
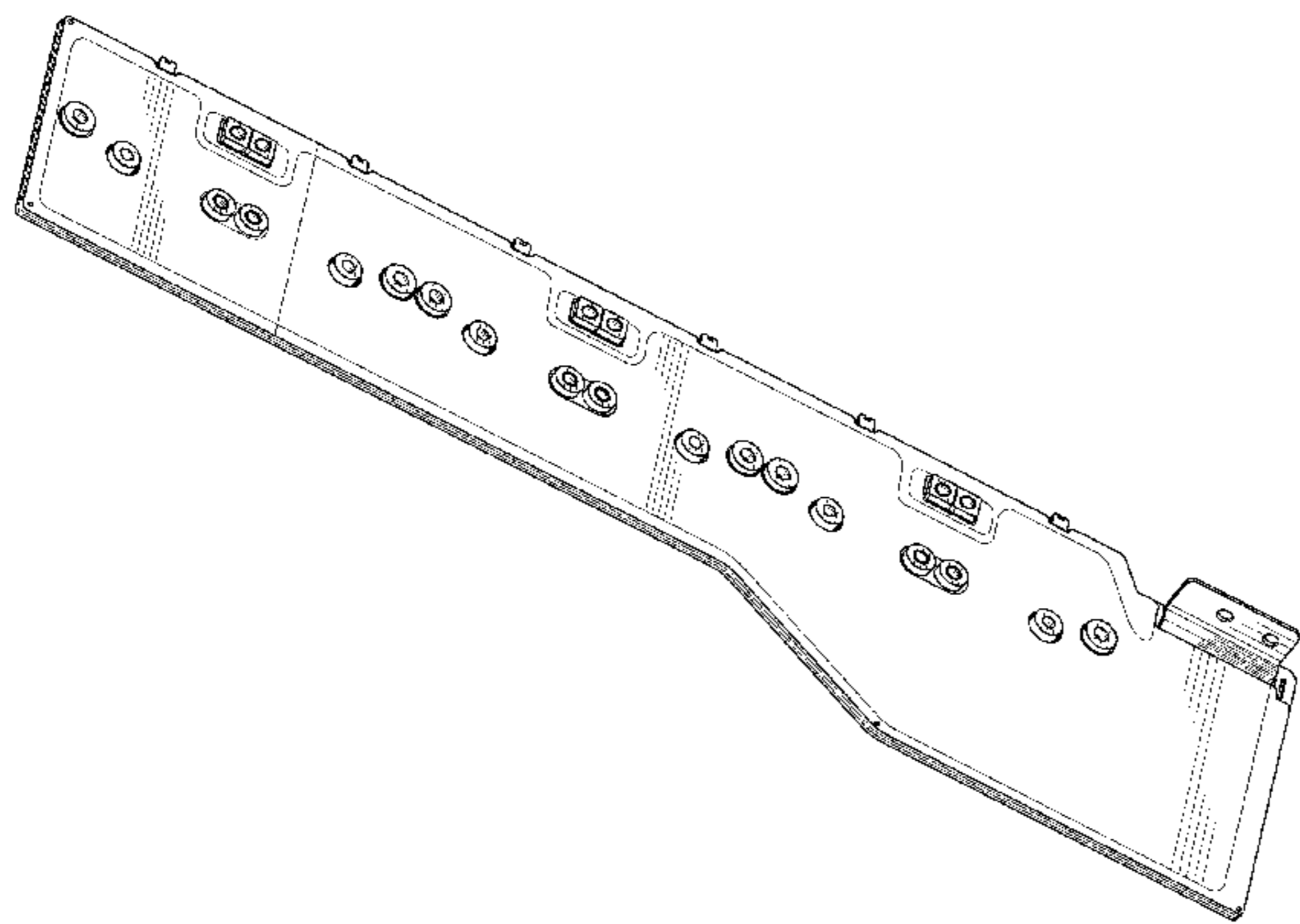
FIG. 5 is a side view thereof;

FIG. 6 is a top plan view thereof; and,

FIG. 7 is a bottom plan view thereof.

The broken line portion of the drawings is included to show unclaimed subject matter only and forms no part of the claimed design.

1 Claim, 5 Drawing Sheets



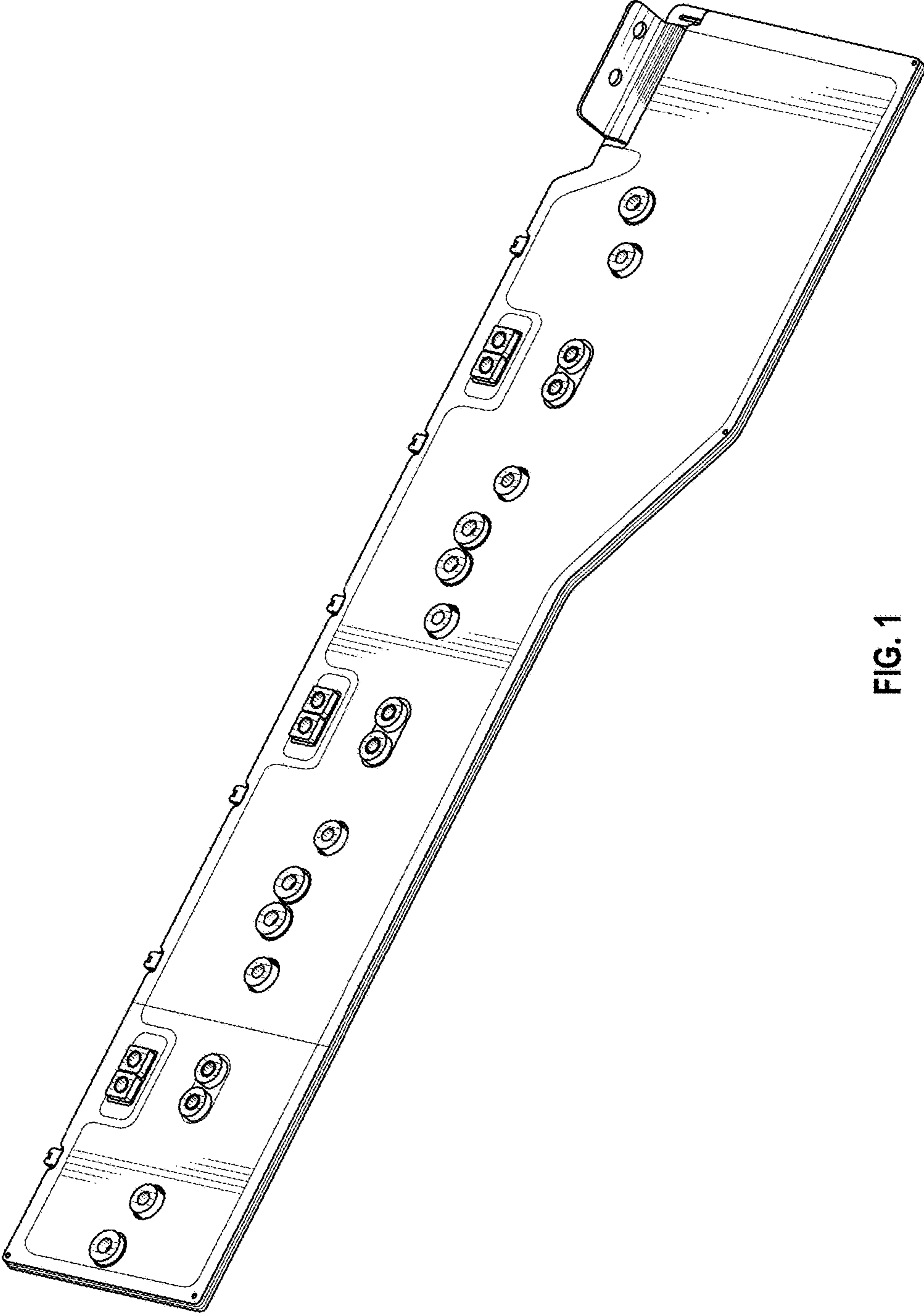


FIG. 1

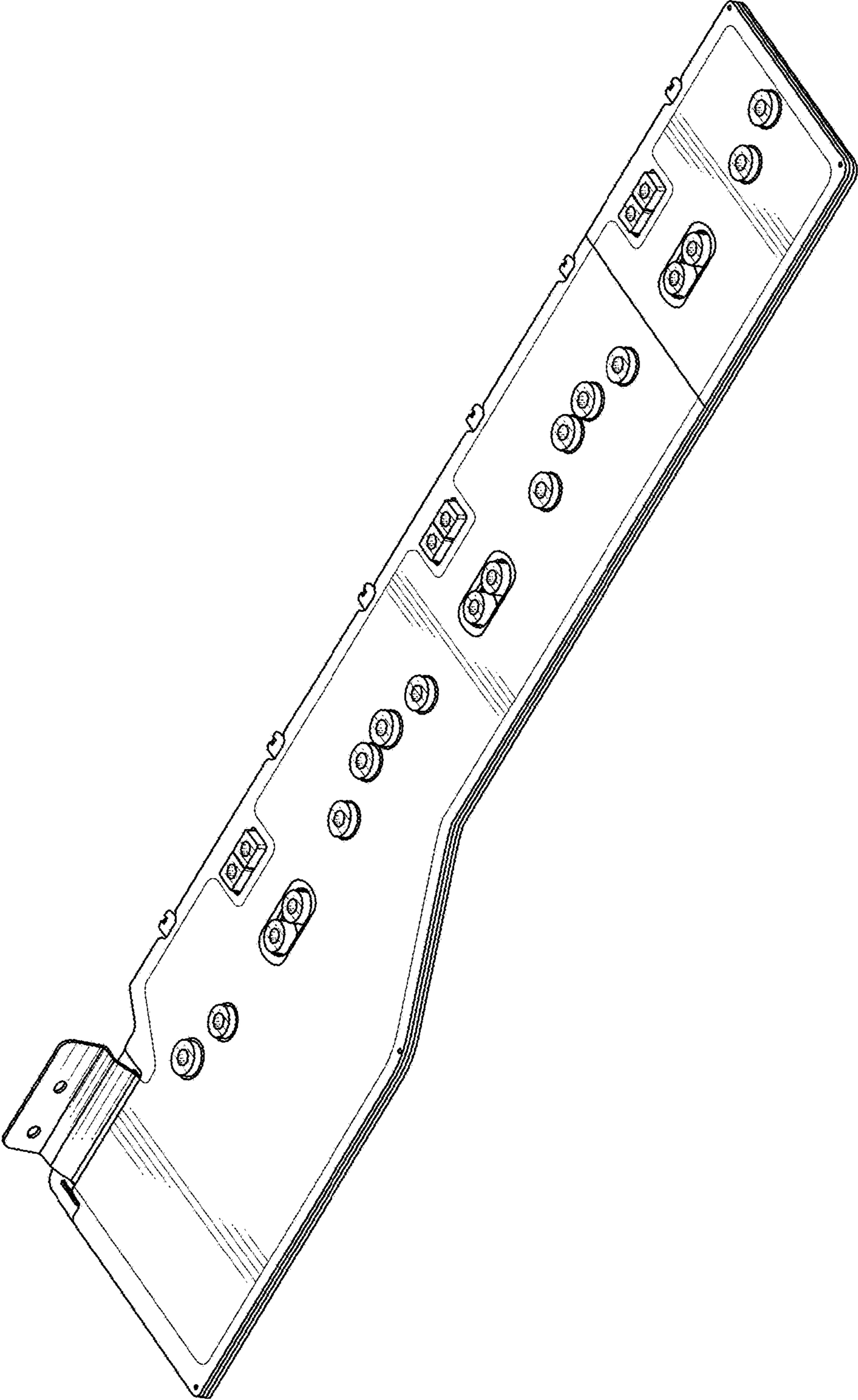


FIG. 2

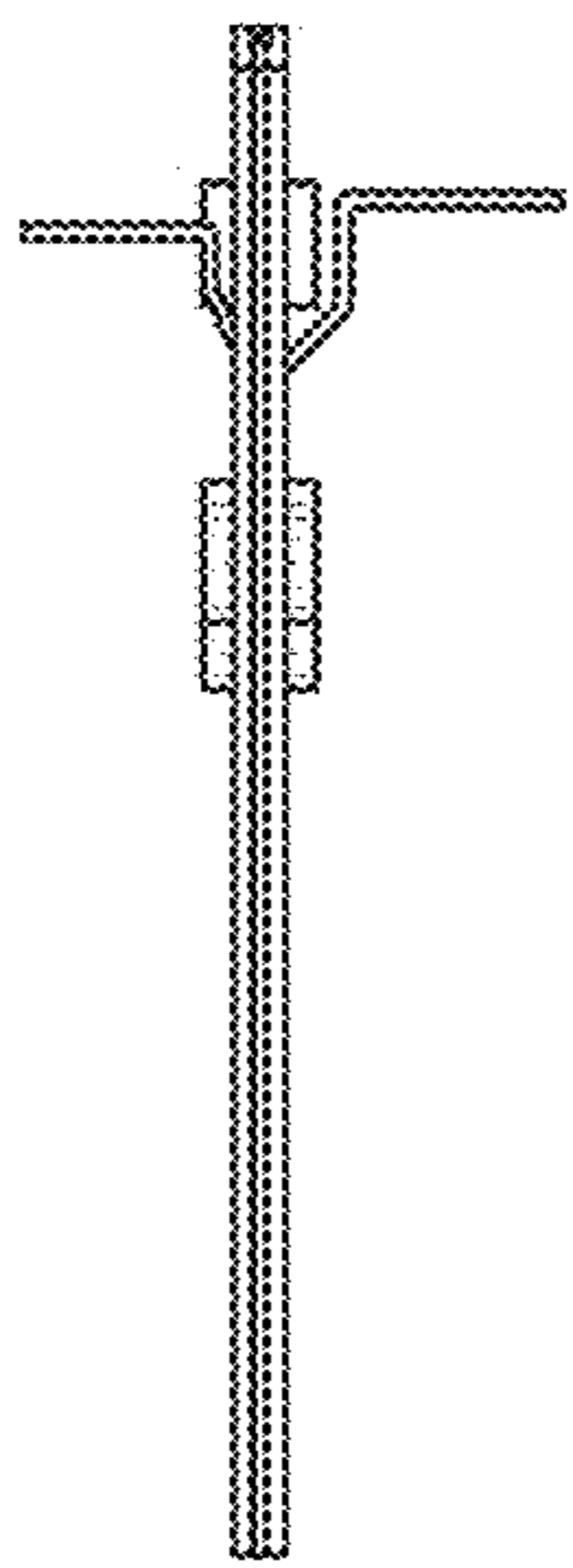


FIG. 3

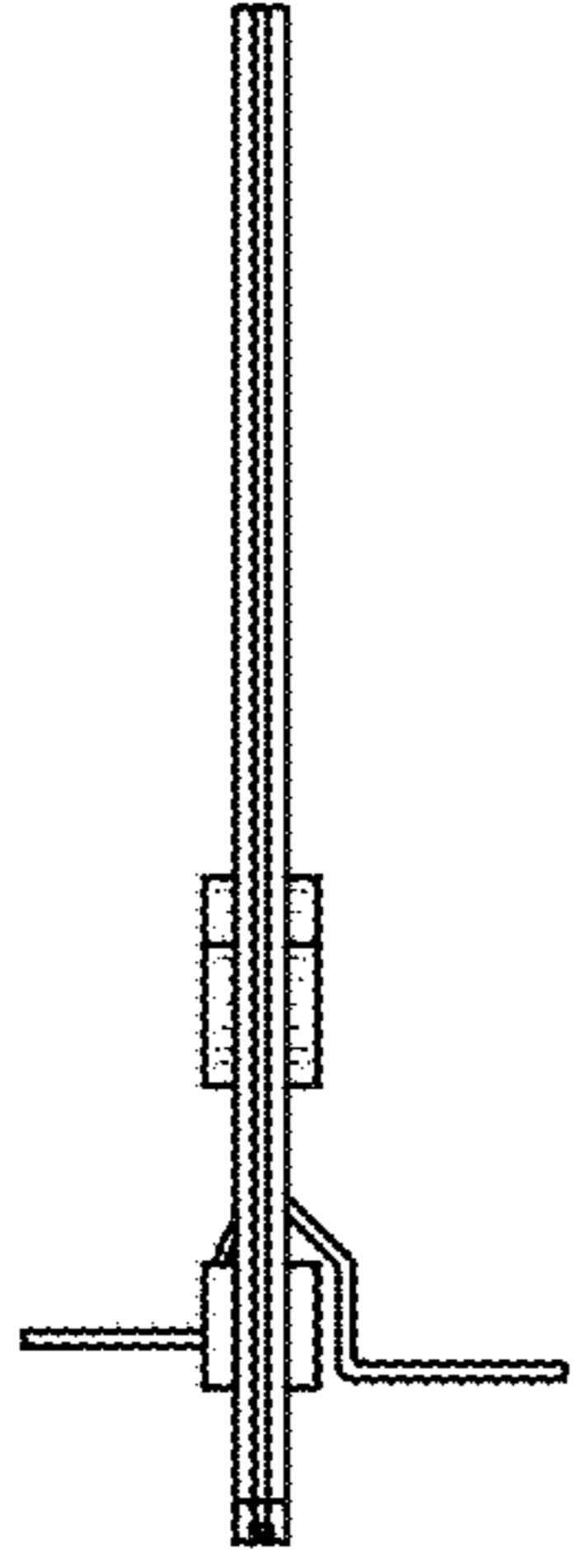


FIG. 4

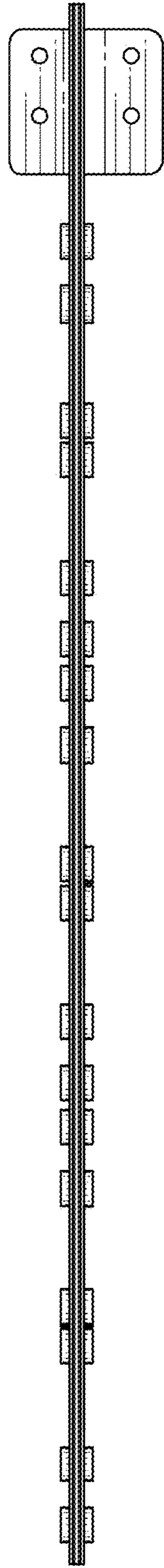


FIG. 5

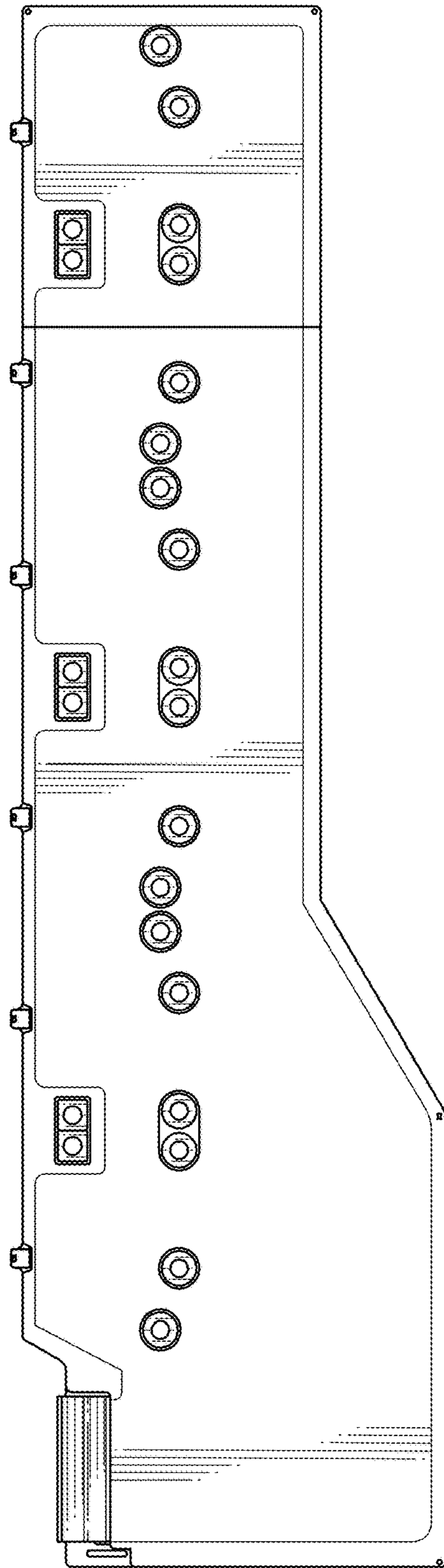


FIG. 6

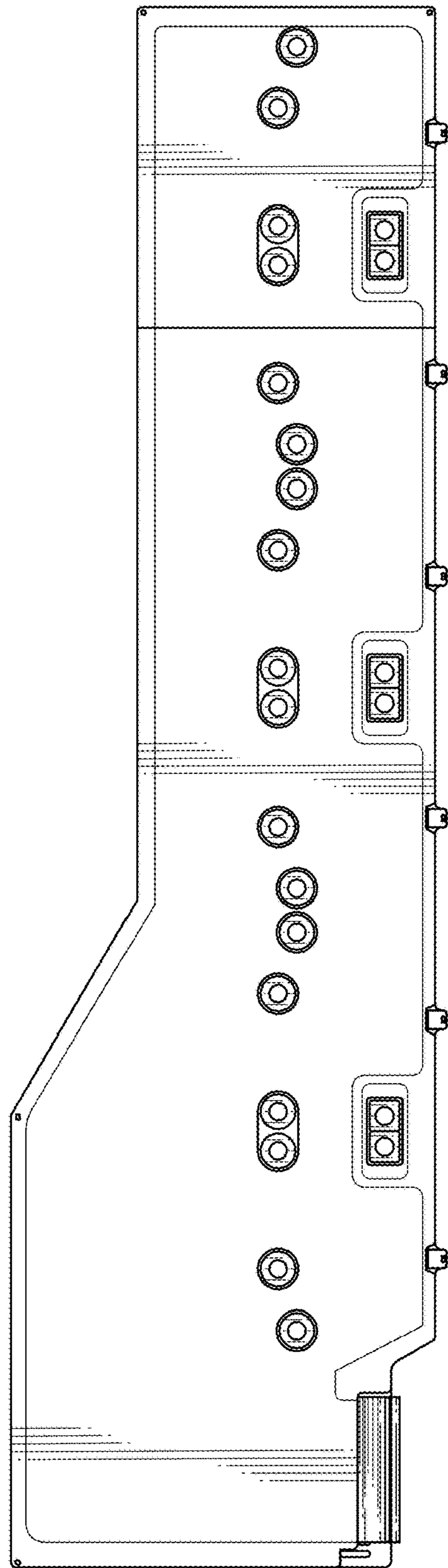


FIG. 7