



US00D834527S

(12) **United States Design Patent** (10) **Patent No.:** **US D834,527 S**  
**Richardson, Jr.** (45) **Date of Patent:** **\*\* Nov. 27, 2018**

(54) **ELECTRICAL CONDUCTOR CLAMP**

(71) Applicant: **Elaine M. Richardson**, Lexington, MA (US)

(72) Inventor: **Albert S. Richardson, Jr.**, Lexington, MA (US)

(73) Assignee: **AR Patents, LLC**, Lexington, MA (US)

(\*\*) Term: **15 Years**

(21) Appl. No.: **29/593,684**

(22) Filed: **Feb. 10, 2017**

(51) **LOC (11) Cl.** ..... **13-03**

(52) **U.S. Cl.**  
USPC ..... **D13/151**

(58) **Field of Classification Search**  
USPC ..... D13/151, 155, 156, 120, 121, 133, 154,  
D13/149, 150; D8/394, 396, 367, 372;  
D21/797

(Continued)

(56) **References Cited**

**U.S. PATENT DOCUMENTS**

1,488,347 A \* 3/1924 Johnson, Jr. .... H01R 11/15  
439/477  
1,500,499 A \* 7/1924 Johnson, Jr. .... H01R 11/15  
439/806

(Continued)

**OTHER PUBLICATIONS**

AR Products, "Solutions for Galloping and Vibration Control,"  
AR® Mod 2 Spacer Damper (2015).

(Continued)

*Primary Examiner* — Jennifer Rivard  
*Assistant Examiner* — Alison M Ofstun

(74) *Attorney, Agent, or Firm* — Hamilton, Brook, Smith & Reynolds, P.C.

(57) **CLAIM**

The ornamental design for an electrical conductor clamp, as shown and described.

**DESCRIPTION**

FIG. 1 is a top front perspective view of an electrical conductor clamp, showing the two components of my new design, assembled for clarity of disclosure.

FIG. 2 is a bottom rear perspective view thereof.

FIG. 3 is a front view thereof.

FIG. 4 is a rear view thereof.

FIG. 5 is a top view thereof.

FIG. 6 is a bottom view thereof.

FIG. 7 is a right side view thereof.

FIG. 8 is a left side view thereof.

FIG. 9 is a top plan view thereof, shown in an environment of use.

FIG. 10 is a top front perspective view of a first component of an electrical conductor clamp, shown separately for clarity of disclosure.

FIG. 11 is a rear bottom perspective view thereof.

FIG. 12 is a front view thereof.

FIG. 13 is a rear view thereof.

FIG. 14 is a top view thereof.

FIG. 15 is a bottom view thereof.

FIG. 16 is a right side view thereof.

FIG. 17 is a left side view thereof.

FIG. 18 is a top front perspective view of a second component of an electrical conductor clamp, shown separately for clarity of disclosure.

FIG. 19 is a rear bottom perspective view thereof.

FIG. 20 is a front view thereof.

FIG. 21 is a rear view thereof.

FIG. 22 is a top view thereof.

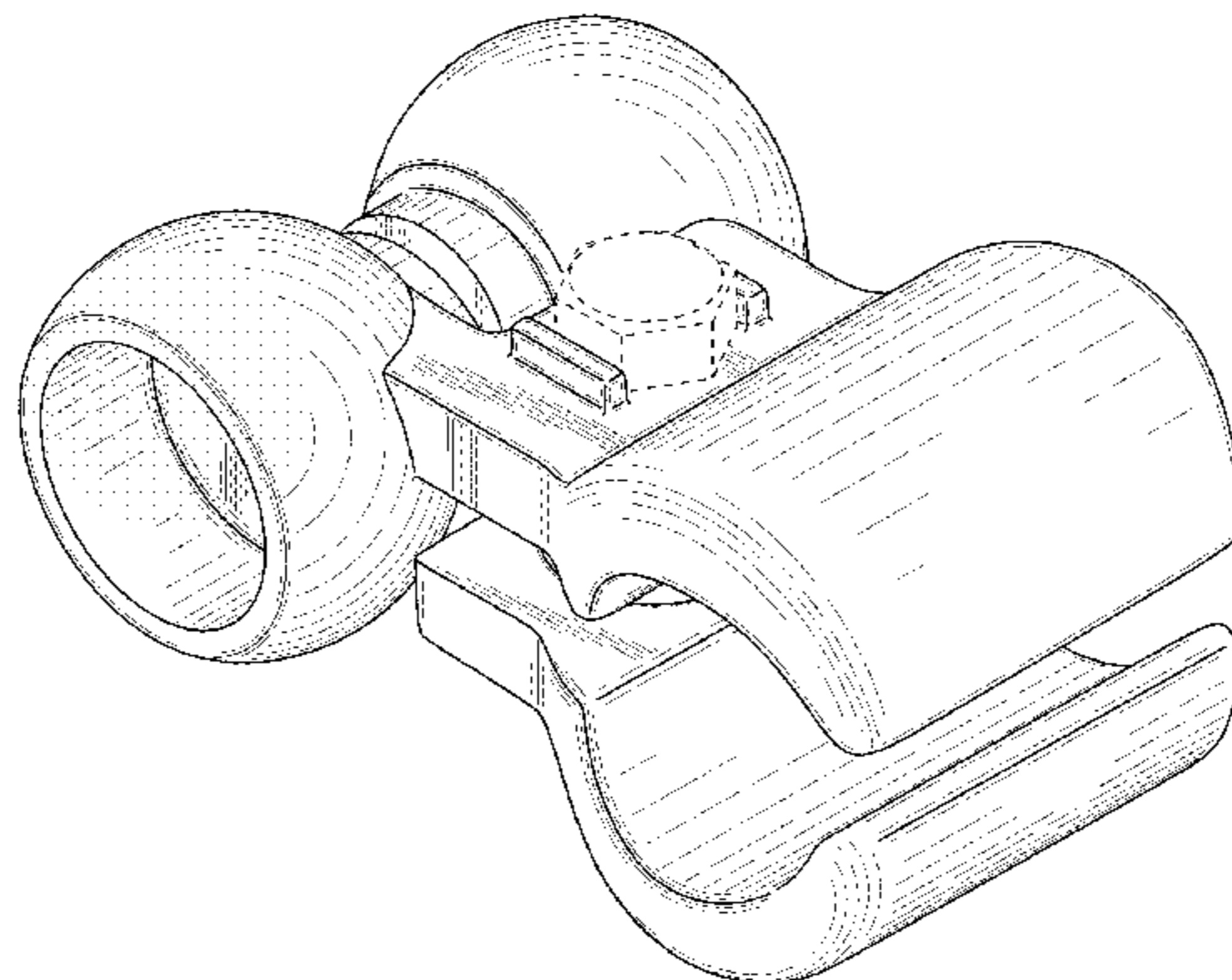
FIG. 23 is a bottom view thereof.

FIG. 24 is a right side view thereof; and,

FIG. 25 is a left side view thereof.

The broken lines are shown for the purpose of illustrating environmental subject matter of an exemplary spacer

(Continued)



damper device and an exemplary electrical conductor clamp, as well as parts of the article, none of which form part of the claimed design.

The electrical conductor clamp in the present invention includes two clamp halves. Each clamp half has a wide rounded corona ring or doughnut with a laterally arched or crowned outer surface or periphery, integrally formed with the clamp half at the rear of the clamp half at a laterally and elevationally offset position.

**1 Claim, 19 Drawing Sheets**

**(58) Field of Classification Search**

CPC .. H01R 13/52; H01R 13/523; H01R 13/5205; H01R 13/521; H02G 7/125; H02G 11/003; Y10T 29/49826; F16L 3/13; F16L 3/26; D06F 55/00

See application file for complete search history.

**(56) References Cited**

U.S. PATENT DOCUMENTS

2,905,993 A \* 9/1959 Wernsing ..... B66C 1/14  
294/82.14  
2,973,212 A \* 2/1961 Rose ..... H02G 3/0683  
174/51

3,022,370 A \* 2/1962 Osborn ..... H01R 4/186  
174/71 R  
D270,748 S \* 9/1983 Bechtel ..... D22/110  
D353,578 S \* 12/1994 Johnson ..... D13/154  
5,642,557 A \* 7/1997 Clews ..... E04B 2/7442  
24/298  
5,721,393 A 2/1998 Richardson, Jr.  
D394,096 S \* 5/1998 Edgar ..... D22/108  
6,008,453 A 12/1999 Richardson, Jr.  
D658,045 S \* 4/2012 Tabler ..... D8/382  
D660,690 S \* 5/2012 Mixides ..... D8/396  
2007/0137087 A1 \* 6/2007 Florea ..... F41G 11/004  
42/90  
2008/0256761 A1 \* 10/2008 Bukoski ..... F16L 3/237  
24/129 R

OTHER PUBLICATIONS

“Photograph of prior art AR® Mod Spacer Damper #1 with prior art clamp/clamp half (at least by 2015), in comparison with #2 present invention clamp/clamp half.”

\* cited by examiner

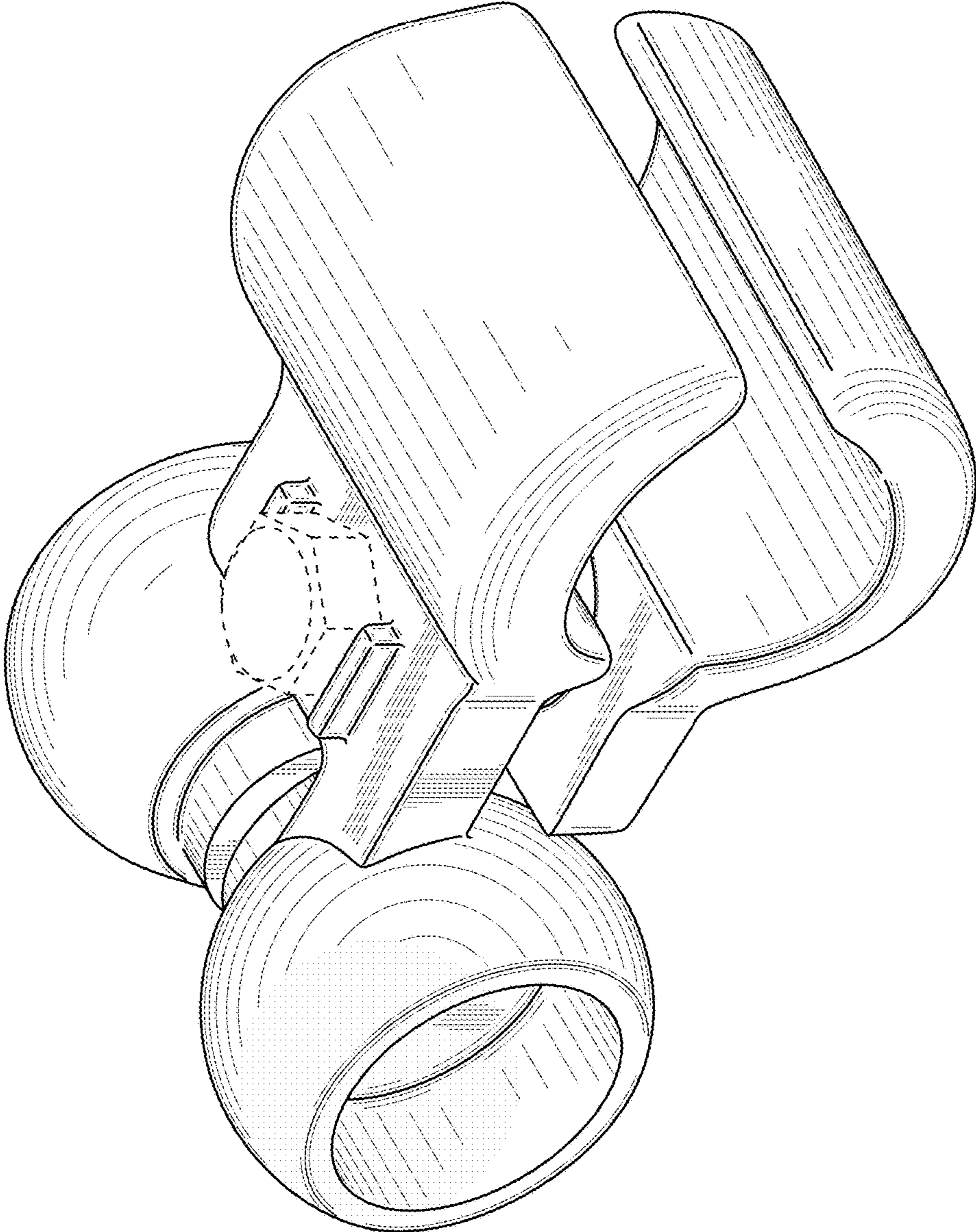


FIG. 1

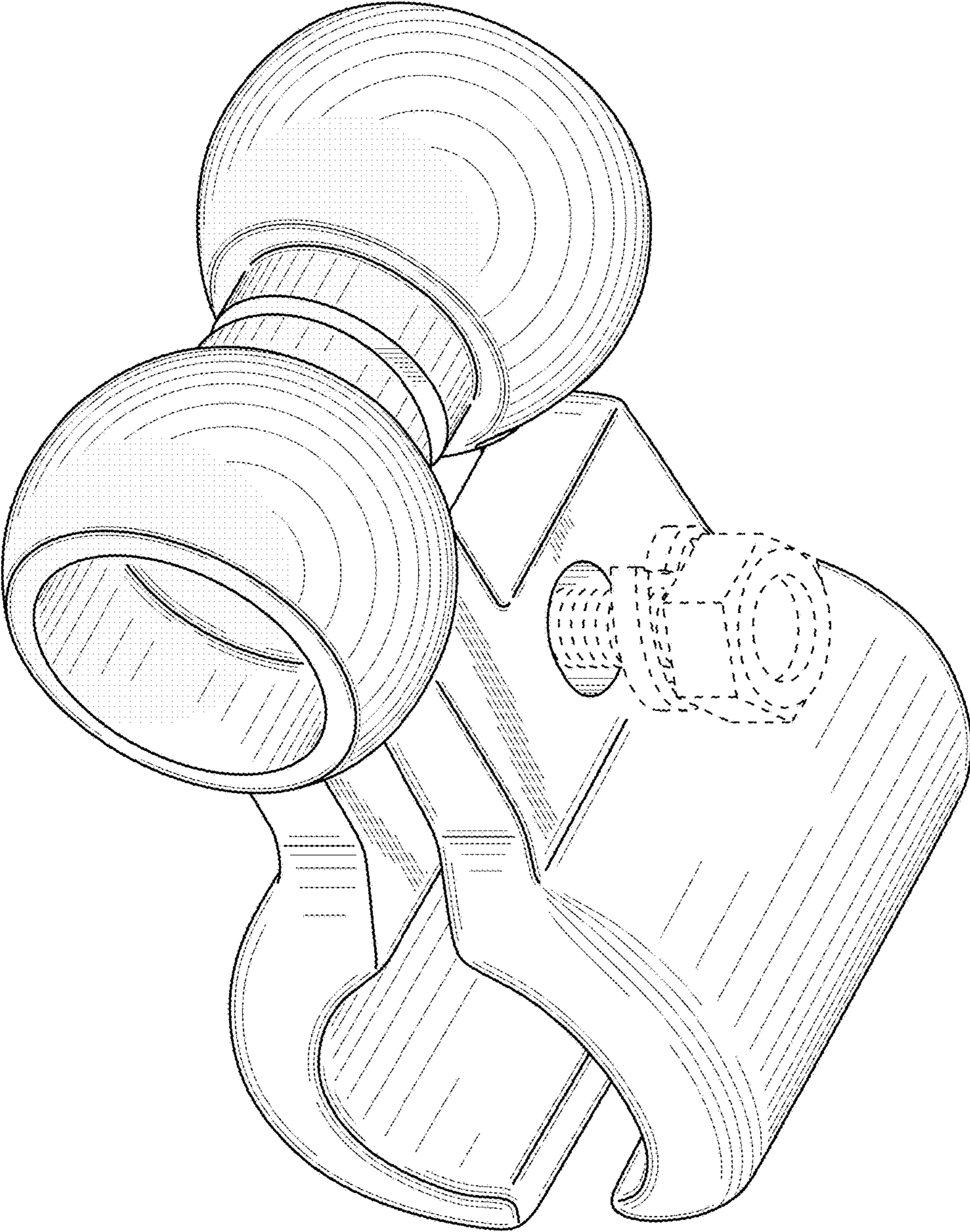


FIG. 2

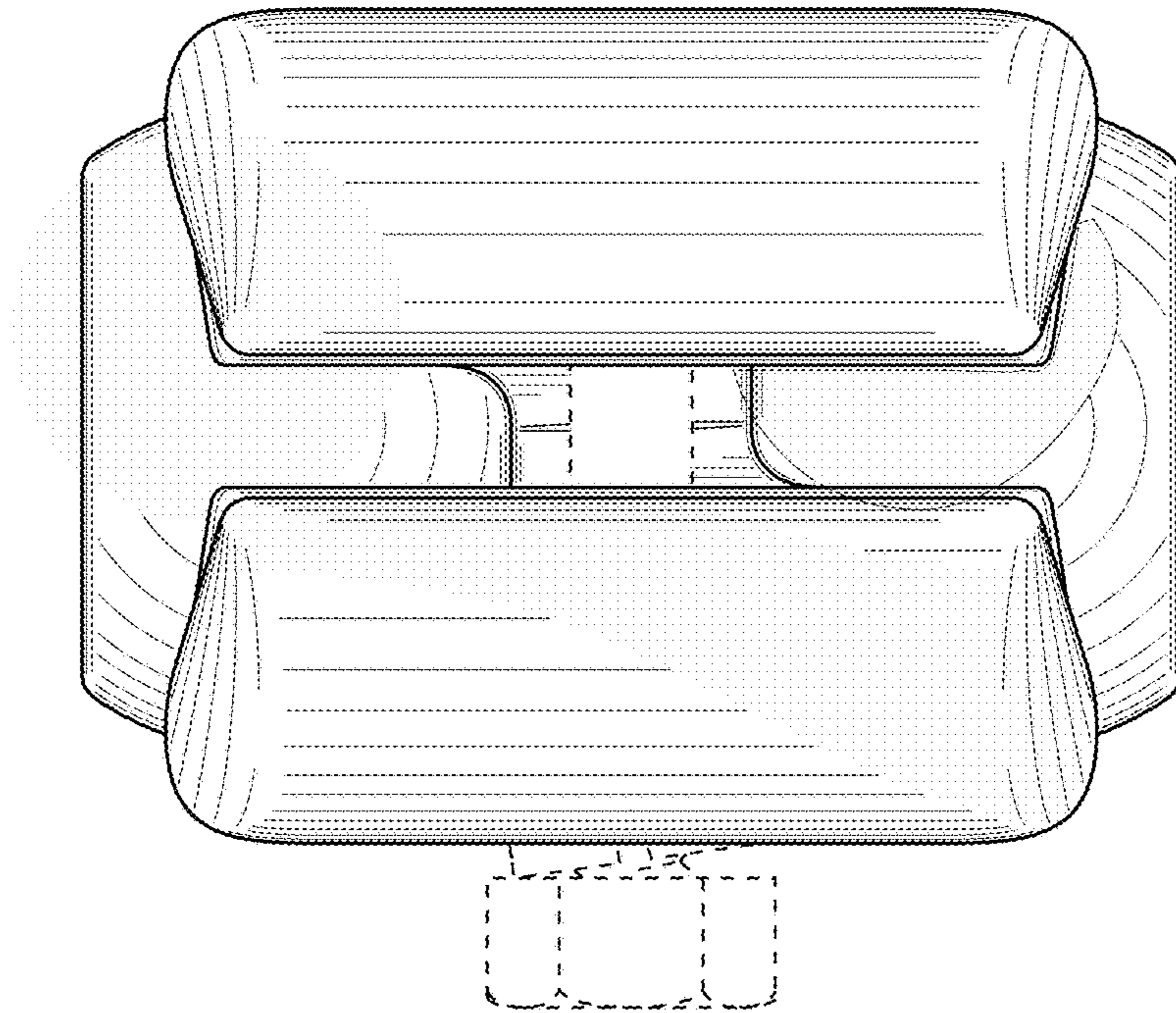


FIG. 3

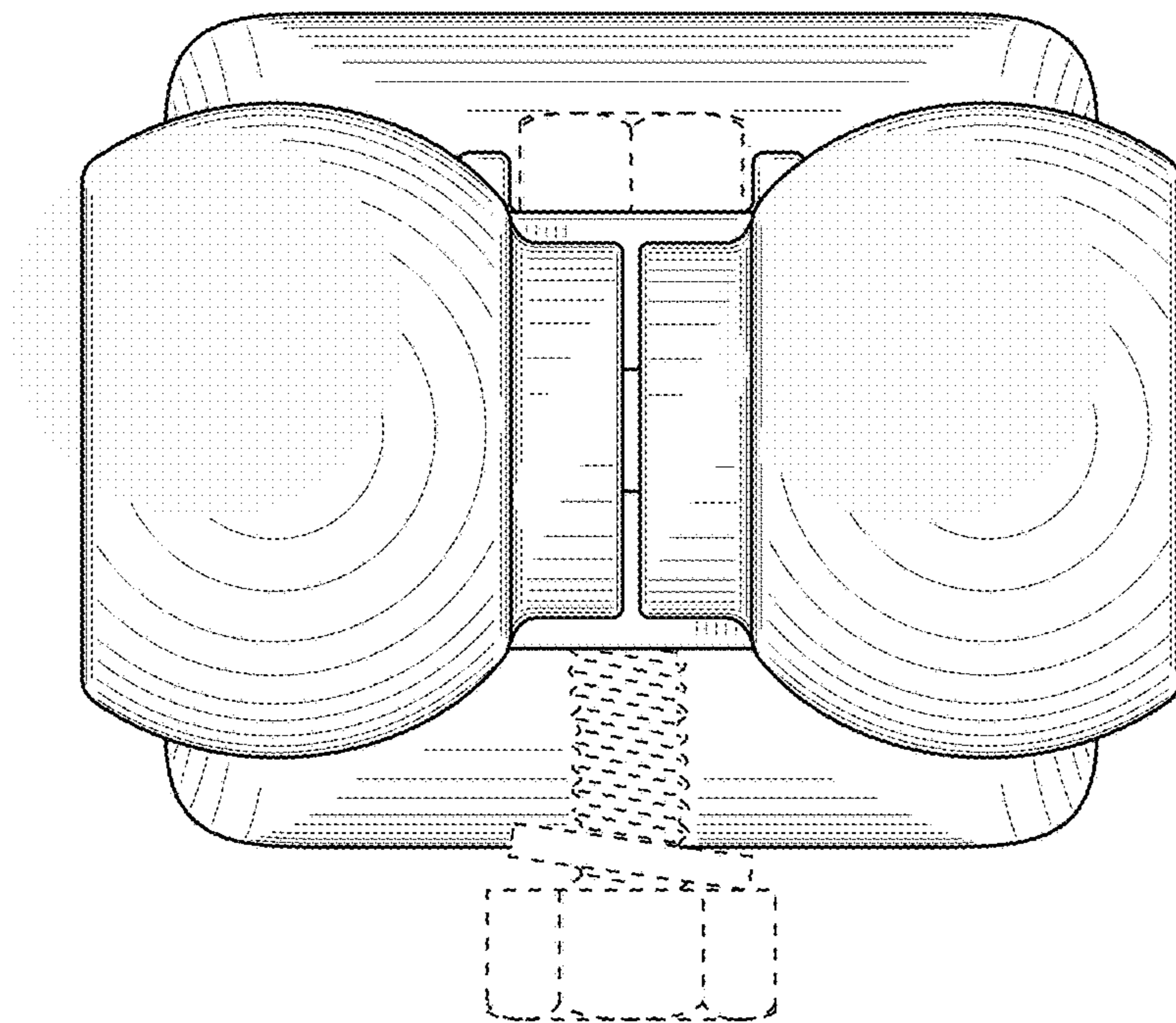


FIG. 4

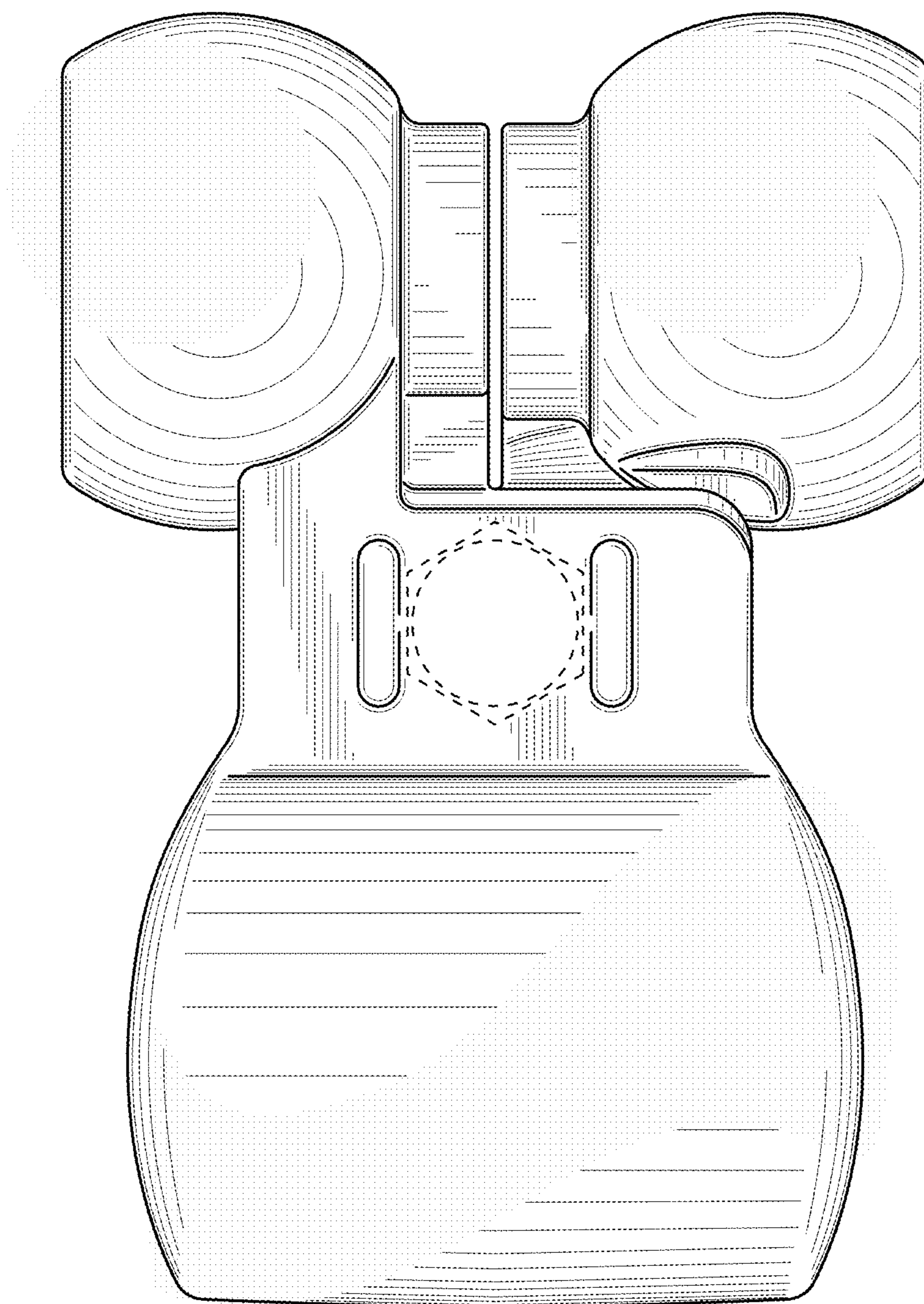


FIG. 5

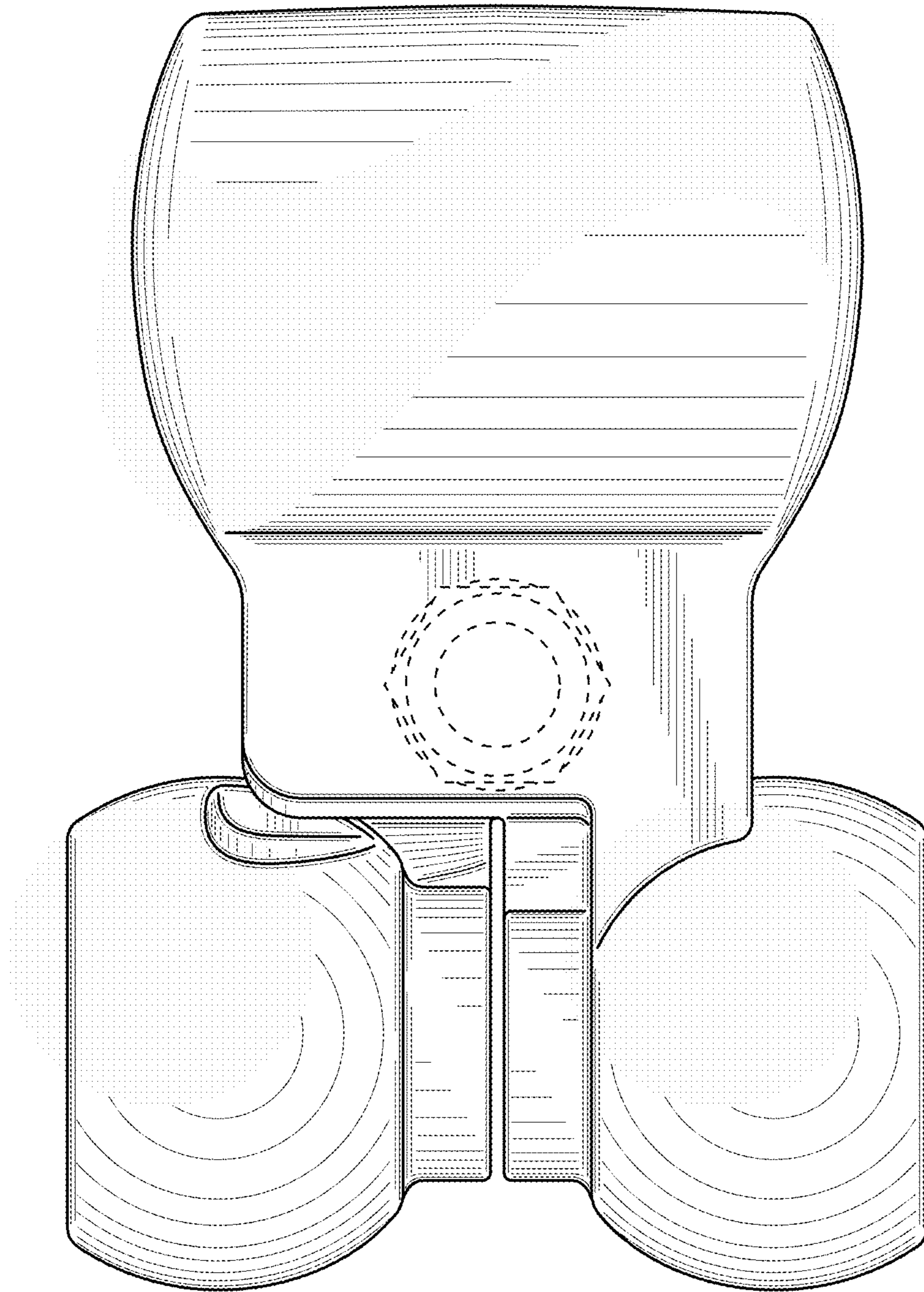


FIG. 6

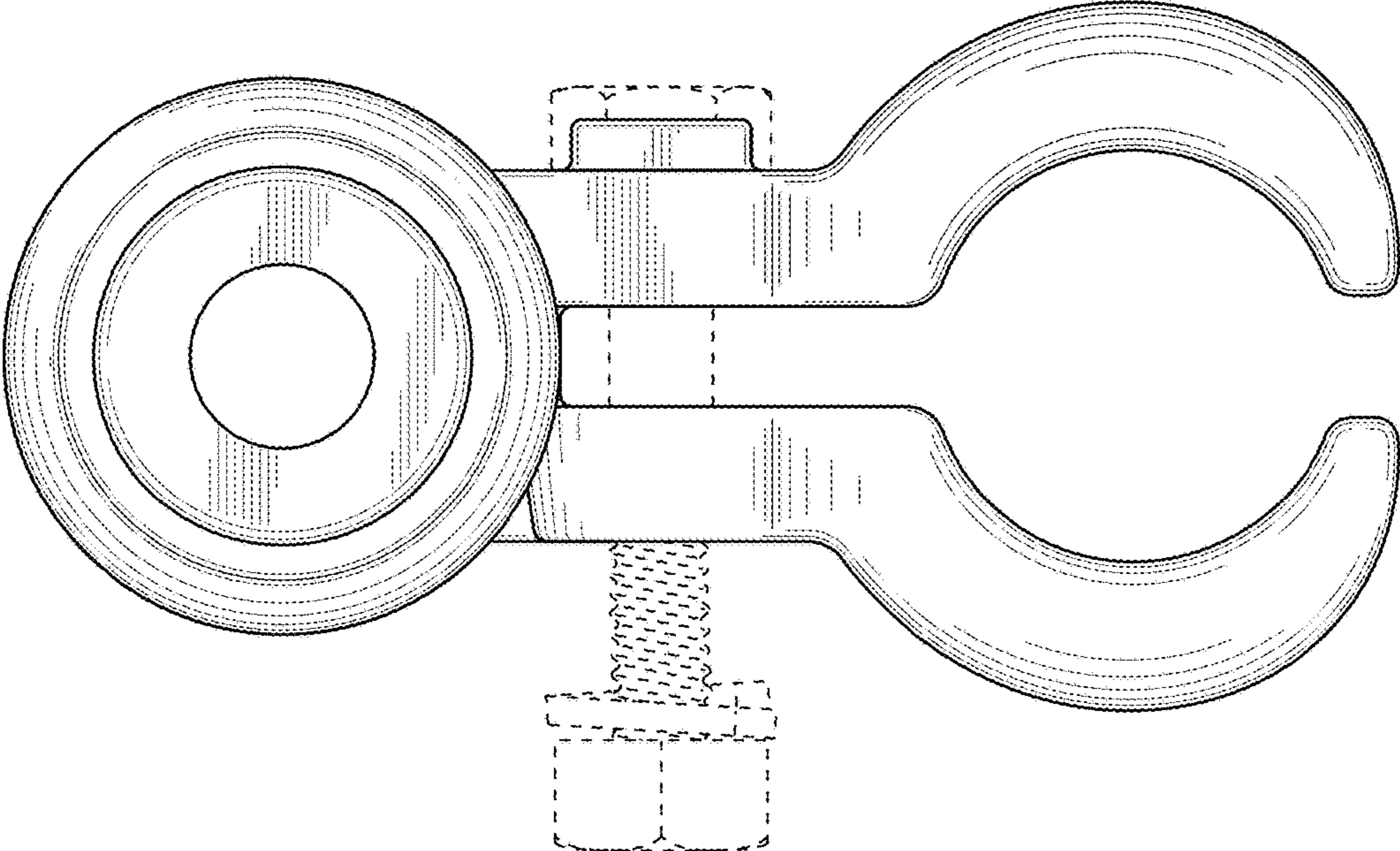


FIG. 7

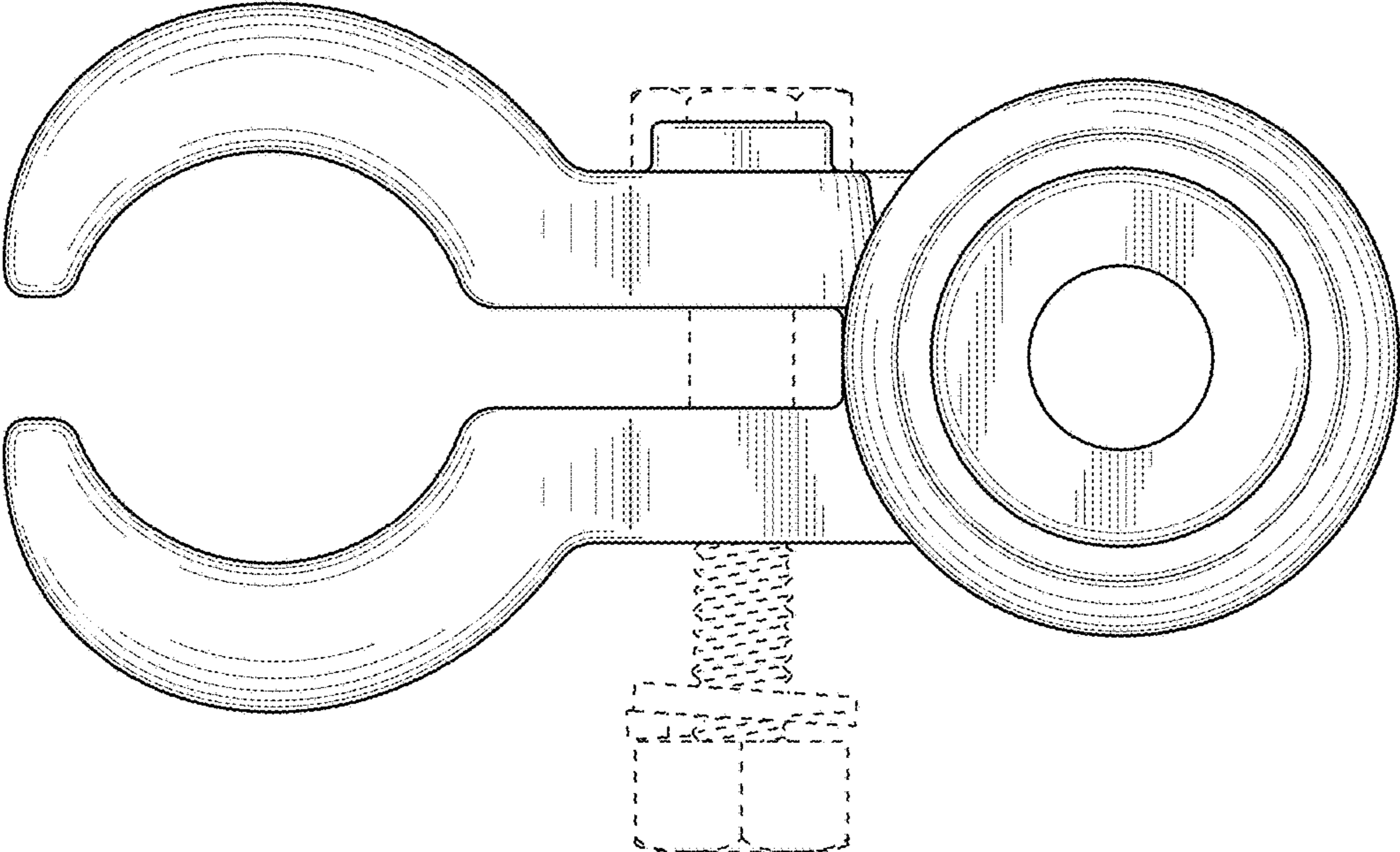


FIG. 8



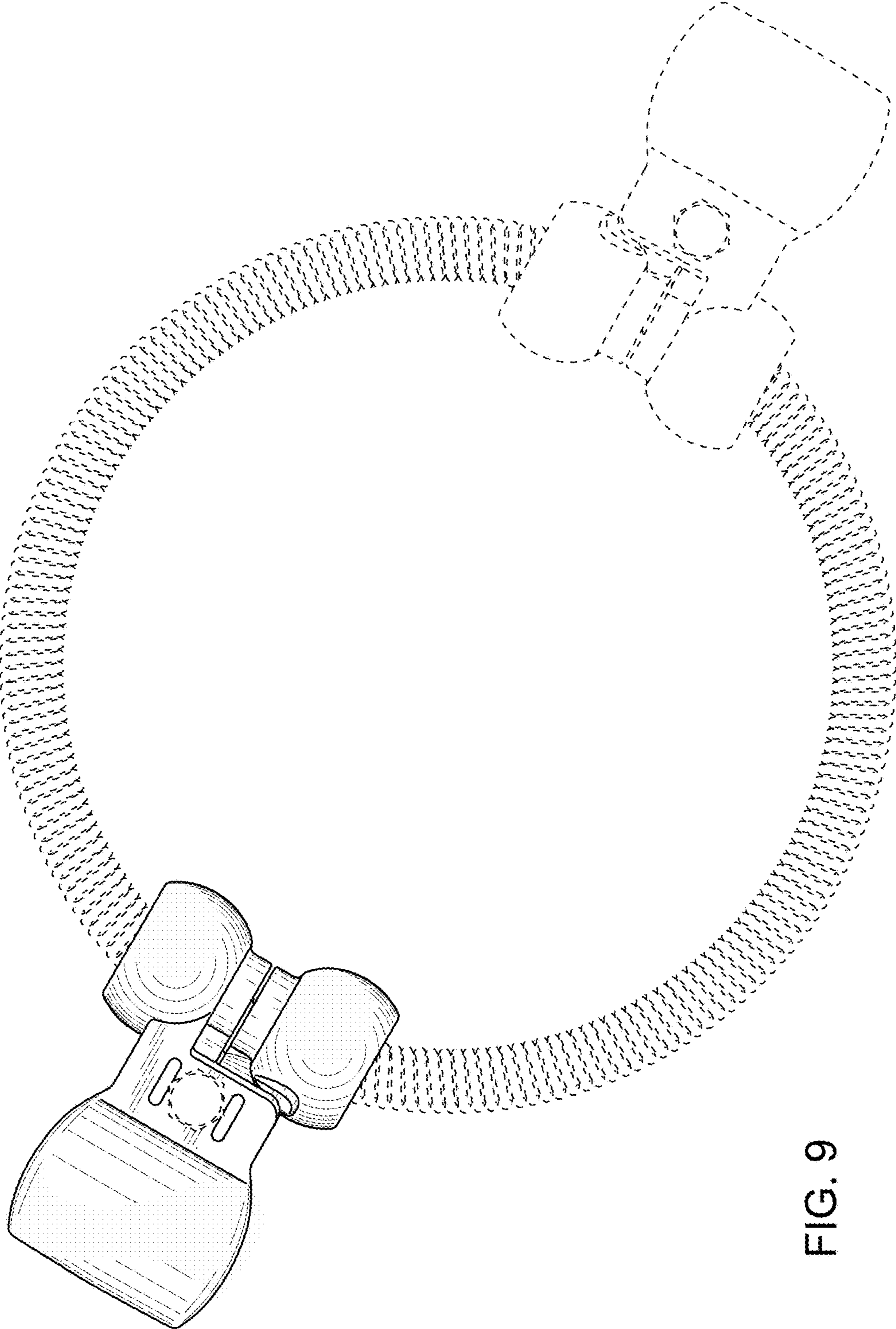


FIG. 9

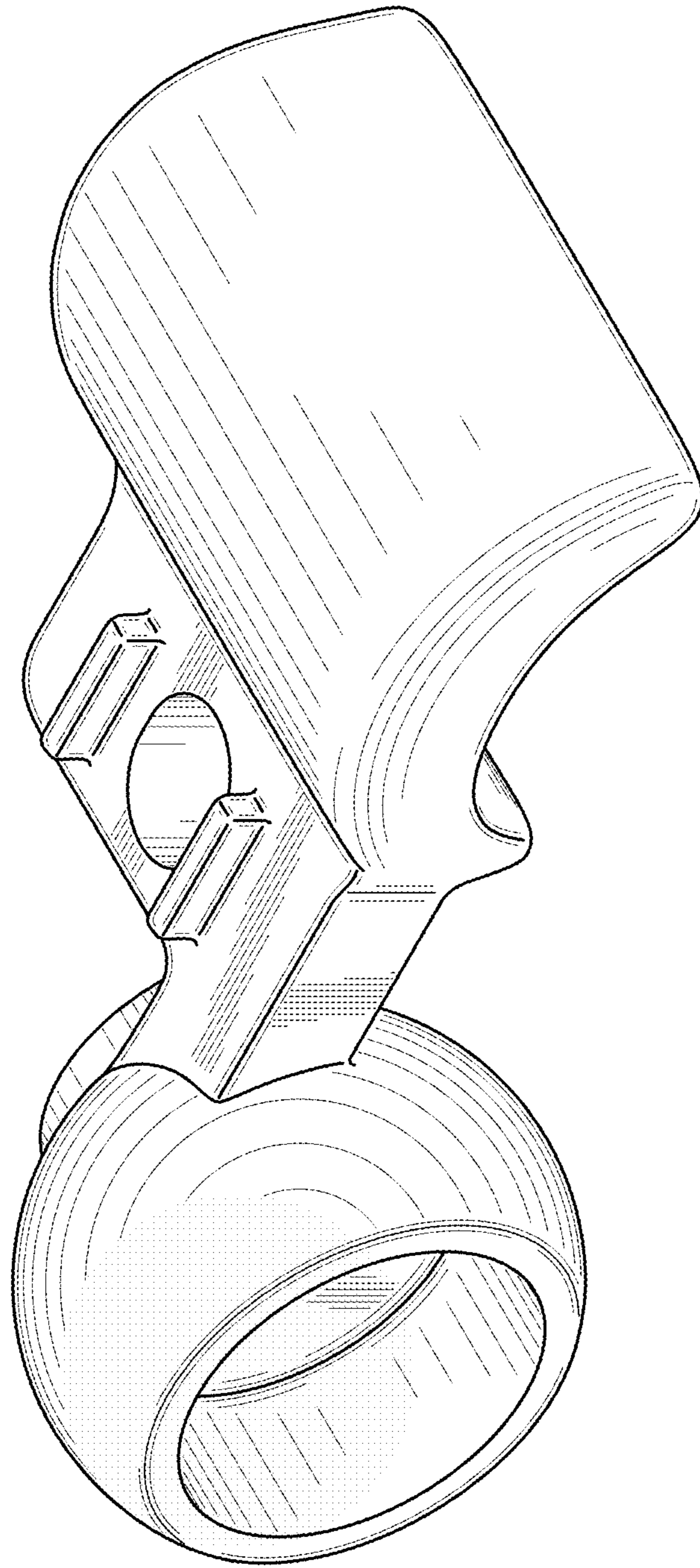


FIG. 10

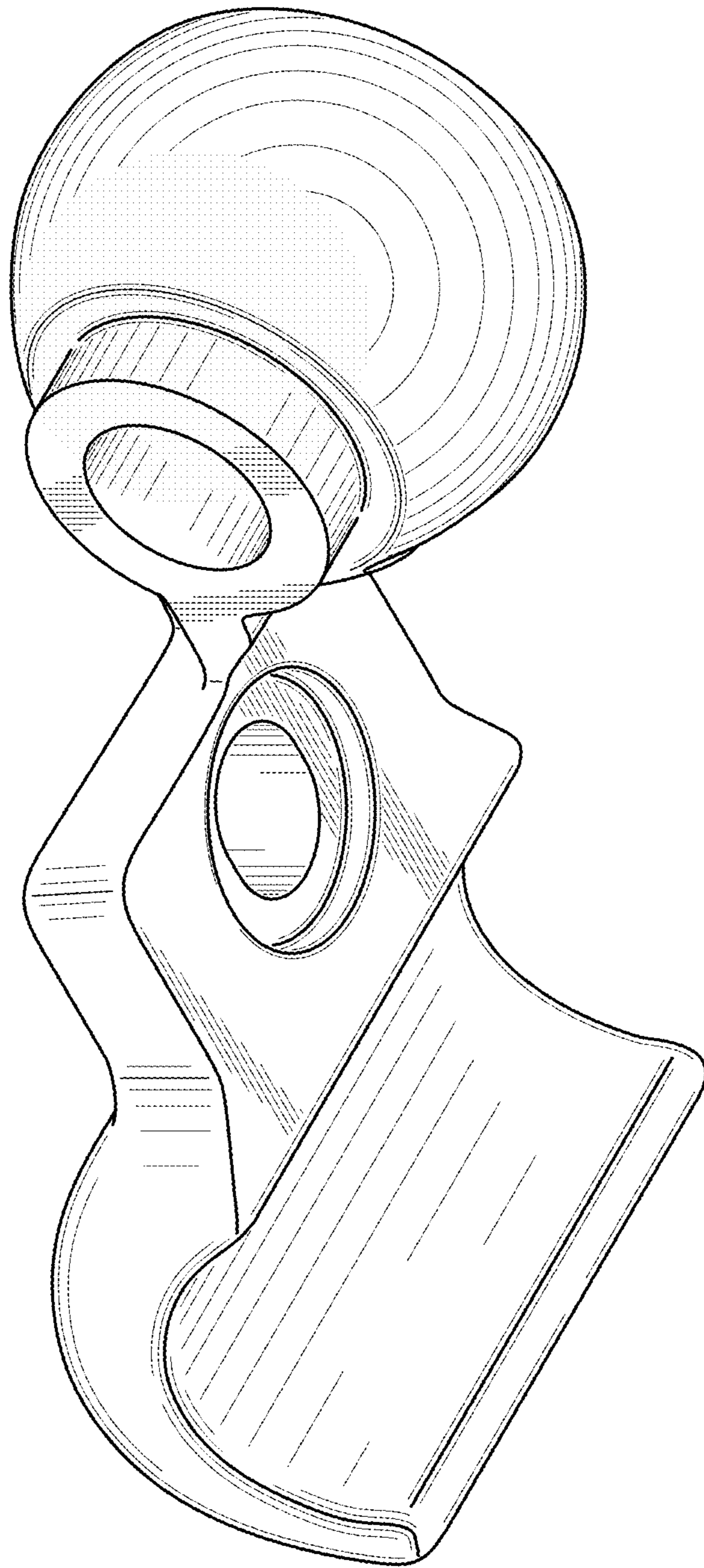


FIG. 11

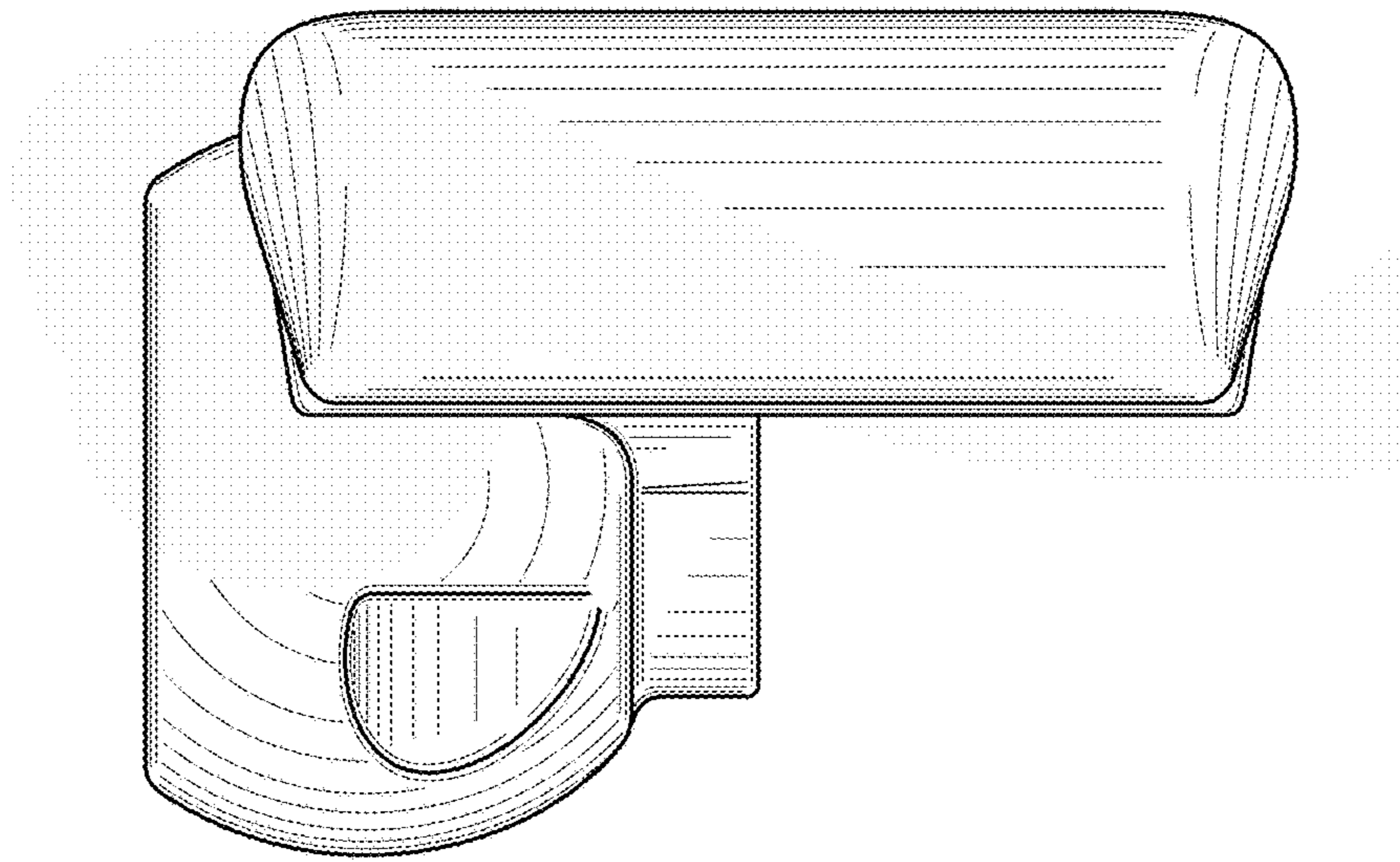


FIG. 12

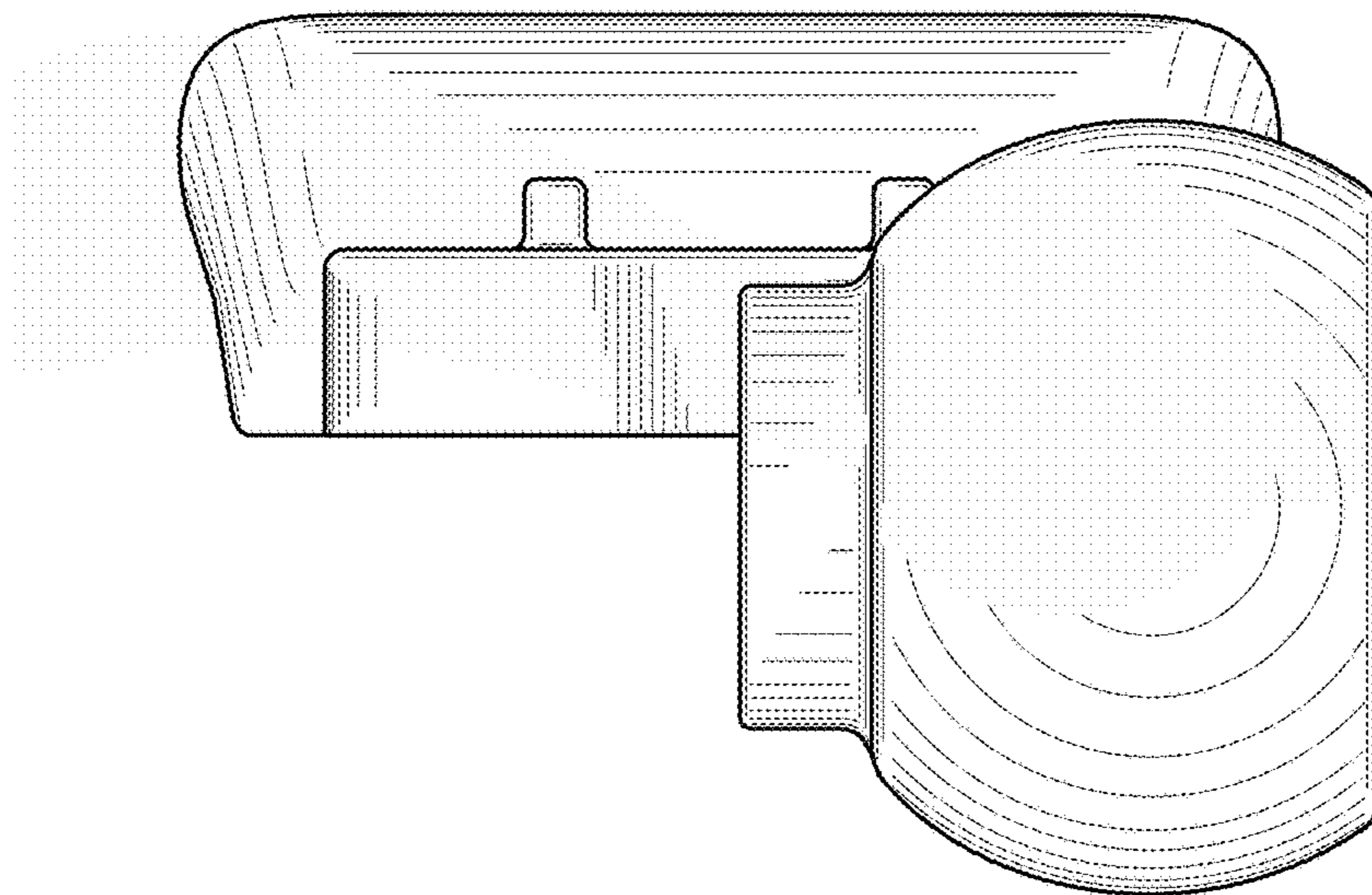


FIG. 13

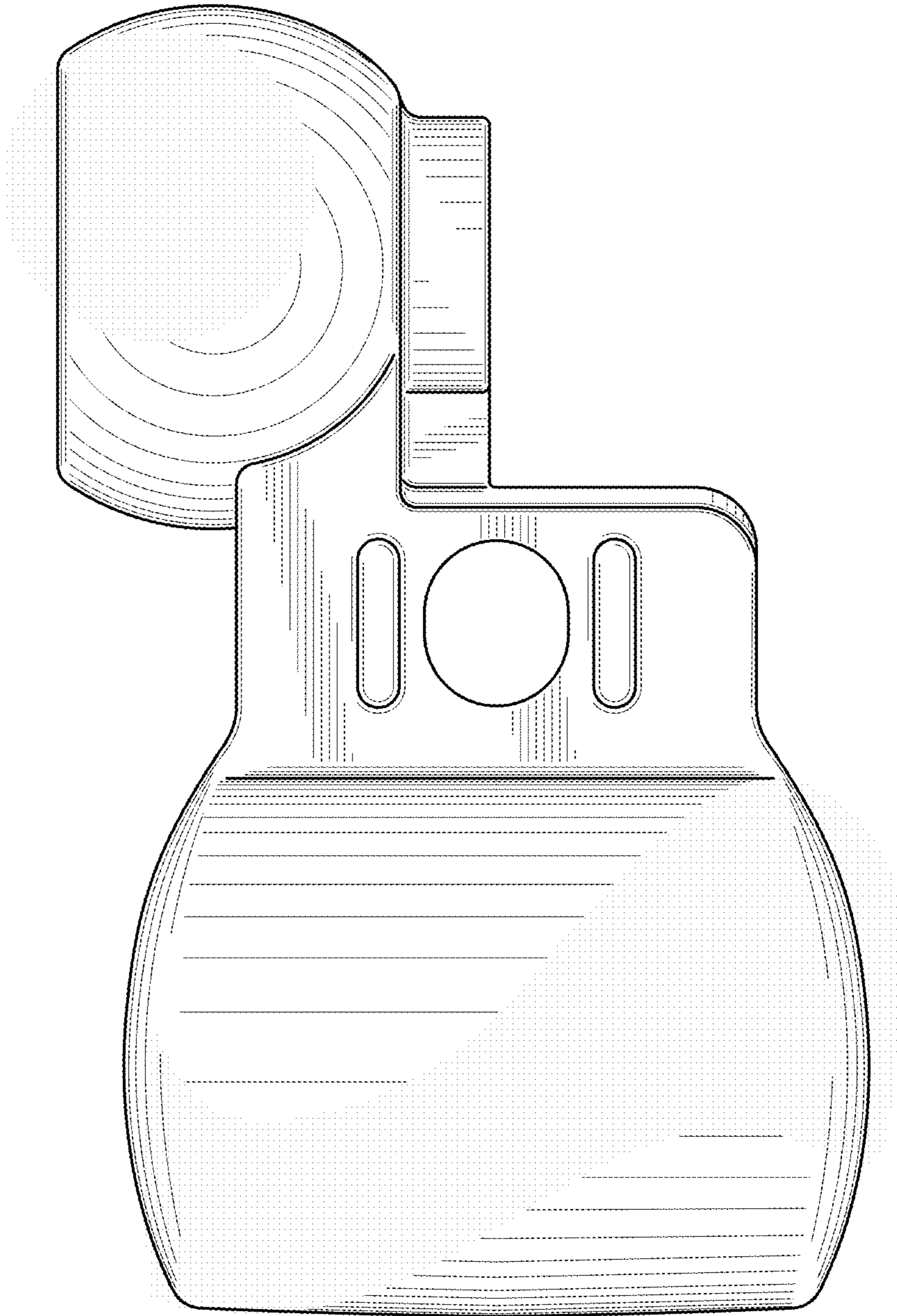


FIG. 14

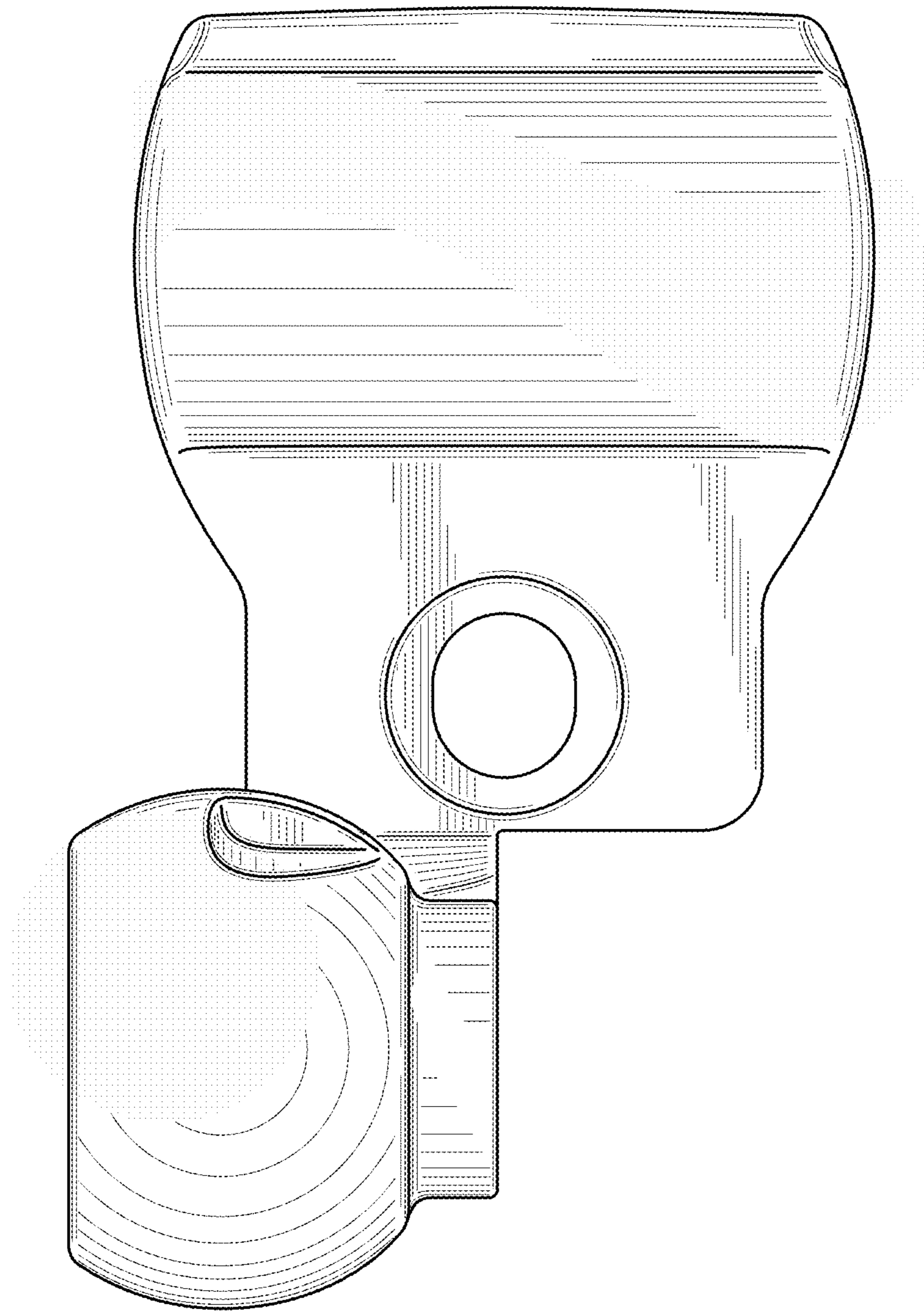


FIG. 15

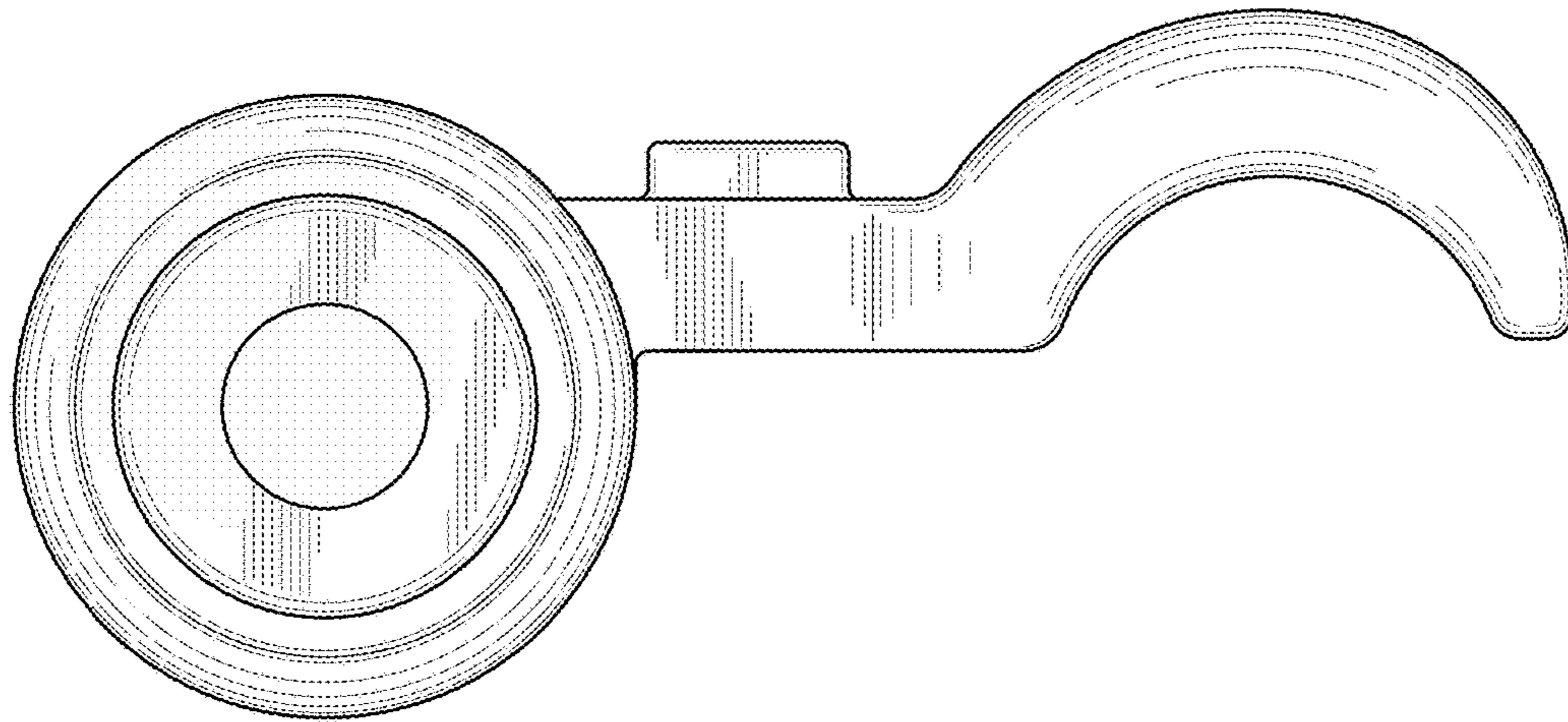


FIG. 16

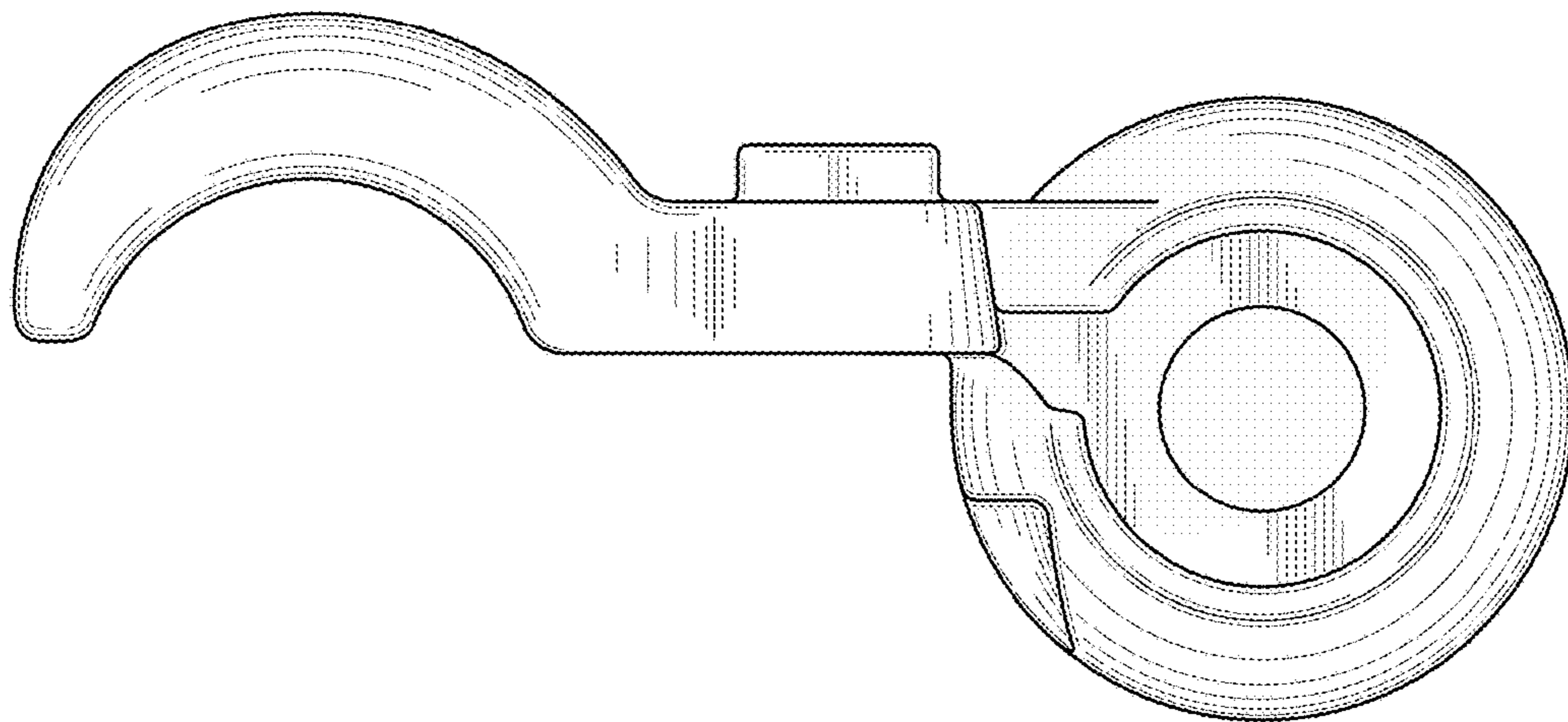


FIG. 17

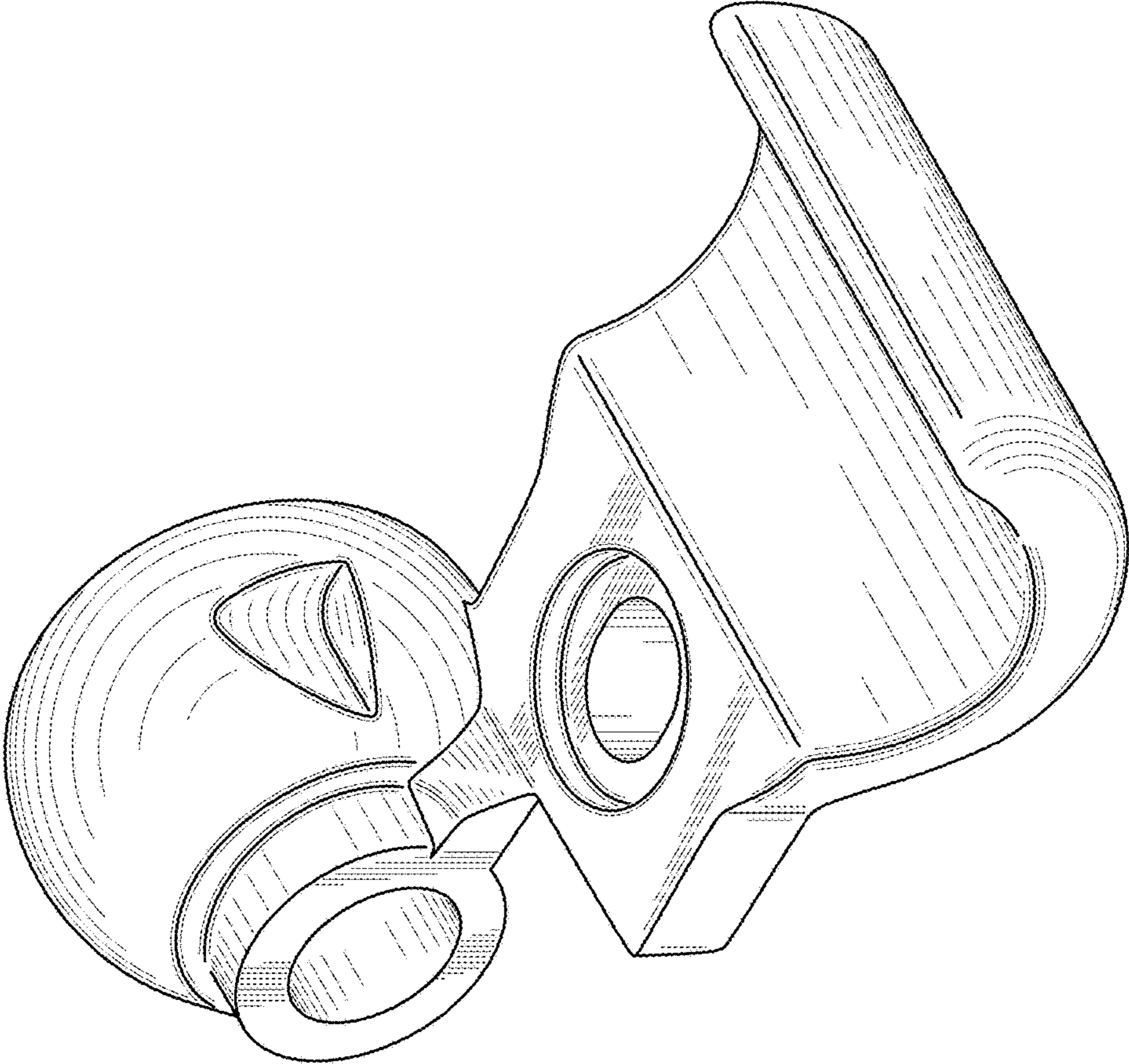


FIG. 18



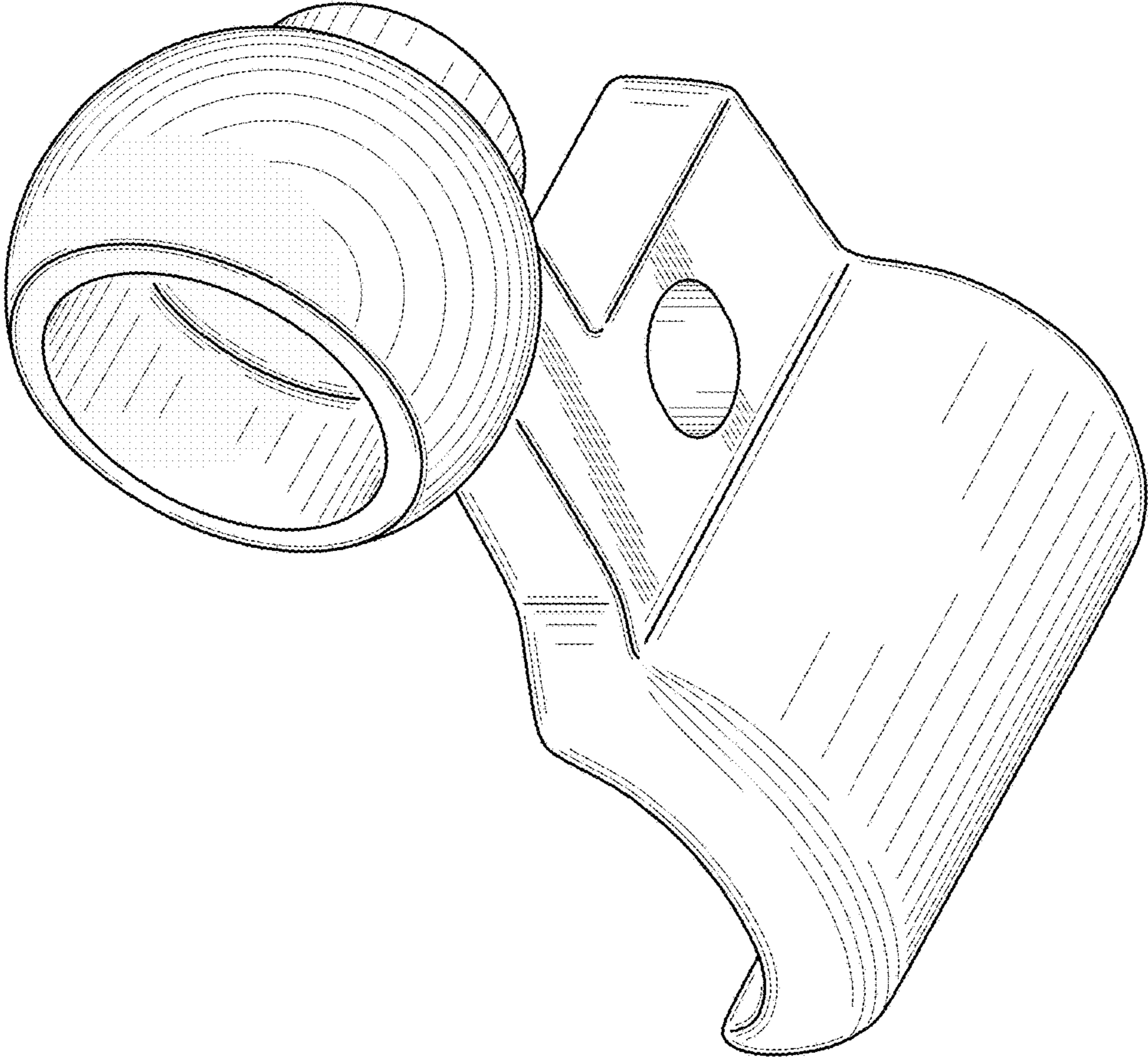


FIG. 19

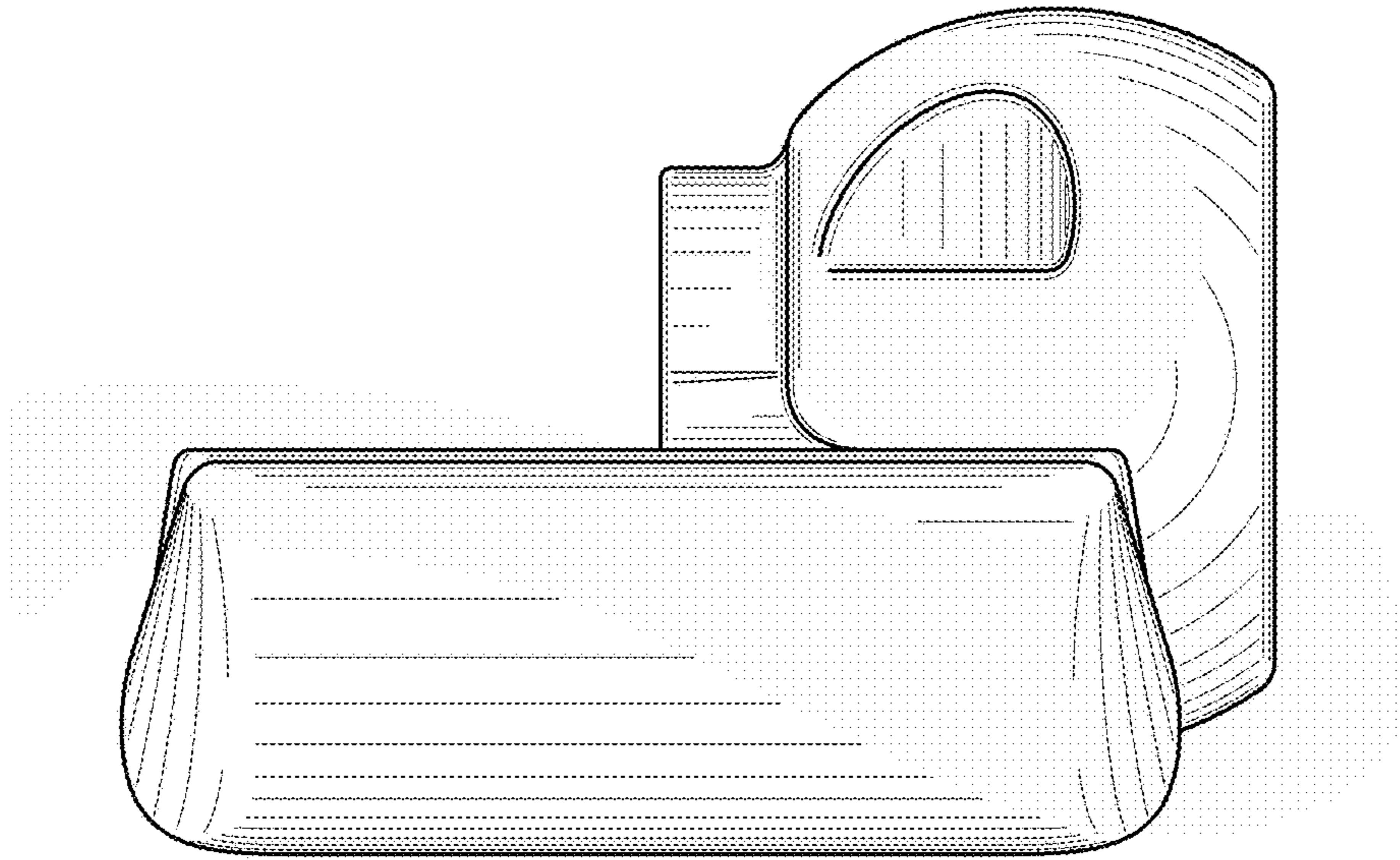


FIG. 20

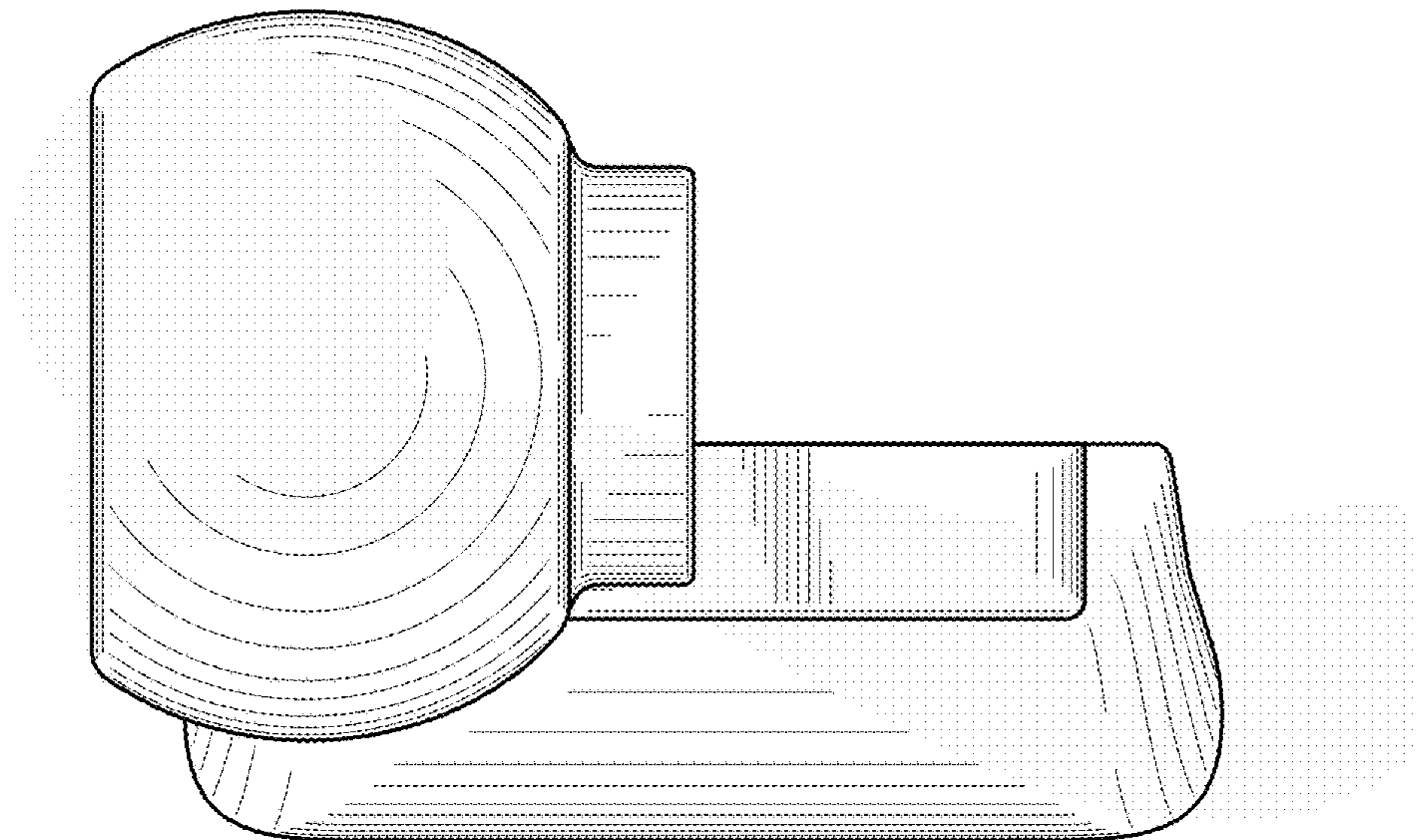


FIG. 21

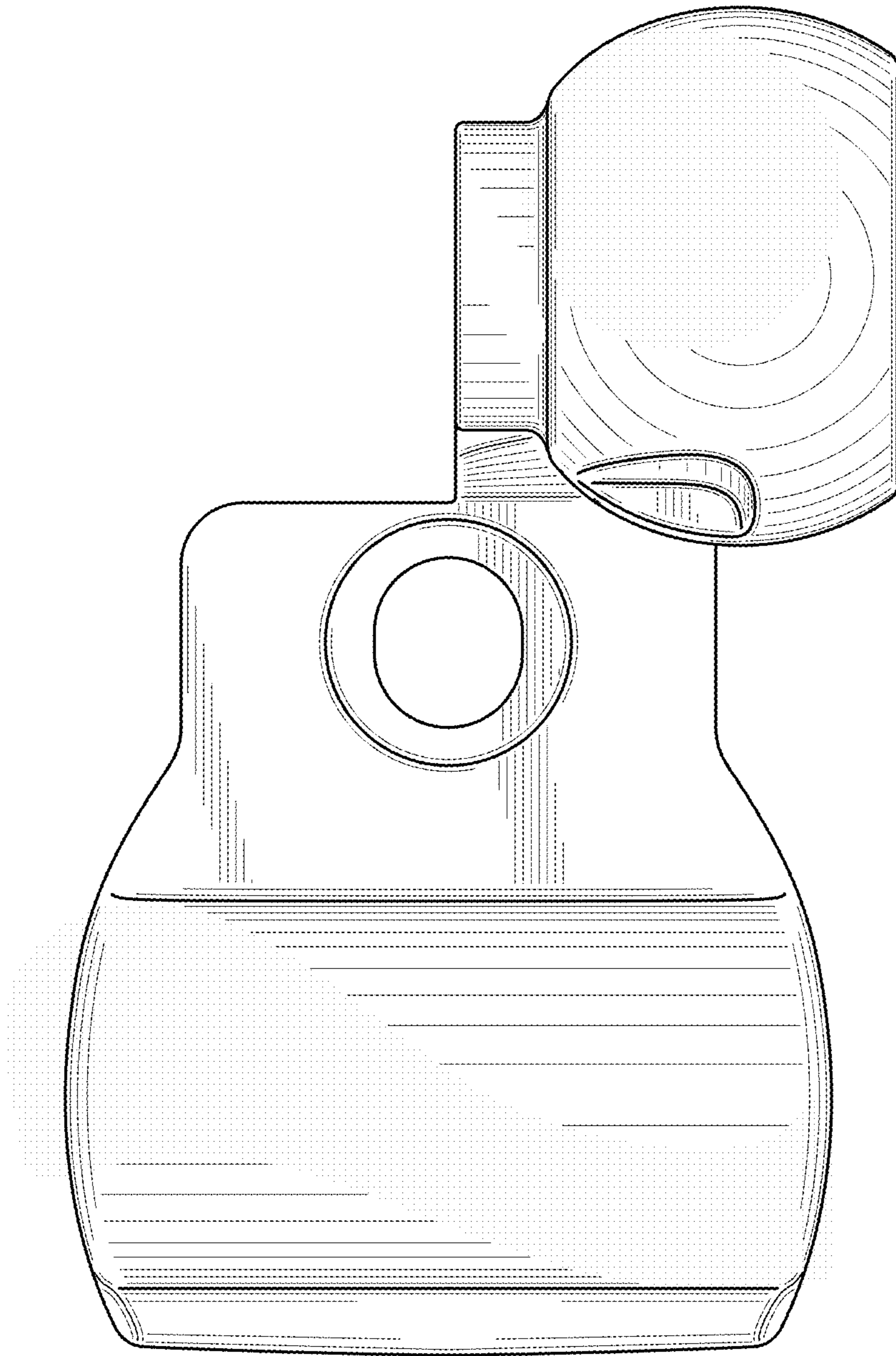


FIG. 22

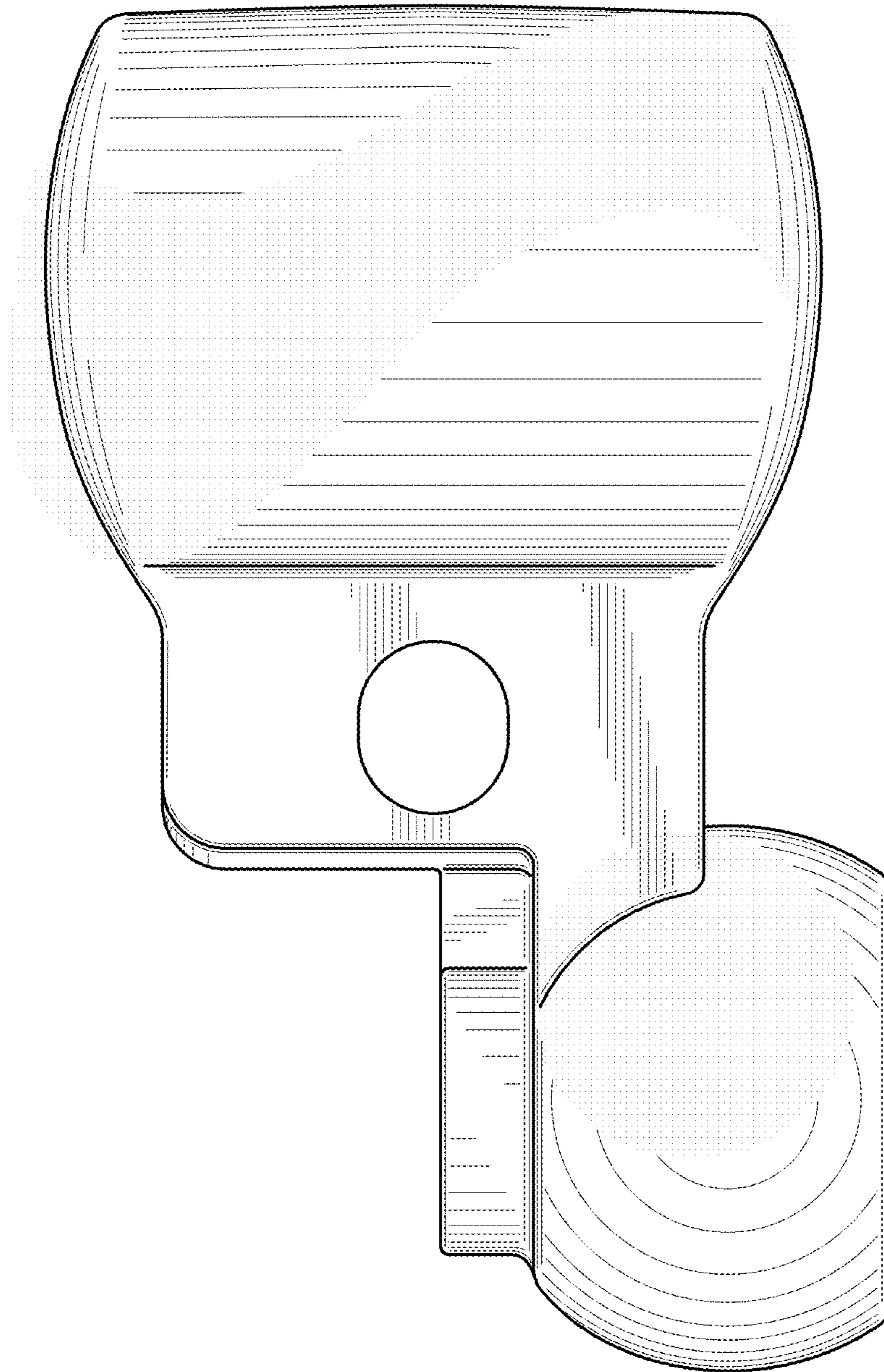


FIG. 23

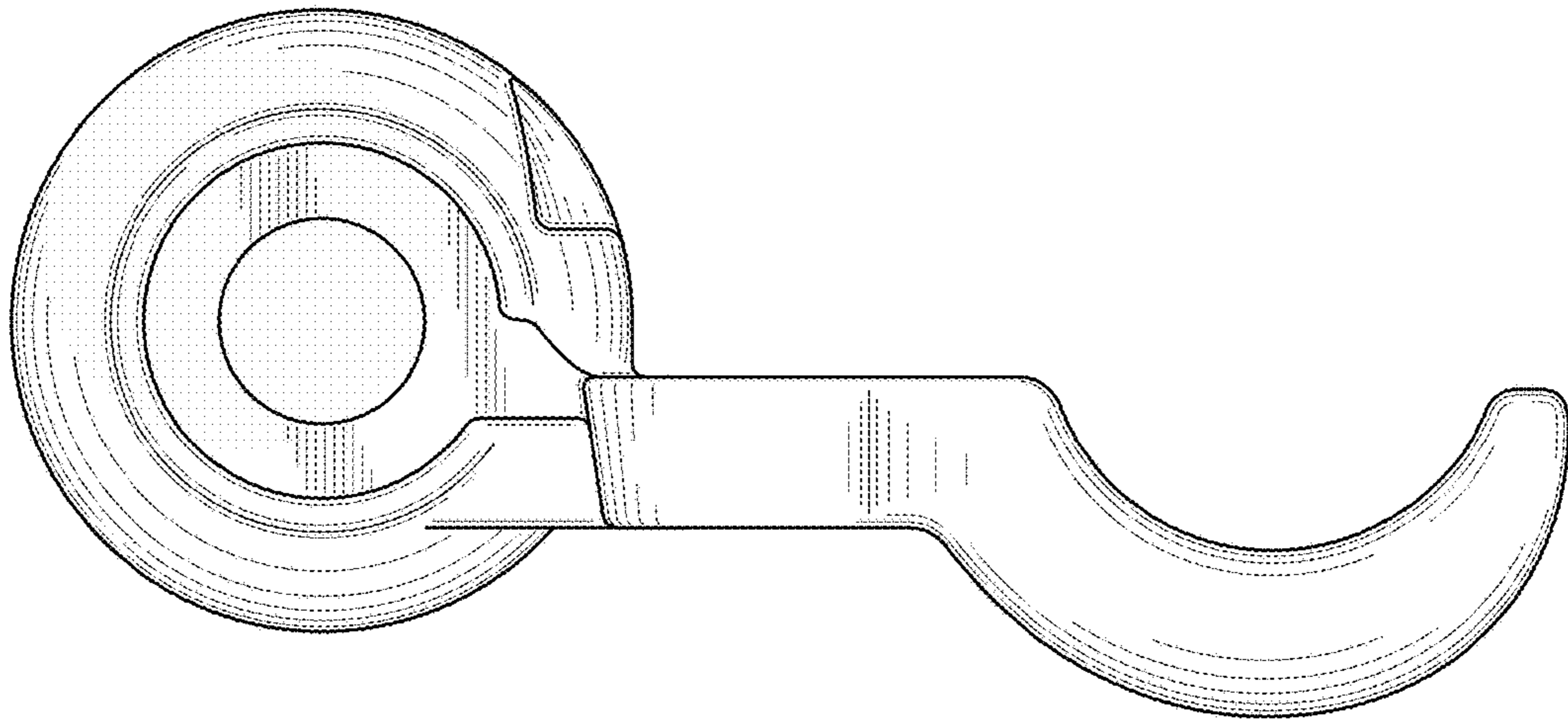


FIG. 24

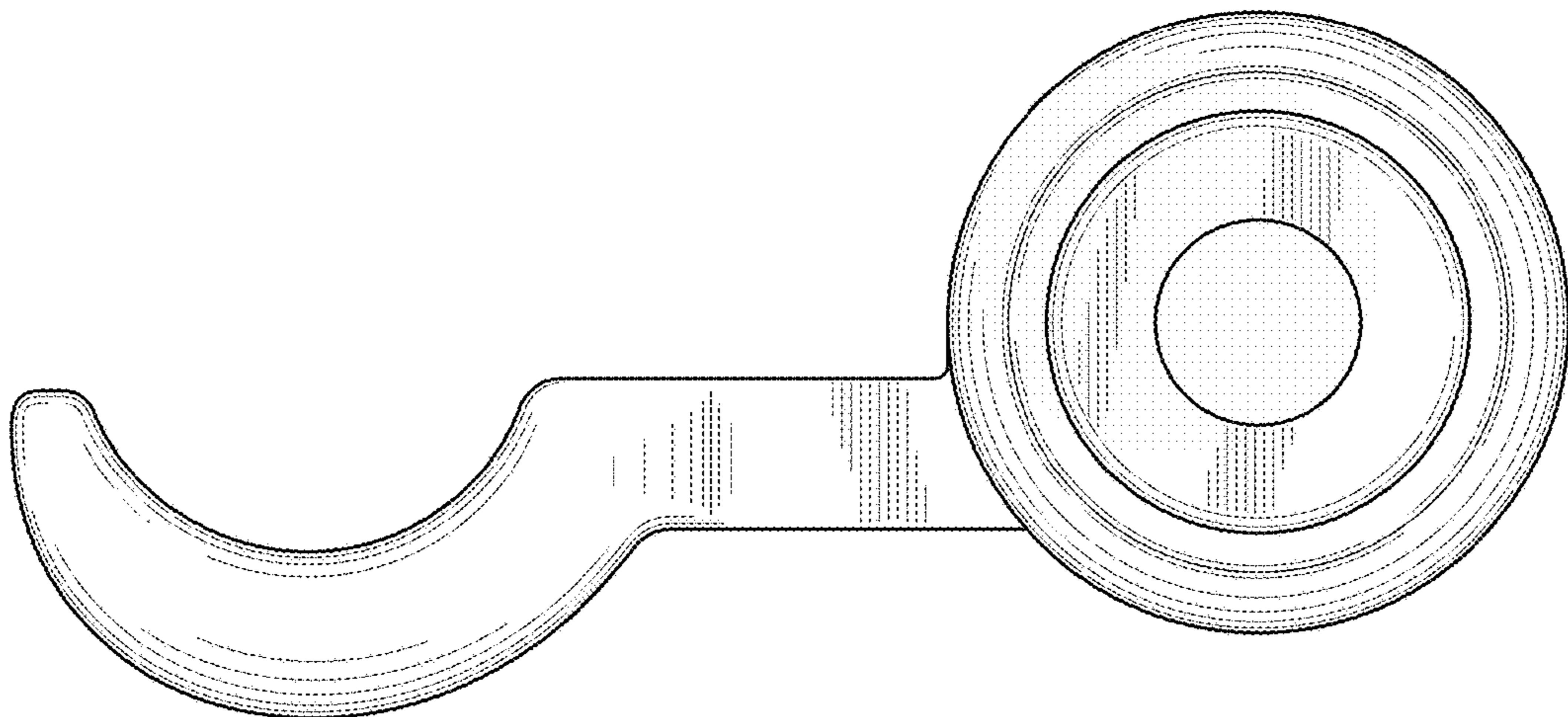


FIG. 25