



US00D834525S

(12) **United States Design Patent**
Lambrecht

(10) **Patent No.:** **US D834,525 S**

(45) **Date of Patent:** **** Nov. 27, 2018**

(54) **CABLE CONNECTOR**

(71) Applicant: **Intuitive Surgical Operations, Inc.**,
Sunnyvale, CA (US)

(72) Inventor: **Bram Gilbert Antoon Lambrecht**,
Redwood City, CA (US)

(73) Assignee: **INTUITIVE SURGICAL**
OPERATIONS, INC., Sunnyvale, CA
(US)

(**) Term: **15 Years**

(21) Appl. No.: **29/635,149**

(22) Filed: **Jan. 29, 2018**

Related U.S. Application Data

(62) Division of application No. 29/571,124, filed on Jul.
14, 2016, now Pat. No. Des. 810,691.

(51) **LOC (11) Cl.** **13-03**

(52) **U.S. Cl.**
USPC **D13/147**

(58) **Field of Classification Search**
USPC D13/133, 146, 147, 154, 184, 199;
D24/127, 129, 231
CPC H01R 12/58; H01R 12/592; H01R 12/616;
H01R 12/777; H01R 12/778; H01R
13/26; H01R 13/28; H01R 13/6586;
H01R 13/6595
See application file for complete search history.

(56) **References Cited**

U.S. PATENT DOCUMENTS

D141,099 S	5/1945	Baumgardner
D141,100 S	5/1945	Baumgardner
D141,101 S	5/1945	Baumgardner
D188,419 S	7/1960	Danesi
3,184,703 A	5/1965	Piscitello et al.

4,211,461 A	7/1980	Wescott
D290,458 S	6/1987	O'Leary
5,180,316 A	1/1993	Miller et al.
D342,937 S	1/1994	Angel, Jr. et al.
D358,131 S	5/1995	Lorentzen
D364,332 S	11/1995	Sachs
D412,312 S	7/1999	Myers
D415,469 S	10/1999	Lee
D420,980 S	2/2000	Tennessee
D428,853 S	8/2000	Burwell et al.
D472,523 S	4/2003	Hansen
D491,526 S	6/2004	D'Addario et al.
D533,501 S	12/2006	Wakefield et al.

(Continued)

OTHER PUBLICATIONS

U.S. Appl. No. 61/721,870, filed Nov. 2, 2012.

(Continued)

Primary Examiner — Daniel Bui

(74) *Attorney, Agent, or Firm* — Jones Robb, PLLC

(57) **CLAIM**

The ornamental design for a cable connector, as shown and described.

DESCRIPTION

FIG. 1 is a perspective view of a cable connector of my new design.

FIG. 2 is another perspective view thereof.

FIG. 3 is a front view thereof.

FIG. 4 is a bottom view of thereof.

FIG. 5 is a left side view thereof.

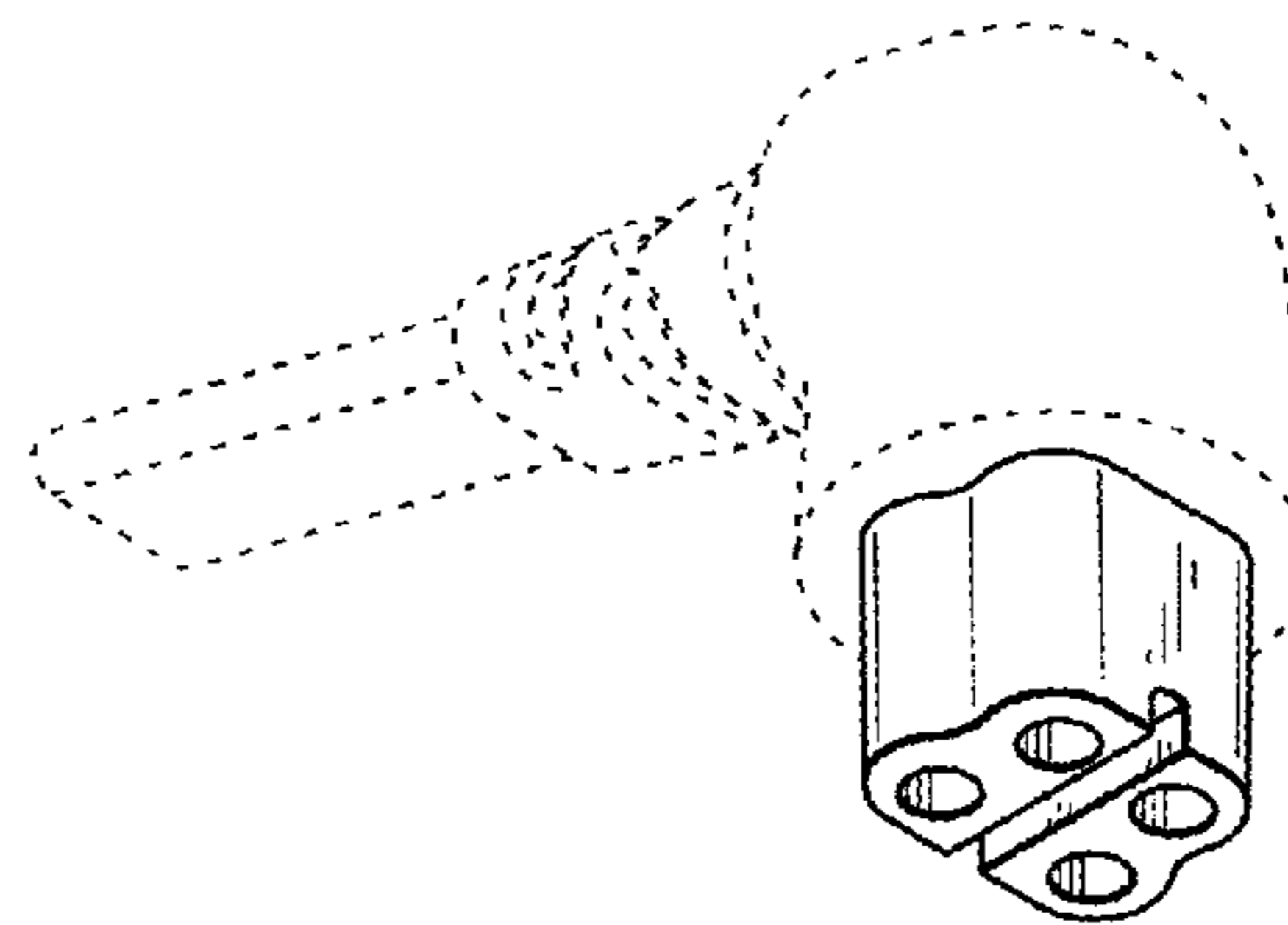
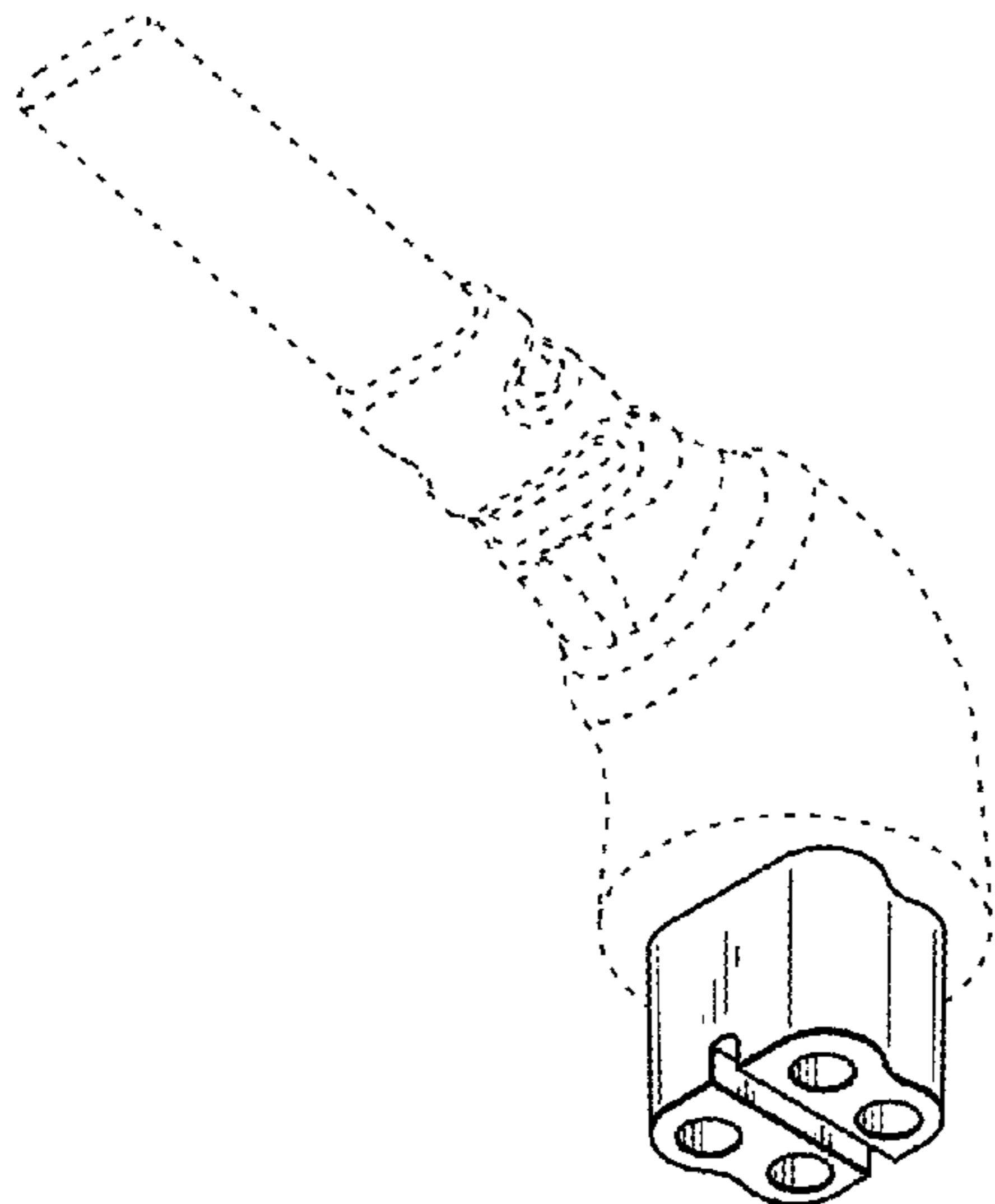
FIG. 6 is a top view thereof; and,

FIG. 7 is a right side view thereof.

The shade lines in the Figures show surface contour and not surface ornamentation

Portions of the figures depicted in broken lines show environmental structure and form no part of the claimed design.

1 Claim, 2 Drawing Sheets



(56)

References Cited

U.S. PATENT DOCUMENTS

D543,148 S 5/2007 Suckle et al.
 D560,610 S 1/2008 McCoy
 D563,883 S * 3/2008 Dever D13/147
 D563,884 S 3/2008 Dever
 D587,205 S 2/2009 Wu et al.
 D617,272 S 6/2010 The
 D639,743 S 6/2011 Smith et al.
 D639,744 S 6/2011 Smith et al.
 8,052,470 B1 11/2011 Lin
 8,083,548 B1 12/2011 Lin
 8,162,684 B1 * 4/2012 Sochor A61N 1/3754
 439/289
 D658,586 S 5/2012 Lin
 D668,225 S 10/2012 Lyford et al.
 D668,226 S 10/2012 Lyford et al.
 D672,718 S 12/2012 Lyford et al.
 D672,719 S 12/2012 Lyford et al.
 D672,720 S 12/2012 Lyford et al.
 D672,722 S 12/2012 Kreitzer et al.
 D672,723 S 12/2012 Kreitzer et al.
 D673,119 S 12/2012 Lyford et al.
 D673,120 S 12/2012 Lyford et al.
 D673,121 S 12/2012 Lyford et al.

D682,787 S 5/2013 Lyford et al.
 D690,266 S * 9/2013 Dachs, II D13/133
 D691,090 S 10/2013 Dachs
 D691,091 S * 10/2013 Dachs, II D13/146
 D691,092 S 10/2013 Dachs
 D697,030 S 1/2014 Ledinger et al.
 D702,642 S 4/2014 Dachs, II
 D703,140 S 4/2014 Dachs, II
 D703,612 S * 4/2014 Dachs, II D13/146
 D746,777 S 1/2016 Lavén et al.
 D784,929 S 4/2017 Makimura et al.
 D810,028 S * 2/2018 Lambrecht D13/147
 D810,690 S 2/2018 Lambrecht
 D810,691 S 2/2018 Lambrecht
 D810,692 S * 2/2018 Lambrecht D13/147
 2004/0152354 A1 8/2004 Luther et al.

OTHER PUBLICATIONS

Vertut, Jean and Phillipe Coiffet, Robot Technology: Teleoperation and Robotics Evolution and Development, English translation, Prentice-Hall, Inc., Inglewood Cliffs, NJ, USA 1986, vol. 3A, 332 pages.

* cited by examiner

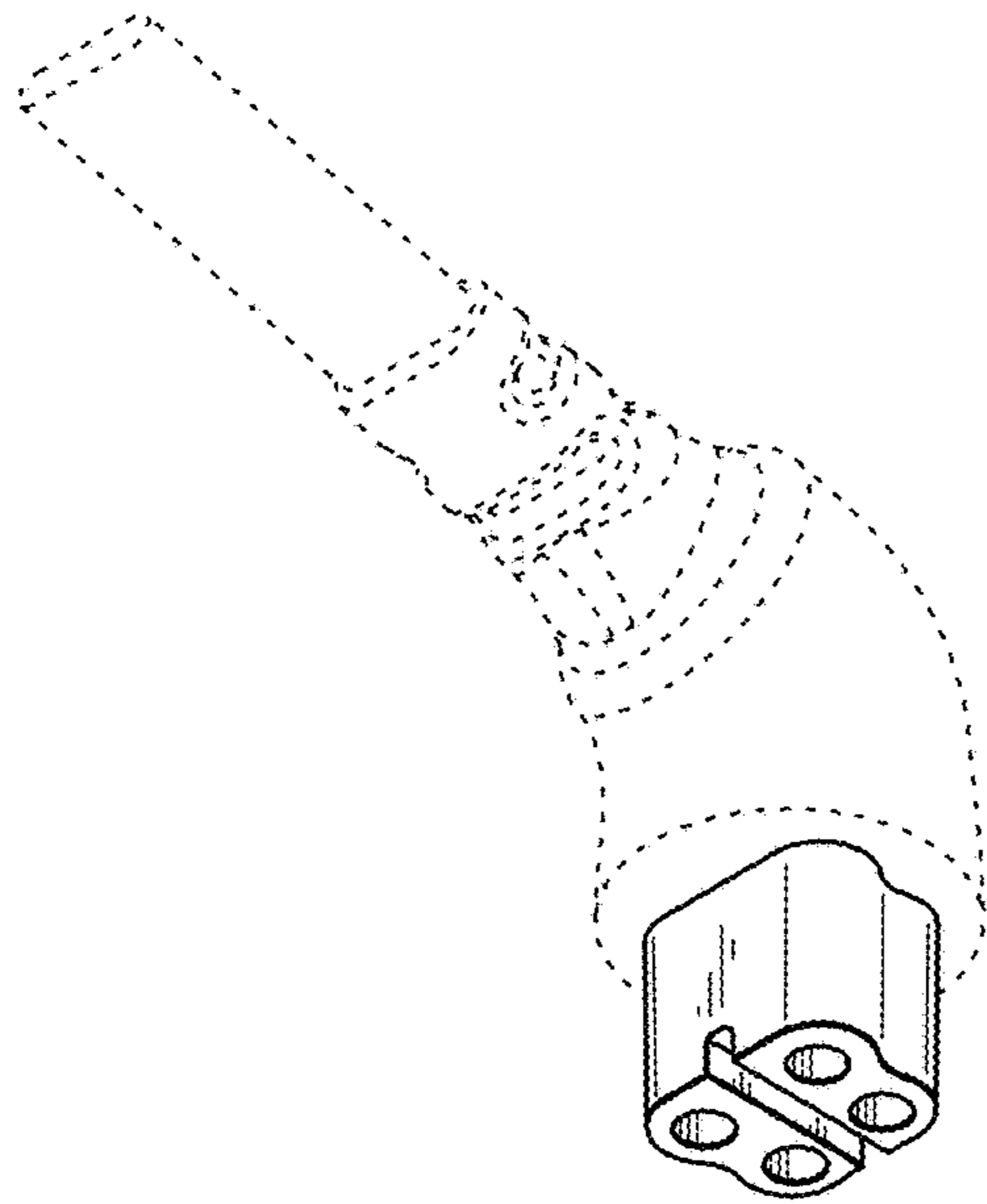


FIG. 1

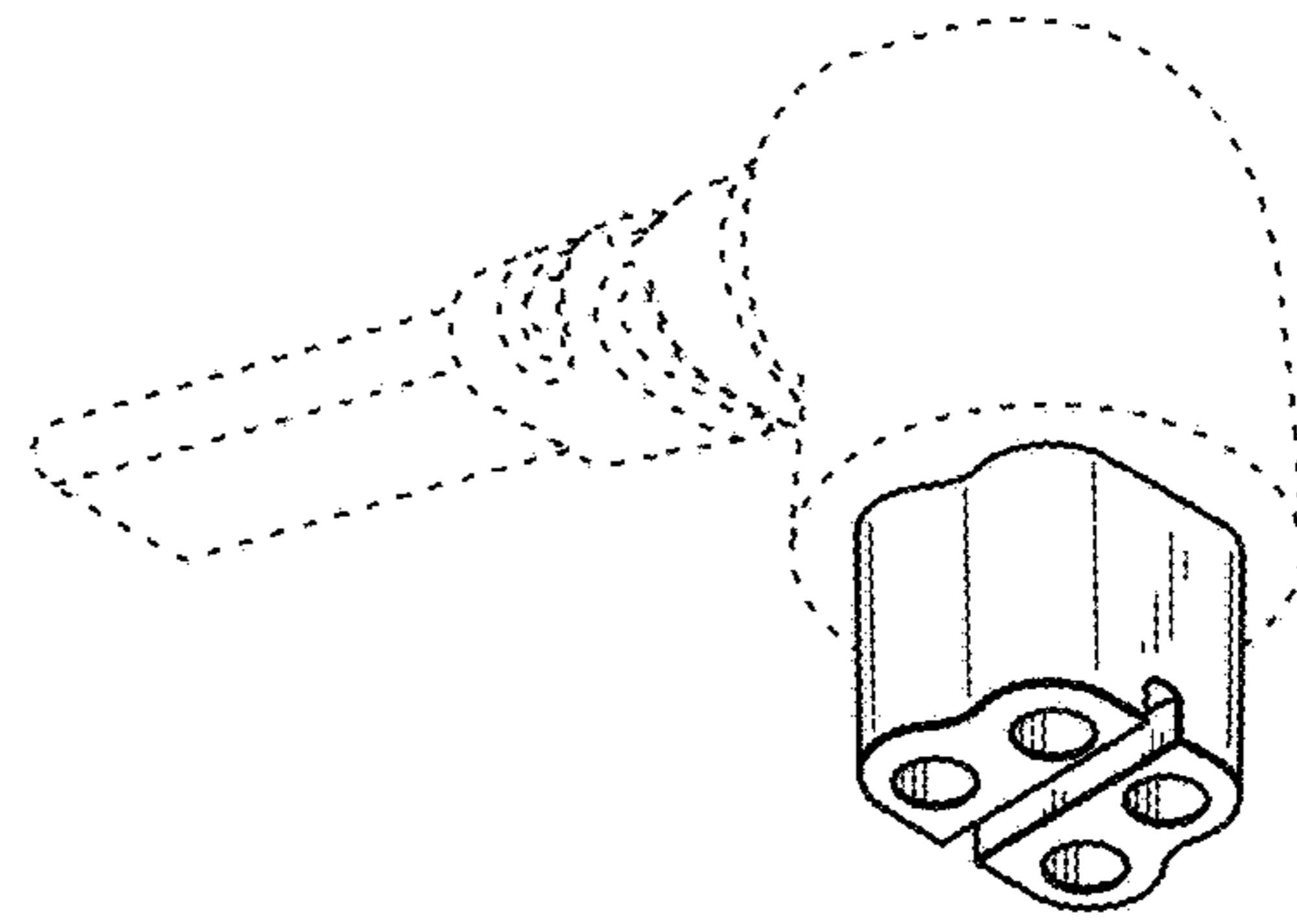


FIG. 2

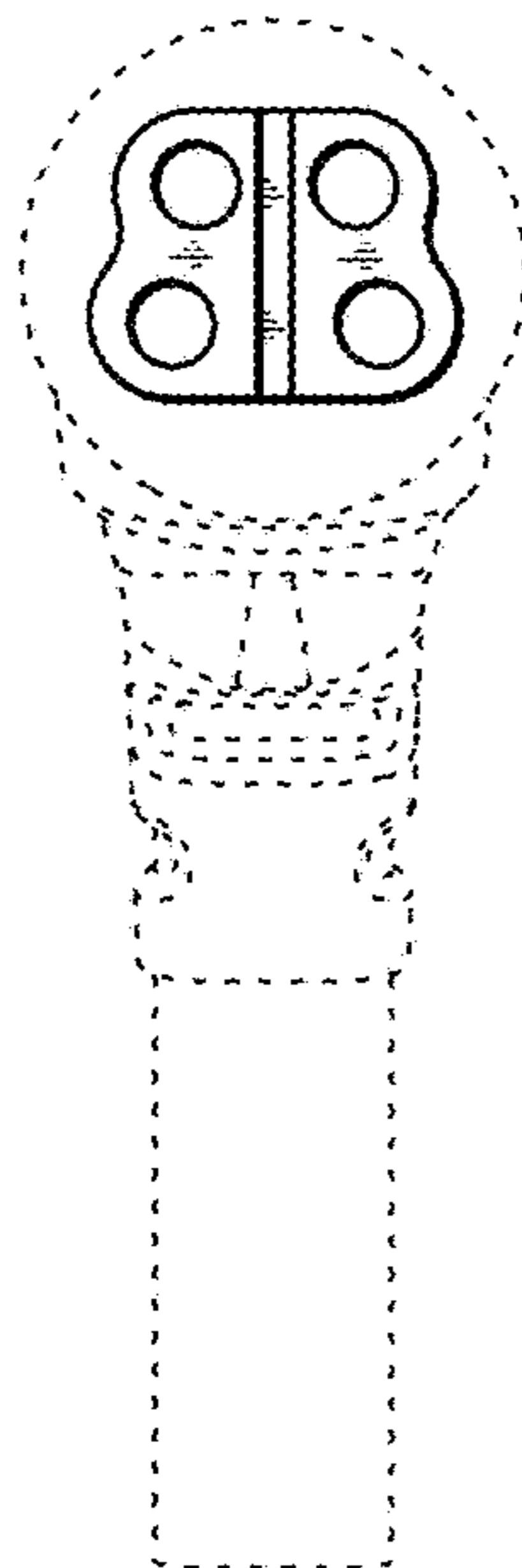


FIG. 3

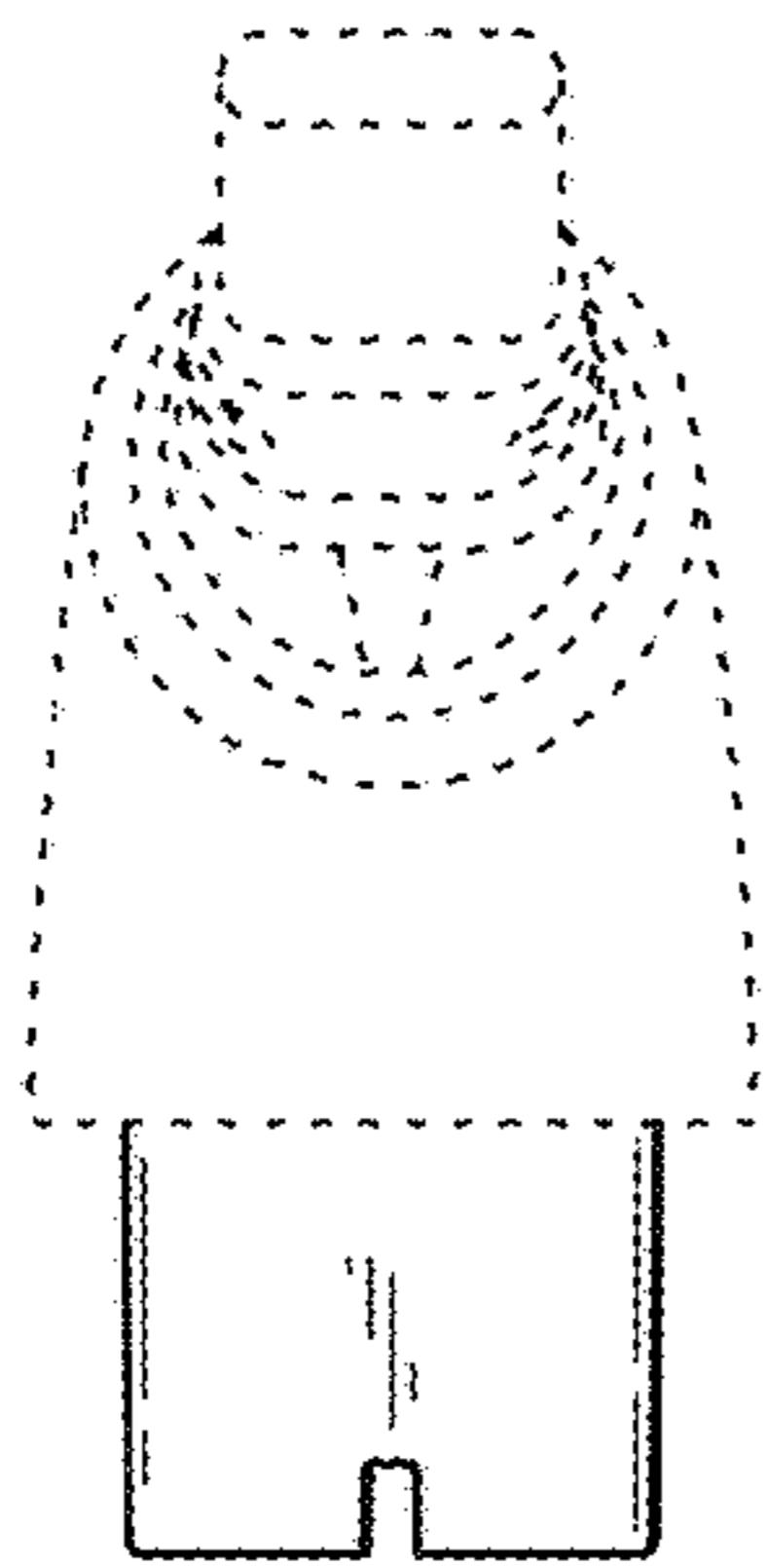


FIG. 4

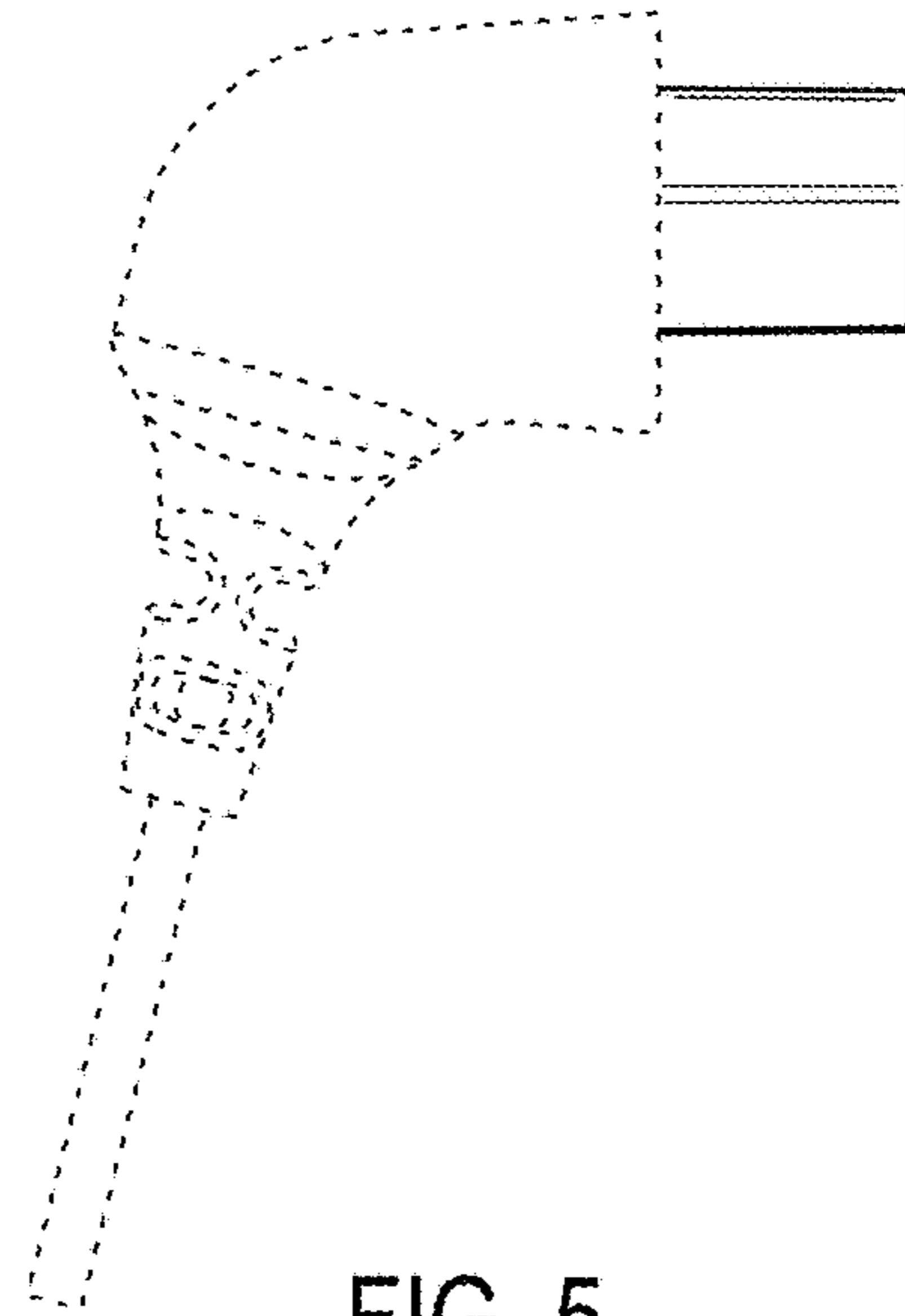


FIG. 5

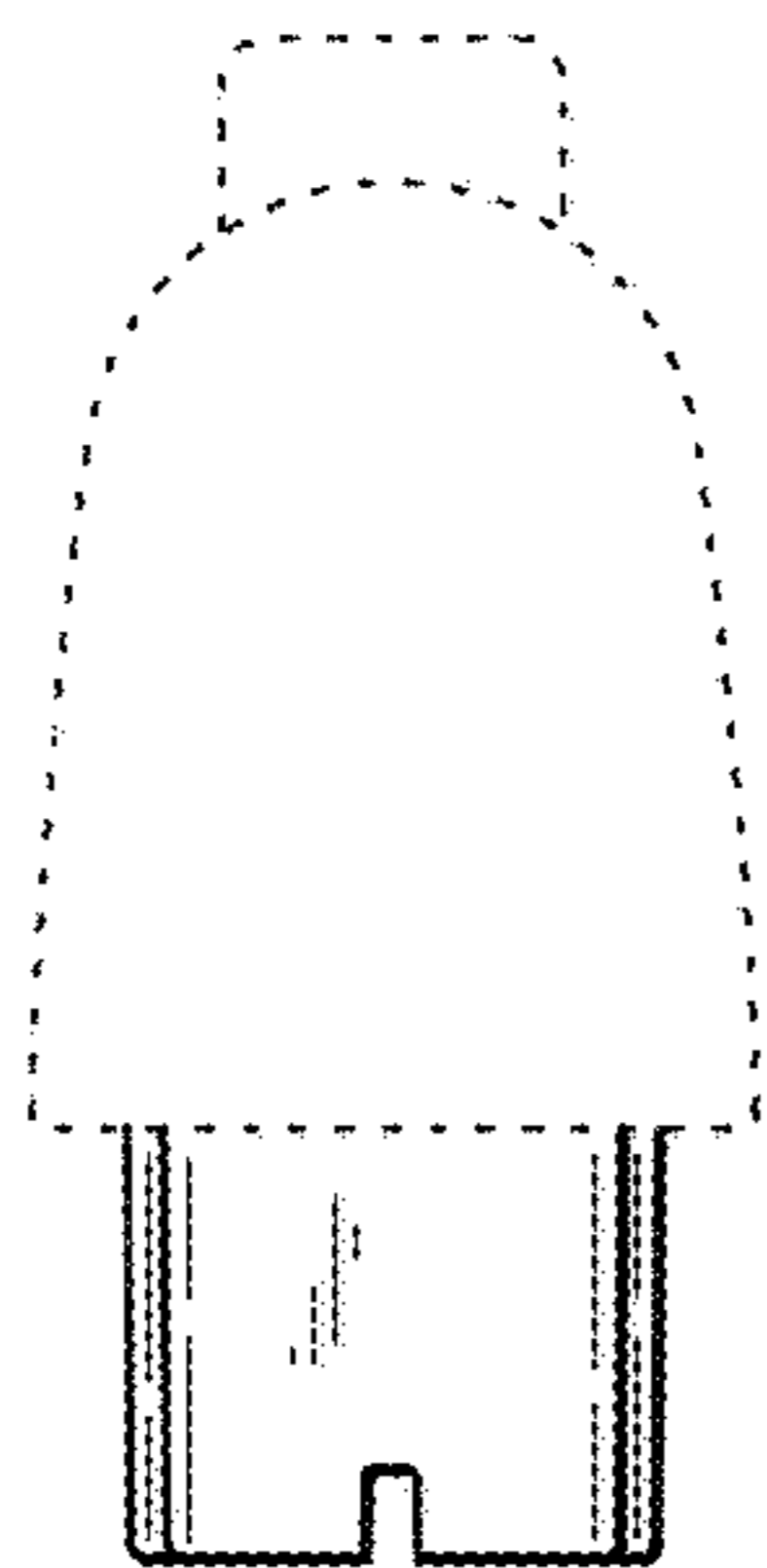


FIG. 6

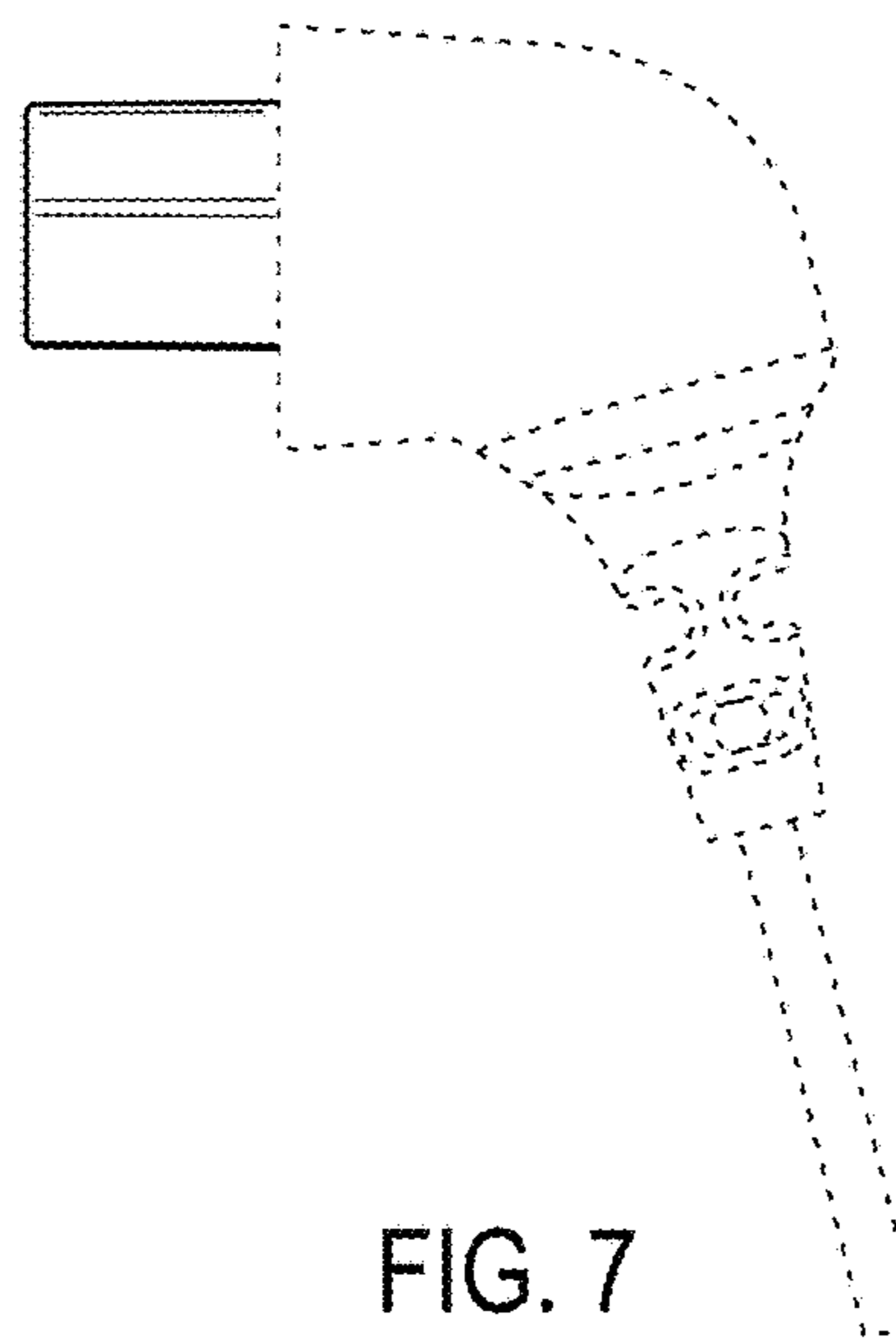


FIG. 7