



US00D834524S

(12) **United States Design Patent**
Yayoshi

(10) **Patent No.:** **US D834,524 S**

(45) **Date of Patent:** **** Nov. 27, 2018**

(54) **ELECTRICAL CONNECTOR**

(71) Applicant: **DAI-ICHI SEIKO CO., LTD.**,
Kyoto-shi (JP)

(72) Inventor: **Tadamichi Yayoshi**, Machida (JP)

(73) Assignee: **DAI-ICHI SEIKO CO., LTD.**,
Kyoto-shi (JP)

(**) Term: **15 Years**

(21) Appl. No.: **29/595,823**

(22) Filed: **Mar. 2, 2017**

(30) **Foreign Application Priority Data**

Sep. 7, 2016 (JP) 2016-019340

(51) **LOC (11) Cl.** **13-03**

(52) **U.S. Cl.**
USPC **D13/147**

(58) **Field of Classification Search**
USPC D13/118, 120, 123, 133, 146, 147, 149,
D13/154, 173, 184, 199; D14/432, 433,
D14/435, 435.1, 436, 437, 438

CPC H01R 12/00; H01R 12/50; H01R 12/52;
H01R 12/57; H01R 12/62; H01R 12/65;
H01R 12/70; H01R 12/71; H01R 12/73;
H01R 13/02; H01R 13/04; H01R 13/52;

(Continued)

(56) **References Cited**

U.S. PATENT DOCUMENTS

D539,225 S 3/2007 Kishi
D540,263 S * 4/2007 Kishi D13/147
D578,481 S * 10/2008 Lee D13/147

(Continued)

OTHER PUBLICATIONS

Office Action for U.S. Appl. No. 29/595,833 dated Apr. 5, 2018,
11pg.

Primary Examiner — Angela J Lee

Assistant Examiner — Shawn T Gingrich

(74) *Attorney, Agent, or Firm* — Oblon, McClelland,
Maier & Neustadt, L.L.P.

(57) **CLAIM**

The ornamental design for an electrical connector, as shown
and described.

DESCRIPTION

FIG. 1 is a front elevational view of an electrical connector;

FIG. 2 is a rear elevational view thereof;

FIG. 3 is a top plan view thereof;

FIG. 4 is a bottom plan view thereof;

FIG. 5 is a right side elevational view thereof;

FIG. 6 is a left side elevational view thereof;

FIG. 7 is a front, top, and left side perspective view thereof;

FIG. 8 is a front, bottom, and right side perspective view
thereof;

FIG. 9 is an enlarged view showing a portion of FIG. 1
defined by line 9-9;

FIG. 10 is an enlarged view showing a portion of FIG. 3
defined by line 10-10;

FIG. 11 is an enlarged view showing a portion of FIG. 4
defined by line 11-11;

FIG. 12 is an enlarged right side elevational view thereof;

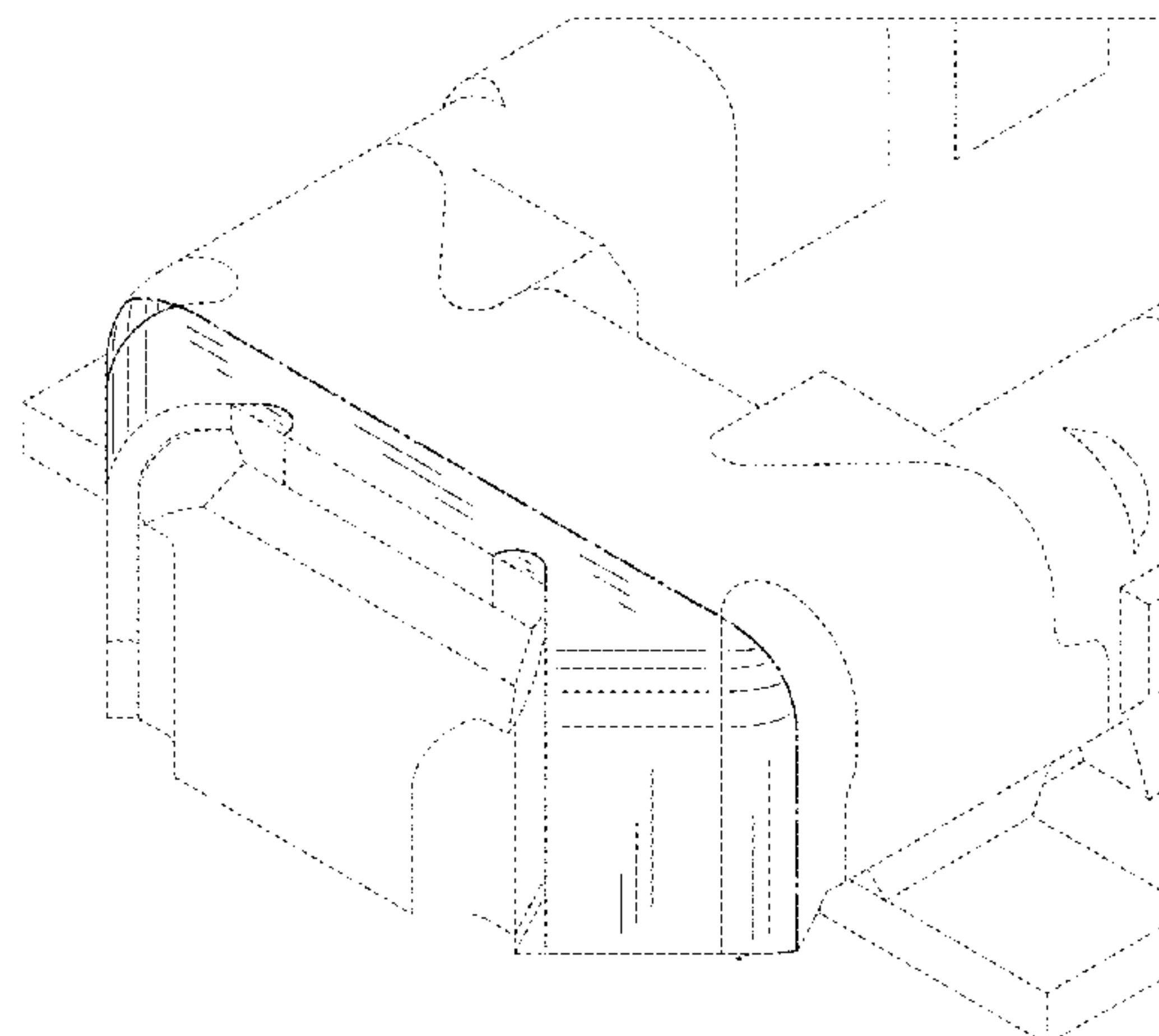
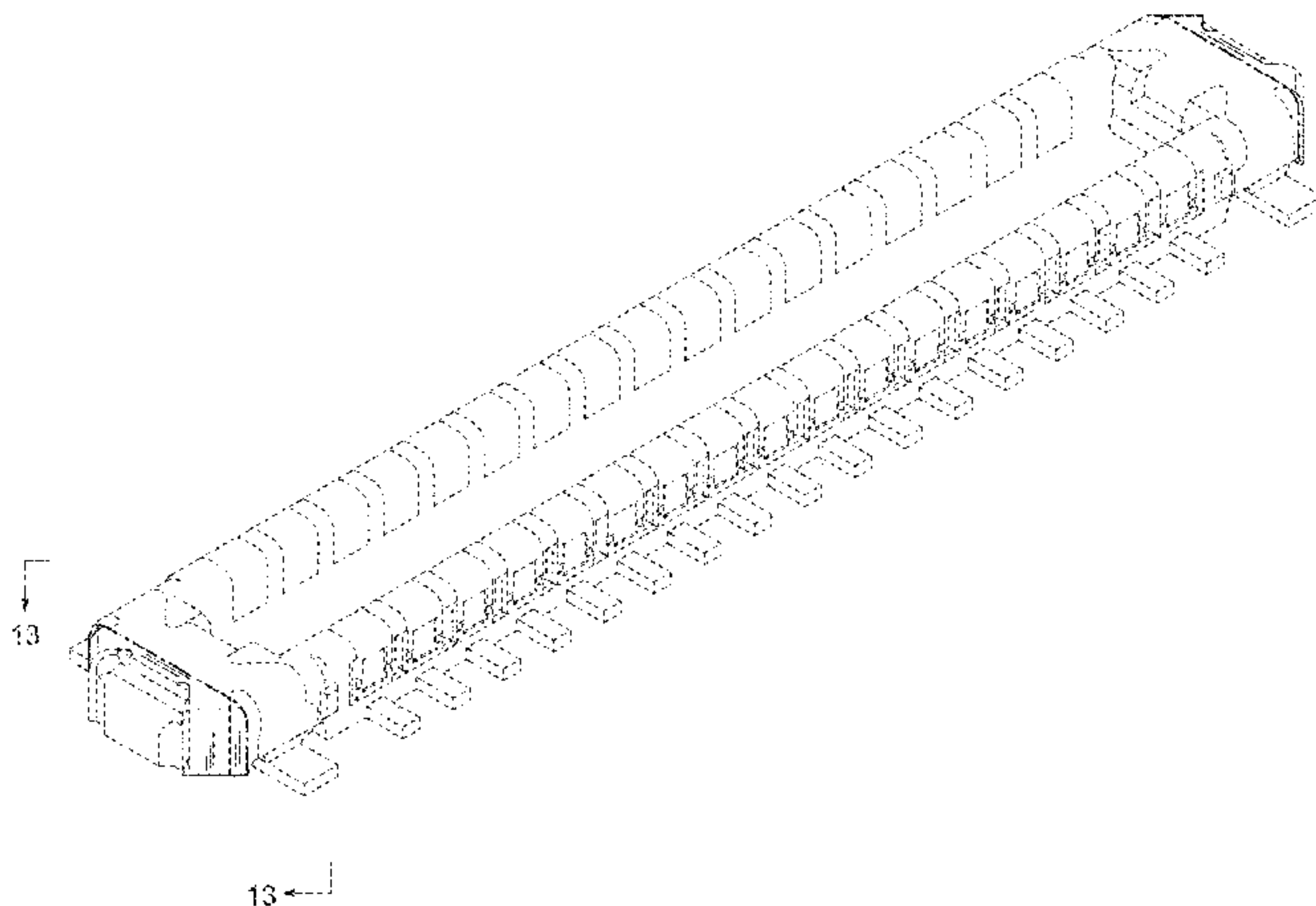
FIG. 13 is an enlarged view showing a portion of FIG. 7
defined by line 13-13;

FIG. 14 is an enlarged view showing a portion of FIG. 8
defined by line 14-14; and,

FIG. 15 is an enlarged cross-sectional view along the line
15-15 in FIG. 10.

The evenly-dashed broken lines in the drawings illustrate the
portions of the design that form no part of the claim. The
dot-dash broken lines in the drawings represent the bounds
of the claimed subject matter, the dot-dash lines, themselves
forming no part thereof.

1 Claim, 15 Drawing Sheets



(58) **Field of Classification Search**
 CPC H01R 13/62; H01R 13/627; H01R 13/65;
 H01R 24/00; H01R 24/28
 See application file for complete search history.

2010/0221928	A1*	9/2010	Sato	H01R 13/20 439/74
2013/0012074	A1*	1/2013	Mashiyama	H01R 12/73 439/660
2013/0137304	A1	5/2013	Huang	
2013/0137307	A1	5/2013	Huang	
2013/0137308	A1	5/2013	Chiang	
2015/0079818	A1*	3/2015	Ozeki	H01R 12/73 439/81
2015/0079853	A1	3/2015	Tsai	
2015/0140841	A1*	5/2015	Watanabe	H01R 12/7011 439/74
2015/0207248	A1*	7/2015	Takenaga	H01R 12/716 439/74
2015/0214643	A1*	7/2015	Lee	H01R 12/7029 439/655
2015/0270641	A1*	9/2015	Omodachi	H01R 12/707 439/374
2015/0380845	A1	12/2015	Goto	
2016/0141783	A1*	5/2016	Hirakawa	H01R 12/7076 439/66
2016/0268715	A1*	9/2016	Kodaira	H01R 12/716
2017/0271813	A1*	9/2017	Ge	H01R 13/6275
2018/0069331	A1*	3/2018	Hirakawa	H01R 12/716

(56) **References Cited**

U.S. PATENT DOCUMENTS

D582,858	S	12/2008	Hoshino	
D598,863	S *	8/2009	Hoshino	D13/147
D695,692	S	12/2013	Takenaga	
D720,298	S	12/2014	Takenaga	
D722,974	S	2/2015	Ueda	
D723,471	S	3/2015	Miyazaki	
D735,674	S	8/2015	Miyazaki	
D739,825	S *	9/2015	Omodachi	D13/147
D774,462	S *	12/2016	Omodachi	D13/147
D795,813	S	8/2017	Goto	
D797,677	S	9/2017	Ozeki	
D811,344	S	2/2018	Ozeki	
9,887,473	B2 *	2/2018	Lee	H01R 12/716
2006/0264074	A1	11/2006	Chang	
2008/0268711	A1	10/2008	Miyazaki	

* cited by examiner

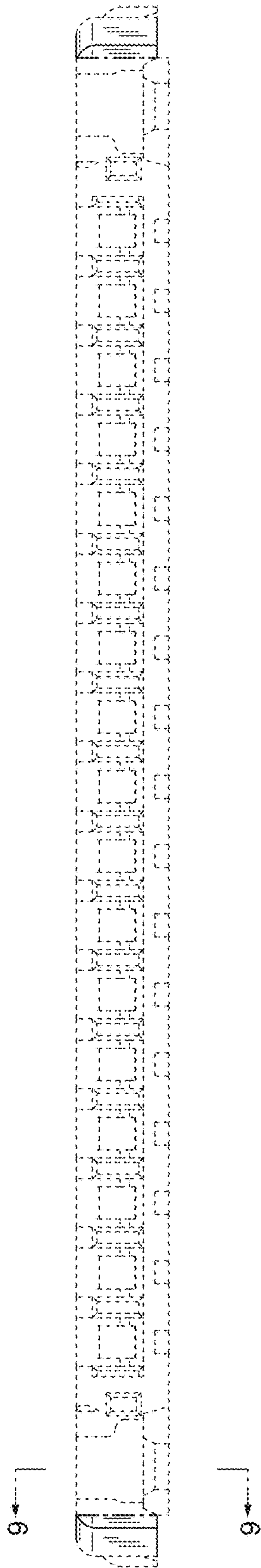


FIG. 1

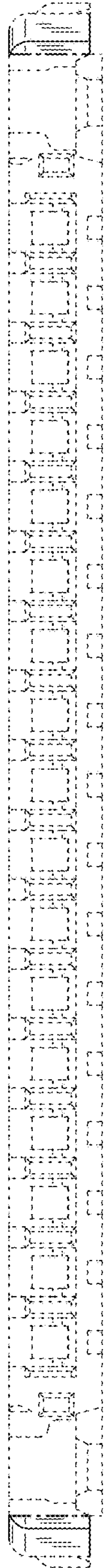


FIG. 2

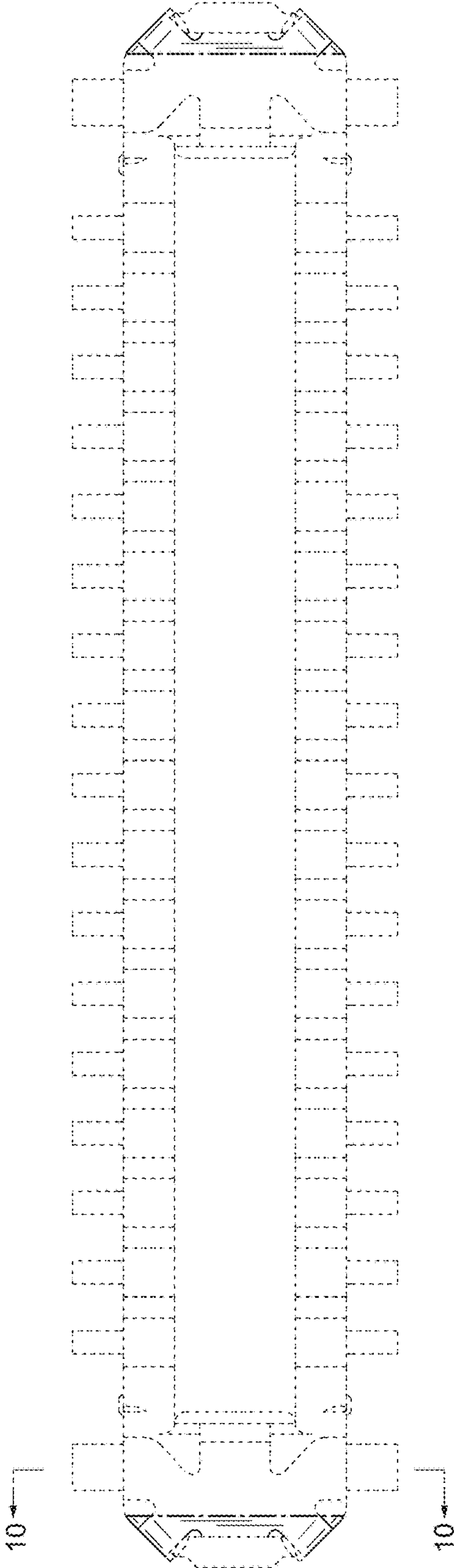


FIG. 3

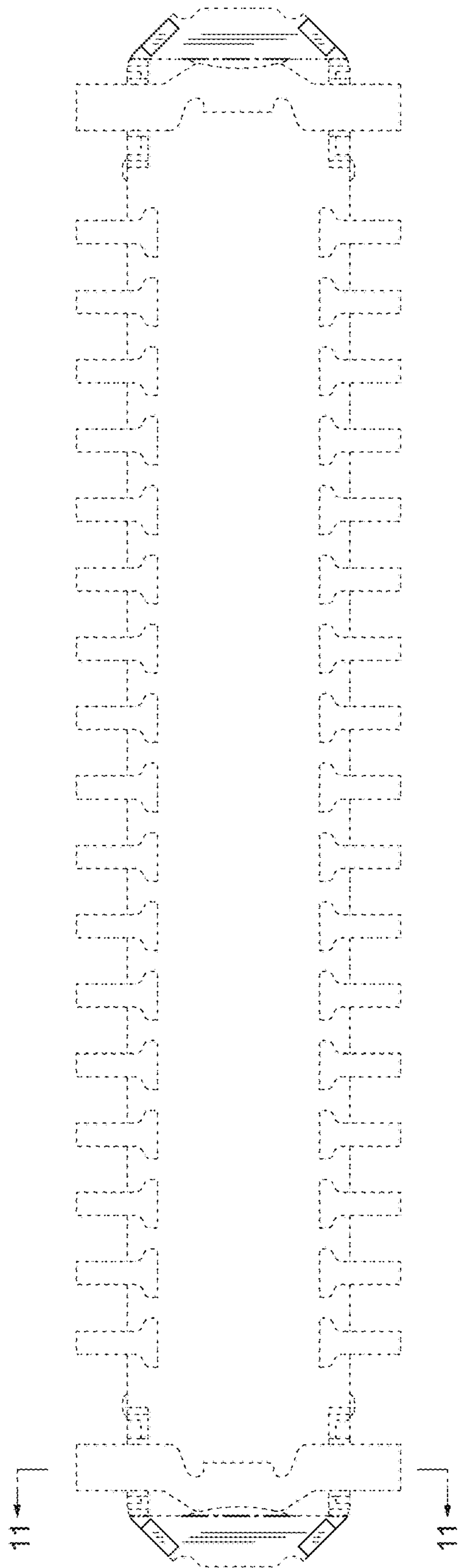


FIG. 4

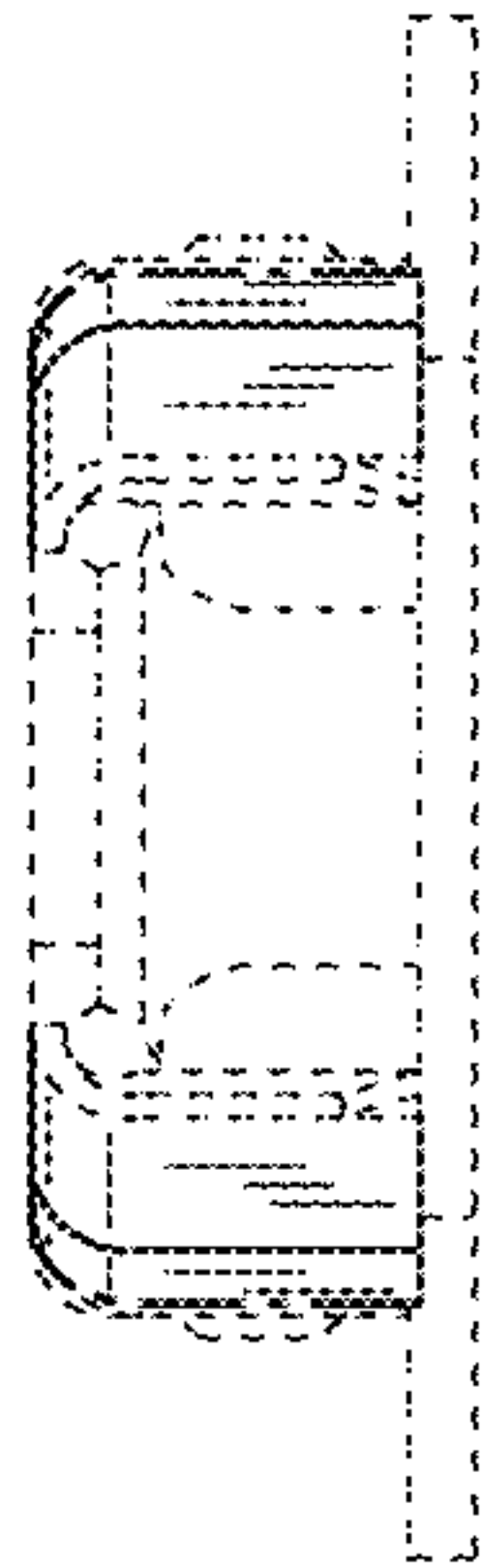


FIG. 5

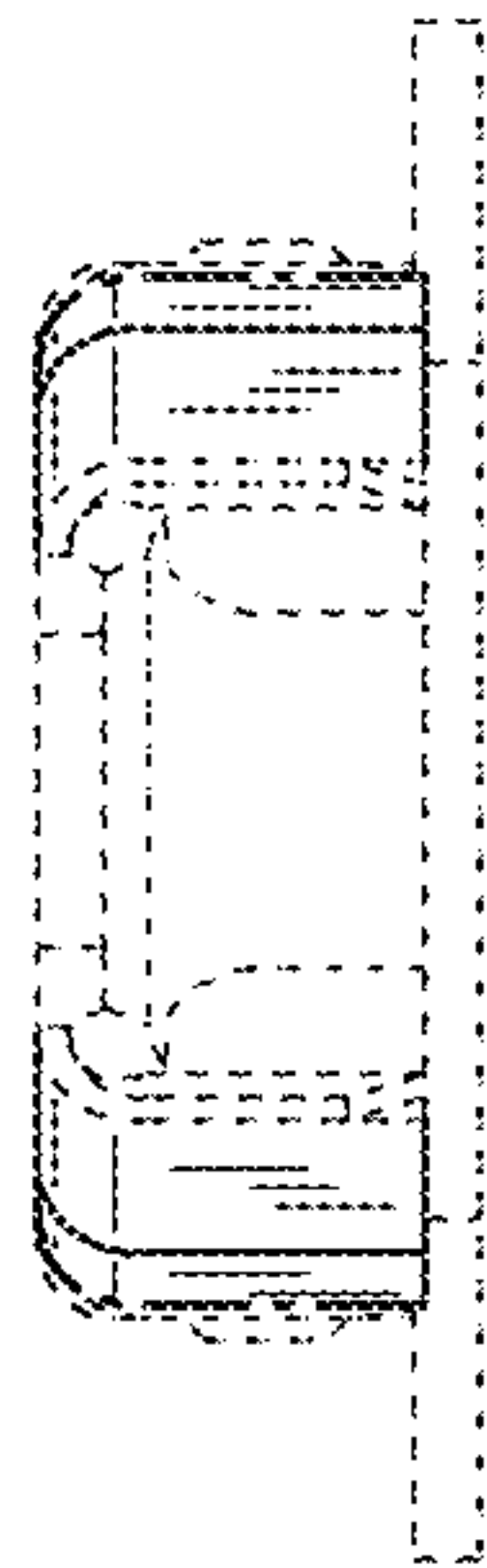
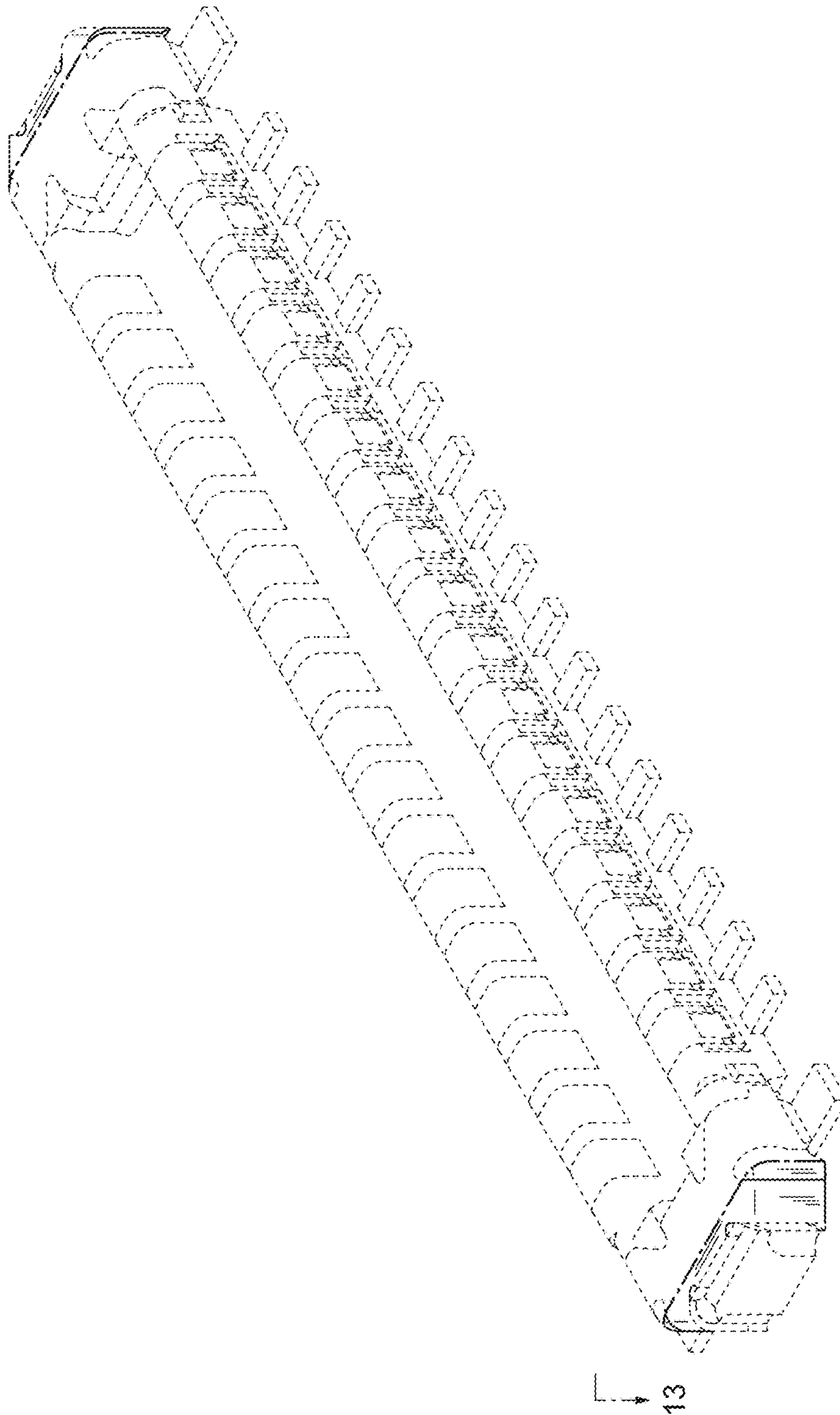


FIG. 6



13

13

FIG. 7

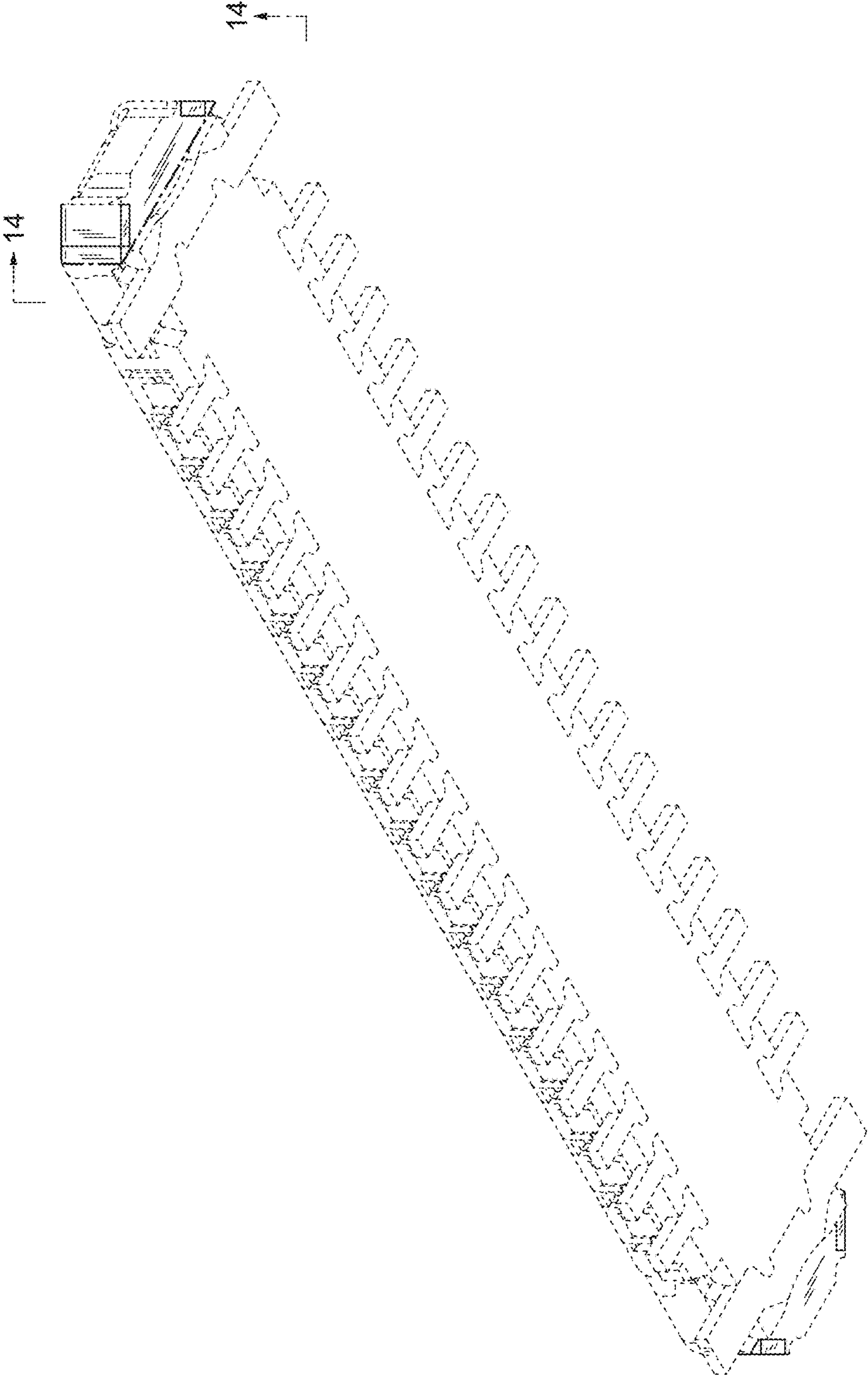


FIG. 8

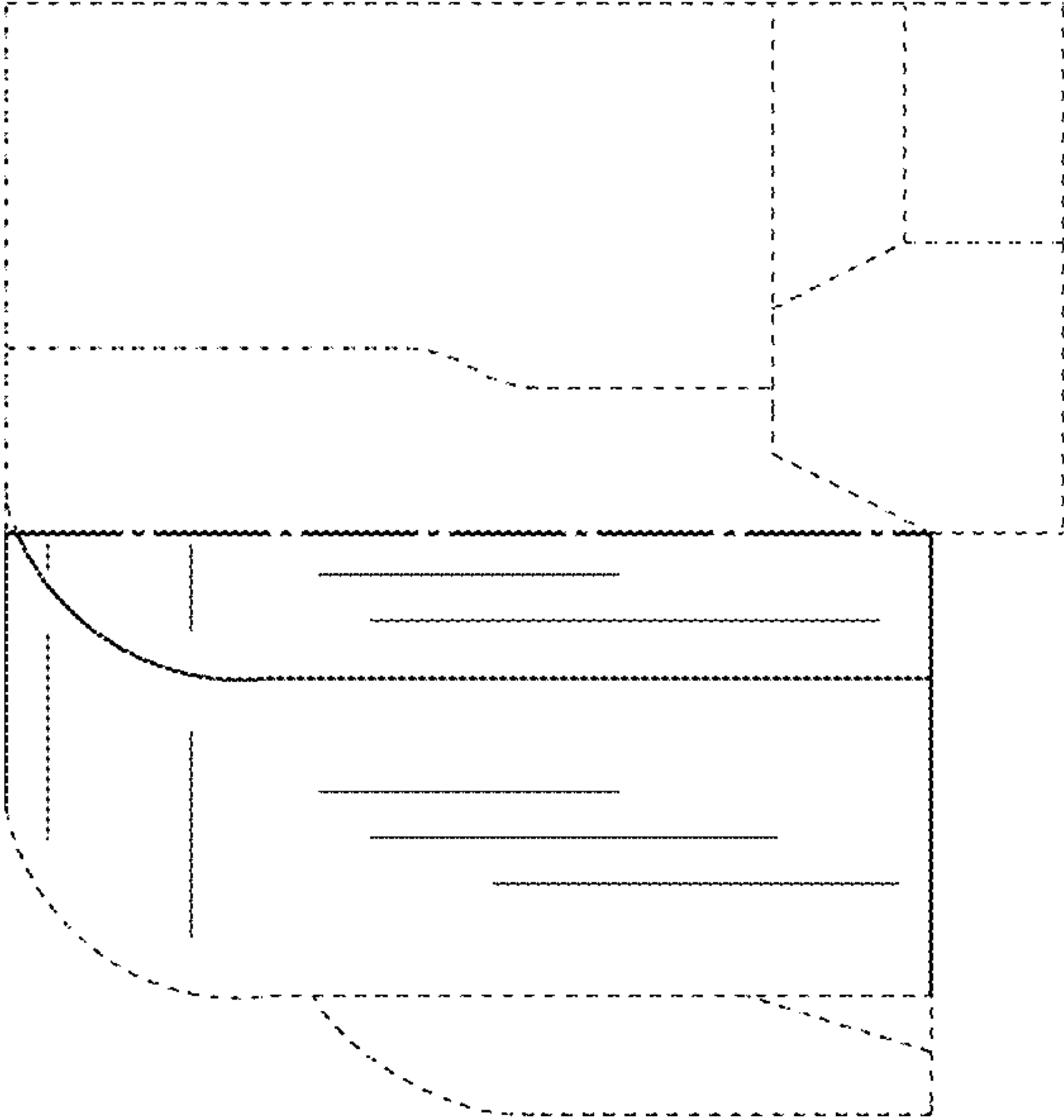


FIG. 9

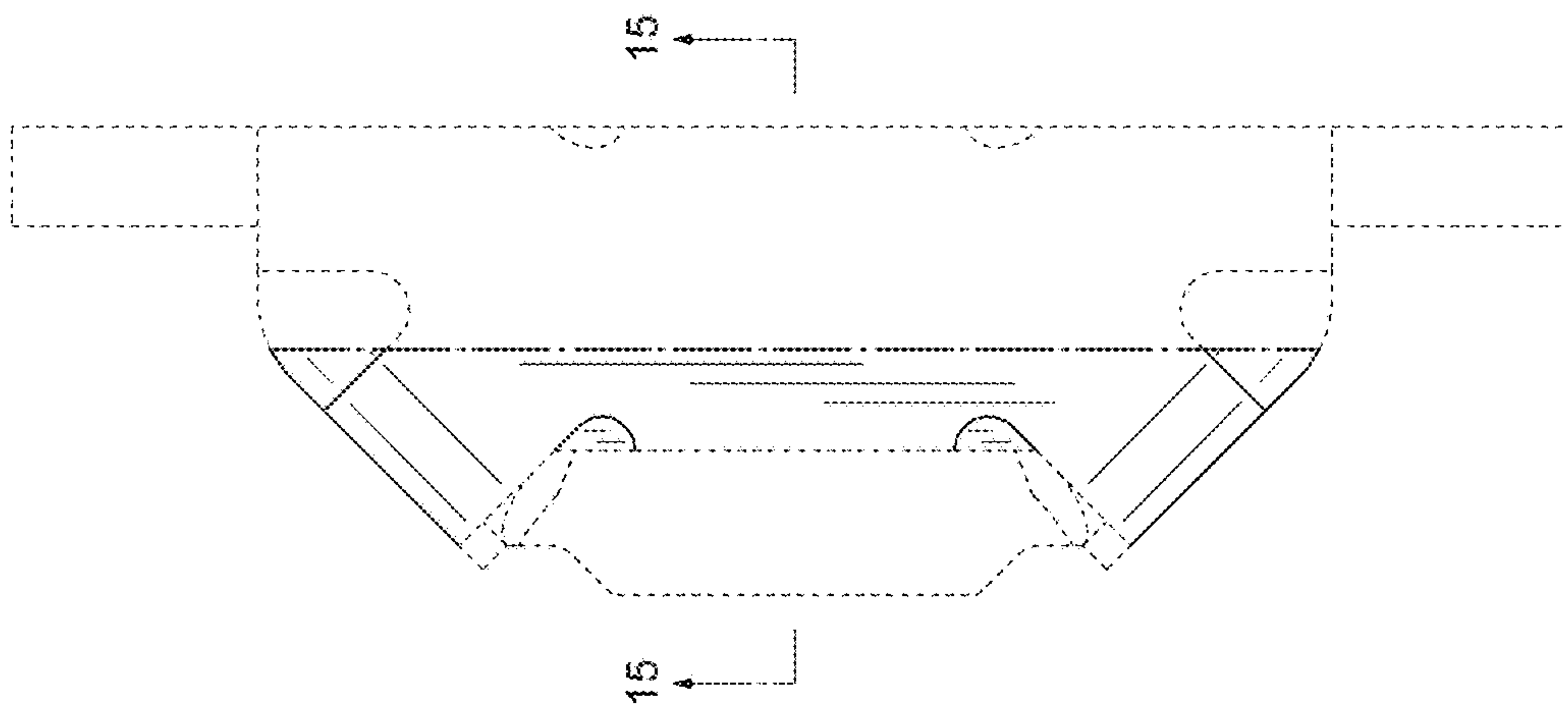


FIG. 10

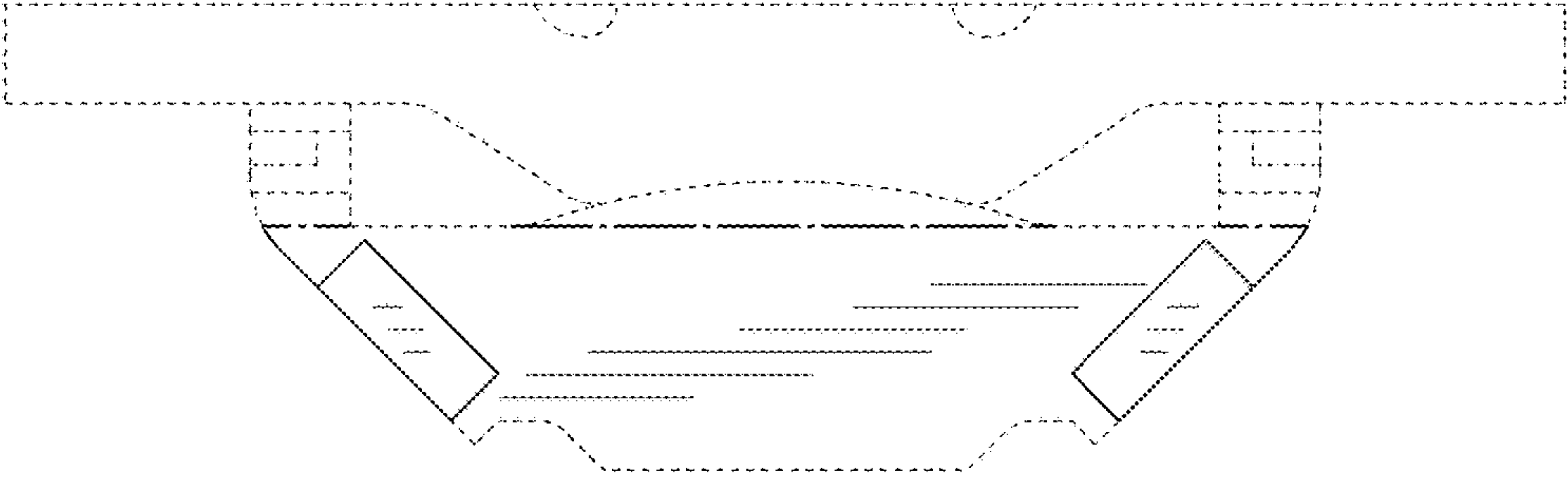


FIG. 11

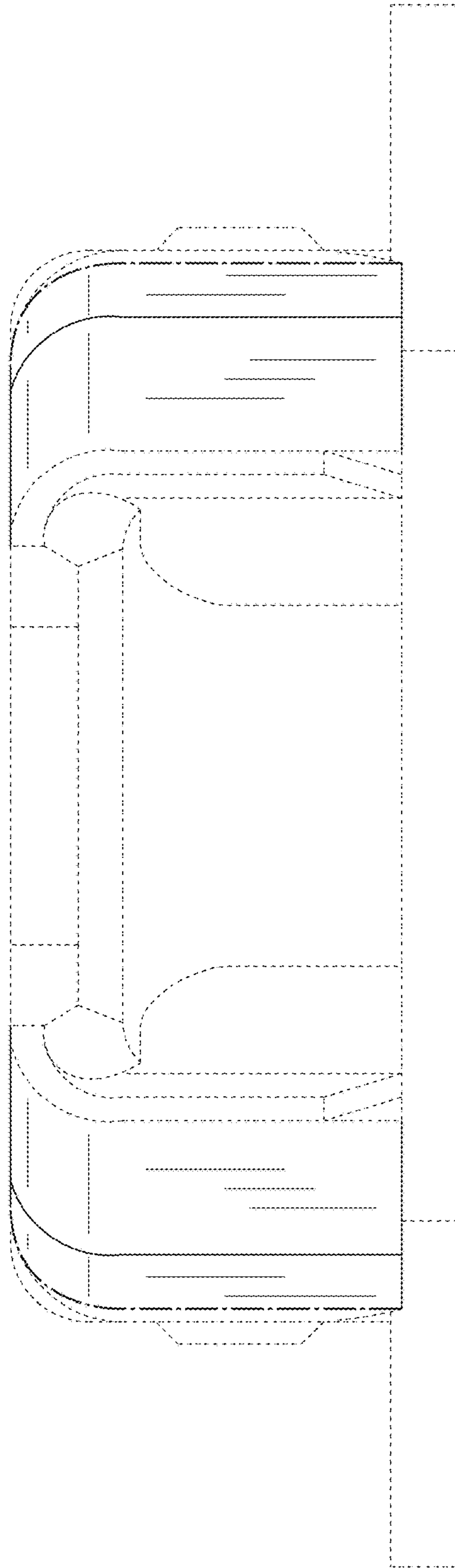


FIG. 12

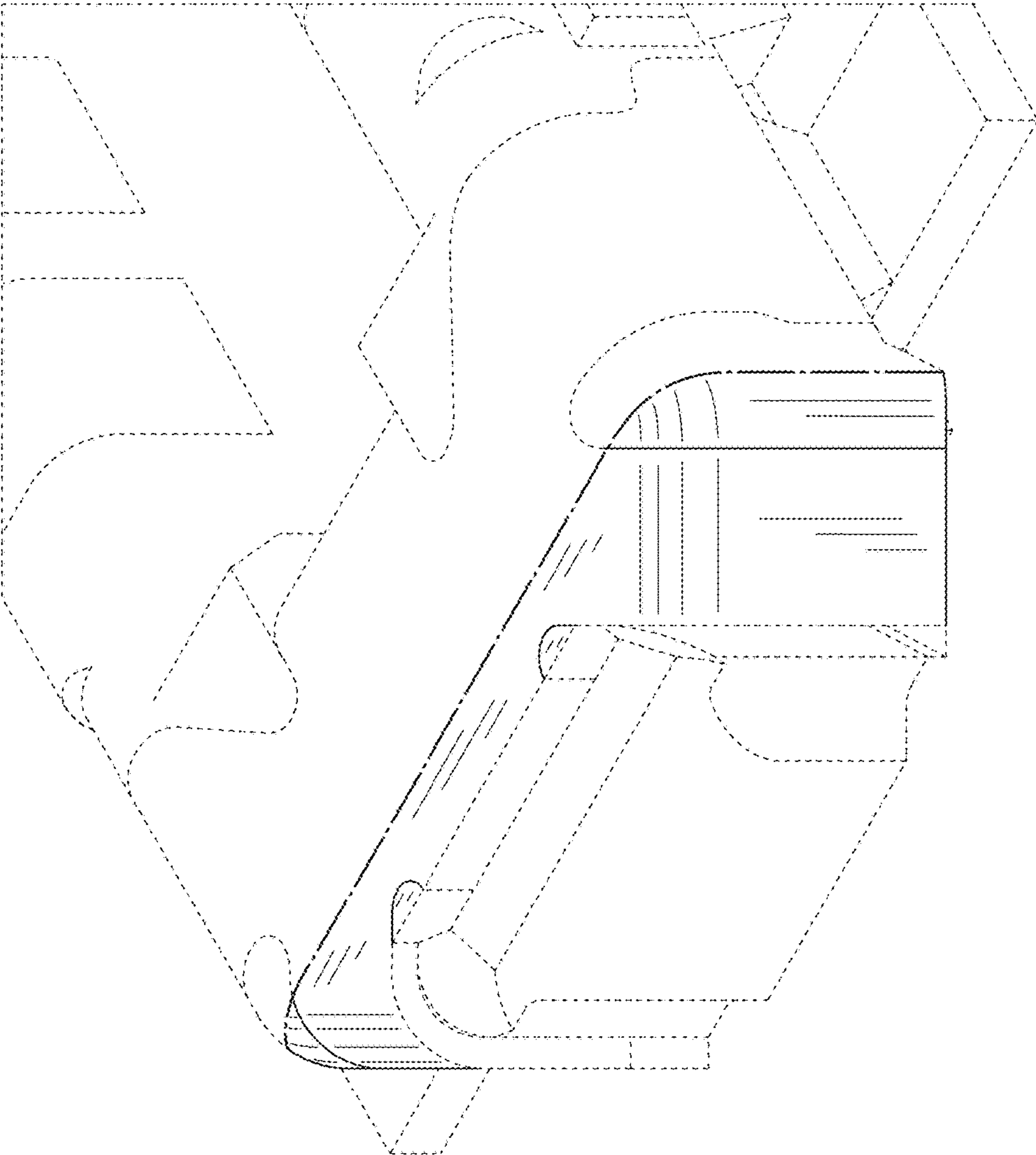


FIG. 13

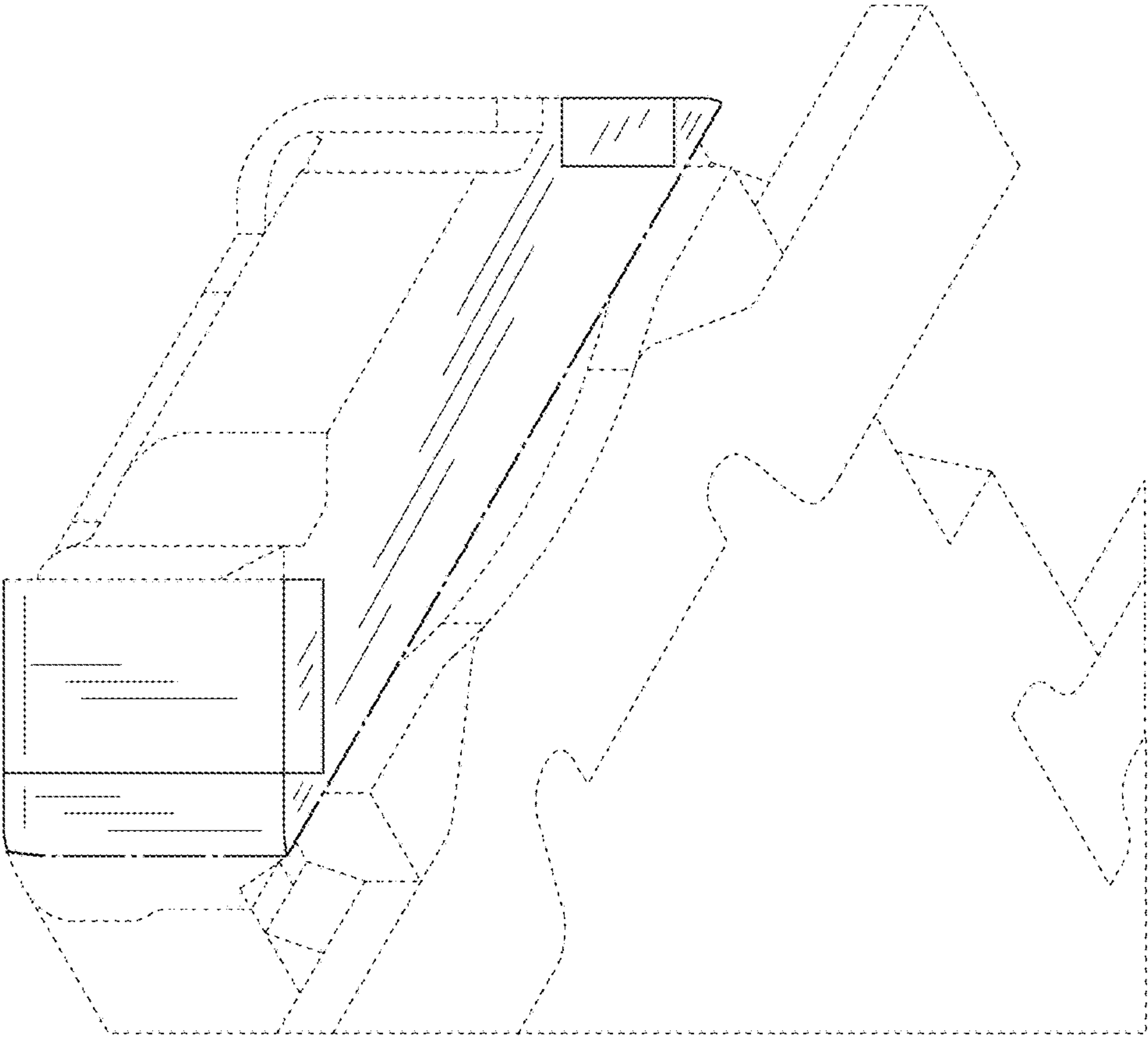


FIG. 14

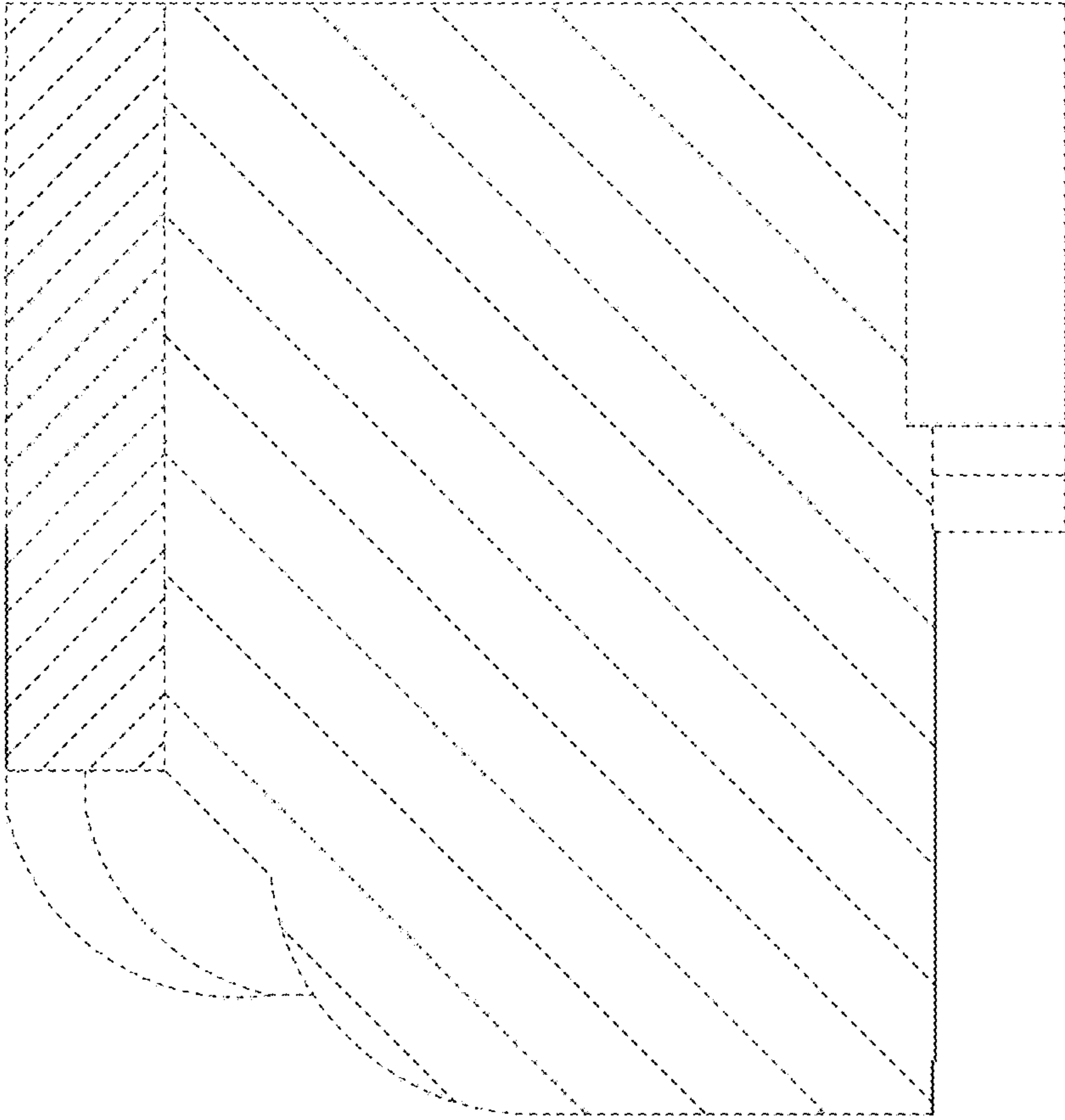


FIG. 15