



US00D834523S

(12) **United States Design Patent** (10) **Patent No.:** **US D834,523 S**
Bingham (45) **Date of Patent:** **** Nov. 27, 2018**

(54) **CONNECTOR**
(71) Applicant: **Molex, LLC**, Lisle, IL (US)
(72) Inventor: **John Bingham**, Plainfield, IL (US)
(73) Assignee: **Molex, LLC**, Lisle, IL (US)
(**) Term: **15 Years**
(21) Appl. No.: **29/593,998**
(22) Filed: **Feb. 14, 2017**
(51) **LOC (11) Cl.** **13-03**
(52) **U.S. Cl.**
USPC **D13/147**
(58) **Field of Classification Search**
USPC D13/110, 118, 120, 123, 133, 145-147,
D13/149, 154, 156, 173, 184, 199
CPC H01R 12/00; H01R 12/51; H01R 12/70;
H01R 12/72; H01R 13/00; H01R 13/15;
H01R 13/62; H01R 13/627; H01R
13/639; H01R 13/64; H01R 13/65; H01R
24/60; H01R 43/16; H01R 9/00; H01R
9/03; H01R 13/52; H01R 13/6581; H01R
13/6583; H01R 13/6585; H01R 24/00;
H01R 24/20; H05K 7/14
See application file for complete search history.

(56) **References Cited**
U.S. PATENT DOCUMENTS
D412,700 S * 8/1999 Gardner D13/147
D451,885 S * 12/2001 Hisatomi D13/147
6,716,068 B2 * 4/2004 Wu H01R 12/7029
439/633
D489,687 S * 5/2004 Kawase D13/147
D561,696 S 2/2008 Chen et al.
D576,556 S 9/2008 Lee et al.
D602,870 S * 10/2009 Wu D13/147
D641,705 S 7/2011 Sato et al.
D678,209 S * 3/2013 Kondo D13/147
D678,843 S 3/2013 Faith

D689,438 S * 9/2013 Yu D13/147
D689,439 S * 9/2013 Yu D13/147
D690,655 S * 10/2013 Fu D13/147
D691,564 S 10/2013 Honda
D696,200 S * 12/2013 Kobuchi D13/147
D703,143 S * 4/2014 Yamaguchi D13/147
D726,119 S * 4/2015 Yamaguchi D13/147
D726,120 S 4/2015 Hou et al.
D733,657 S * 7/2015 Yuan D13/147
D733,659 S * 7/2015 Zhu D13/147
D751,989 S 3/2016 Imai
D764,415 S 8/2016 Qian et al.
D775,084 S 12/2016 Sato et al.
D780,124 S 2/2017 Qian et al.
(Continued)

OTHER PUBLICATIONS

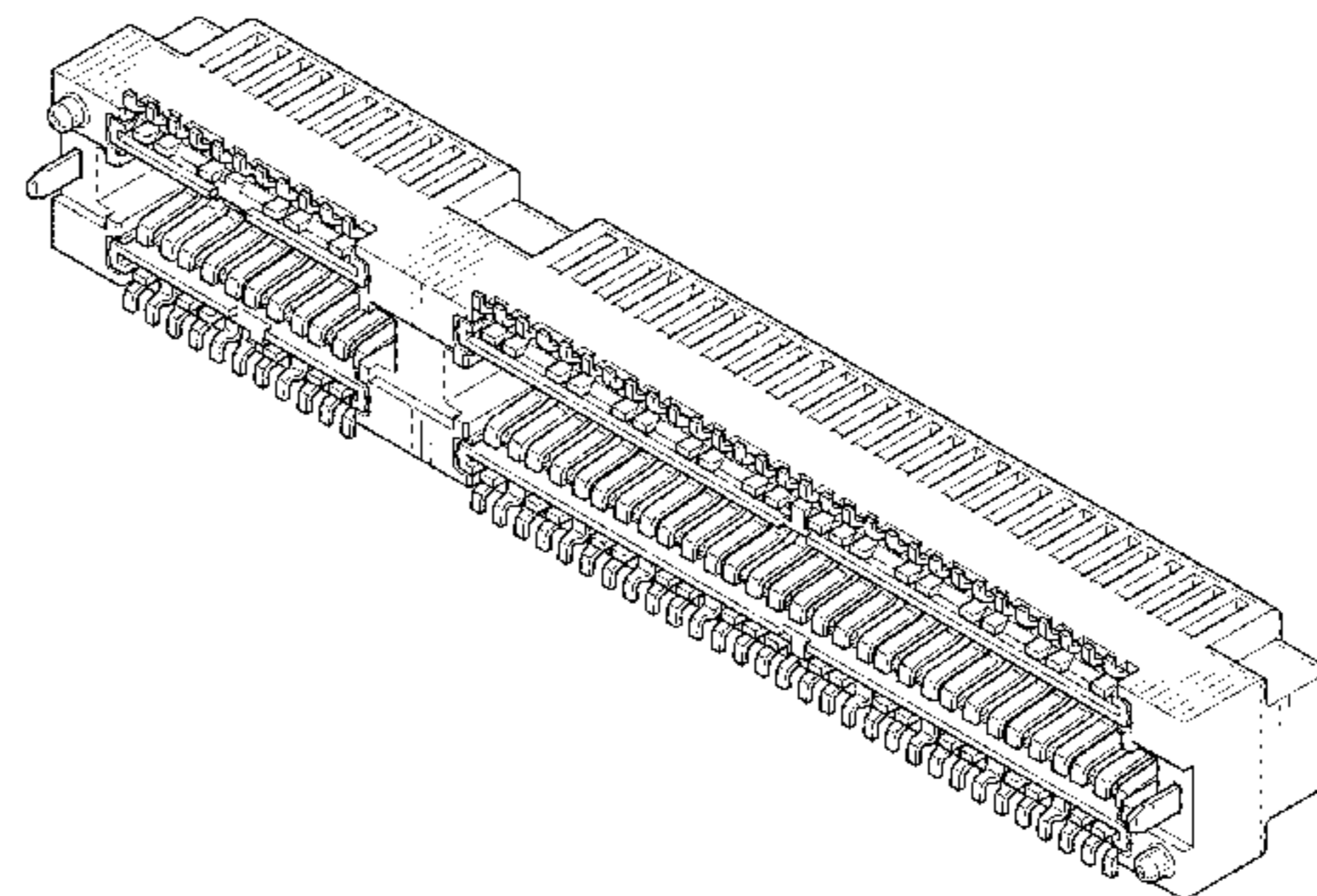
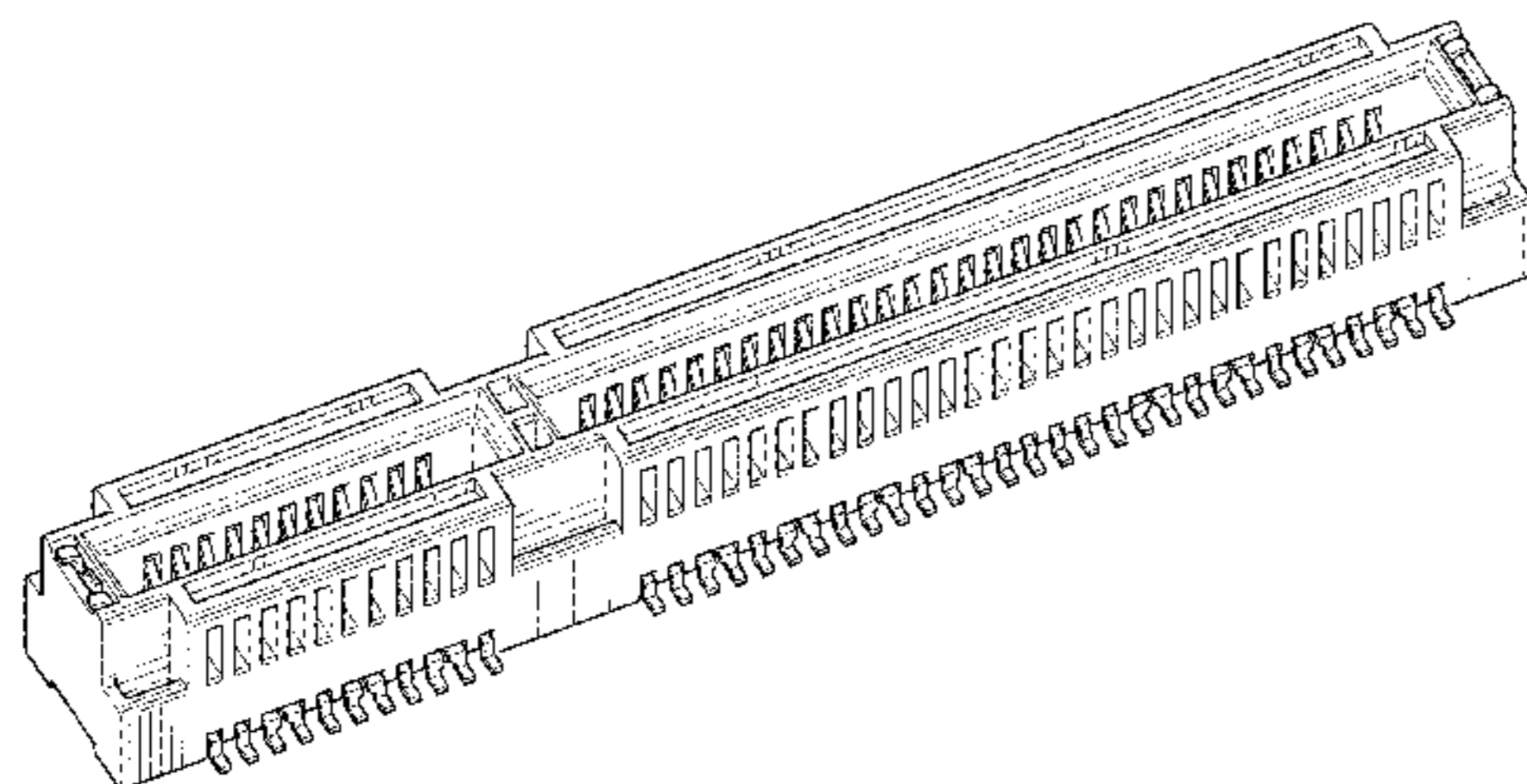
Molex Receptacle Assembly Speedstack Connector, Apr. 24, 2013, Lisle, Illinois, USA (8 Pages).
Primary Examiner — Angela J Lee
Assistant Examiner — Shawn T Gingrich
(74) *Attorney, Agent, or Firm* — Banner & Witcoff, Ltd.

(57) **CLAIM**
The ornamental design for a connector, as shown and described.

DESCRIPTION

FIG. 1 is a front top perspective view of a connector showing my new design;
FIG. 2 is a bottom front perspective view thereof;
FIG. 3 is a front view thereof;
FIG. 4 is a rear view thereof;
FIG. 5 is a top view thereof;
FIG. 6 is a bottom view thereof;
FIG. 7 is a right side view thereof; and,
FIG. 8 is a left side view thereof.
The broken lines depicting the remainder of the connector show features that form no part of the claimed design.

1 Claim, 8 Drawing Sheets



(56)

References Cited

U.S. PATENT DOCUMENTS

D798,239	S	9/2017	Ashibu	
9,985,370	B2 *	5/2018	Asanuma	H01R 12/774
D827,581	S *	9/2018	Ho	D13/147
2003/0224654	A1 *	12/2003	Wu	H01R 12/7047
				439/573
2008/0207058	A1 *	8/2008	Zhu	H01R 13/6456
				439/633
2011/0086552	A1 *	4/2011	Yao	H01R 13/506
				439/633
2012/0094542	A1 *	4/2012	Duenas	H01R 13/6471
				439/630
2012/0135618	A1 *	5/2012	Shen	H01R 12/721
				439/152
2016/0190746	A1 *	6/2016	Goh	H01R 13/6471
				439/626
2017/0201052	A1	7/2017	Peng et al.	
2017/0207565	A1	7/2017	Guo et al.	
2017/0346238	A1	11/2017	Ju et al.	
2017/0365951	A1	12/2017	Zhang et al.	
2017/0373408	A1	12/2017	Cheng et al.	
2017/0373439	A1	12/2017	Wen et al.	
2017/0373441	A1	12/2017	Zhao et al.	

* cited by examiner

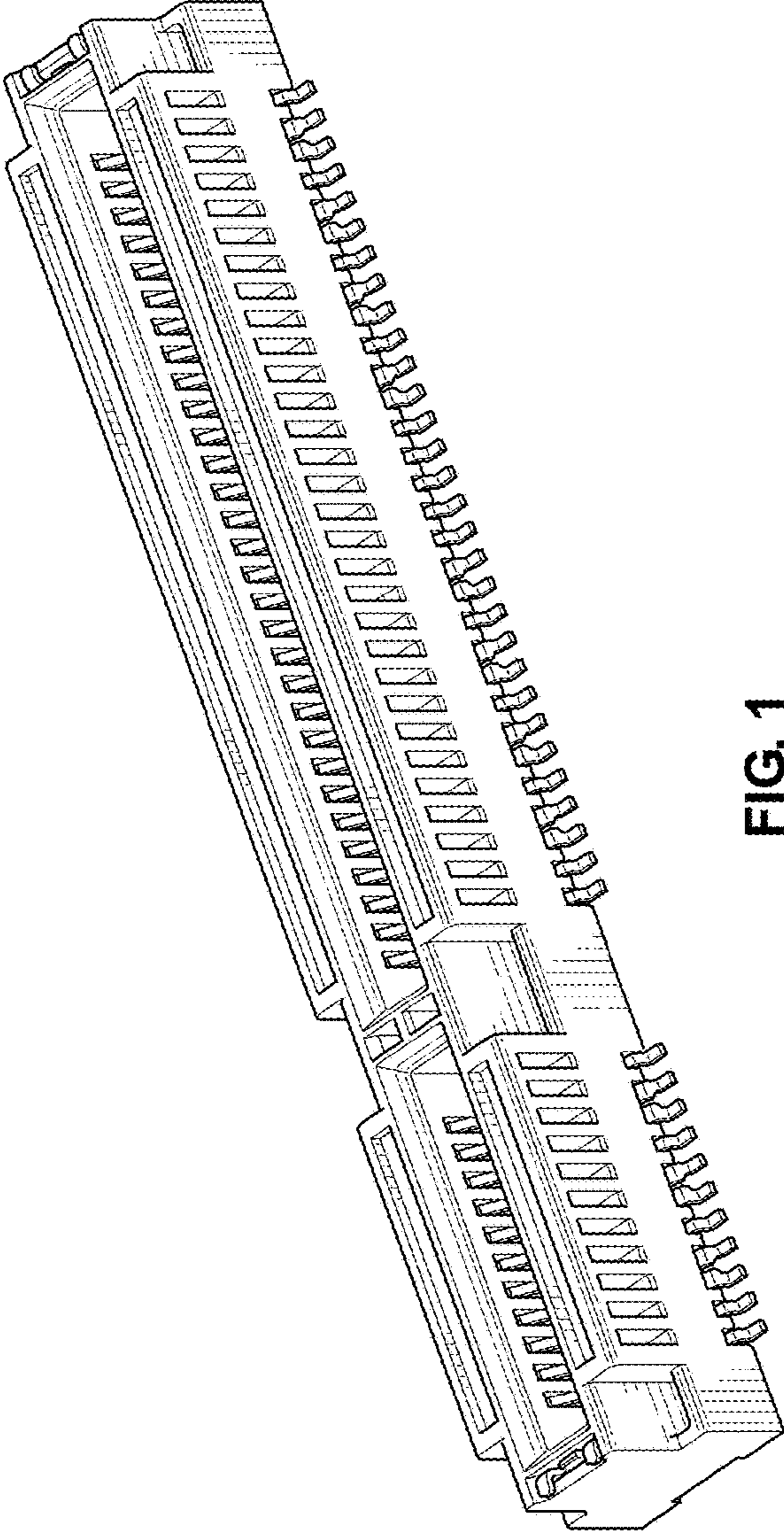


FIG. 1

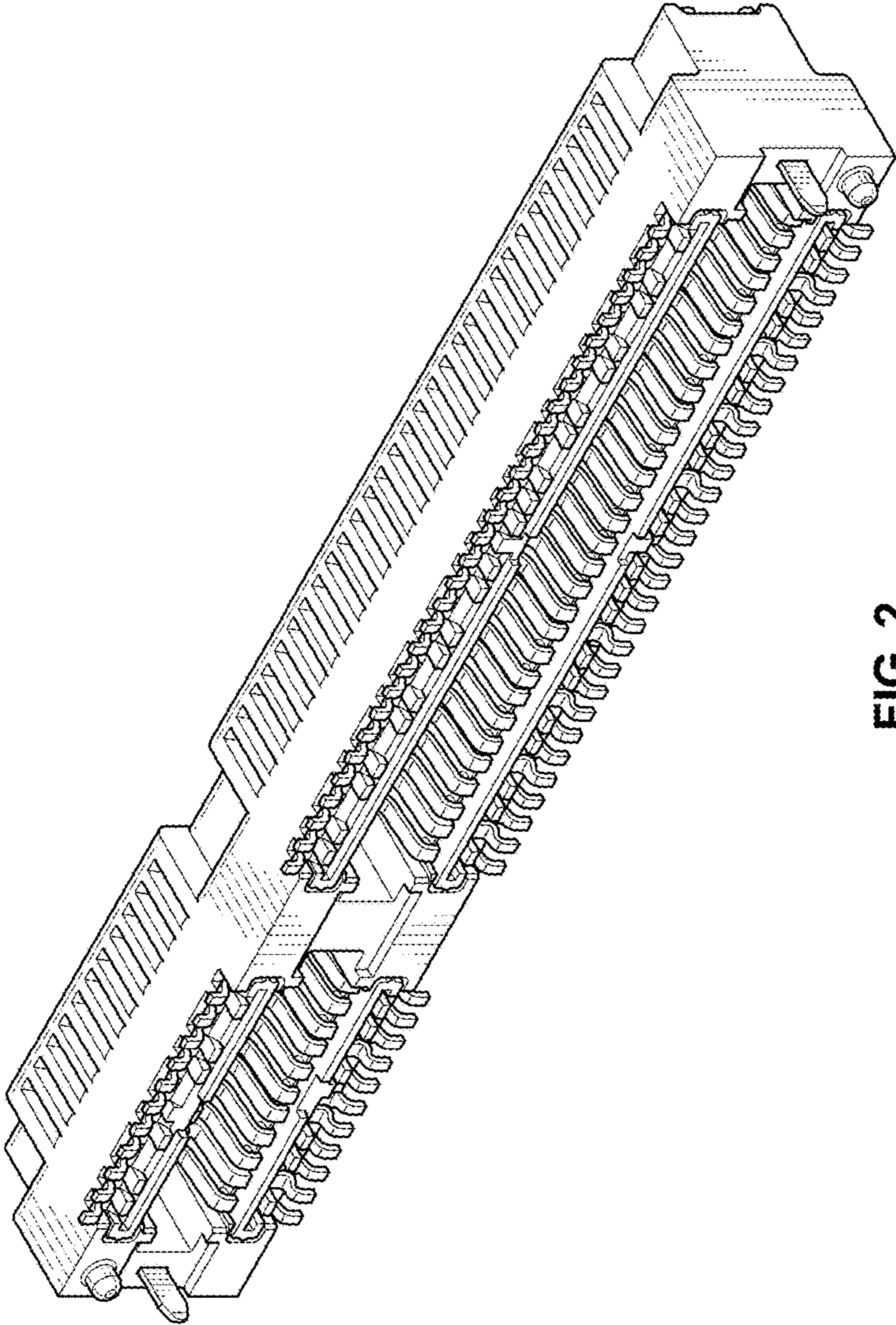


FIG. 2

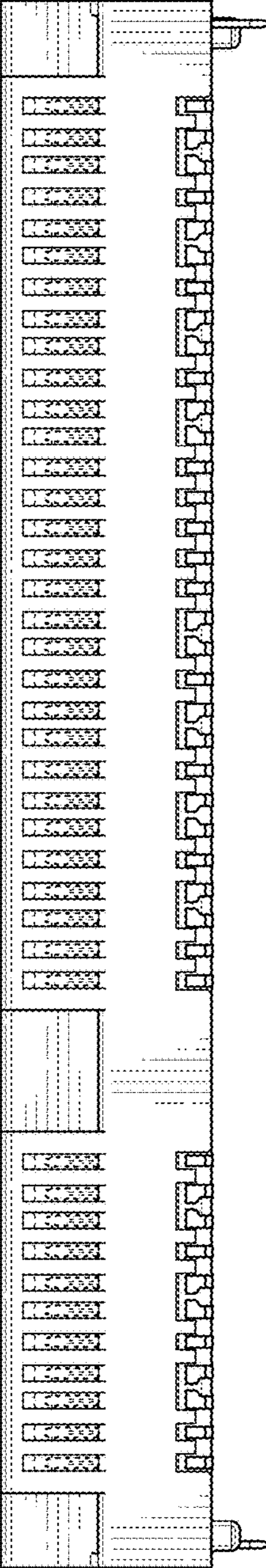


FIG. 3

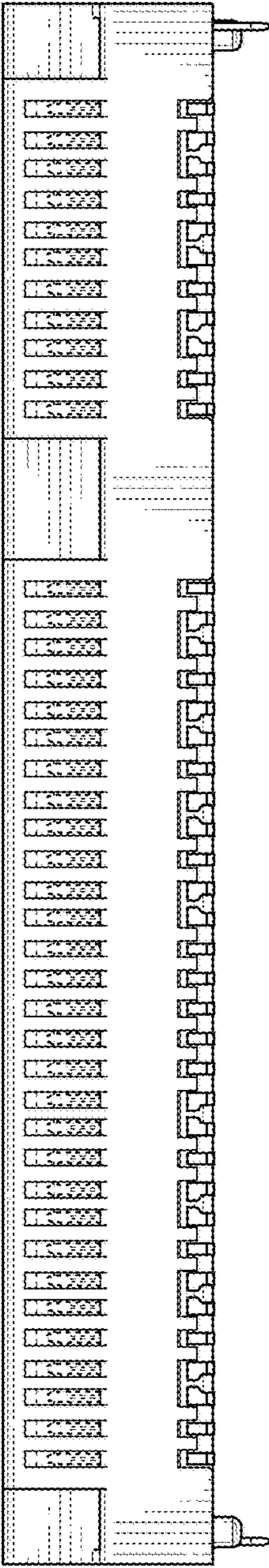


FIG. 4

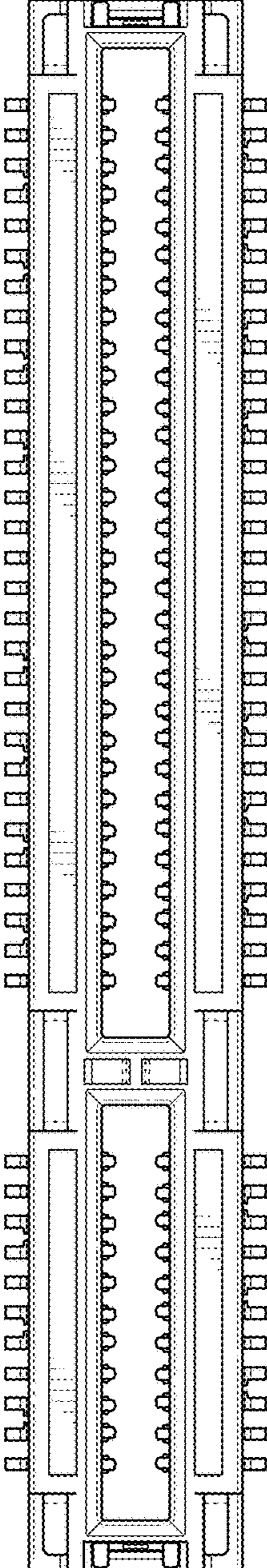


FIG. 5

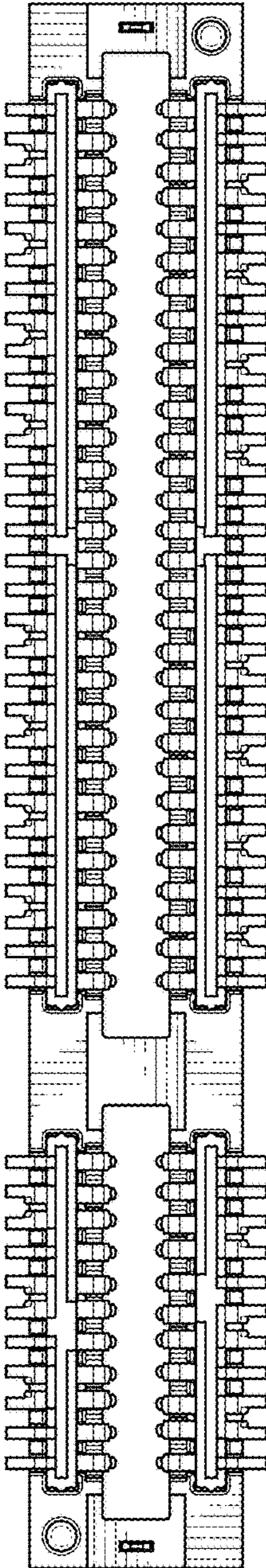


FIG. 6

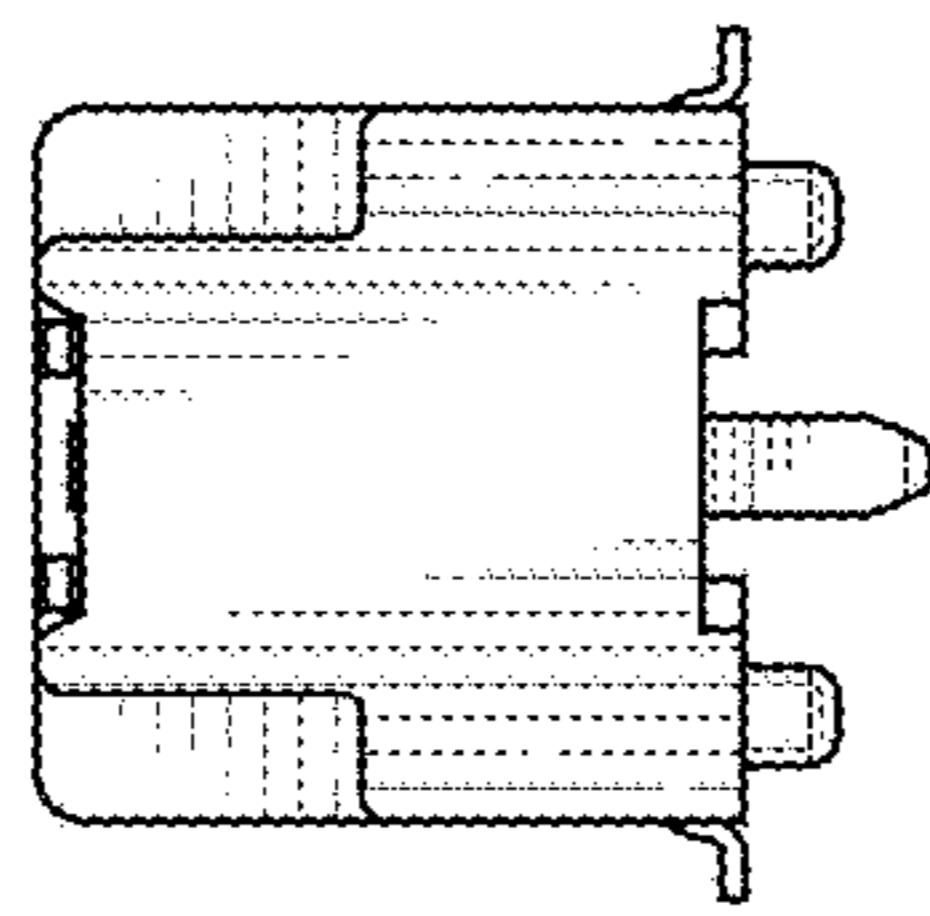


FIG. 7

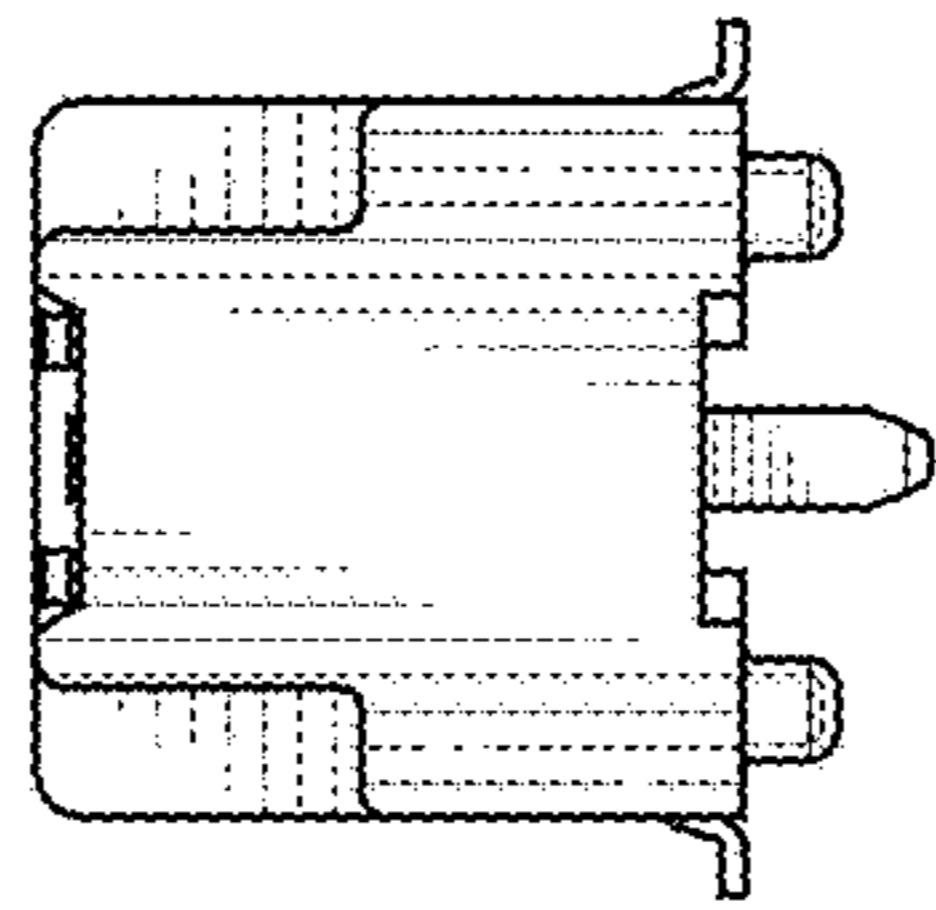


FIG. 8