



US00D834522S

(12) **United States Design Patent** (10) **Patent No.:** **US D834,522 S**
Gou (45) **Date of Patent:** **** Nov. 27, 2018**

(54) **CAR HAMMER CHARGER** 7,294,022 B1 * 11/2007 Cheng H01R 13/70
200/530
(71) Applicant: **Shenzhen Judean Intelligent** D626,072 S * 10/2010 Tseng D13/144
Technology Co., Ltd, Shenzhen (CN) 7,937,040 B2 * 5/2011 Dayan H04B 1/034
381/2

(72) Inventor: **Hairong Gou, Mianyang (CN)**

(**) Term: **15 Years**

(21) Appl. No.: **29/615,142**

(22) Filed: **Aug. 25, 2017**

(51) **LOC (11) Cl.** **13-03**

(52) **U.S. Cl.**
USPC **D13/144**

(58) **Field of Classification Search**
USPC D13/144, 107, 110, 118, 119, 120, 133,
D13/154, 184, 199; D14/155, 217, 433;
320/65, 107, 108, 109; 363/13, 146;
439/300, 620, 638, 668, 669, 675, 825;
D22/115, 116

CPC H01R 24/58; H01R 2201/26; H01R 31/02
See application file for complete search history.

(56) **References Cited**

U.S. PATENT DOCUMENTS

D212,005 S *	8/1968	Roberts	D14/155
5,201,677 A *	4/1993	Takayama	B60N 3/14
				439/620.31
5,387,136 A *	2/1995	Britton	H01R 24/20
				439/353
5,431,585 A *	7/1995	Fan	H01R 24/58
				439/34
D406,261 S *	3/1999	Kettula	D13/107
6,224,244 B1 *	5/2001	Burys	B60N 3/14
				362/23.18
D495,656 S *	9/2004	Faunce	D13/107
D524,285 S *	7/2006	Dayan	D14/155
D537,776 S *	3/2007	Navarrez	D13/110
D541,742 S *	5/2007	Hussaini	D13/110

OTHER PUBLICATIONS

Amazon.com. Innaper Car Charger with Hammer. Date first available: May 15, 2015. Date accessed: Jun. 23, 2018. https://www.amazon.com/Charger-Emergency-INNAPER-Stainless-aluminum/dp/B01GPA2X94/ref=sr_1_1?ie=UTF8&qid=1530379254&sr=8-1&keywords=B01GPA2X94.*

* cited by examiner

Primary Examiner — Derrick Holland
Assistant Examiner — Jennifer O King
(74) *Attorney, Agent, or Firm* — Wayne & King LLC

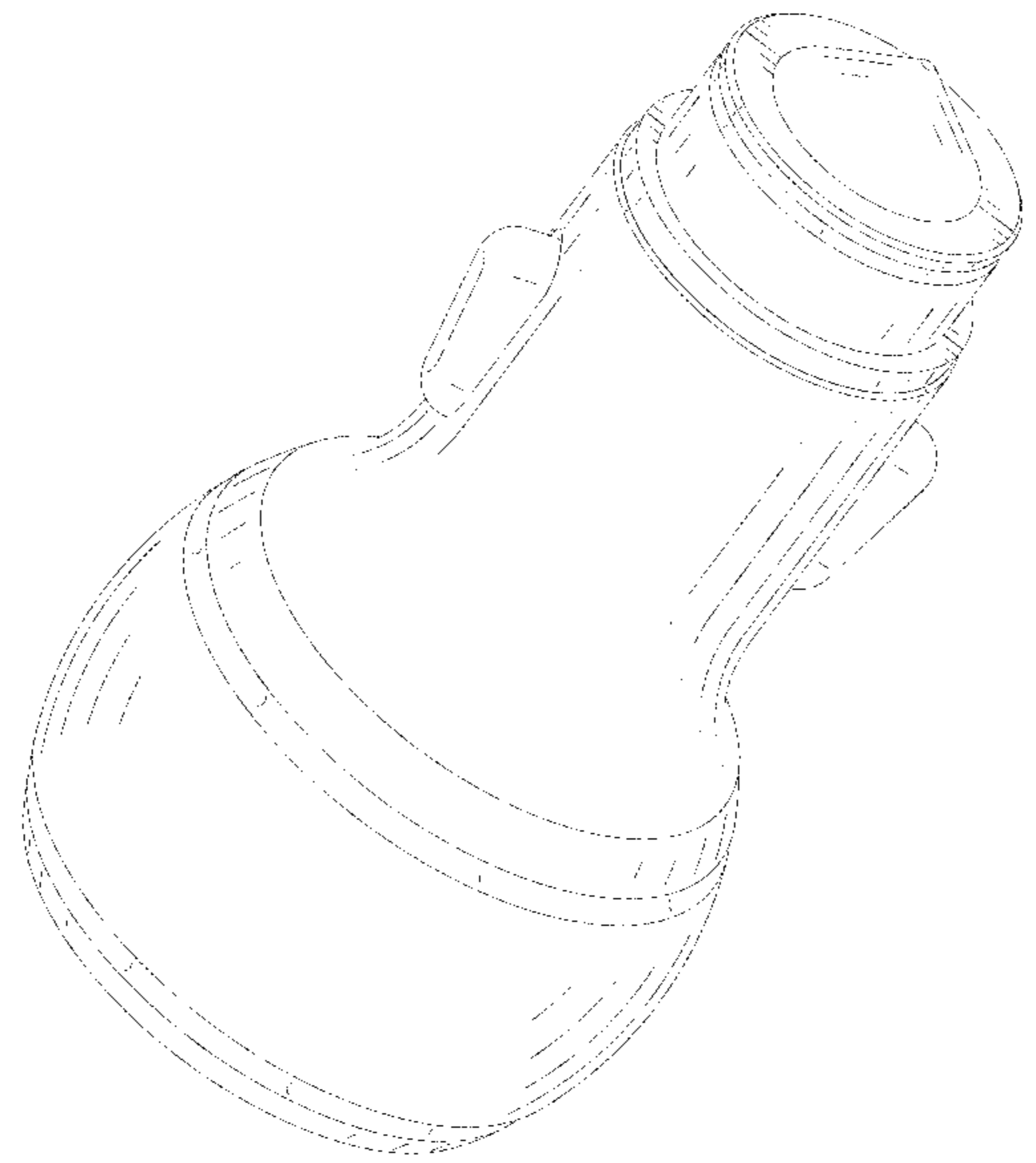
(57) **CLAIM**

The ornamental design of a car hammer charger, as shown and described.

DESCRIPTION

FIG. 1 is a perspective view of a car hammer charger, showing my new design.
FIG. 2 is a another perspective view thereof.
FIG. 3 is a front view thereof.
FIG. 4 is a rear view thereof.
FIG. 5 is a left side end view thereof.
FIG. 6 is a right side end view thereof.
FIG. 7 is a top view thereof; and,
FIG. 8 is a bottom view thereof.
The broken lines in the drawings represent portions of the car hammer charger that form no part of the claimed design.

1 Claim, 8 Drawing Sheets



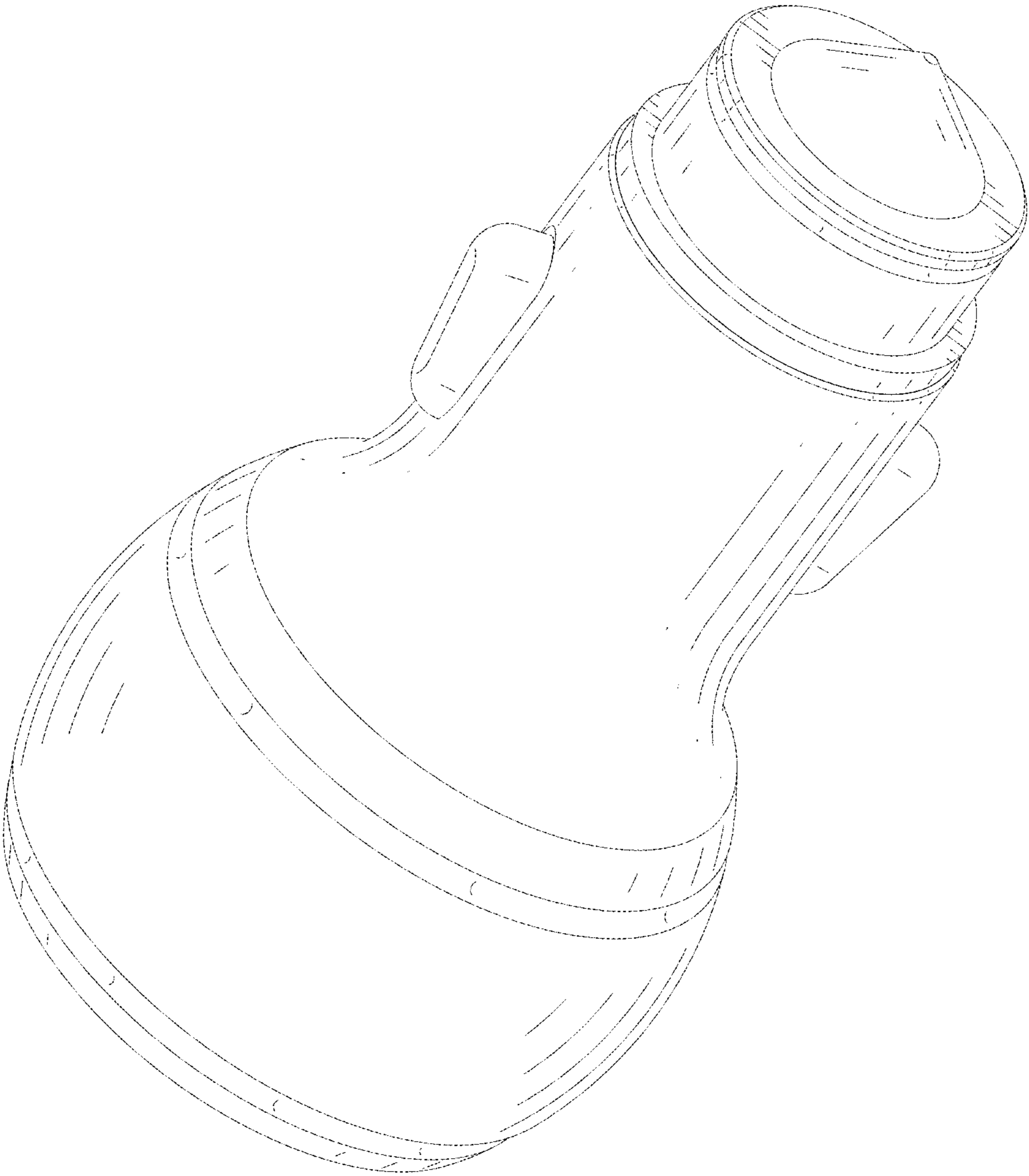


FIG.1

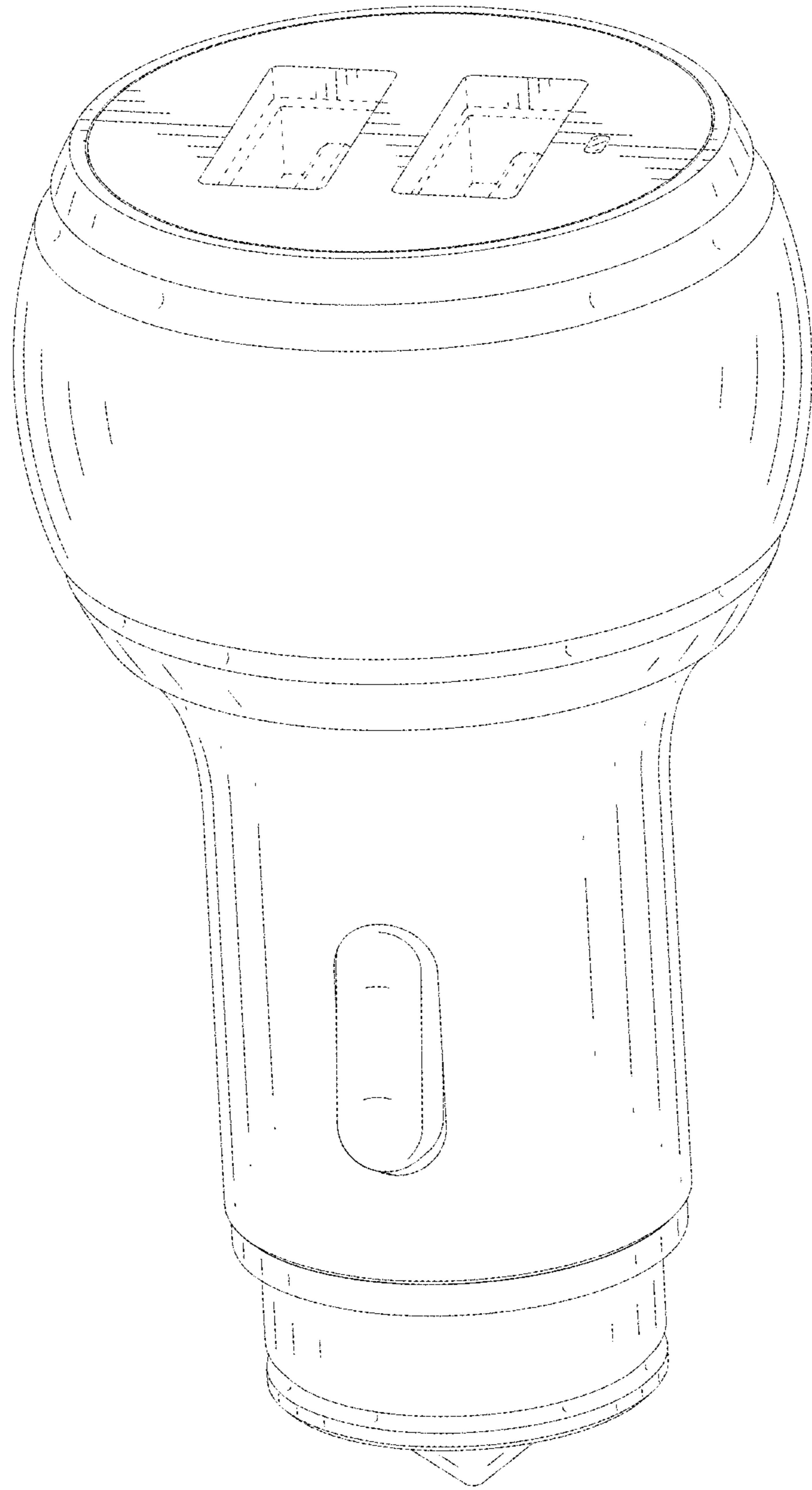


FIG.2

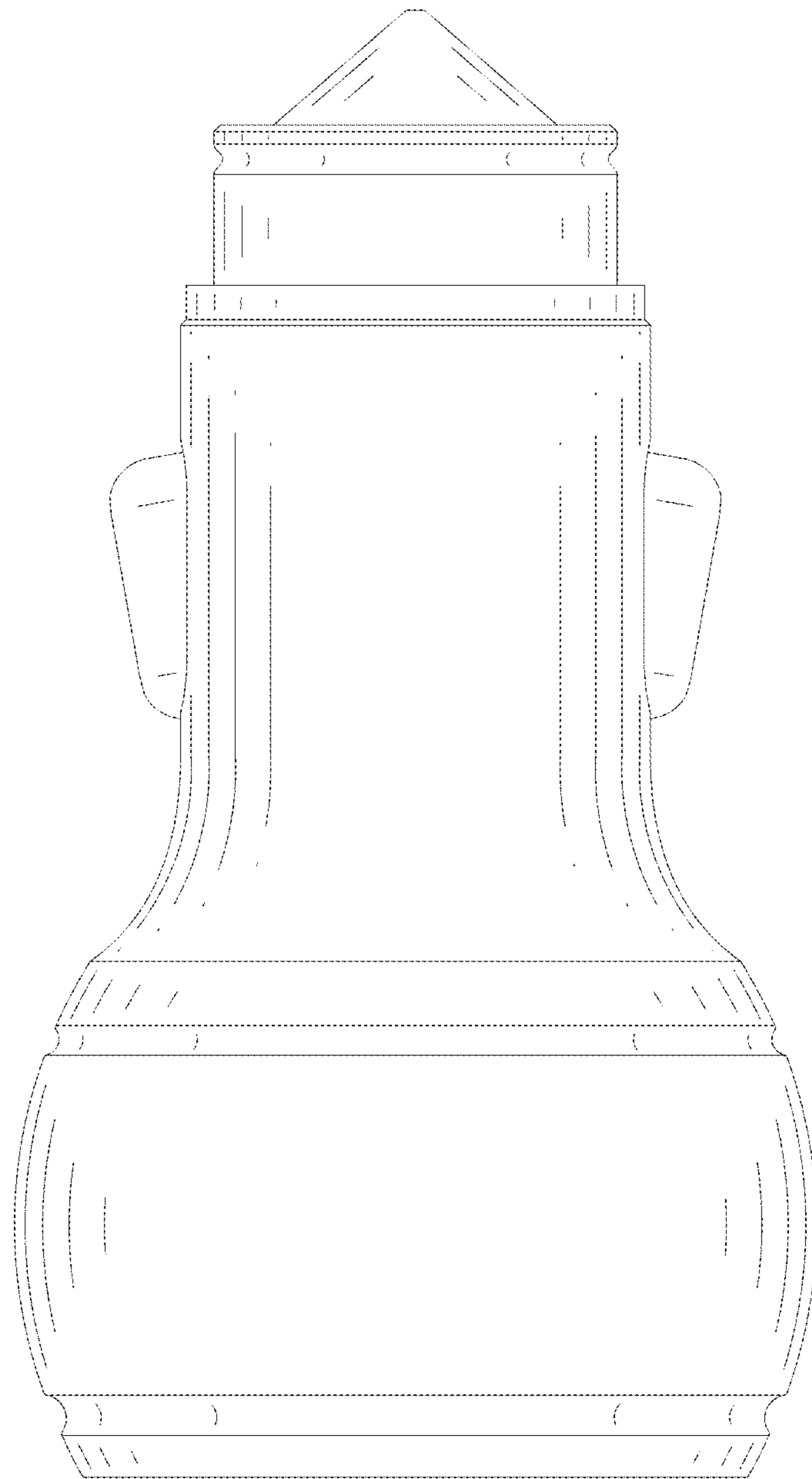


FIG.3

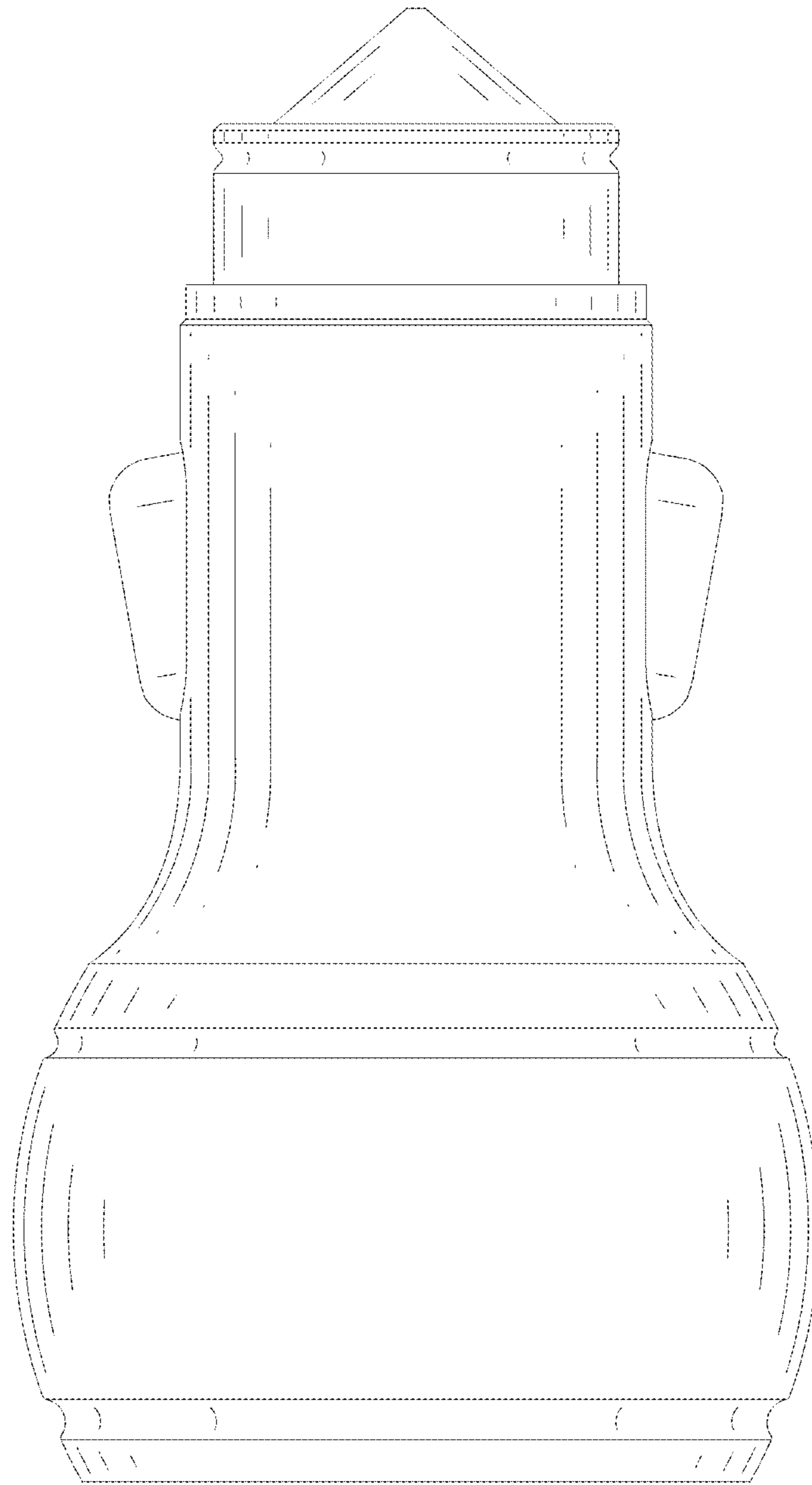


FIG.4

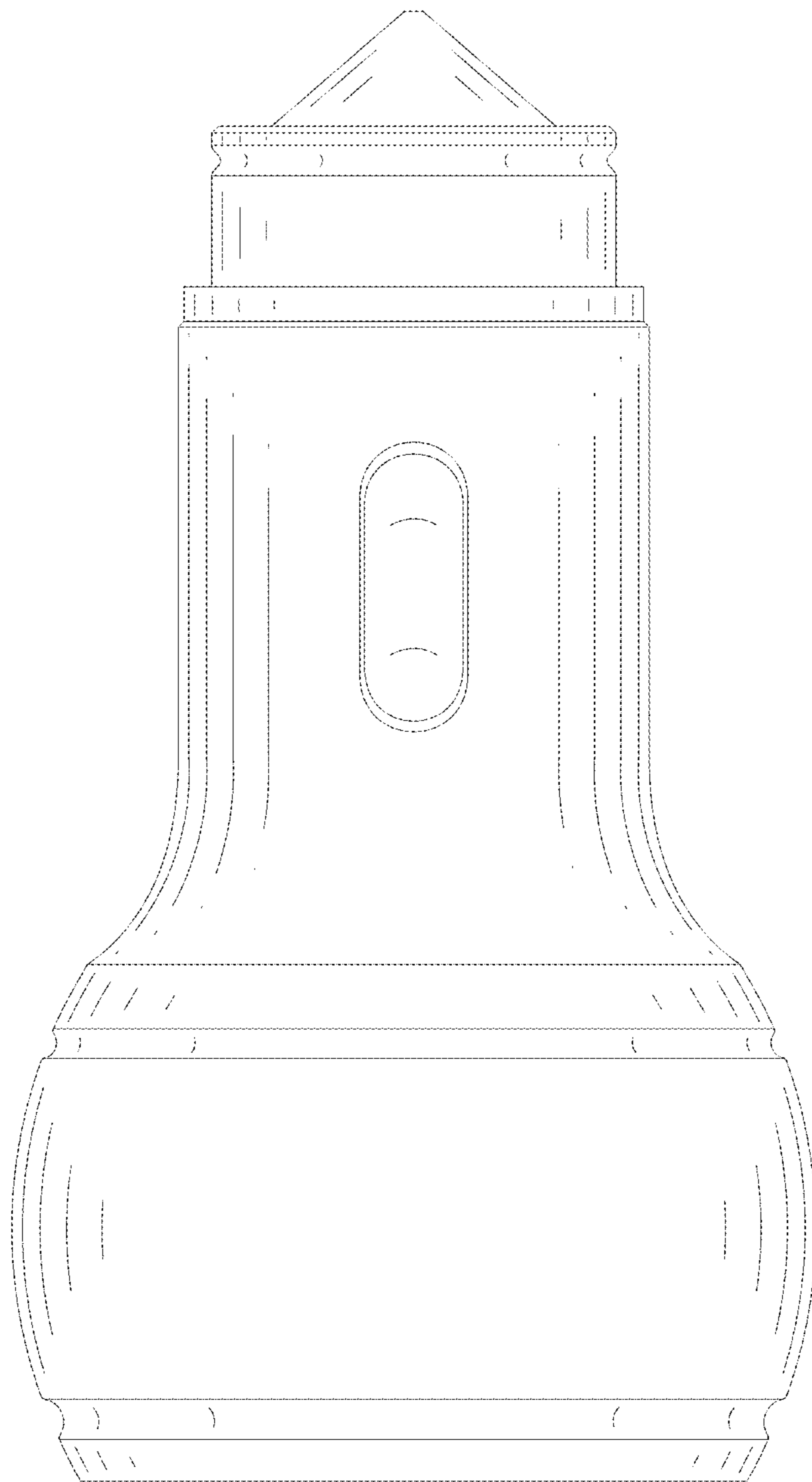


FIG.5

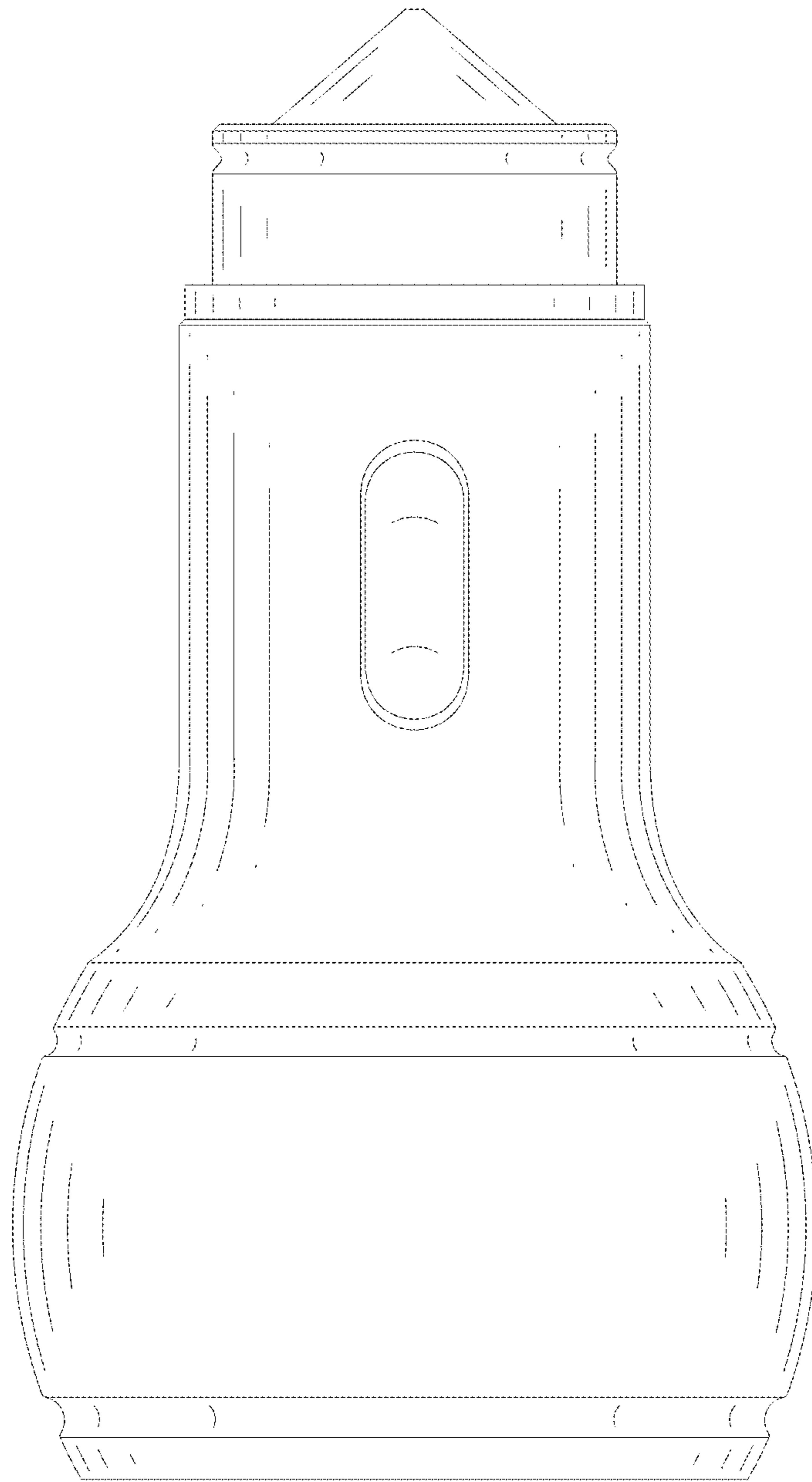


FIG.6

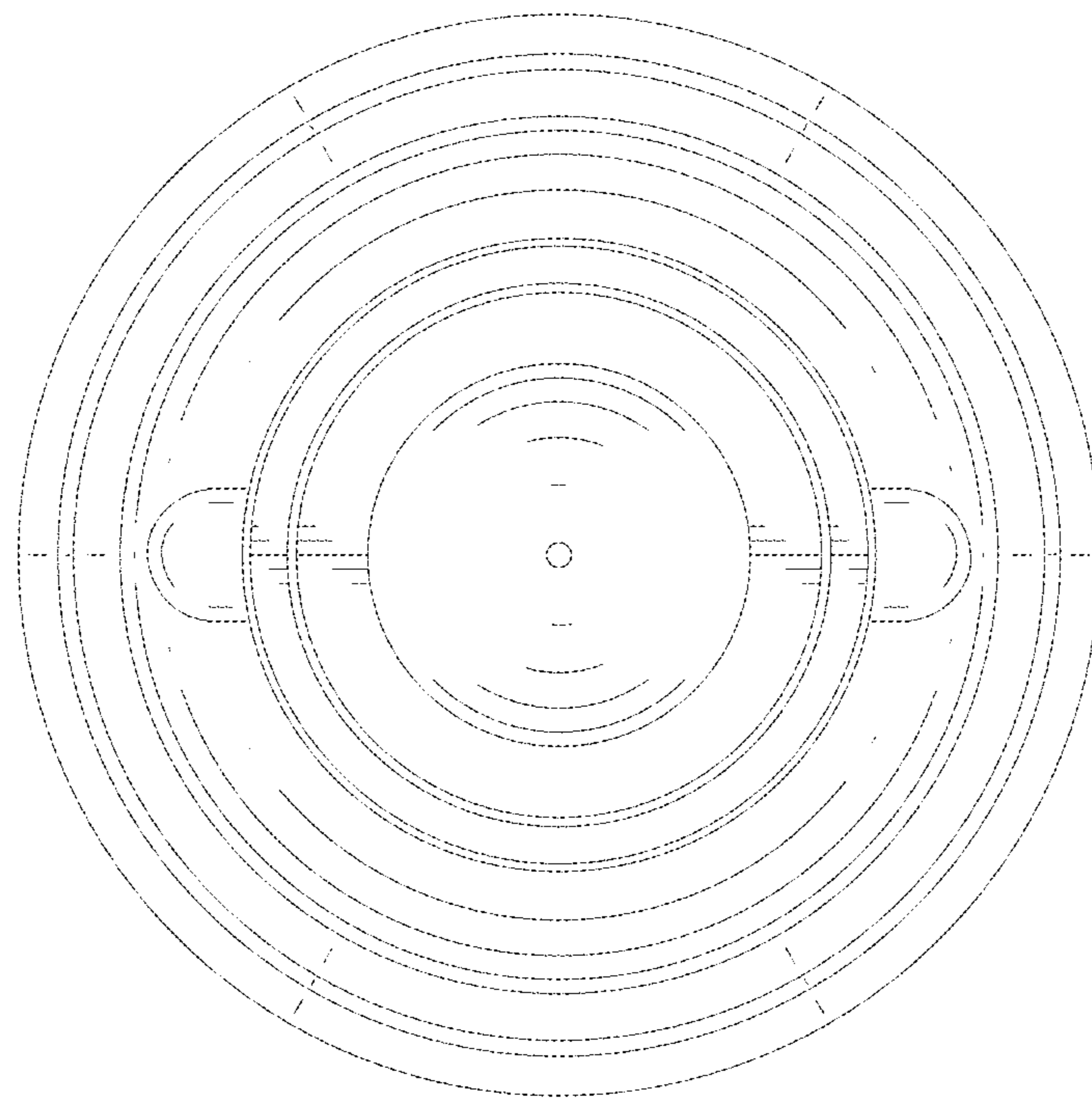


FIG.7

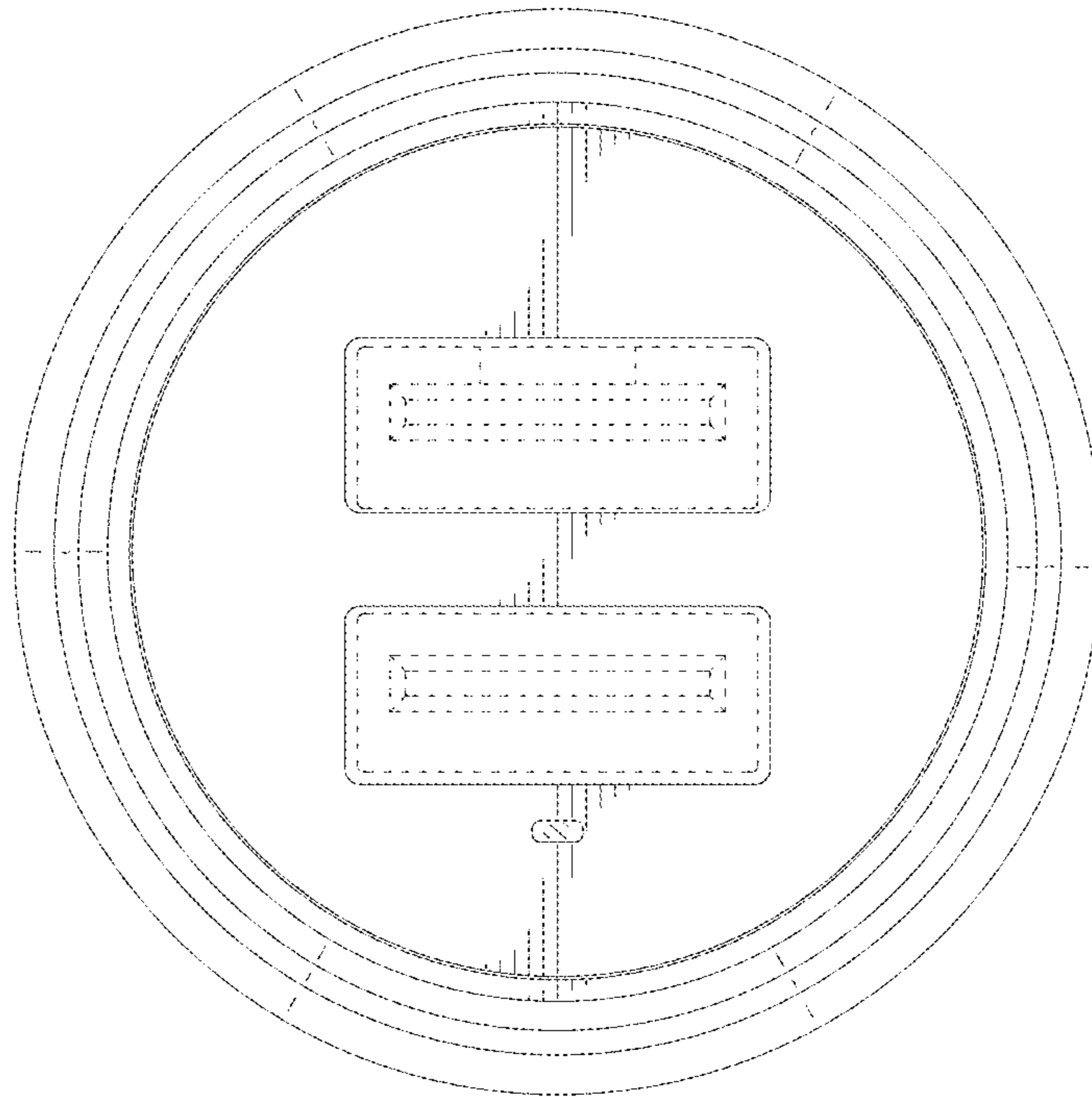


FIG.8