



US00D834521S

(12) **United States Design Patent** (10) **Patent No.:** **US D834,521 S**
Wang (45) **Date of Patent:** **** Nov. 27, 2018**

(54) **CAR CHARGER**

(71) Applicant: **Liyong Wang**, Weifang (CN)

(72) Inventor: **Liyong Wang**, Weifang (CN)

(**) Term: **15 Years**

(21) Appl. No.: **29/597,975**

(22) Filed: **Mar. 22, 2017**

(51) **LOC (11) Cl.** **13-03**

(52) **U.S. Cl.**
USPC **D13/144**

(58) **Field of Classification Search**
USPC D13/144, 107, 110, 118, 119, 120, 133,
D13/154, 184, 199; D14/155, 217, 433;
320/65, 107, 108, 109; 363/13, 146;
439/300, 620, 638, 668, 669, 675, 825
CPC H01R 24/58; H01R 2201/26; B60N 3/14;
B60R 2011/005

See application file for complete search history.

(56) **References Cited**

U.S. PATENT DOCUMENTS

D243,537 S *	3/1977	Wahl	D14/155
5,131,870 A *	7/1992	El-Haj	F23Q 7/00 439/638
D481,355 S *	10/2003	Lee	D13/108
D516,533 S *	3/2006	Cohen	D13/144
D541,254 S *	4/2007	Dayan	D14/155
D626,507 S *	11/2010	Riede	D13/144
D641,342 S *	7/2011	Chang	D13/144
D654,436 S *	2/2012	Cheng	D13/144
D691,954 S *	10/2013	Lee	D13/144

D778,822 S *	2/2017	Broadhurst, IV	D13/107
2008/0015717 A1 *	1/2008	Griffin, Jr.	H02J 7/0042 700/94
2009/0186581 A1 *	7/2009	Griffin, Jr.	H04M 1/6091 455/41.3

OTHER PUBLICATIONS

Amazon.com. Iclever Wireless Bluetooth Transmitter. https://www.amazon.com/gp/product/B015MGRO64/ref=as_at/?imprToken=YLs9pLja4cWoVdMiZ.ppfA&slotNum=9&ie=UTF8&camp=1789&creative=390957&creativeASIN=B015MGRO64&linkCode=w61&tag=mp3playeradvisortxt-20&linkId=7J2JPERFQEWS7RNA. date: Nov. 20, 2015. date accessed: Apr. 11, 2018.*

* cited by examiner

Primary Examiner — Derrick E Holland
Assistant Examiner — Jennifer O King

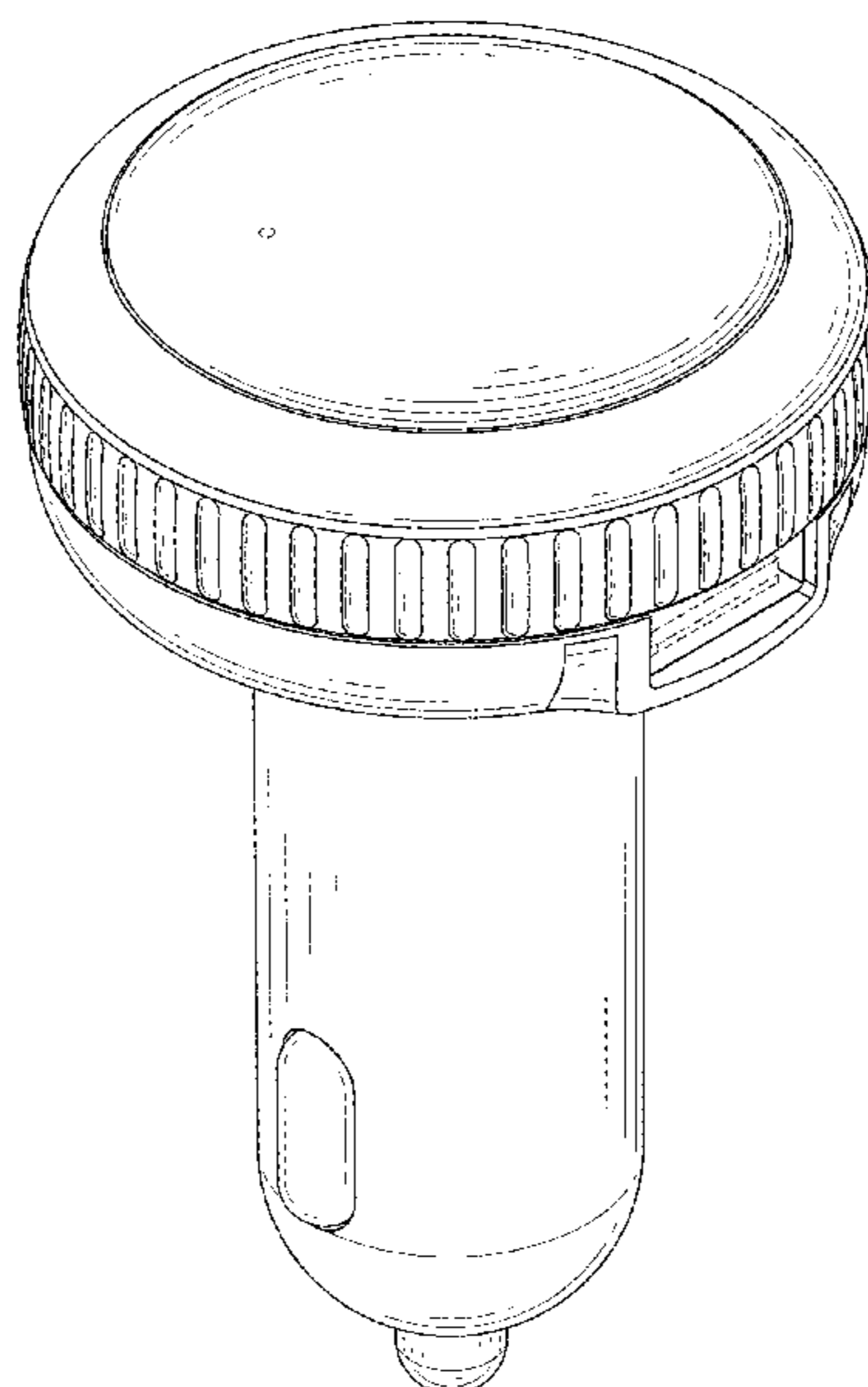
(57) **CLAIM**

The ornamental design for a car charger, as shown and described.

DESCRIPTION

FIG. 1 is a perspective view of a car charger showing my new design;
FIG. 2 is another aspect another perspective view thereof;
FIG. 3 is a front elevational view thereof;
FIG. 4 is a rear elevational view thereof;
FIG. 5 is a left side elevational view thereof;
FIG. 6 is a right side elevational view thereof;
FIG. 7 is a top plan view thereof; and,
FIG. 8 is a bottom plan view thereof.
The broken lines shown illustrate portions of the car charger that form no part of the claimed design.

1 Claim, 8 Drawing Sheets



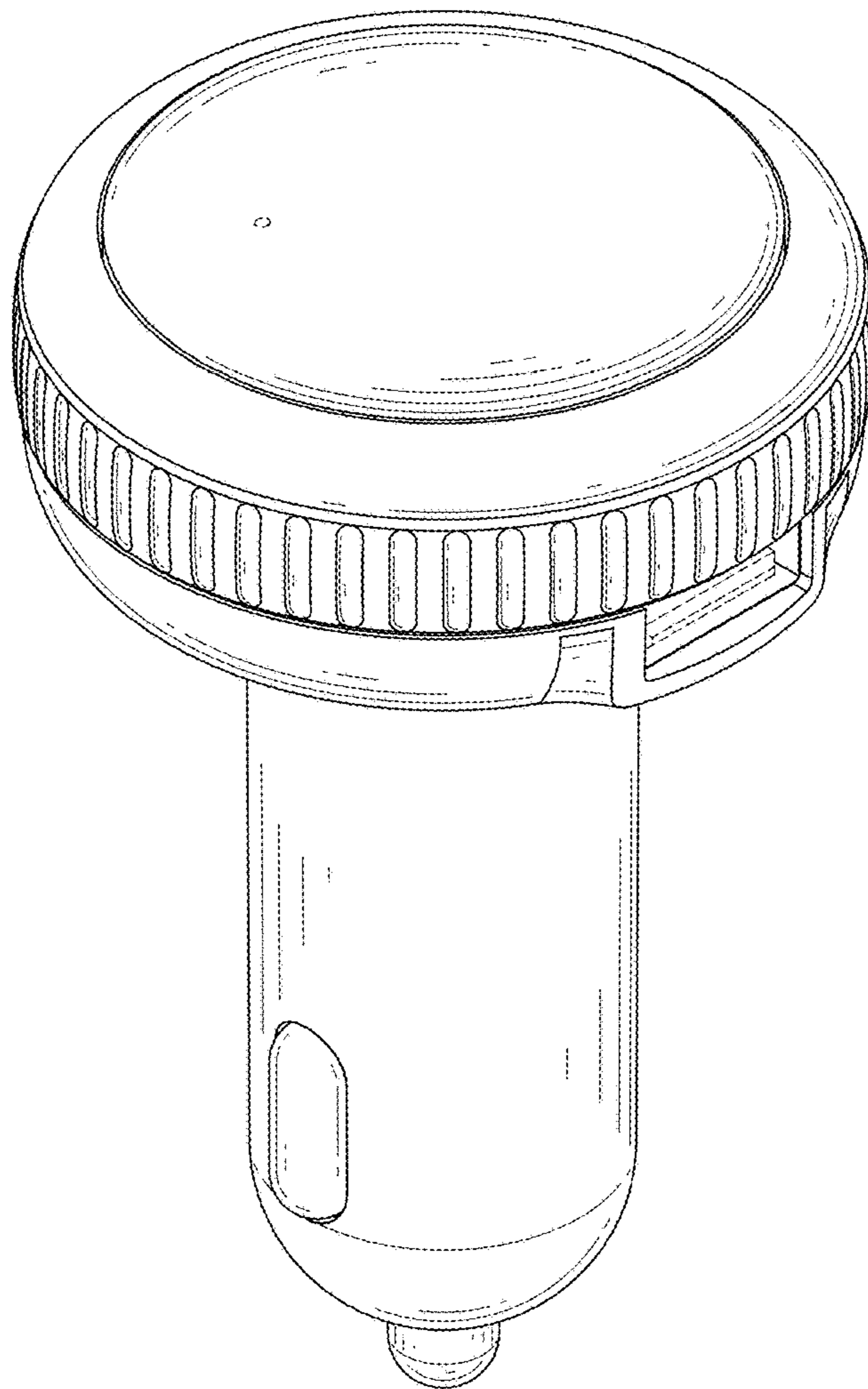


FIG. 1

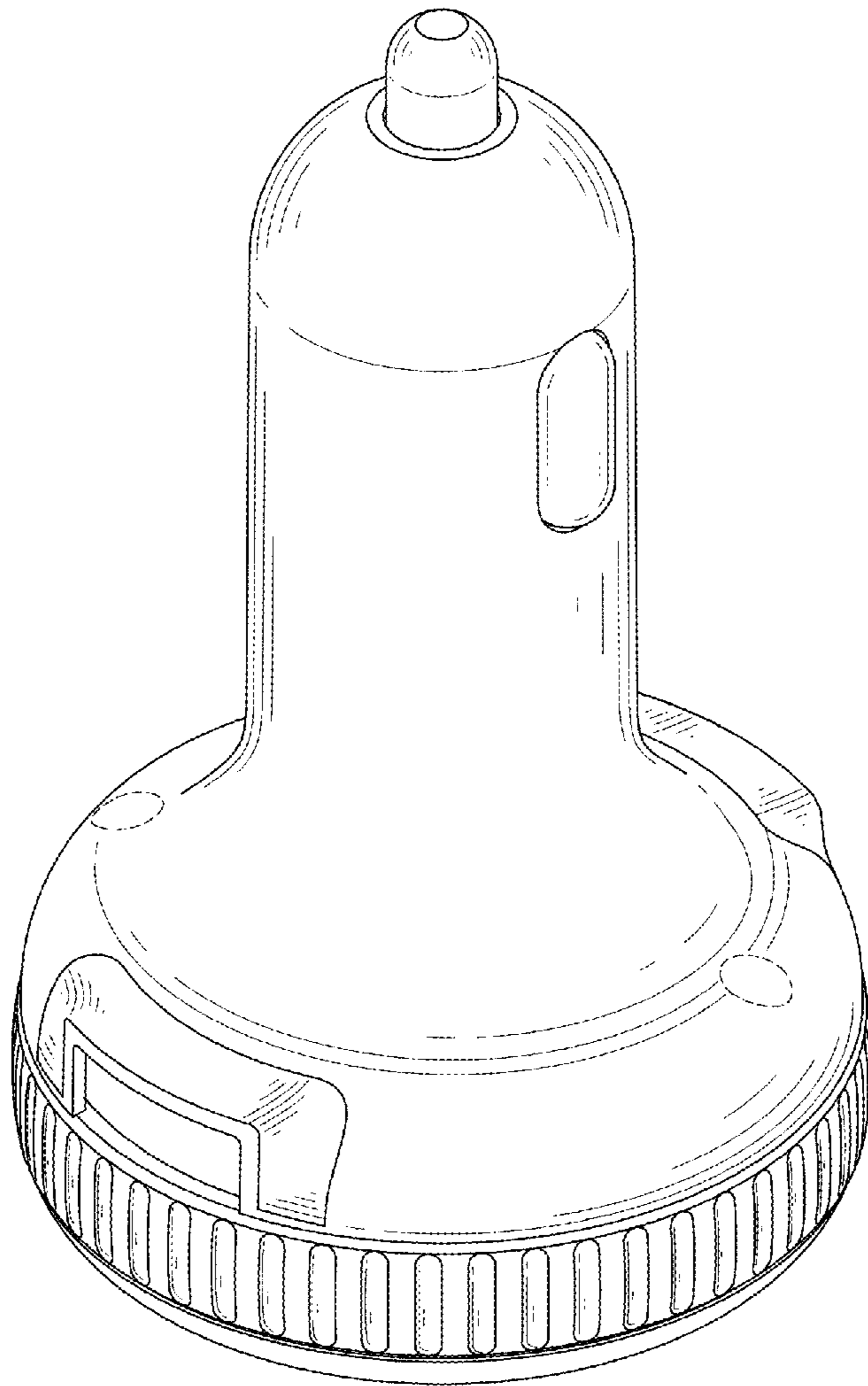


FIG. 2

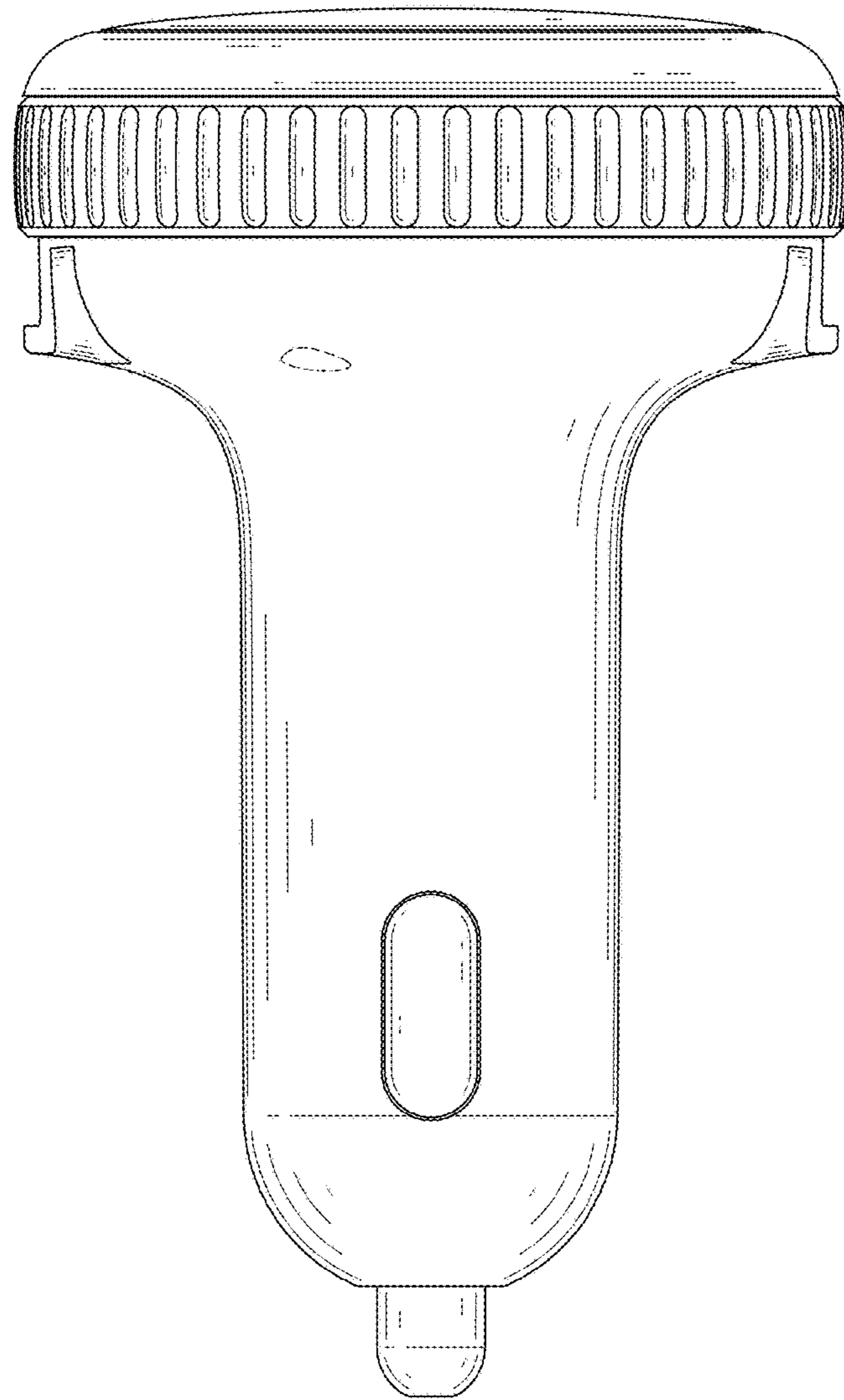


FIG. 3

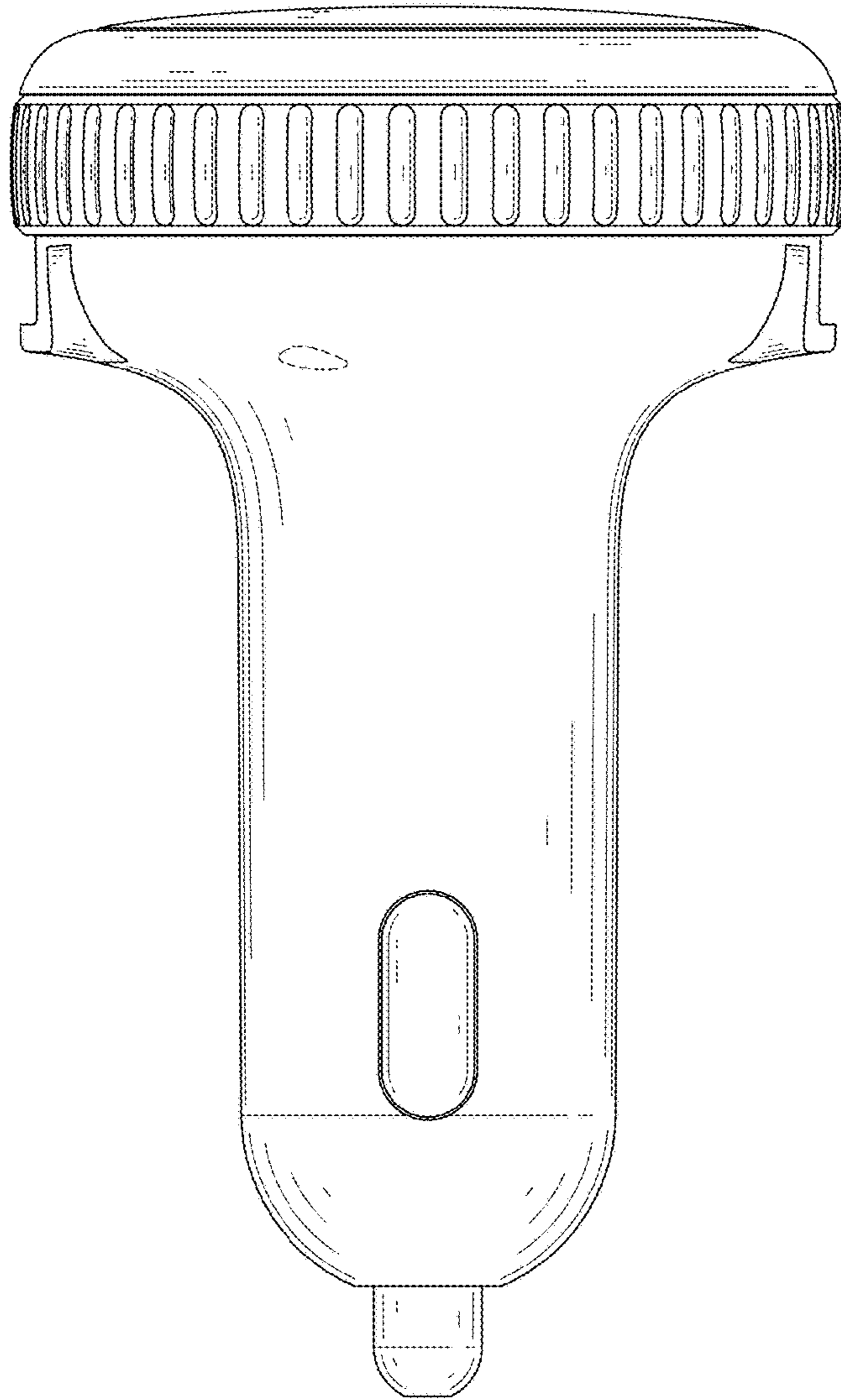


FIG. 4

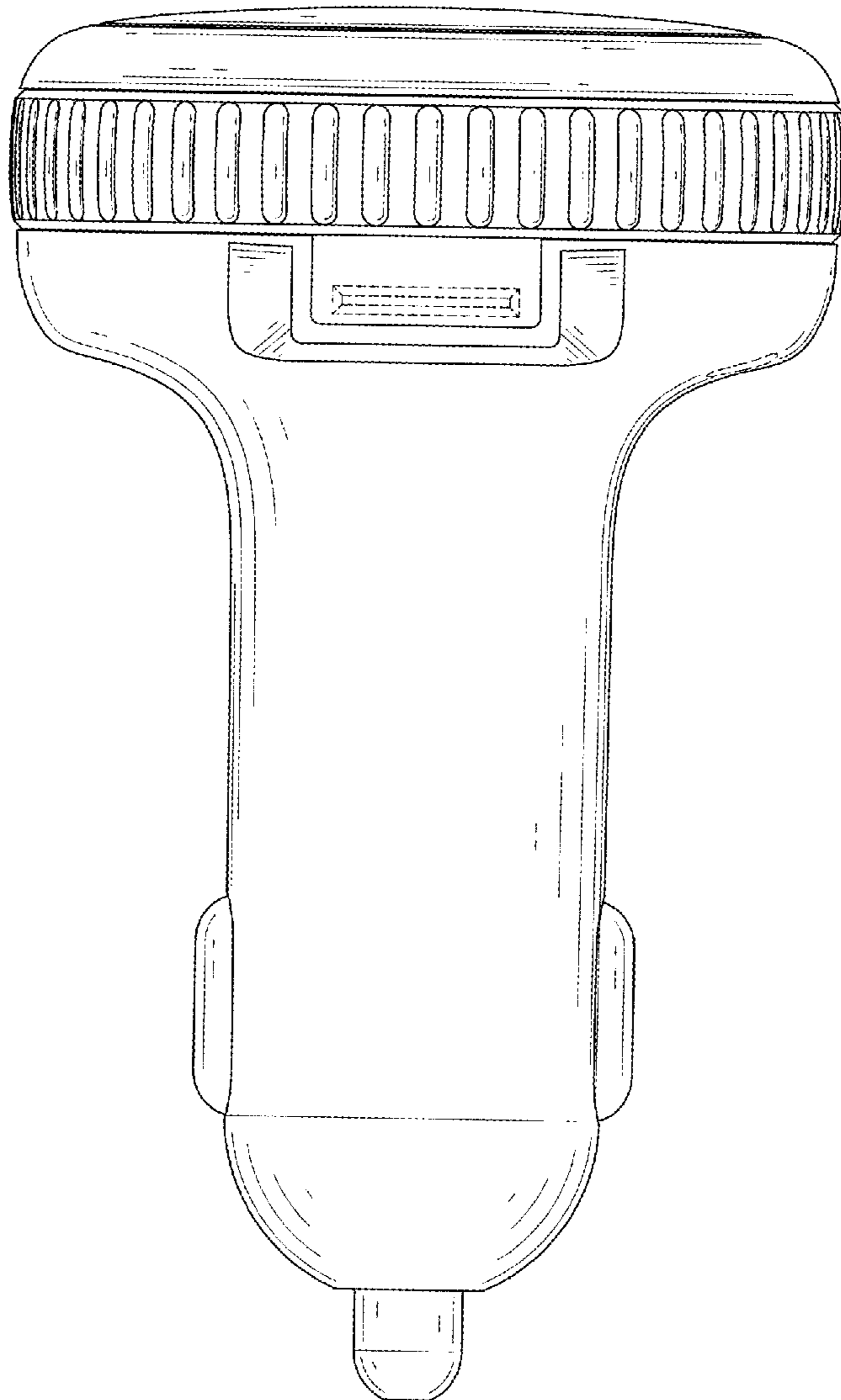


FIG. 5

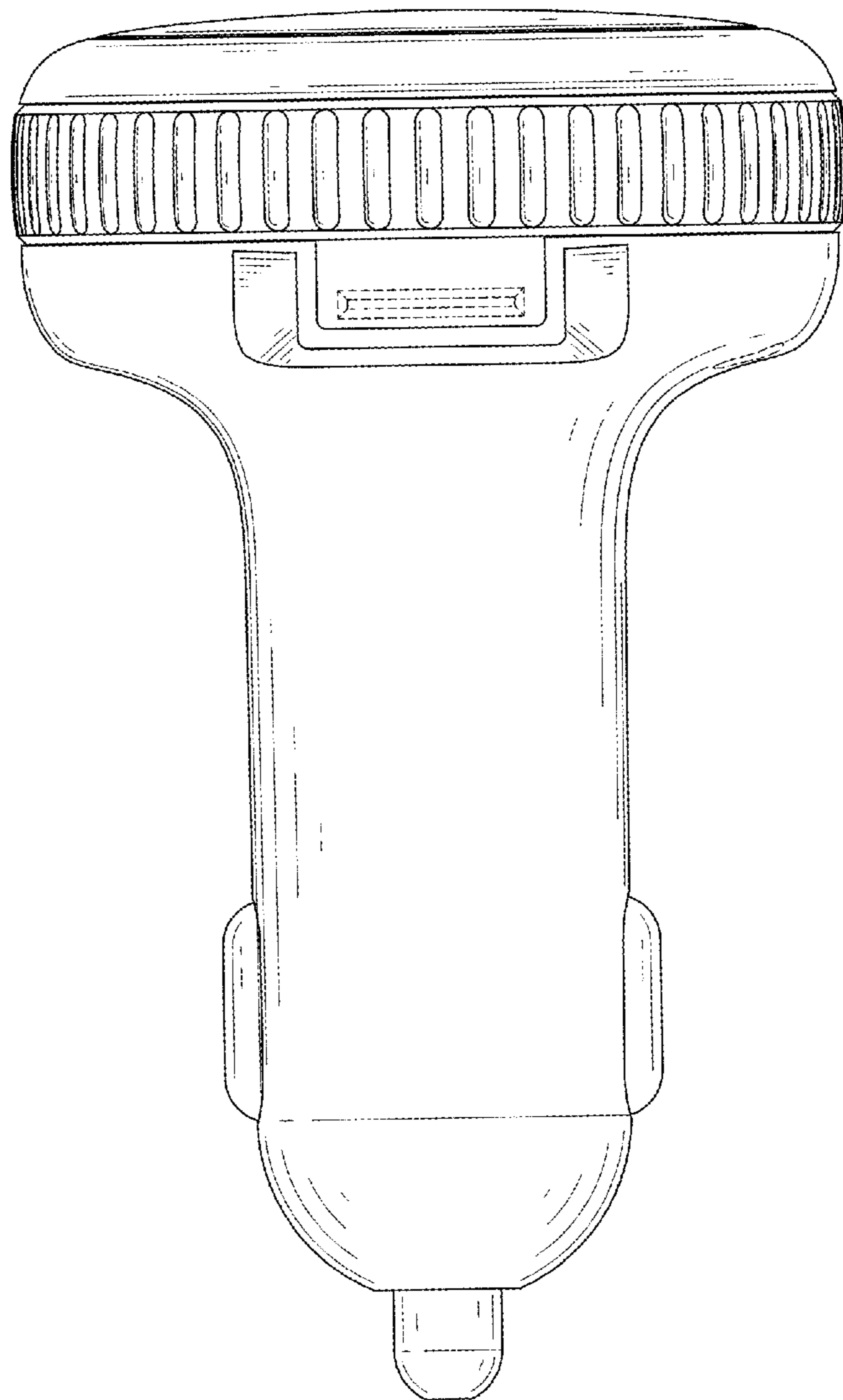


FIG. 6

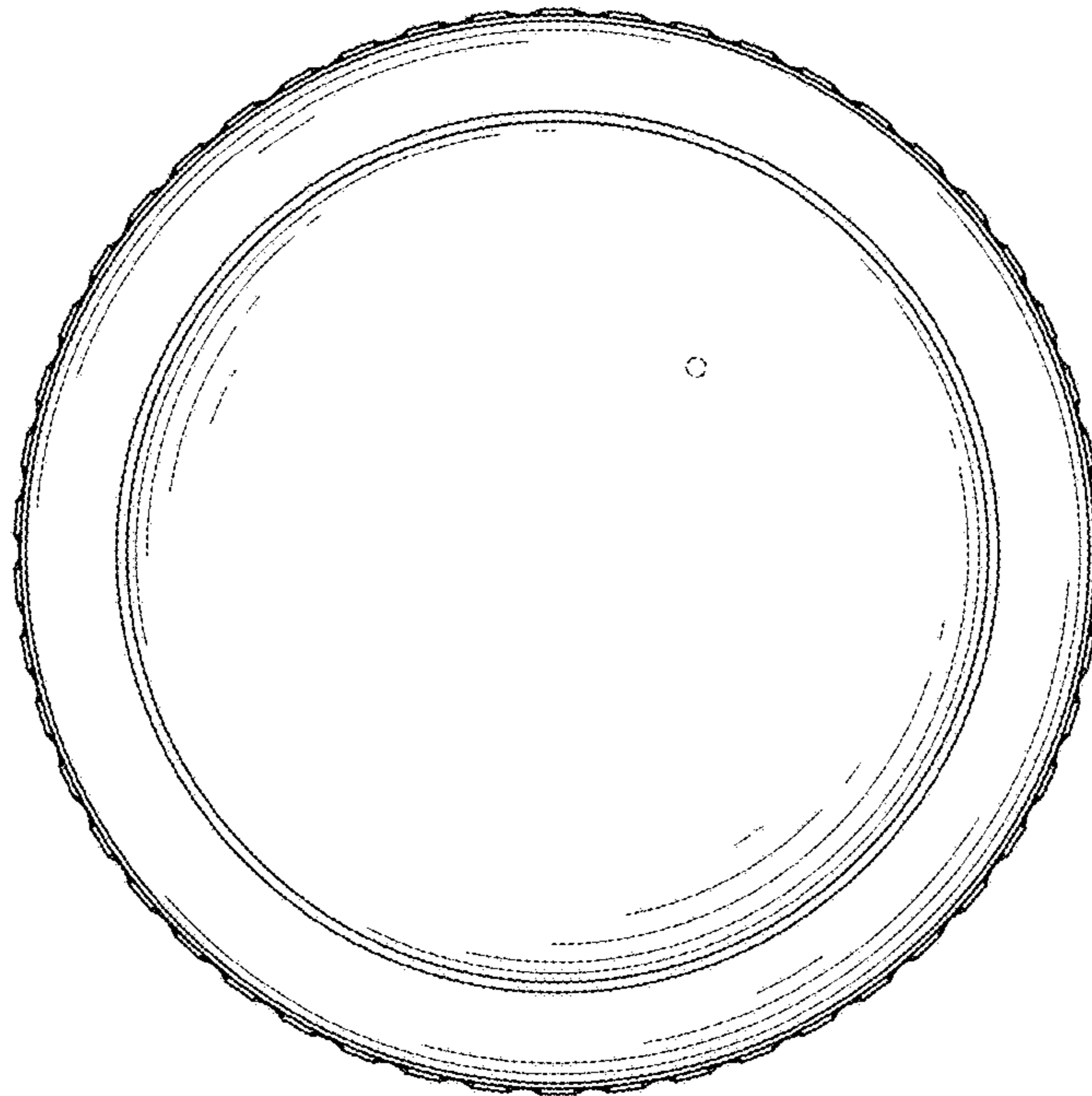


FIG. 7

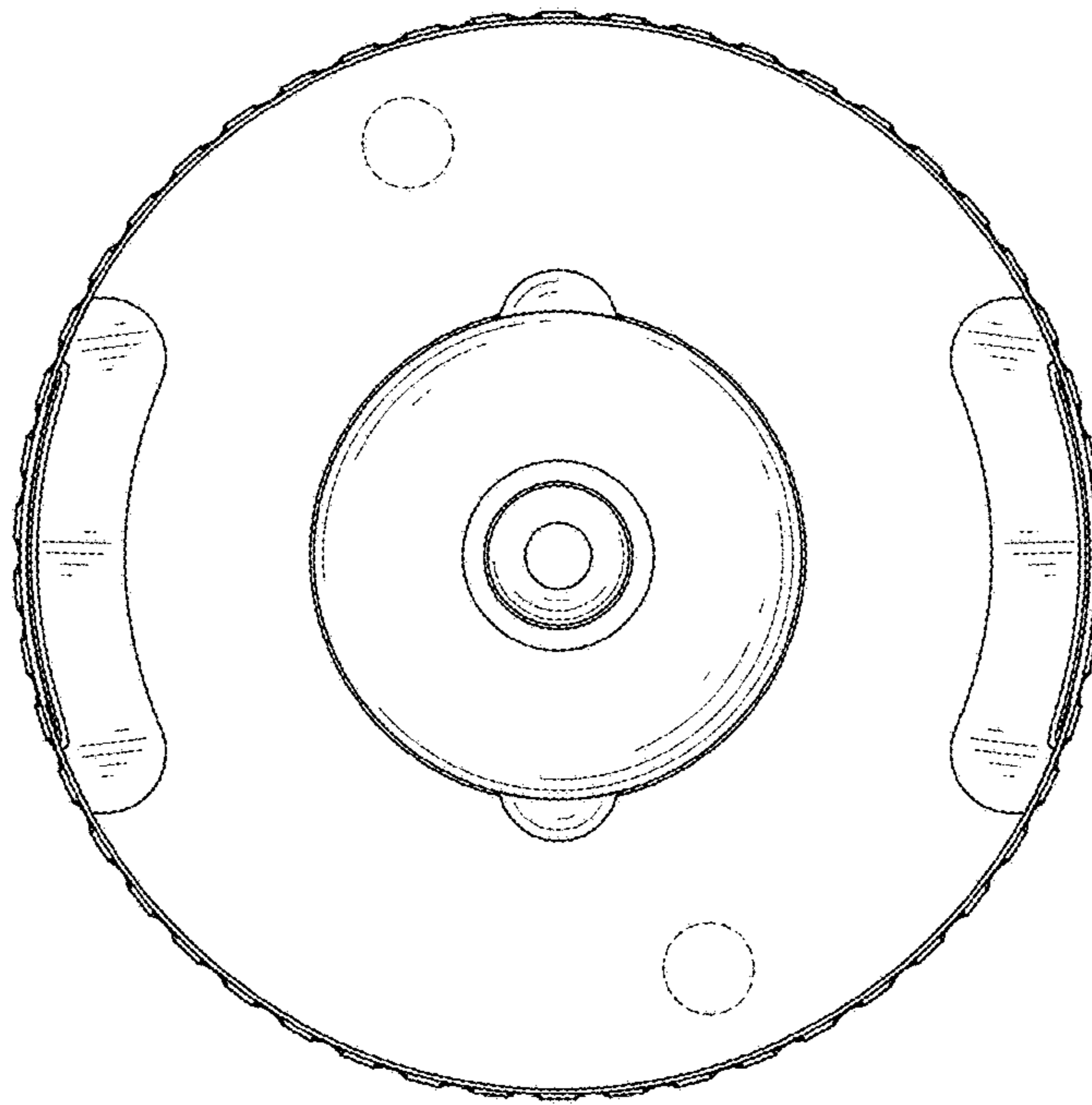


FIG. 8