



US00D834520S

(12) **United States Design Patent**  
**Eshelman et al.**

(10) **Patent No.:** **US D834,520 S**

(45) **Date of Patent:** **\*\* Nov. 27, 2018**

(54) **ELECTRICAL EXTENSION CORD  
RECEPTACLE END**

D718,714 S \* 12/2014 Si ..... D13/110  
D718,715 S \* 12/2014 Si ..... D13/110  
D739,821 S \* 9/2015 Byrne ..... D13/139.4

(71) Applicant: **360 Electrical, L.L.C.**, Salt Lake City,  
UT (US)

(72) Inventors: **Brandon Eshelman**, Salt Lake City,  
UT (US); **Cameron Bigler**, Lehi, UT  
(US); **Adam Boushley**, Midvale, UT  
(US)

(73) Assignee: **360 Electrical, L.L.C.**, Salt Lake City,  
UT (US)

(\*\*) Term: **15 Years**

(21) Appl. No.: **29/582,848**

(22) Filed: **Oct. 31, 2016**

(51) **LOC (11) Cl.** ..... **13-03**

(52) **U.S. Cl.**  
USPC ..... **D13/139.7**

(58) **Field of Classification Search**  
USPC ..... D14/432, 433, 435.1, 196, 496, 199;  
D13/103, 108, 109, 110, 133,  
D13/137.1-137.4, 138.1-138.2,  
D13/139.1-139.8, 146, 147, 151,  
D13/152-156, 173, 177, 162, 158, 184,  
D13/107, 139.4; D8/350, 353-356, 358,  
D8/402, 403; D25/108, 122, 124, 119,  
D25/121; D23/259, 262; D21/699  
CPC .... H01R 25/00; H01R 25/006; H01R 25/003;  
H01R 13/5845; H01R 13/72; H01R  
13/46; H01R 31/06; H01R 24/28; H01R  
11/00; H01R 9/00; H01B 7/2806; H02J  
2007/0062  
See application file for complete search history.

(56) **References Cited**

**U.S. PATENT DOCUMENTS**

D325,723 S \* 4/1992 Gary ..... D13/139.4  
D566,654 S \* 4/2008 Ivanova ..... D13/139.7

**OTHER PUBLICATIONS**

Amazon.com: PowerCube. Published Jun. 17, 2014. Retrieved from  
the internet at <<https://www.amazon.com/PowerCube-Extended-Extension-4324-USEXPC/dp/B00O3GX658/>>, Dec. 5, 2017. 1 page.\*

\* cited by examiner

*Primary Examiner* — Rosemary K Tarcza

*Assistant Examiner* — Christy M. Nemeth

(74) *Attorney, Agent, or Firm* — Lauff Law PLLC

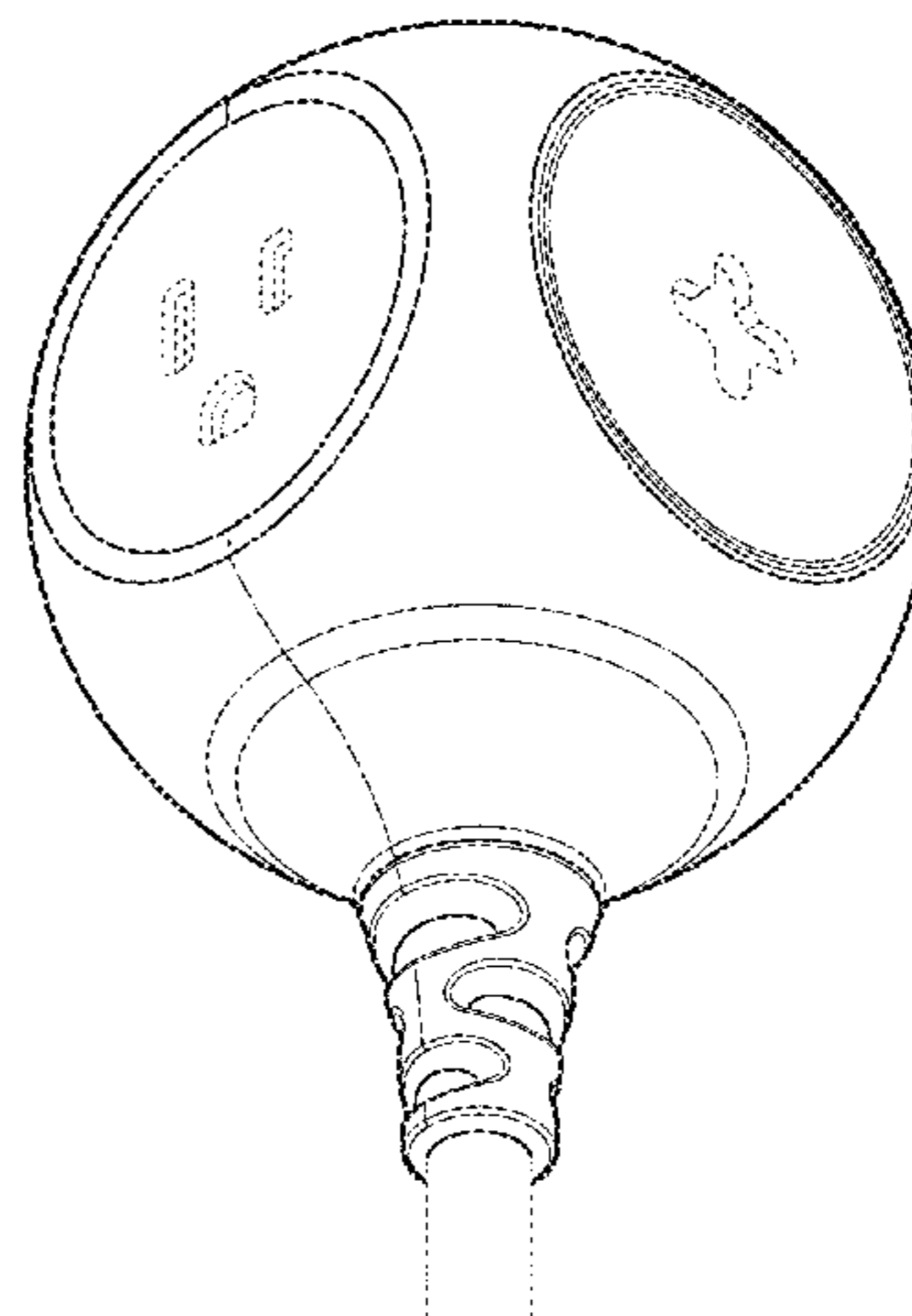
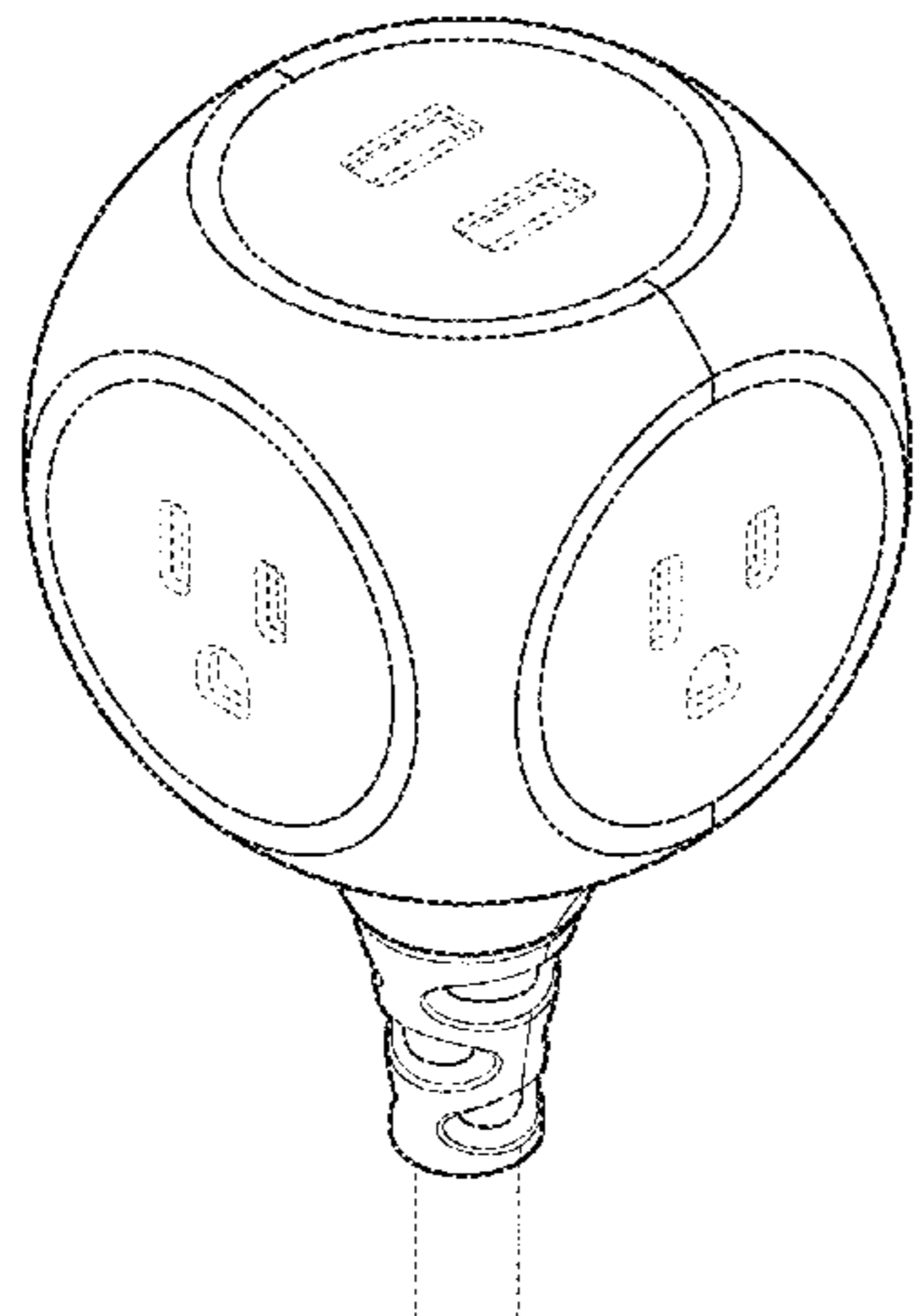
(57) **CLAIM**

The ornamental design for an electrical extension cord  
receptacle end, substantially as shown and described.

**DESCRIPTION**

FIG. 1 is a top plan view of the electrical extension cord  
receptacle end;  
FIG. 2 is a right side elevation view thereof;  
FIG. 3 is a left side elevation view thereof;  
FIG. 4 is a bottom plan view thereof;  
FIG. 5 is a front elevation view thereof;  
FIG. 6 is a rear elevation view thereof;  
FIG. 7 is a first upper perspective view thereof;  
FIG. 8 is a second upper perspective view thereof;  
FIG. 9 is a third upper perspective view thereof;  
FIG. 10 is a fourth upper perspective view thereof;  
FIG. 11 is a first lower perspective view thereof;  
FIG. 12 is a second lower perspective view thereof;  
FIG. 13 is a third lower perspective view thereof; and,  
FIG. 14 is a fourth lower perspective view thereof.  
The broken lines in the drawings are for the purpose of  
illustrating portions of the electrical extension cord recep-  
tacle end and environmental subject matter that form no part  
of the claimed design.

**1 Claim, 7 Drawing Sheets**



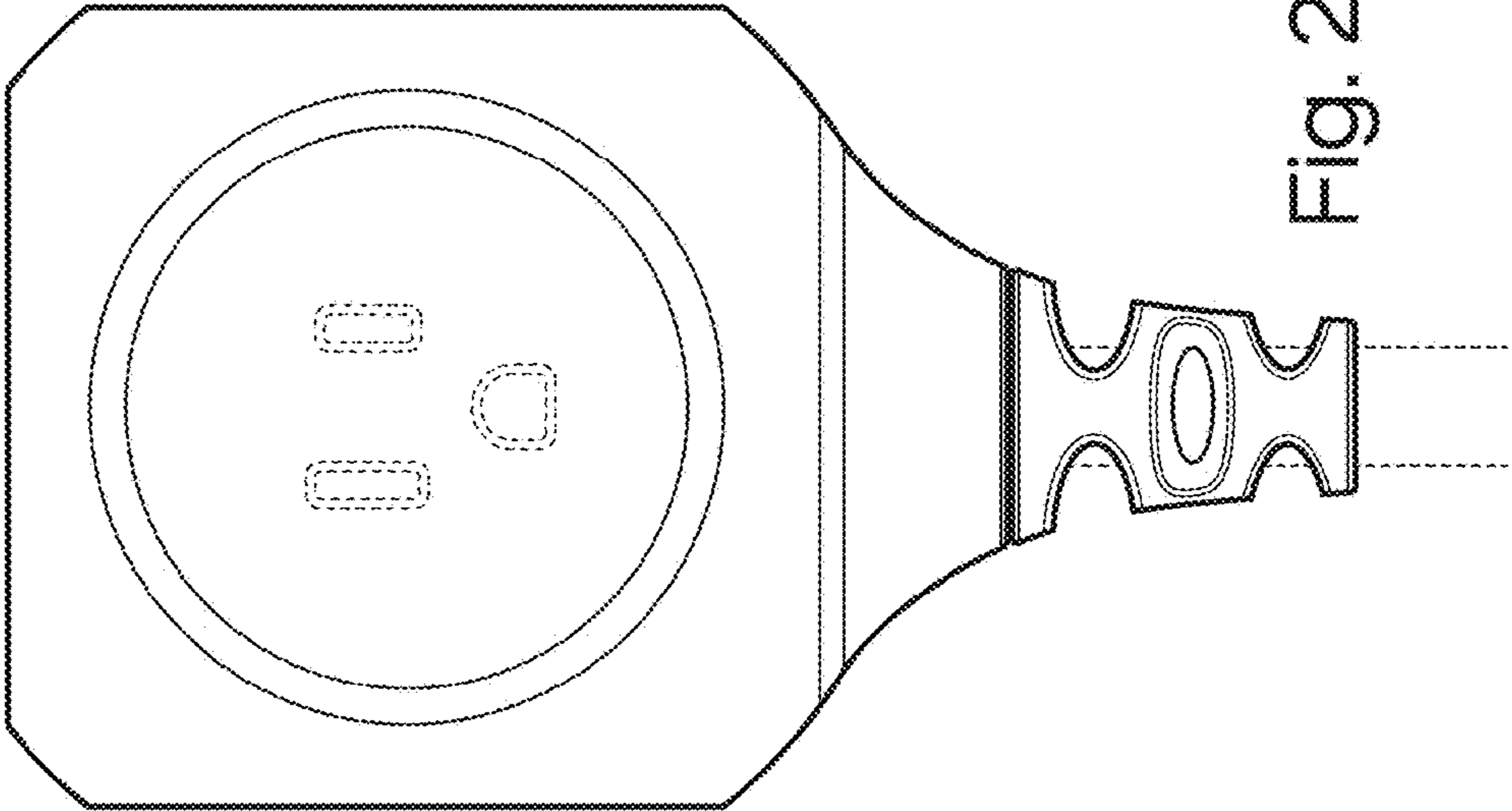


Fig. 2

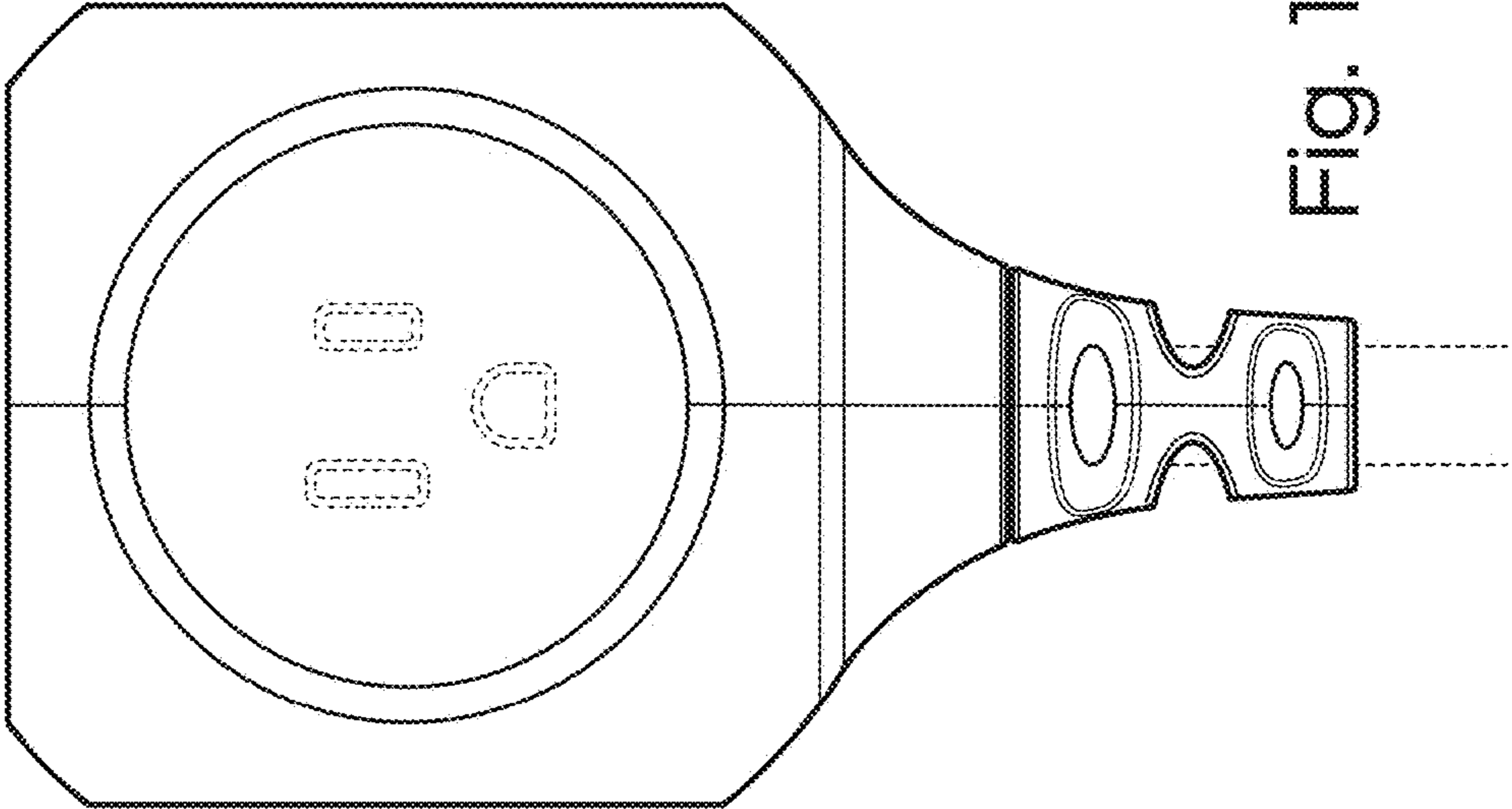


Fig. 1

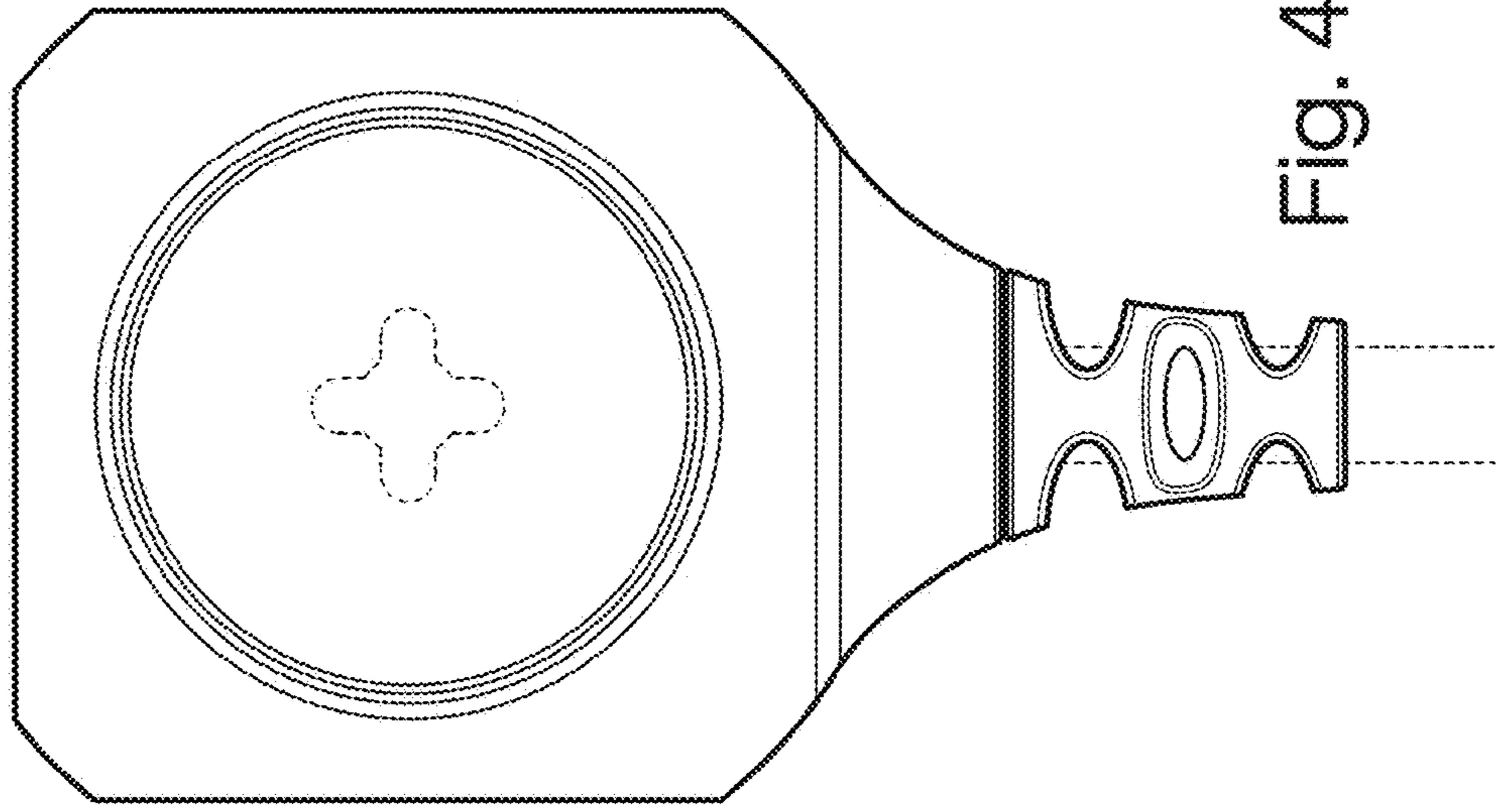


Fig. 4

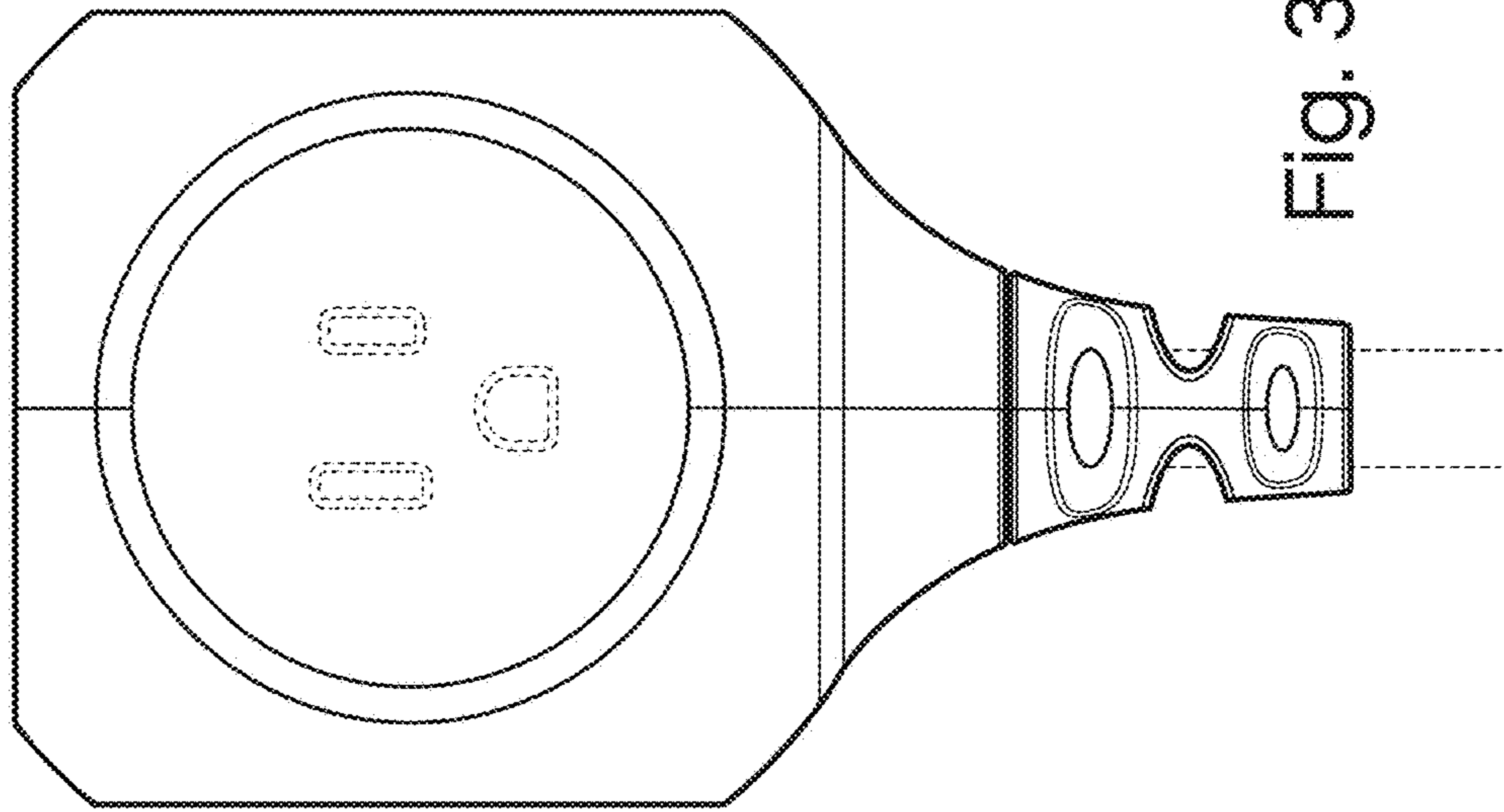


Fig. 3

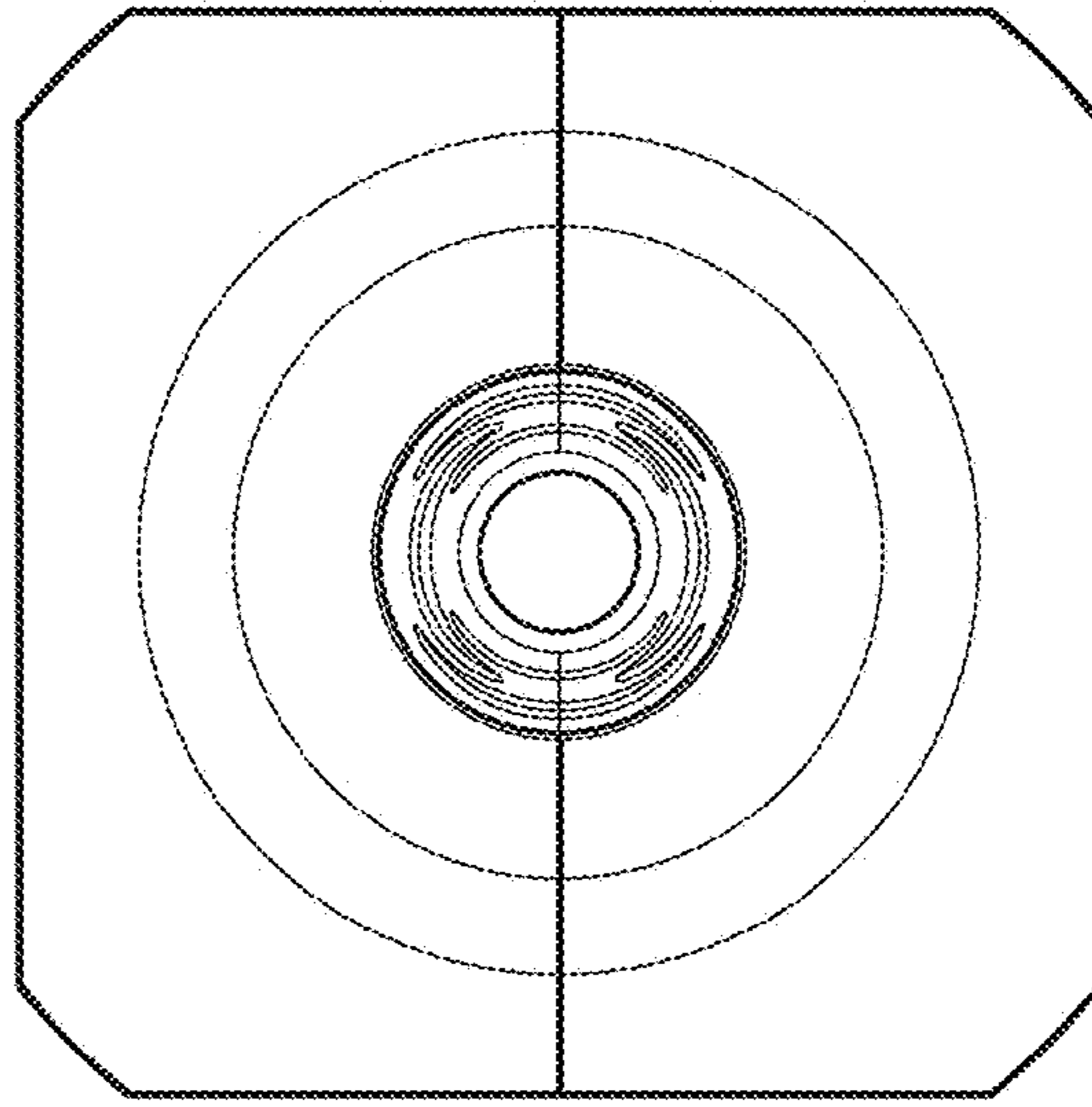


Fig. 6

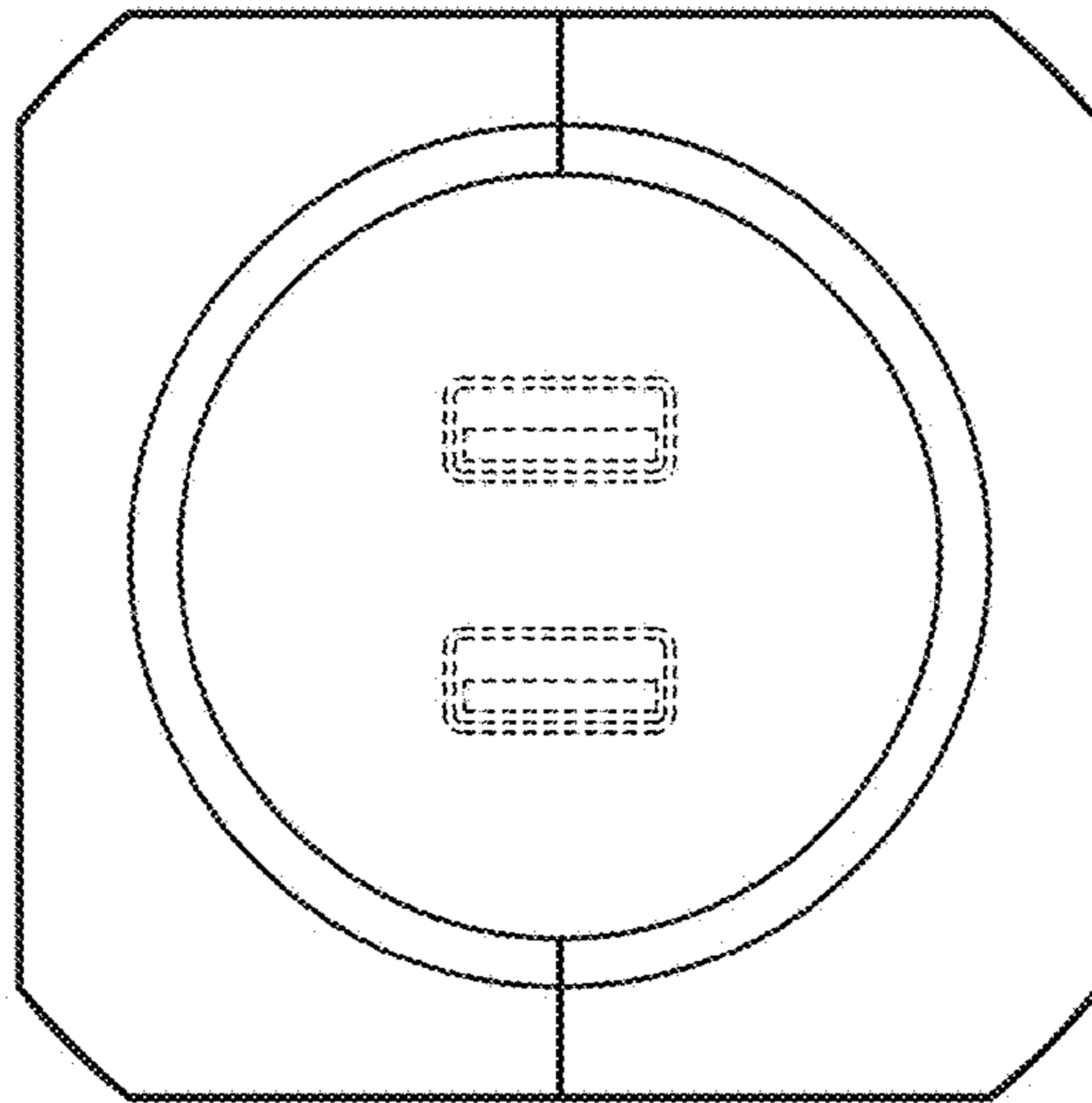


Fig. 5

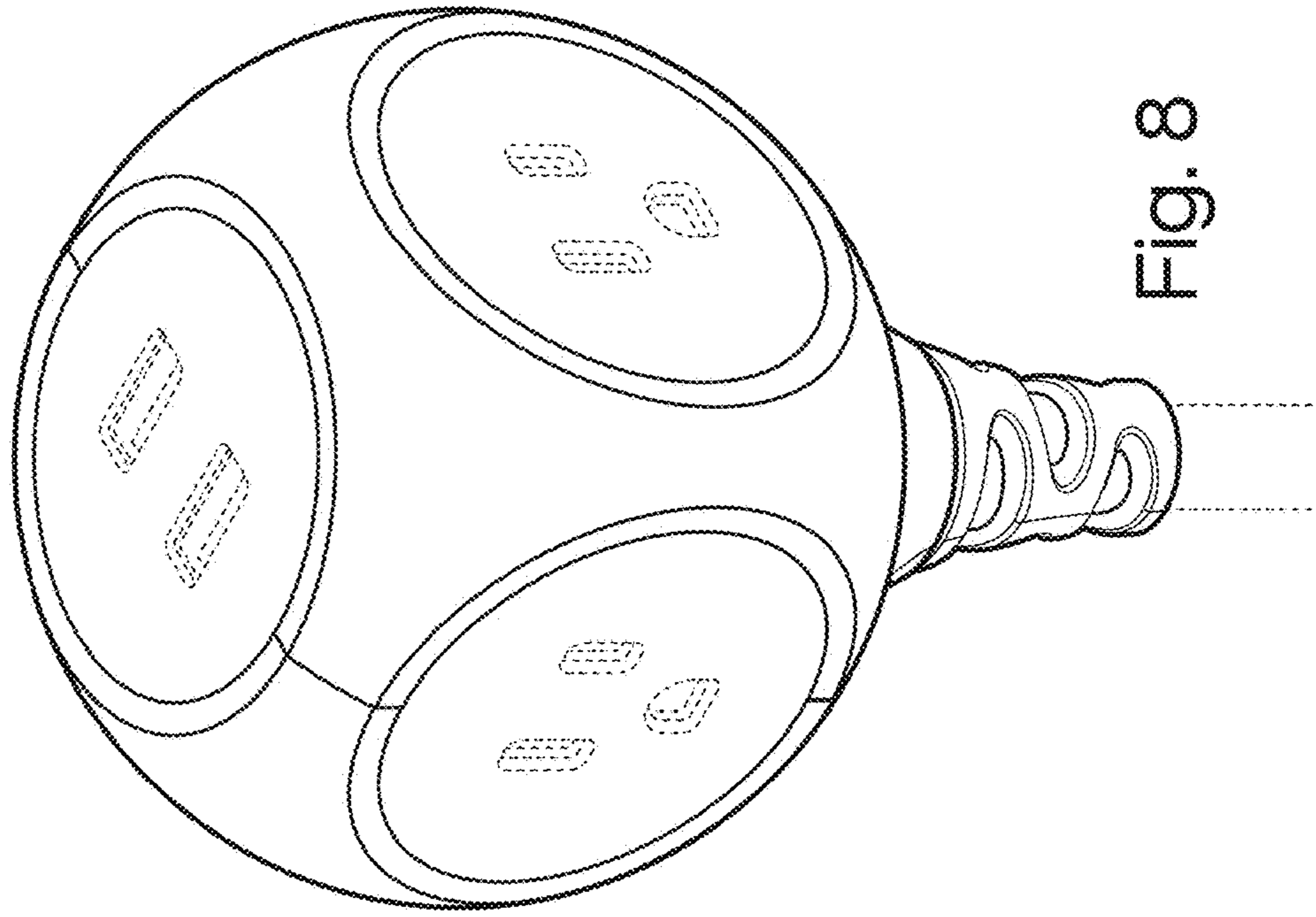


Fig. 8

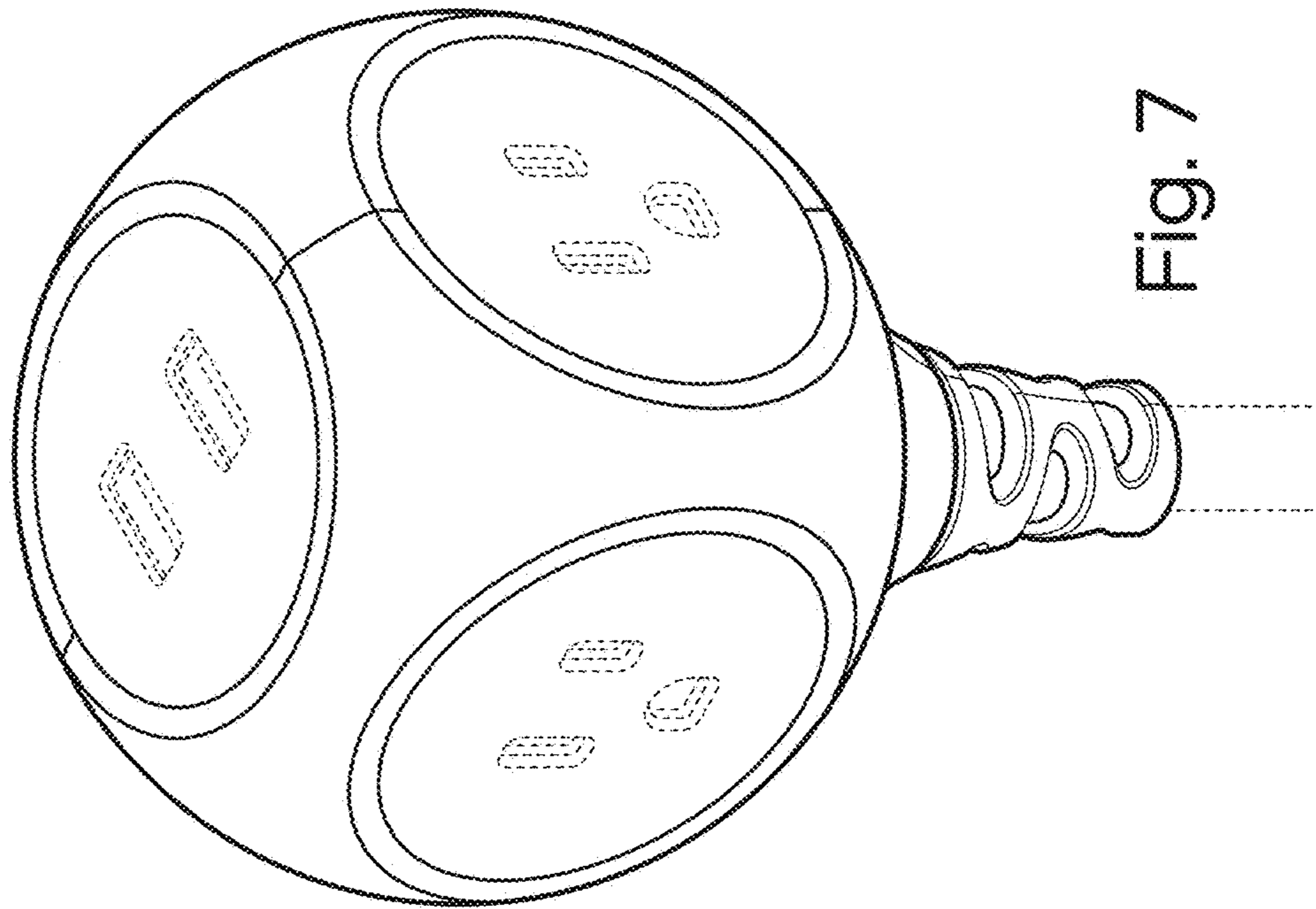


Fig. 7

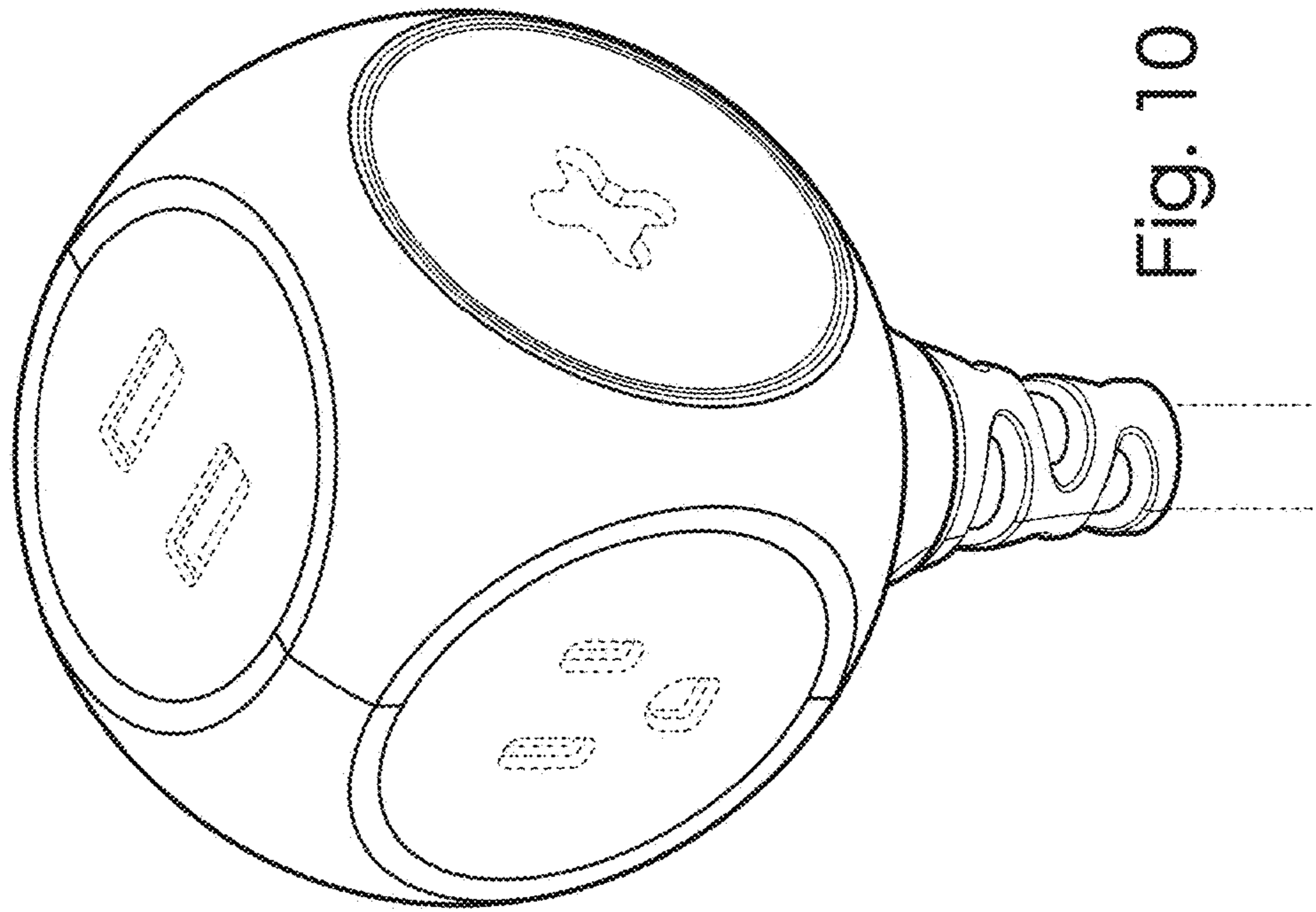


Fig. 10

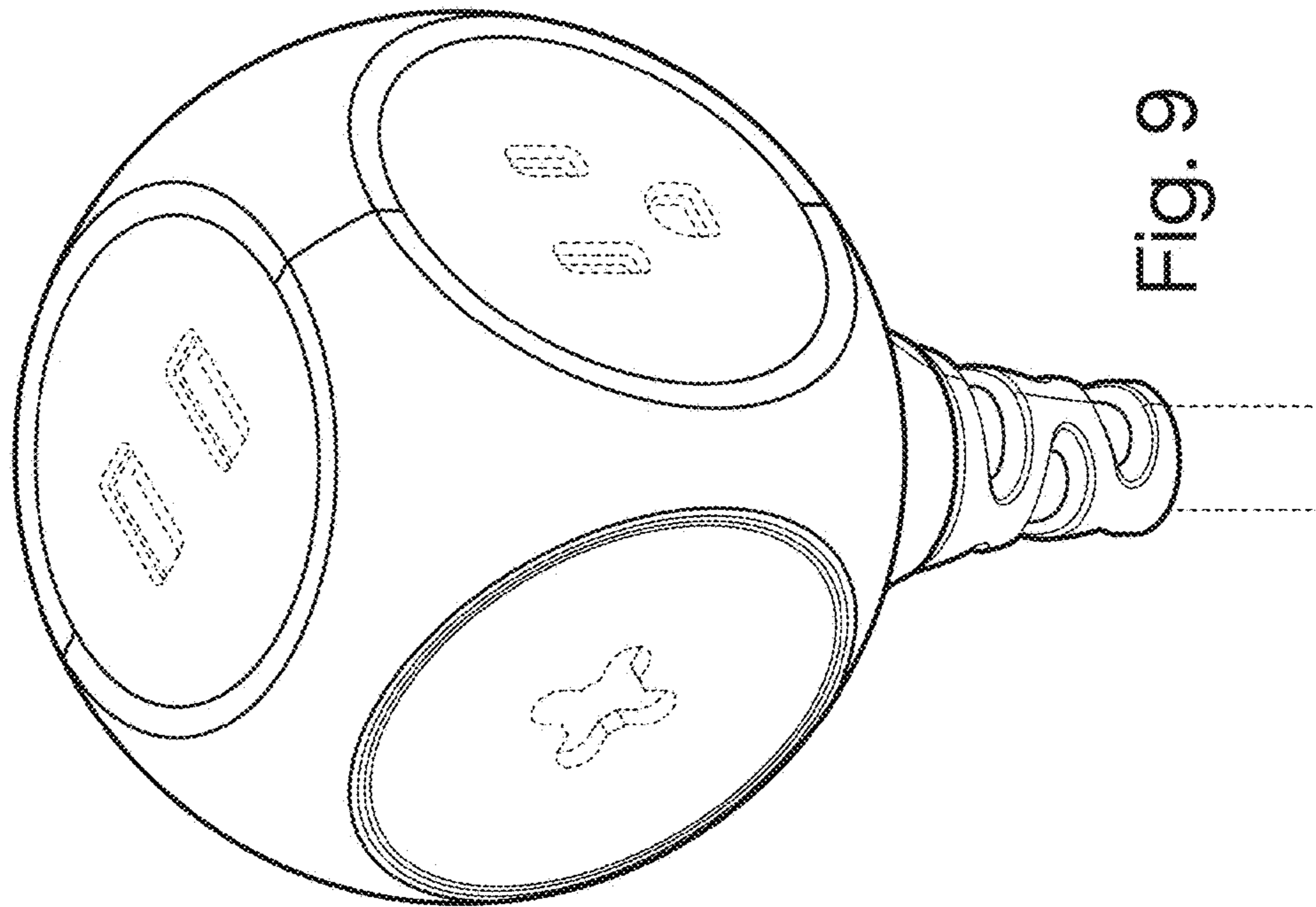


Fig. 9

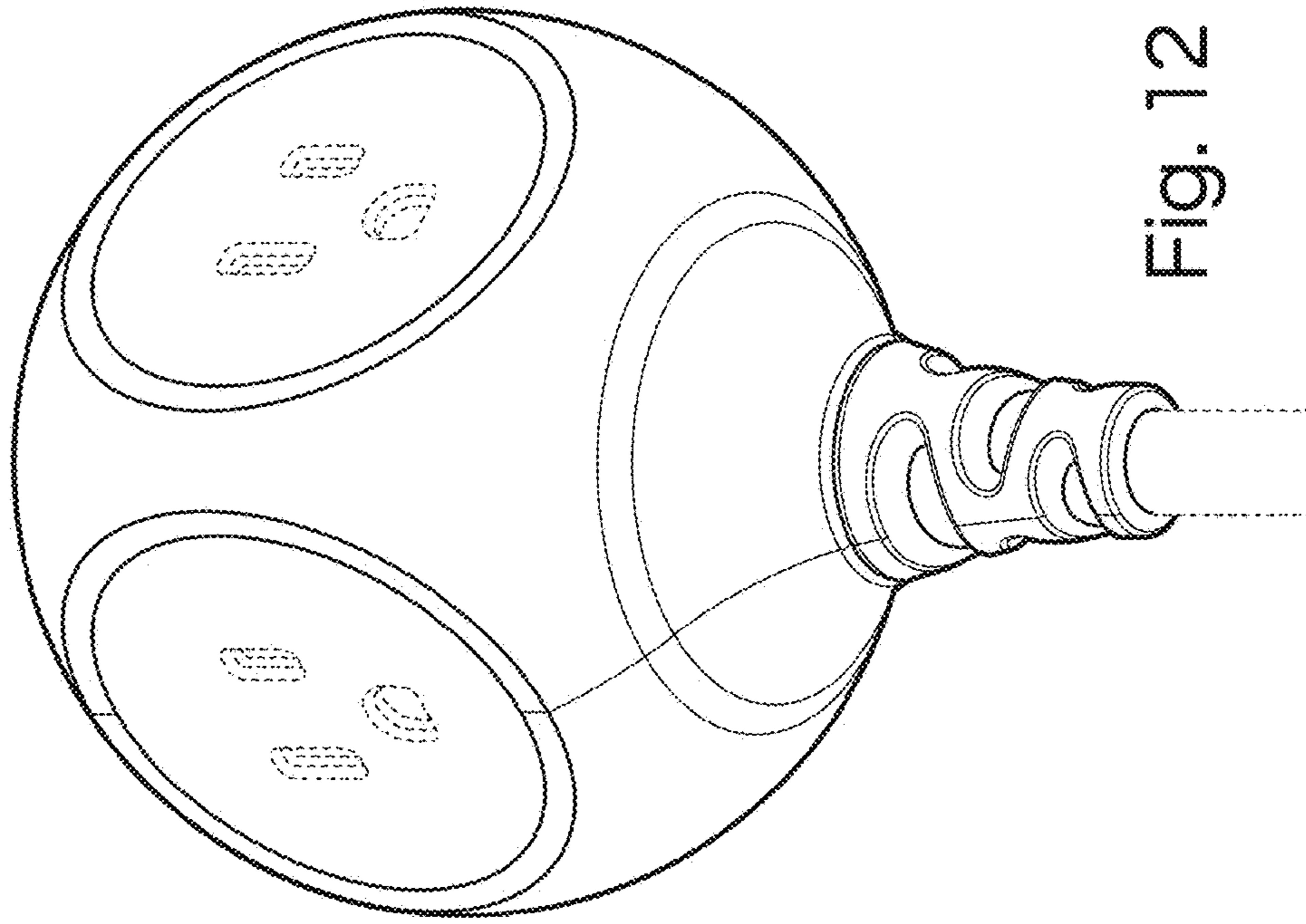


Fig. 12

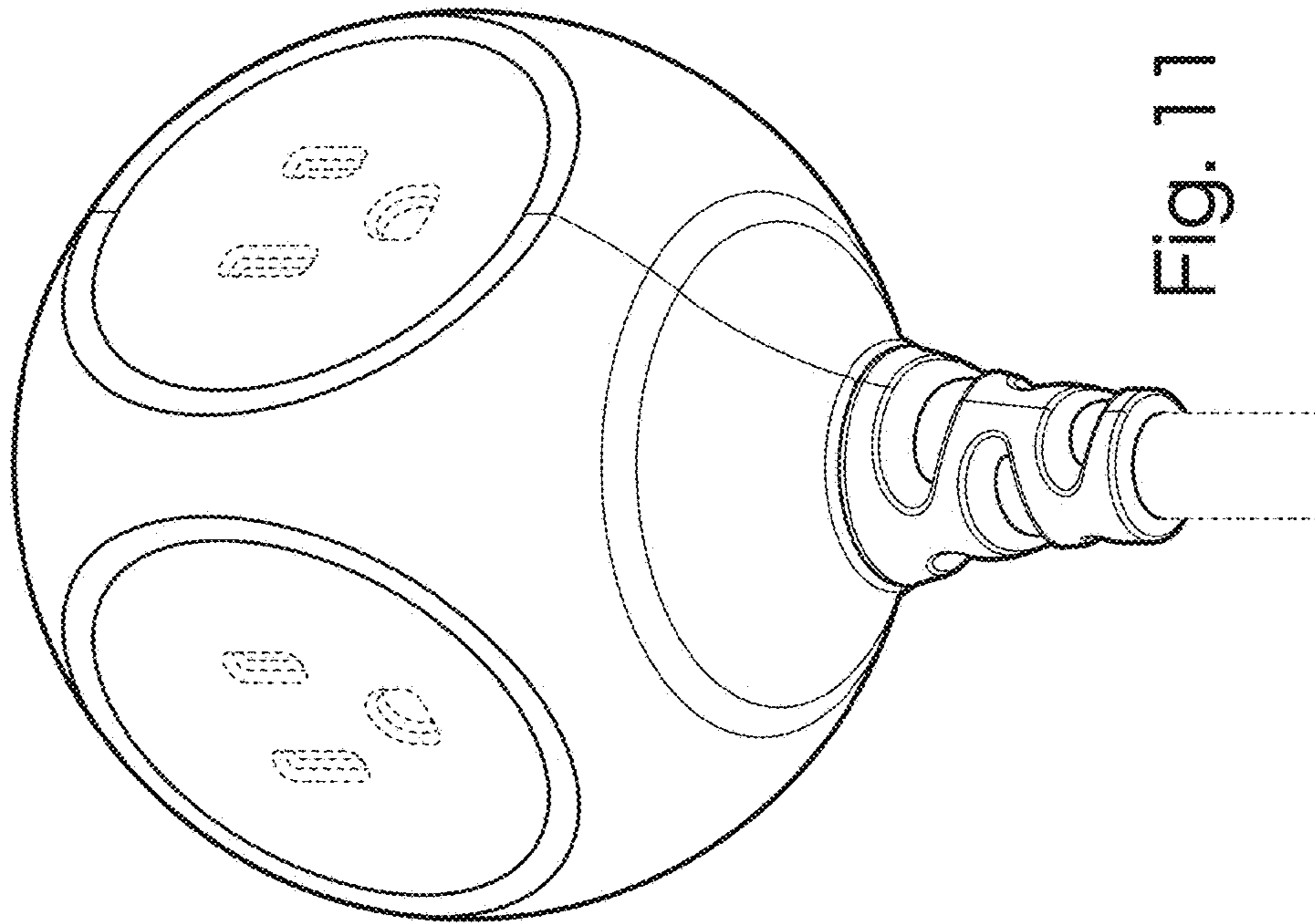


Fig. 11

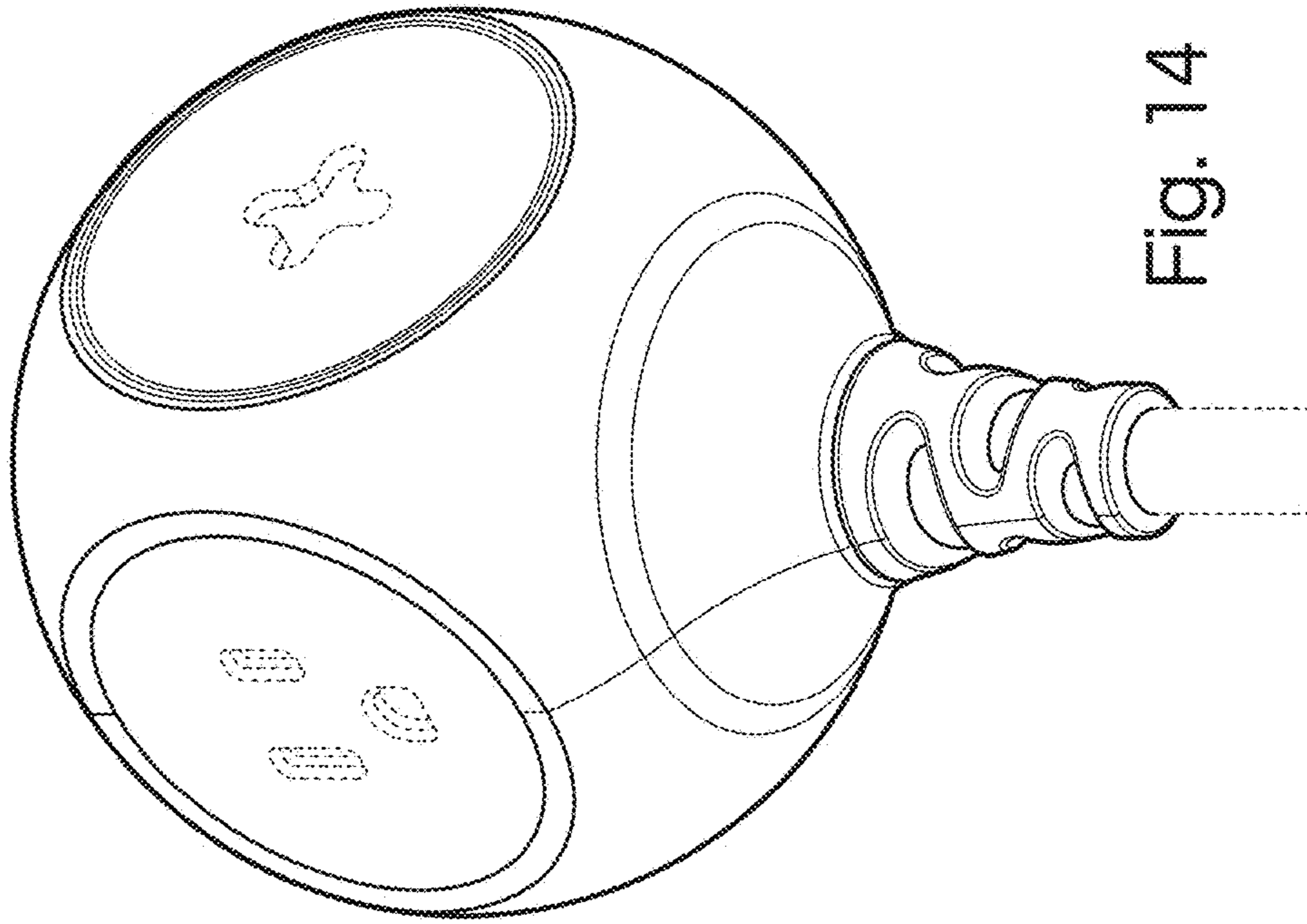


Fig. 14

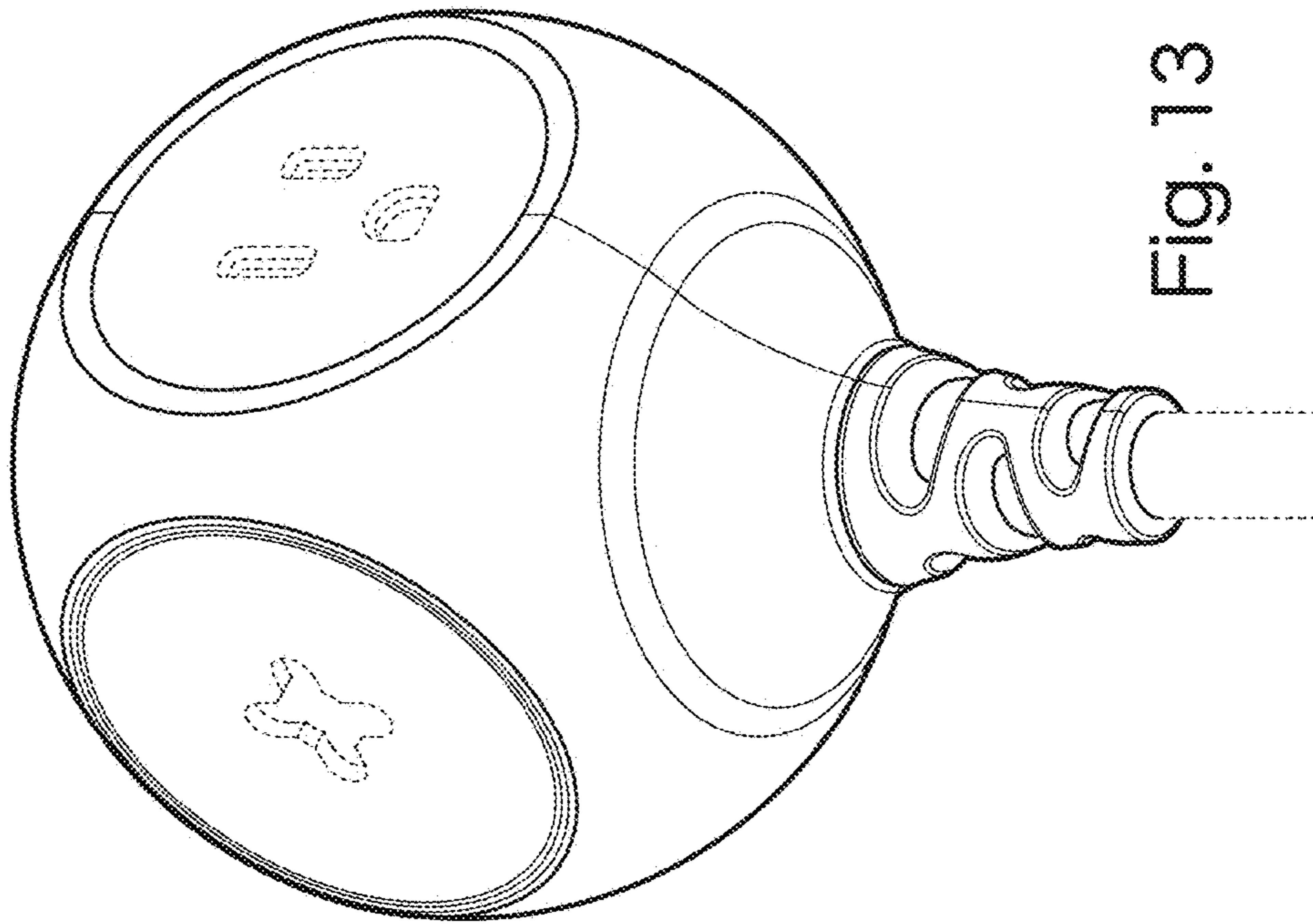


Fig. 13