



US00D834519S

(12) **United States Design Patent** (10) **Patent No.:** **US D834,519 S**
Faul (45) **Date of Patent:** **** Nov. 27, 2018**

(54) **ELECTRICAL APPARATUS HAVING A SQUARE PLAN VIEW**

D329,422 S 9/1992 Fujiyoshi
D340,909 S * 11/1993 Ip D13/110
D350,939 S 9/1994 Rossman et al.
D367,038 S 2/1996 Fladung et al.

(71) Applicant: **CONWAY ELECTRIC, LLC**, Boulder, CO (US)

(Continued)

(72) Inventor: **Kevin Faul**, Boulder, CO (US)

OTHER PUBLICATIONS

(73) Assignee: **CONWAY ELECTRIC, LLC**, Boulder, CO (US)

TacMac Corporation, "Metal 1-Gang Outlet Boxes", Dec. 12, 2013, 2 pages, http://www.taymac.com/products/outlet_boxes_and_extensions/1-gang.

(**) Term: **15 Years**

(Continued)

(21) Appl. No.: **29/533,621**

Primary Examiner — Rhea Shields

(22) Filed: **Jul. 20, 2015**

(74) *Attorney, Agent, or Firm* — Oblon, McClelland, Maier & Neustadt, L.L.P.

Related U.S. Application Data

(63) Continuation of application No. 29/493,501, filed on Jun. 10, 2014, now Pat. No. Des. 734,724.

(51) **LOC (11) Cl.** **13-03**

(52) **U.S. Cl.**
USPC **D13/137.2**

(58) **Field of Classification Search**
USPC ... D13/137.1–137.4, 139.1–139.8, 110, 123, D13/156; 138/157

CPC H01R 25/164
See application file for complete search history.

(56) **References Cited**

U.S. PATENT DOCUMENTS

2,088,845 A * 8/1937 De Mask H01R 25/164
138/157
4,240,688 A 12/1980 Sotolongo
D263,465 S * 3/1982 Fathi D13/110
D271,684 S * 12/1983 Berry, Jr. D13/123
4,463,998 A 8/1984 Reavis et al.
D296,889 S * 7/1988 Poliak D13/139.4
D306,012 S 2/1990 Oesterheld et al.
D327,050 S * 6/1992 Zirinsky D13/110

(57) **CLAIM**

The ornamental design for an electrical apparatus having a square plan view, as shown and described.

DESCRIPTION

FIG. 1 is a rear, left side perspective view of an embodiment of the electrical apparatus having a square plan view.

FIG. 2 is a left side elevational view thereof.

FIG. 3 is a top plan view thereof.

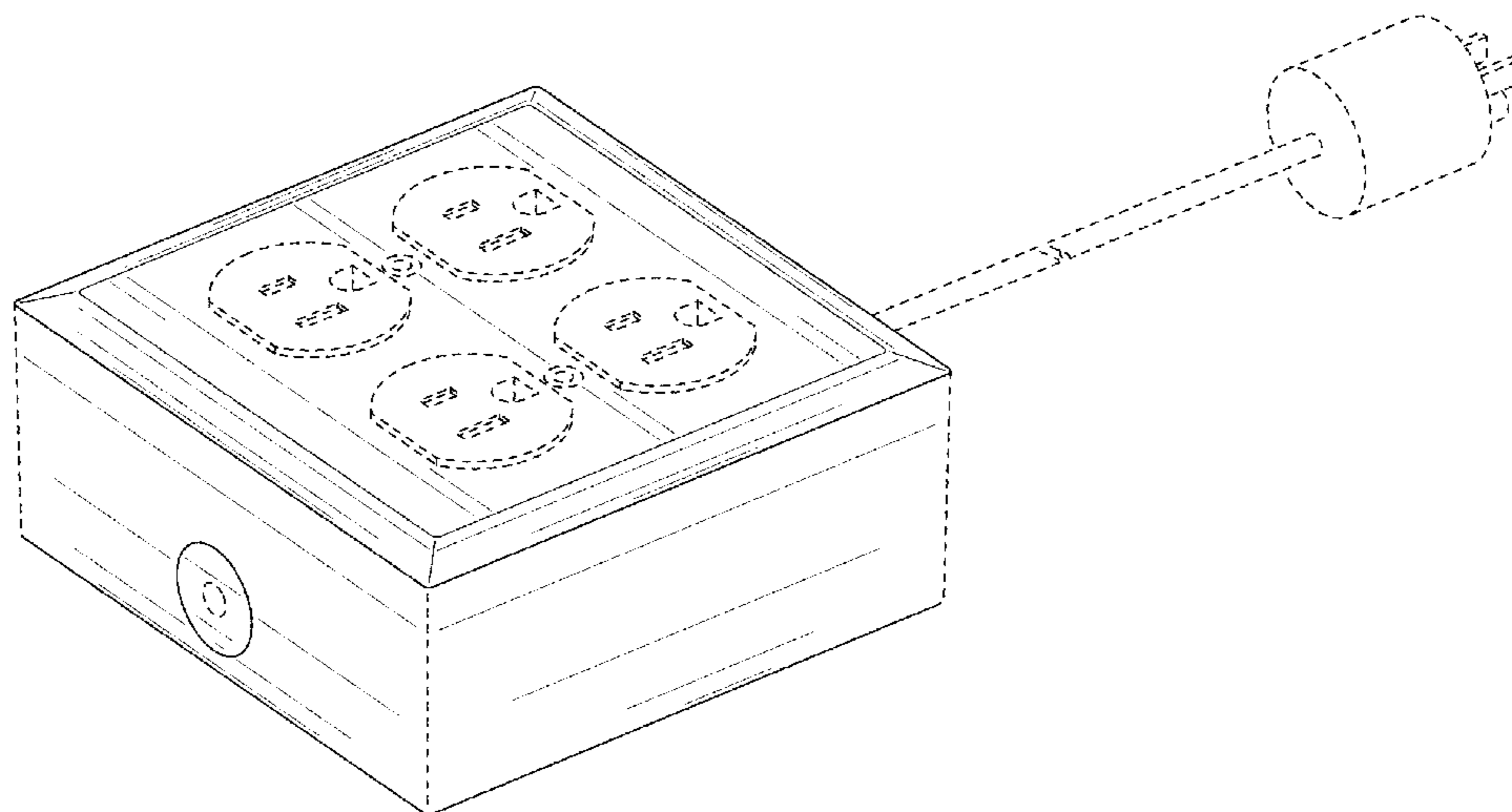
FIG. 4 is a bottom plan view thereof; and,

FIG. 5 is a bottom, left side perspective view thereof. Notably regarding this embodiment of the electrical apparatus having a square plan view, the two stoppers on the respective ends of the casing/housing are flush with the casing/housing.

Regarding FIGS. 1 and 3, the additional dashed lines inside each of the pairs of rectangular electrical outlet openings represent tamper resistant layers in the respective rectangular electrical outlet openings.

The dashed lines in the drawings depict environmental subject matter only and form no part of the claimed design.

1 Claim, 5 Drawing Sheets



(56)

References Cited

U.S. PATENT DOCUMENTS

D367,643 S * 3/1996 Vardell D13/139.7
 D368,893 S 4/1996 Harwood et al.
 D379,796 S 6/1997 Bagga
 D382,855 S 8/1997 Salmond et al.
 5,748,424 A 5/1998 Hung
 5,984,728 A 11/1999 Chen et al.
 D446,503 S 8/2001 Lee
 D484,099 S 12/2003 Bettencourt
 D523,397 S 6/2006 Maglionico et al.
 D528,508 S 9/2006 Tan et al.
 7,390,966 B1 6/2008 Shotey et al.
 RE40,600 E 12/2008 Maltby et al.
 D587,203 S 2/2009 Dennes et al.
 D591,233 S 4/2009 Kagami et al.
 D595,229 S 6/2009 LaGrotta
 D619,535 S 7/2010 Shi
 D626,071 S 10/2010 Su et al.
 7,820,910 B1 10/2010 Cleghorn et al.
 D636,728 S 4/2011 Terleski et al.
 7,939,758 B1 5/2011 Shotey
 D651,974 S 1/2012 Benedetti
 8,187,012 B1 5/2012 Baldwin et al.
 D673,912 S 1/2013 Benedetti
 D679,401 S 4/2013 Fisher et al.
 D693,305 S 11/2013 Kuo et al.

D695,693 S 12/2013 Lee et al.
 D700,579 S 3/2014 Mobbs
 D700,892 S 3/2014 Segnit
 8,672,695 B2 3/2014 Baldwin et al.
 D711,828 S 8/2014 Mozder
 D710,804 S 12/2014 Duffy et al.
 D724,030 S * 3/2015 Faul D13/139.1
 D727,853 S * 4/2015 Clayton D13/156
 D734,724 S * 7/2015 Faul D13/137.4
 D735,138 S * 7/2015 Miniger D13/139.7
 D736,159 S * 8/2015 Byrne D13/139.4
 D737,208 S * 8/2015 Faul D13/139.1
 D755,127 S * 5/2016 Wong D13/137.2
 D769,819 S * 10/2016 Banayan D13/110
 D776,056 S * 1/2017 Block D13/137.2
 D777,674 S * 1/2017 Mininger D13/139.7
 D801,276 S * 10/2017 Lin D13/139.7
 D801,936 S * 11/2017 Rose D13/139.4
 2009/0294147 A1 12/2009 Stockton

OTHER PUBLICATIONS

Woodhead, "Portable Outlet Boxes", pp. 140-149, <http://www.woodheadsales.com/pdfs/multiple%20outlet%20boxes%20902.pdf> (last accessed Jun. 9, 2014).

* cited by examiner

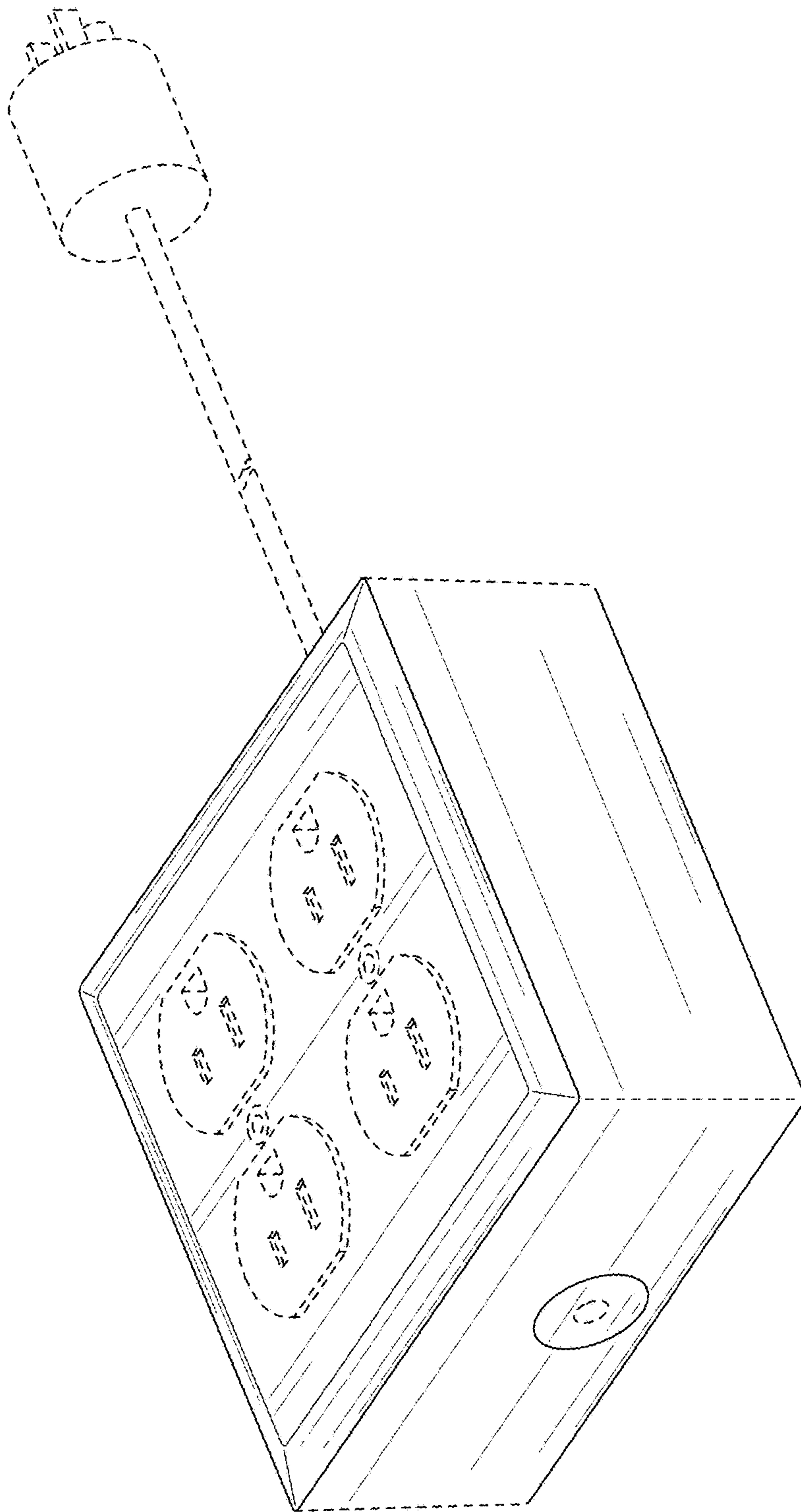


FIG. 1

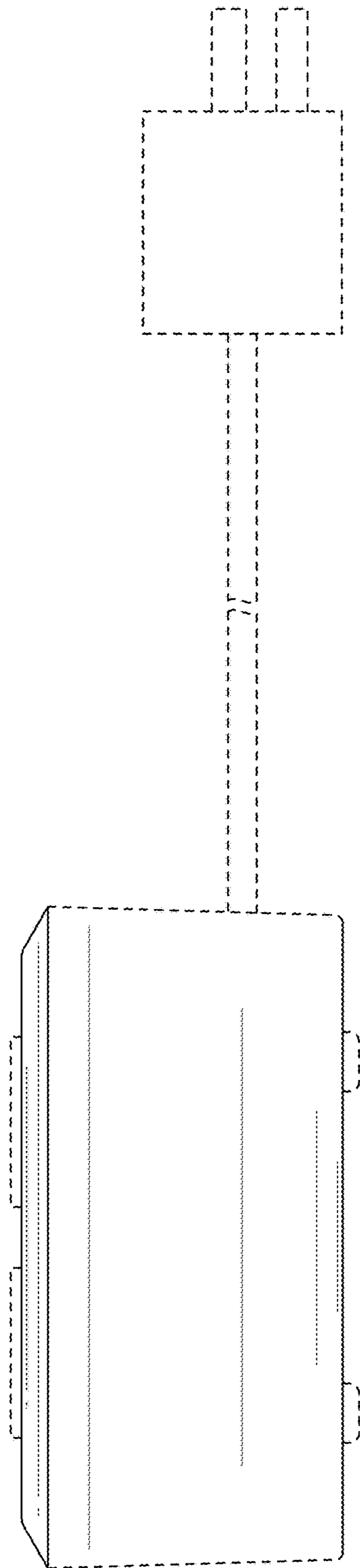


FIG. 2

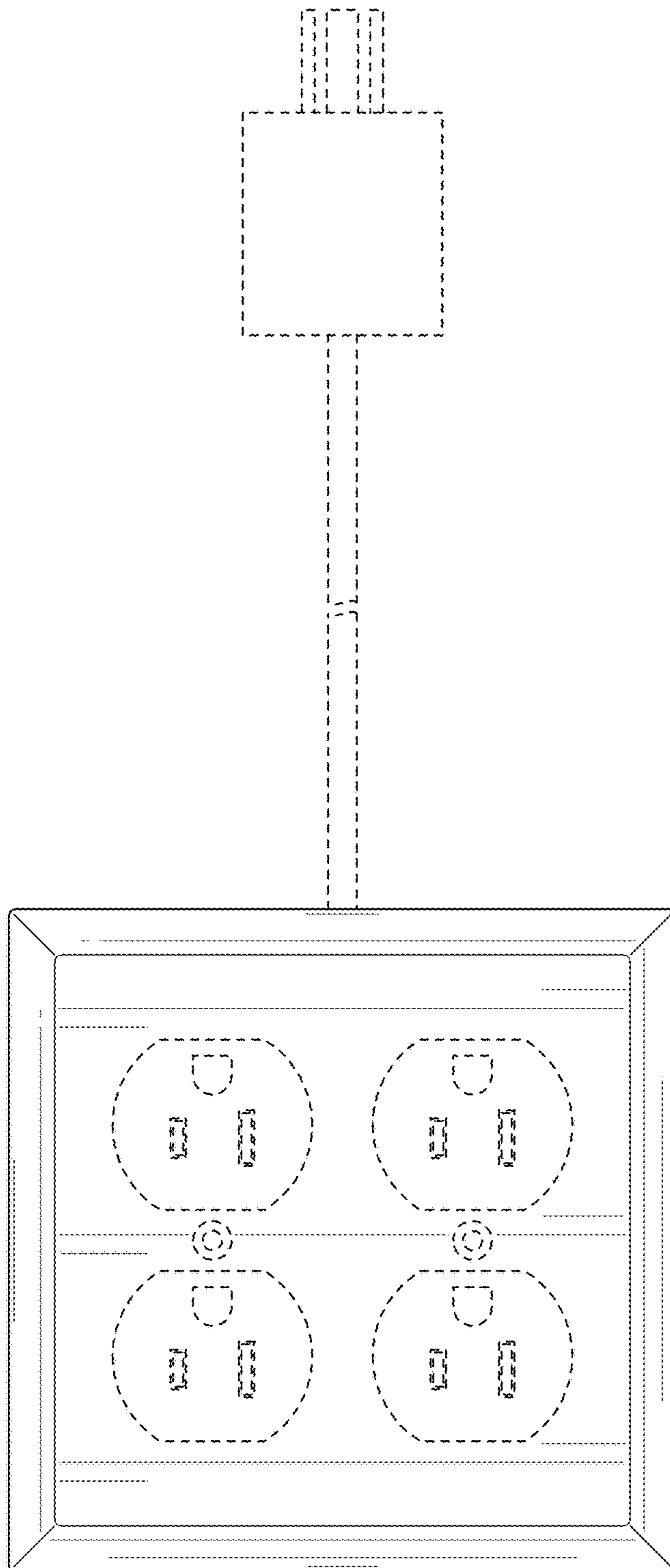


FIG. 3

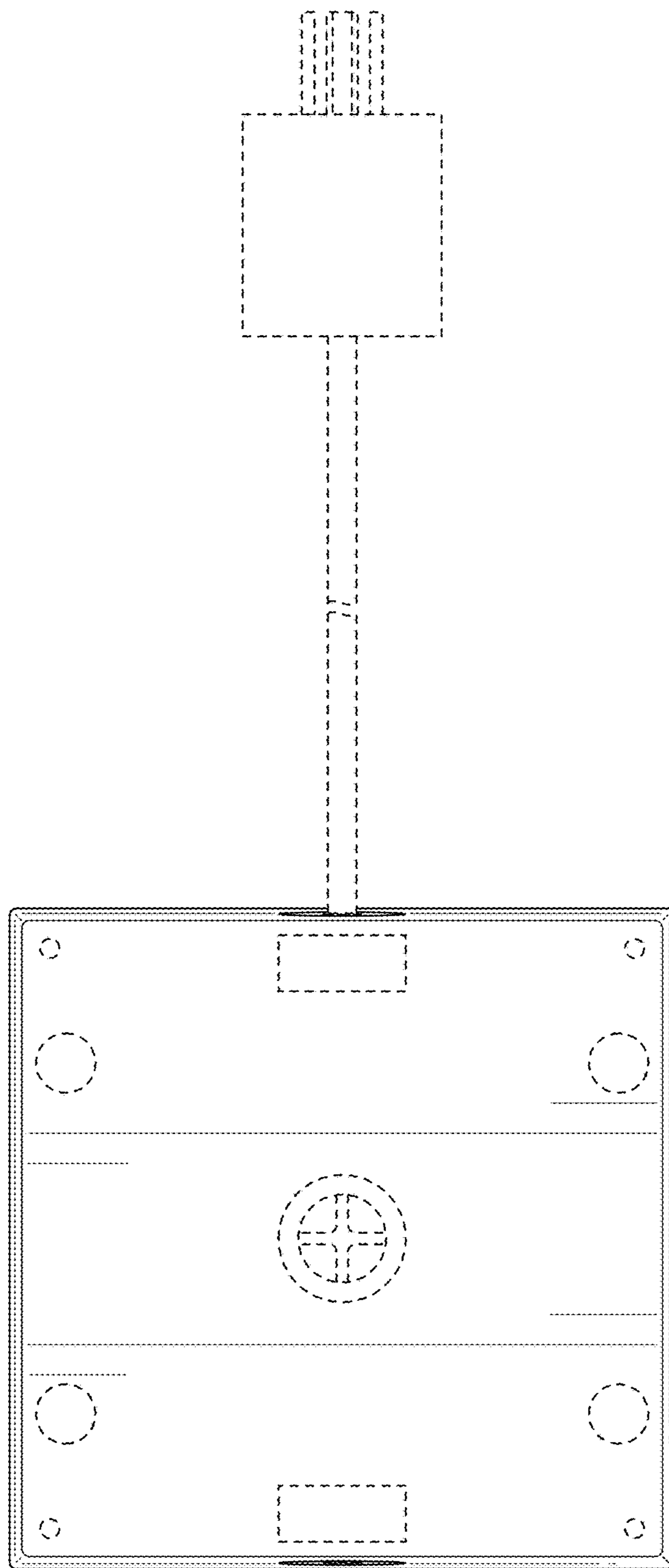


FIG. 4

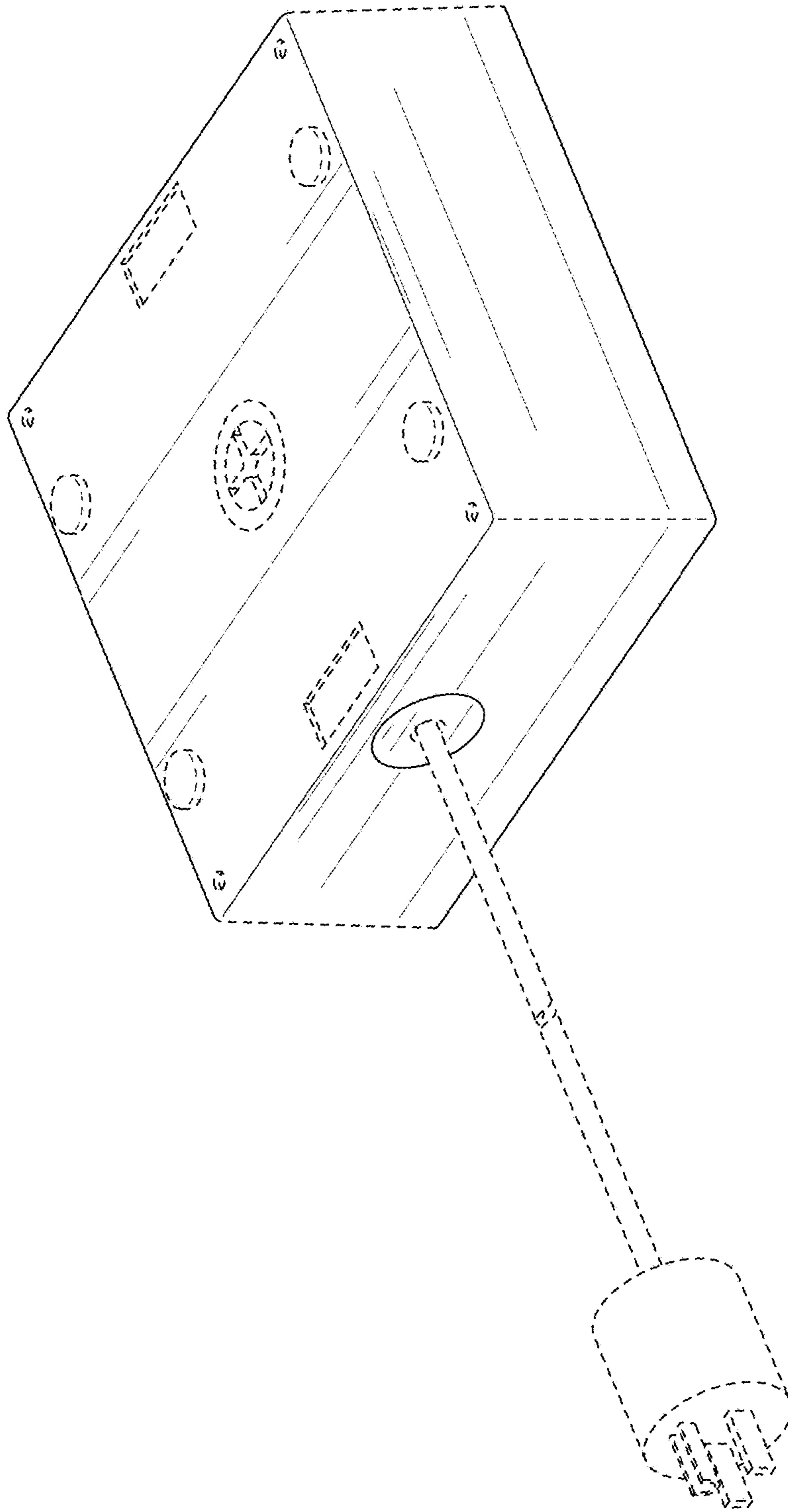


FIG. 5