



US00D834518S

(12) **United States Design Patent**
Hung et al.

(10) **Patent No.:** **US D834,518 S**

(45) **Date of Patent:** **** Nov. 27, 2018**

(54) **ADAPTER**

(71) Applicant: **DELTA ELECTRONICS, INC.**,
Taoyuan (TW)

(72) Inventors: **Ruei-Lin Hung**, Taoyuan (TW);
Hung-Sheng Hsieh, Taoyuan (TW)

(73) Assignee: **DELTA ELECTRONICS, INC.**,
Taoyuan (TW)

(**) Term: **15 Years**

(21) Appl. No.: **29/505,565**

(22) Filed: **Dec. 23, 2015**

(51) **LOC (11) Cl.** **13-03**

(52) **U.S. Cl.**
USPC **D13/133; D14/433; D13/110**

(58) **Field of Classification Search**
USPC D13/110, 118, 120, 123, 133, 145-147,
D13/149, 154, 156, 173, 184, 199;
D14/480.1, 480.3, 480.5, 480.7, 432, 433
CPC . H01R 4/50; H01R 4/66; H01R 13/00; H01R
13/44; H01R 13/72; H01R 24/00; H01R
25/00; H01R 27/00; H01R 27/02; H01R
31/06; H01R 39/00
See application file for complete search history.

(56) **References Cited**

U.S. PATENT DOCUMENTS

D443,859 S *	6/2001	Hogan	D13/133
D531,579 S *	11/2006	Peng	D13/147
D589,888 S *	4/2009	Wu	D13/147
D601,093 S *	9/2009	Wu	D13/147
D618,224 S *	6/2010	Tong	D13/133
D618,226 S *	6/2010	Tong	D13/133
D675,158 S *	1/2013	Smith	D13/110
D707,633 S *	6/2014	Lee	D13/147
D709,456 S *	7/2014	Yokoyama	D13/147

D736,702 S *	8/2015	Ovadia	D13/108
D788,037 S *	5/2017	Hung	D13/110
2005/0009404 A1*	1/2005	Lee	H01R 31/06 439/638

FOREIGN PATENT DOCUMENTS

EM 002921502-0001 * 12/2015

* cited by examiner

Primary Examiner — Angela J Lee

Assistant Examiner — Shawn T Gingrich

(74) *Attorney, Agent, or Firm* — Hauptman Ham, LLP

(57) **CLAIM**

The ornamental design for an adapter, as shown and described.

DESCRIPTION

FIG. 1 is a perspective view of an adapter showing our new design;

FIG. 2 is a front elevational view thereof;

FIG. 3 is a rear elevational view thereof;

FIG. 4 is a left side elevational view thereof;

FIG. 5 is a right side elevational view thereof;

FIG. 6 is a top plan view thereof;

FIG. 7 is a bottom plan view thereof;

FIG. 8 is another perspective view thereof;

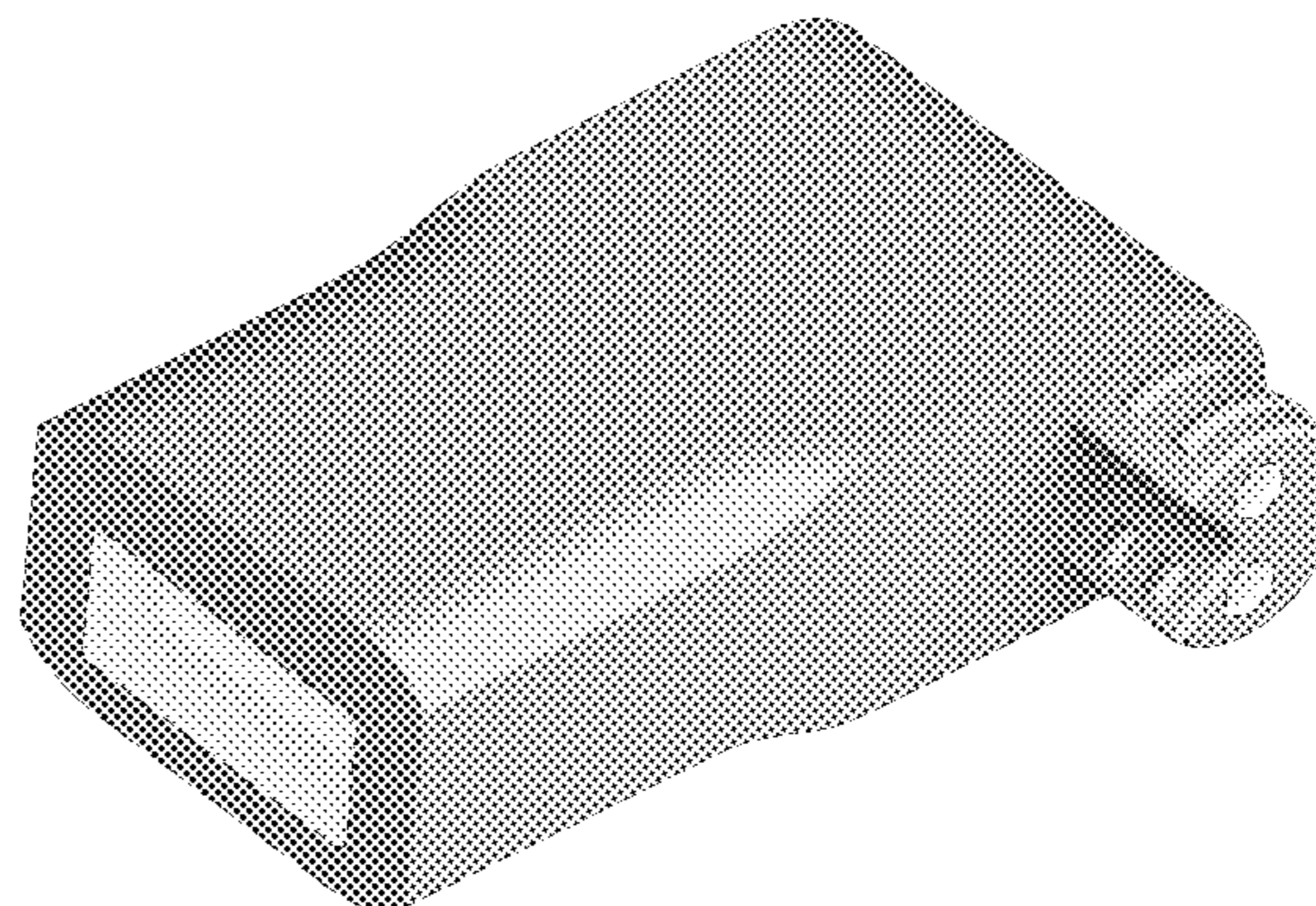
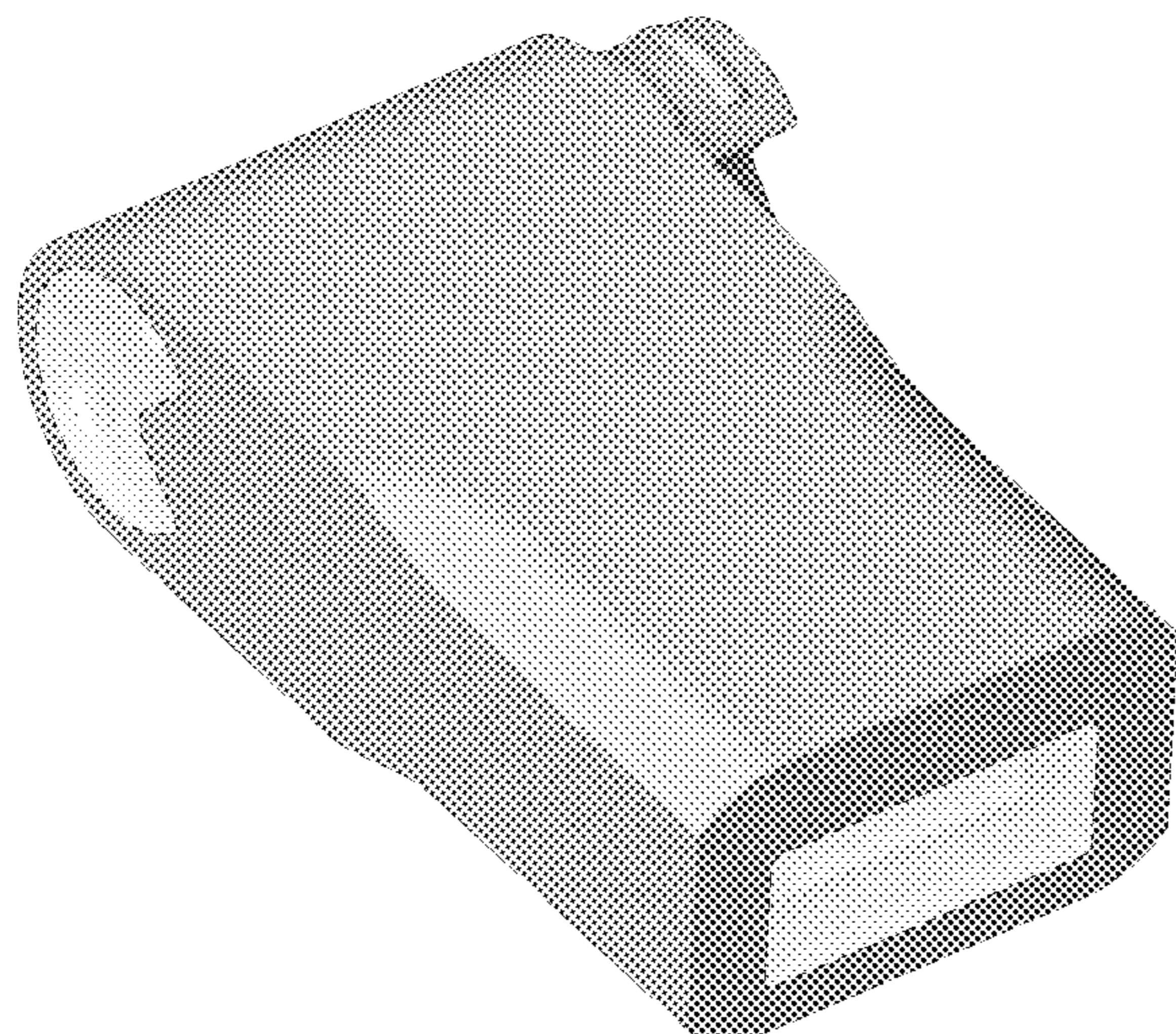
FIG. 9 is a reference drawing that shows the adapter in use; and,

FIG. 10 is another reference drawing that shows the adapter in use.

The claimed design is indicated by the relatively dark portions in the drawings, while the relatively light portions enclosed by broken lines are environmental and form no part of the claimed design.

Shading is used to illustrate the curvature of the part and not color.

1 Claim, 10 Drawing Sheets



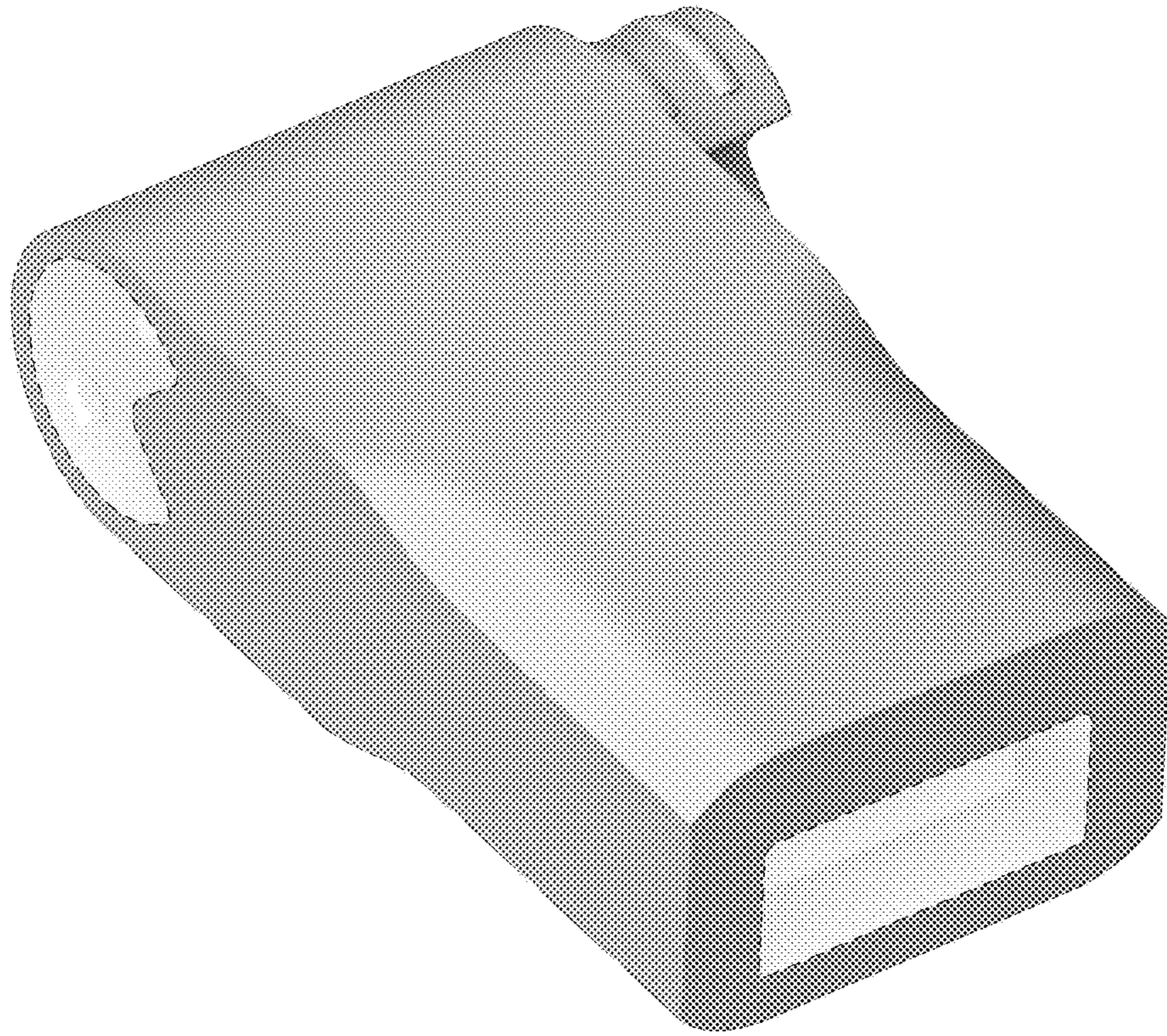


Fig. 1

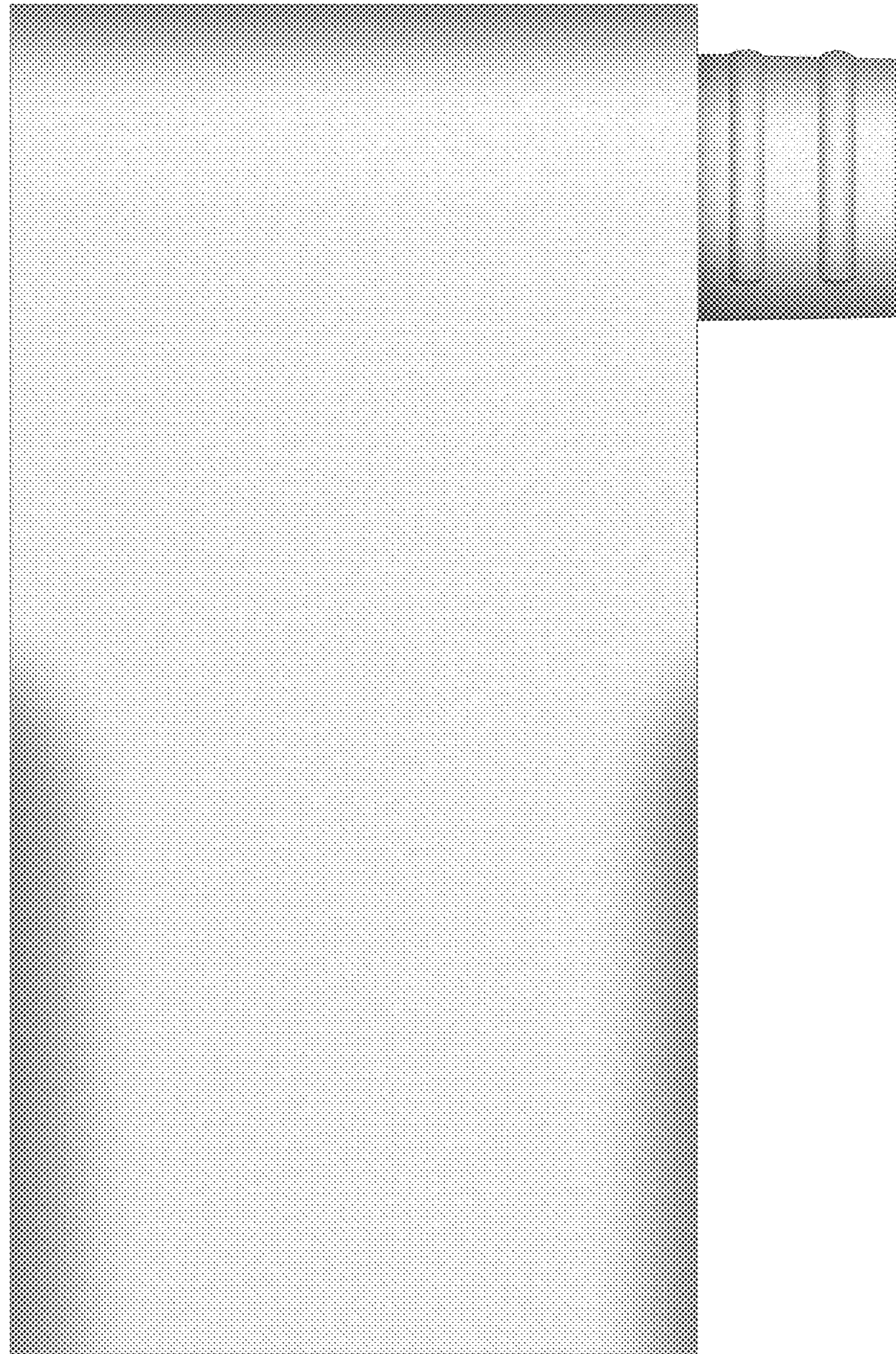


Fig. 2

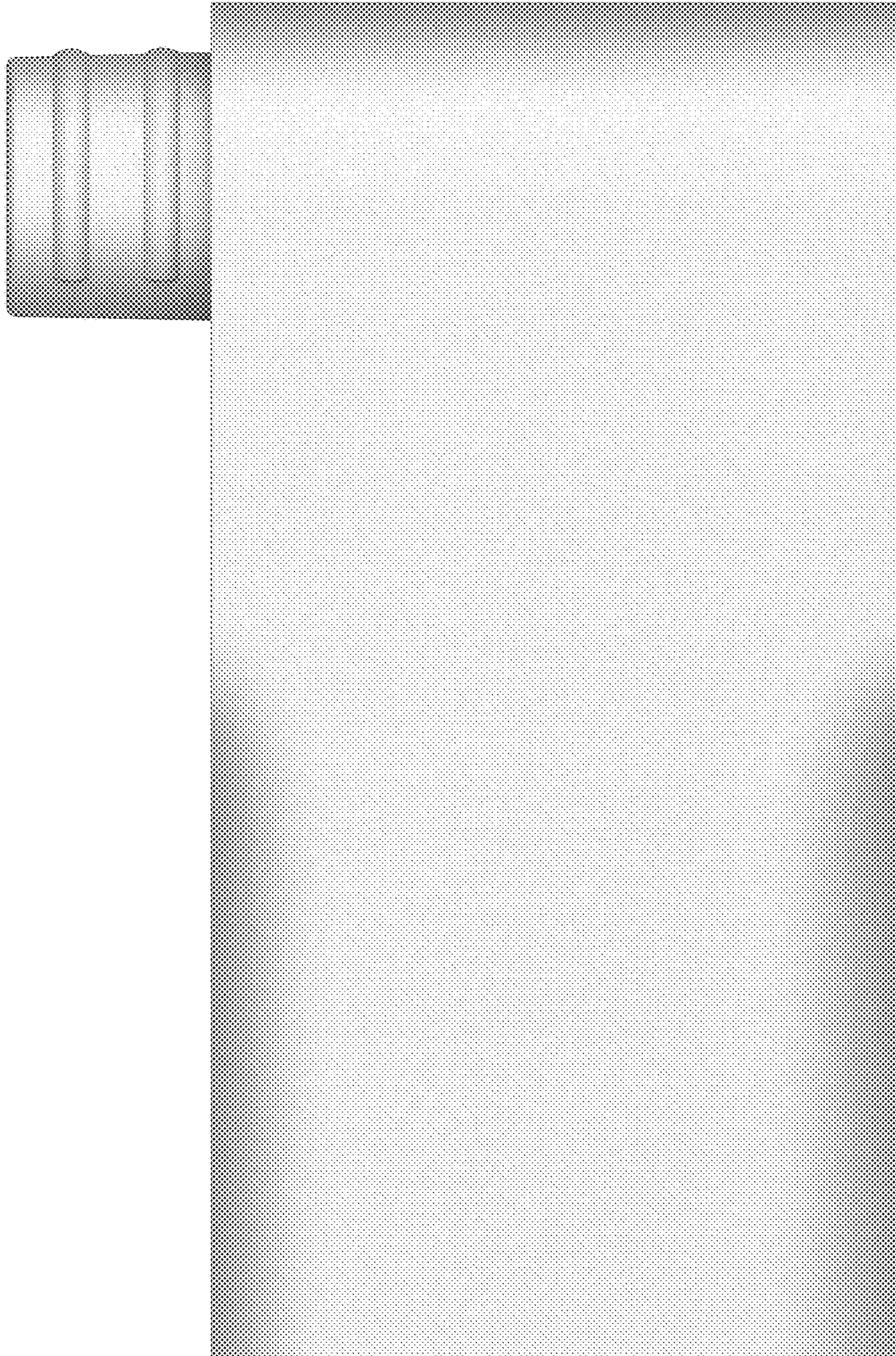


Fig. 3

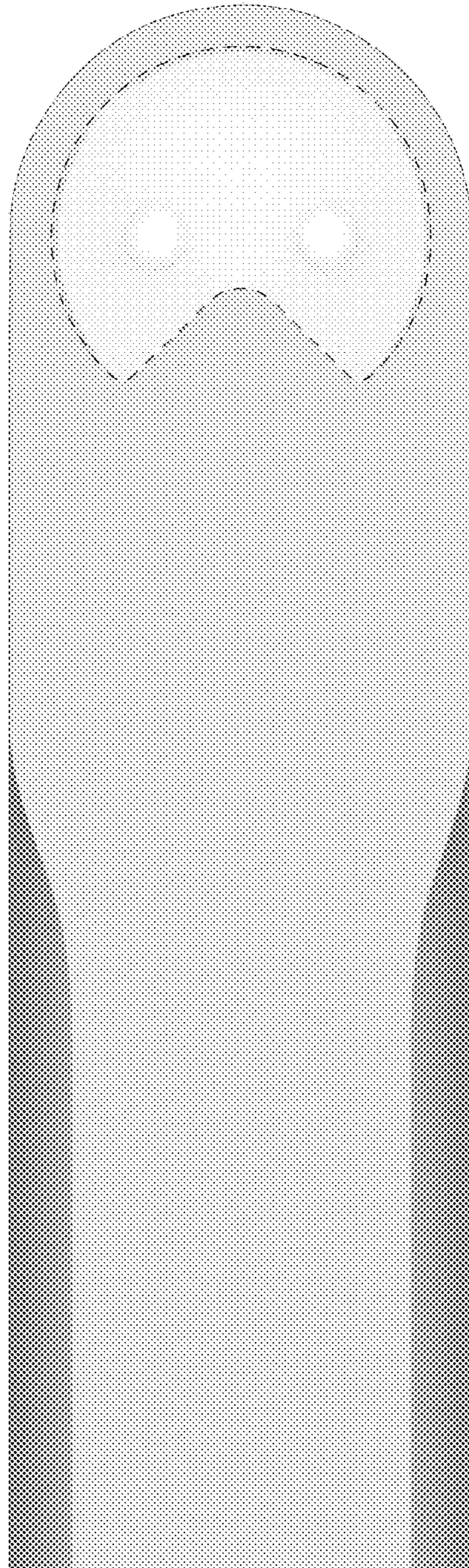


Fig. 4

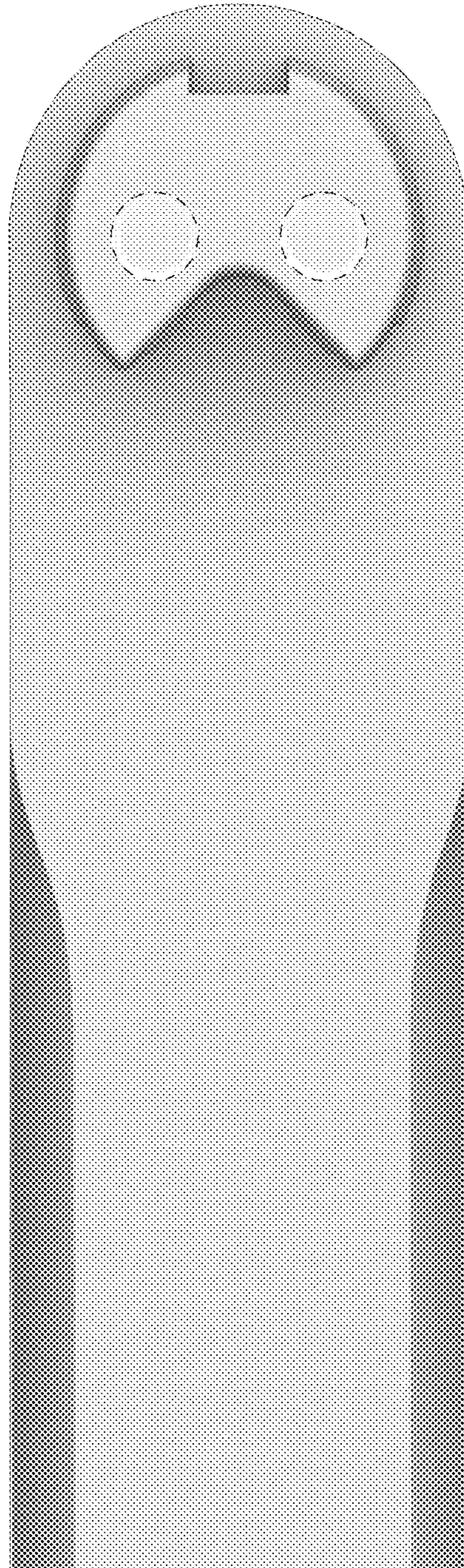


Fig. 5

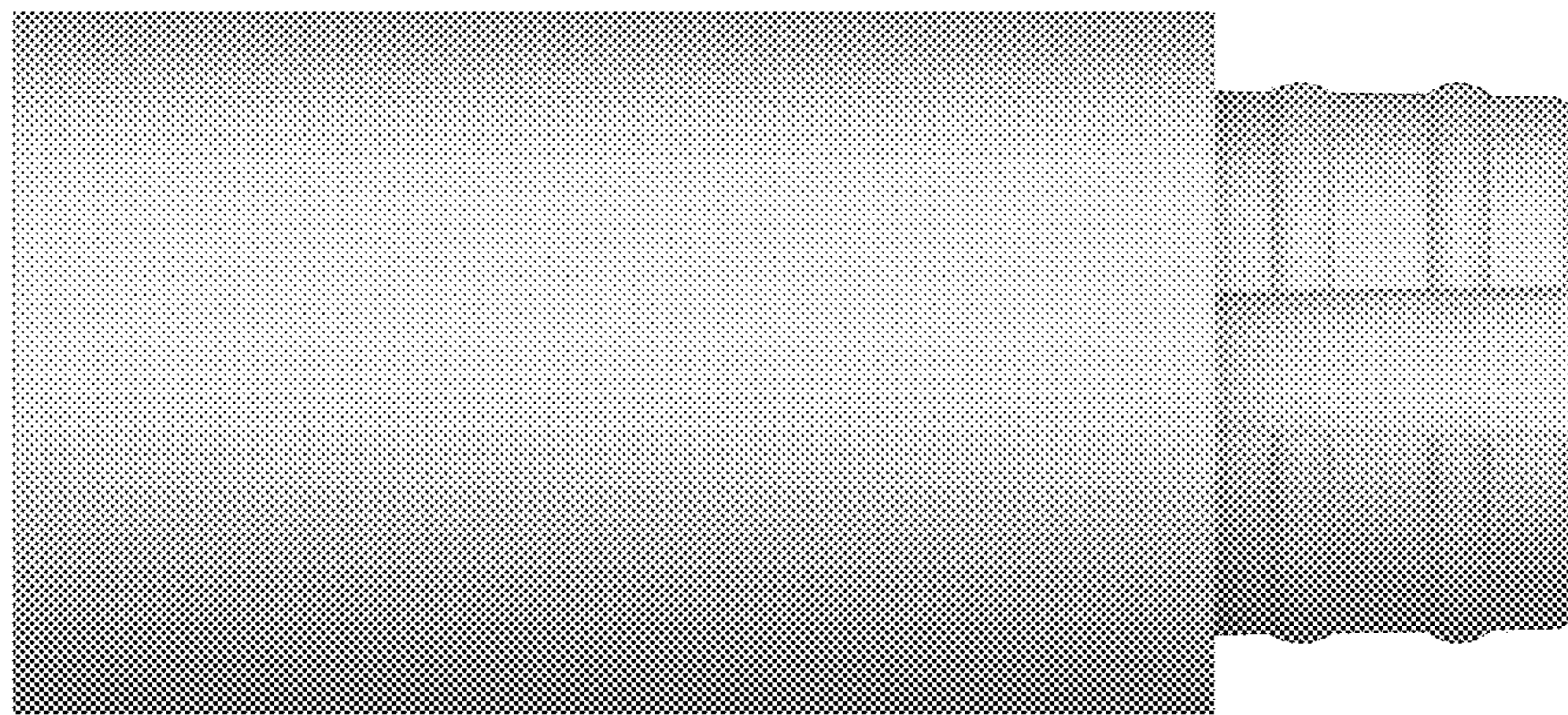


Fig. 6

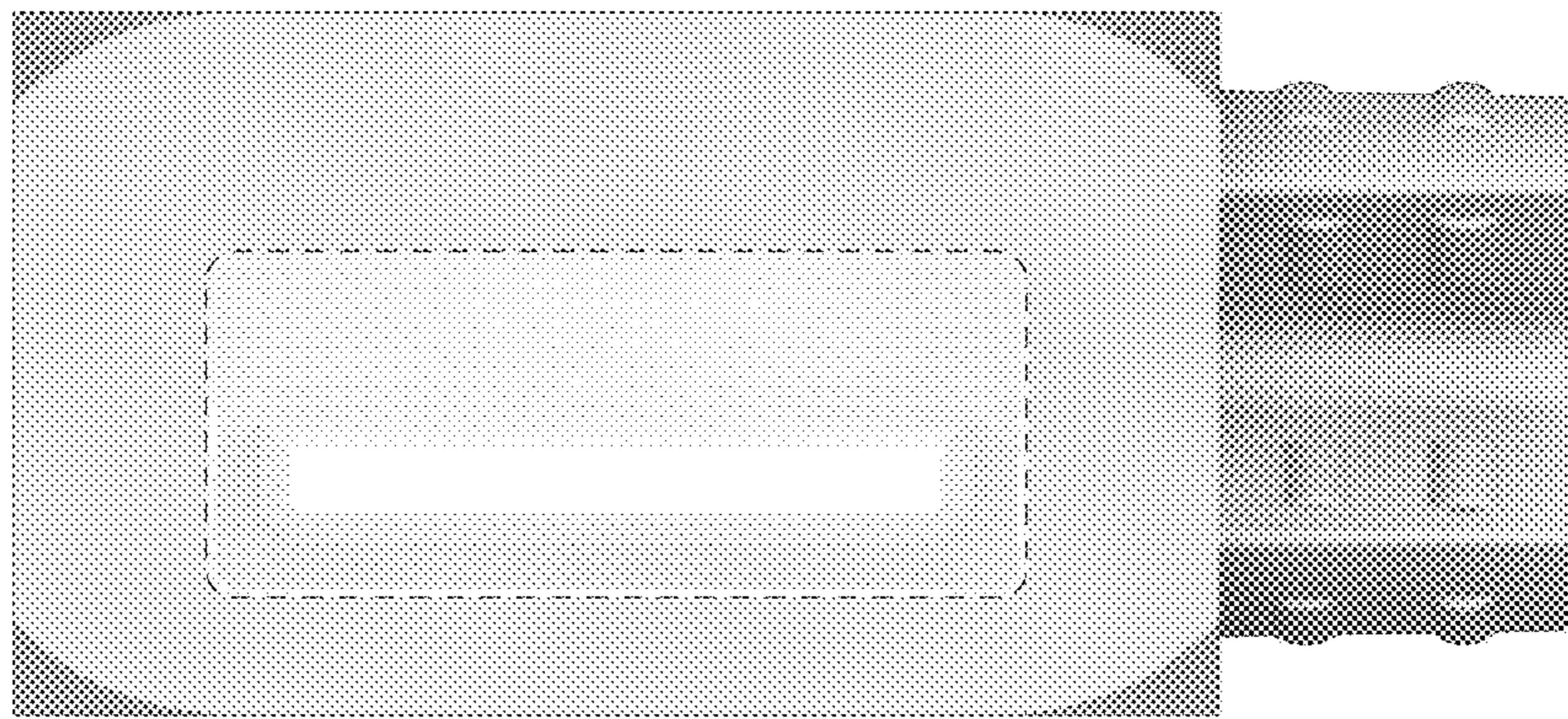


Fig. 7

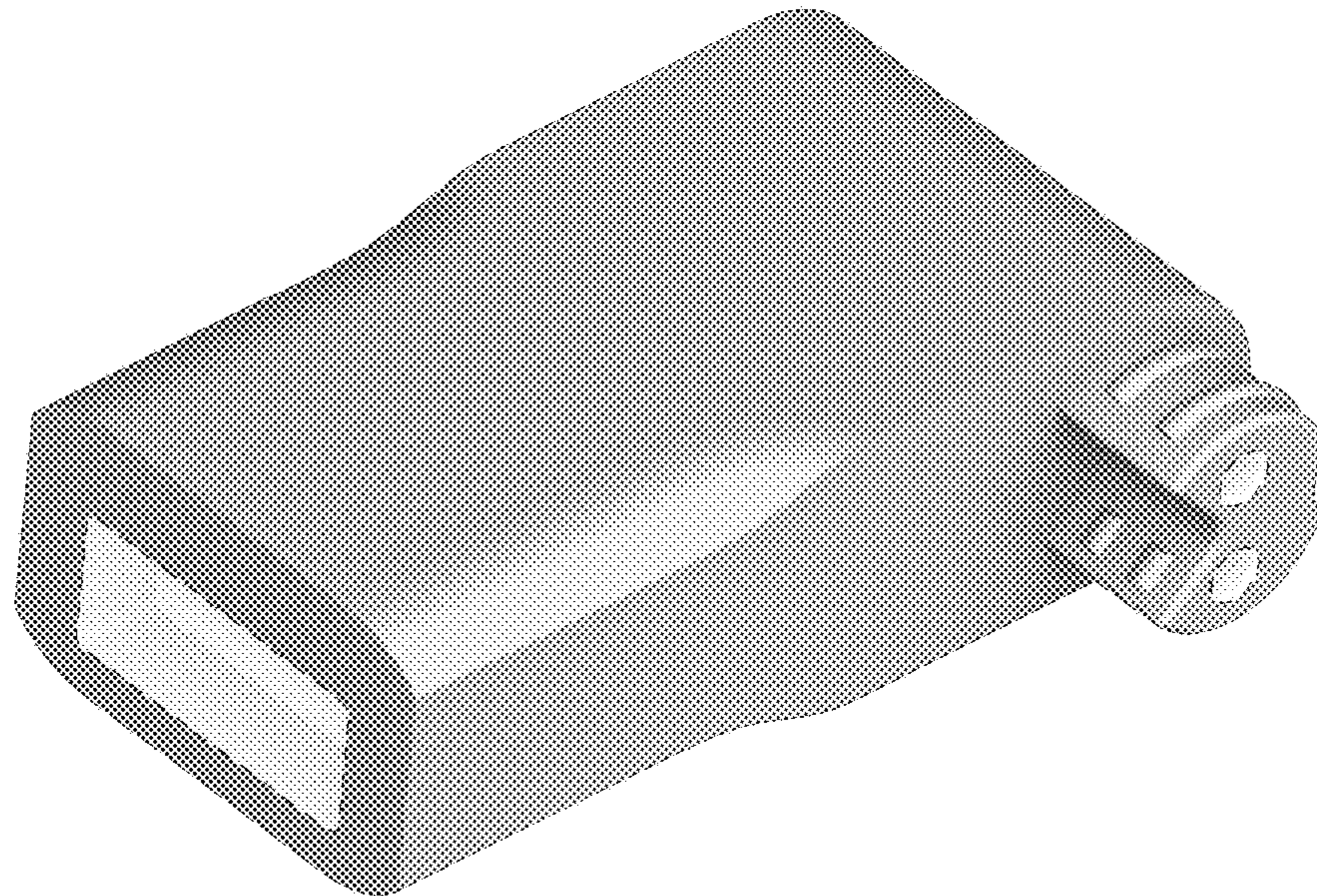


Fig. 8

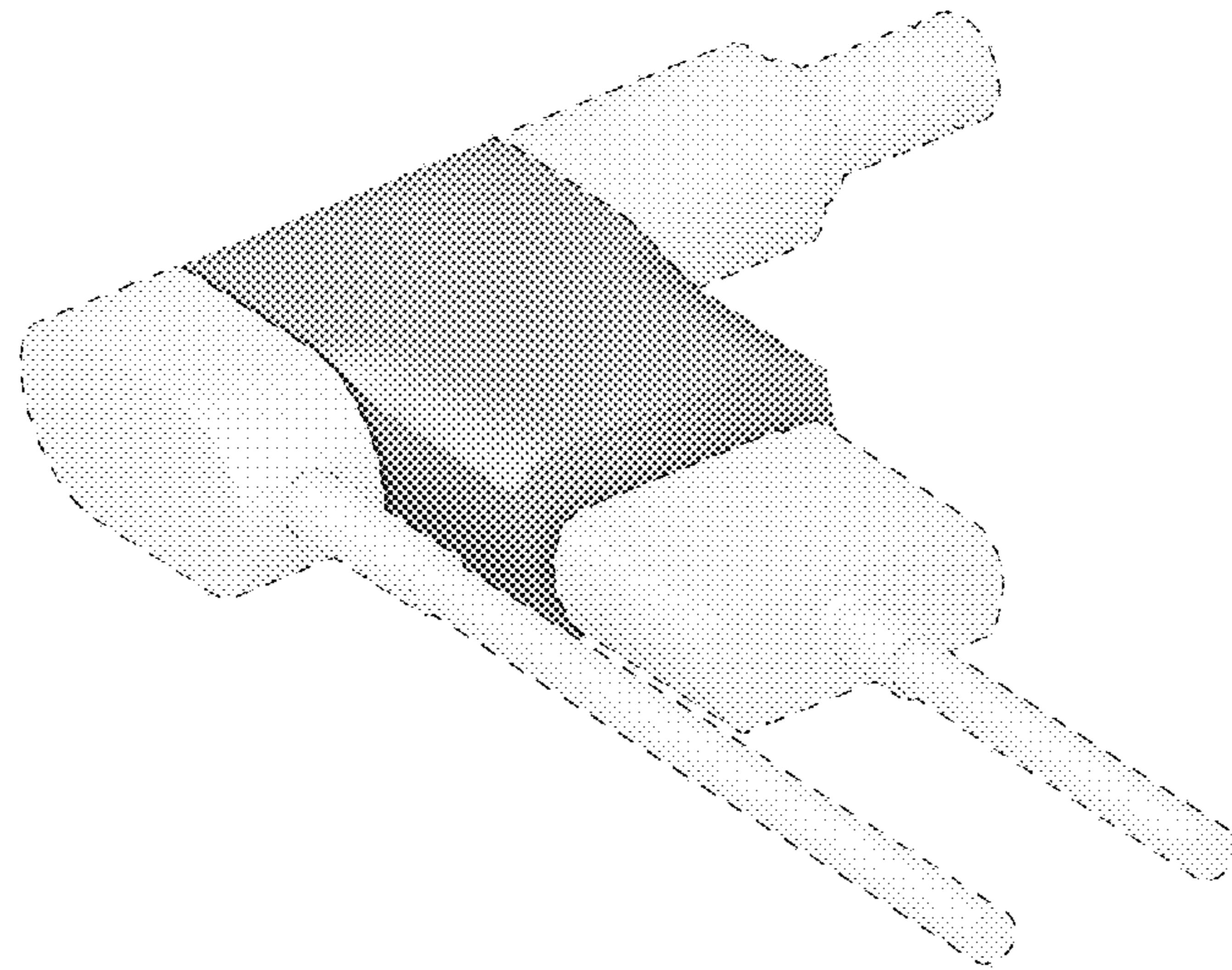


Fig. 9

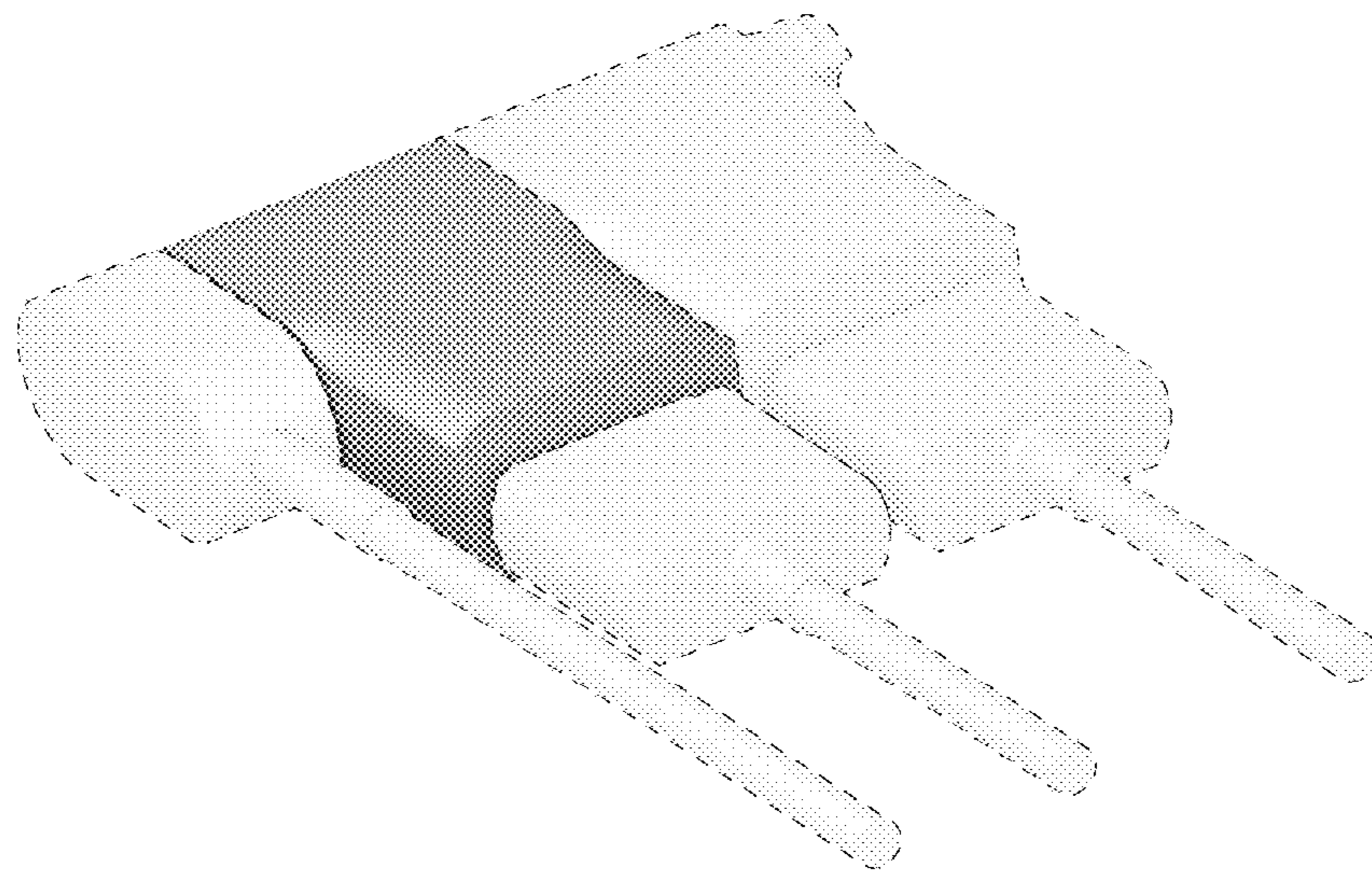


Fig. 10