



US00D834517S

(12) **United States Design Patent**
Fritz et al.

(10) **Patent No.:** **US D834,517 S**

(45) **Date of Patent:** **** Nov. 27, 2018**

(54) **PORTABLE GENERATOR**

(71) Applicant: **Briggs & Stratton Corporation**,
Wauwatosa, WI (US)

(72) Inventors: **Michael Bruce Fritz**, Oconomowoc,
WI (US); **Ryan Thomas Hahn**,
Wauwatosa, WI (US); **Ryan Sylvester**
Jaskowiak, Eagle, WI (US); **Kenny**
Stair, North Prairie, WI (US); **Mark**
David Willer, Brookfield, WI (US)

(73) Assignee: **Briggs & Stratton Corporation**,
Wauwatosa, WI (US)

(**) Term: **15 Years**

(21) Appl. No.: **29/583,694**

(22) Filed: **Nov. 8, 2016**

(51) **LOC (11) Cl.** **13-01**

(52) **U.S. Cl.**
USPC **D13/116**

(58) **Field of Classification Search**
USPC D12/180; D13/101, 102, 103, 107, 112,
D13/114, 115, 116, 118, 122, 125, 133,
D13/162.1, 184, 199; D14/188;
D23/315, 356, 377; D25/35; D32/17,
D32/68, 70, 71, 73
CPC A01D 34/6818; F02N 11/08; F02N 11/12;
F02N 11/14; H02J 7/0054; H02J 3/38;
H02J 7/0027; H01R 13/70
See application file for complete search history.

(56) **References Cited**

U.S. PATENT DOCUMENTS

D276,997 S *	1/1985	Mikado	D13/116
6,555,929 B1	4/2003	Eaton et al.		
6,707,170 B2	3/2004	Fukaya		
D494,929 S *	8/2004	Imai	D13/116
6,819,007 B2	11/2004	Fukaya		
D509,795 S *	9/2005	Buck	D13/116

6,943,531 B2 9/2005 Fukaya
7,064,454 B2 6/2006 Fukaya et al.
7,398,747 B2 7/2008 Onodera et al.
(Continued)

OTHER PUBLICATIONS

QuietPower Series Inverter Generator, posted at Briggsandstratton.com, posted on May 21, 2017. online, Available from Internet: https://www.briggsandstratton.com/na/en_us/innovations/portable-generators/quietpower.html.*

Primary Examiner — Mary Ann Calabrese

Assistant Examiner — Catherine Ho

(74) *Attorney, Agent, or Firm* — Foley & Lardner LLP

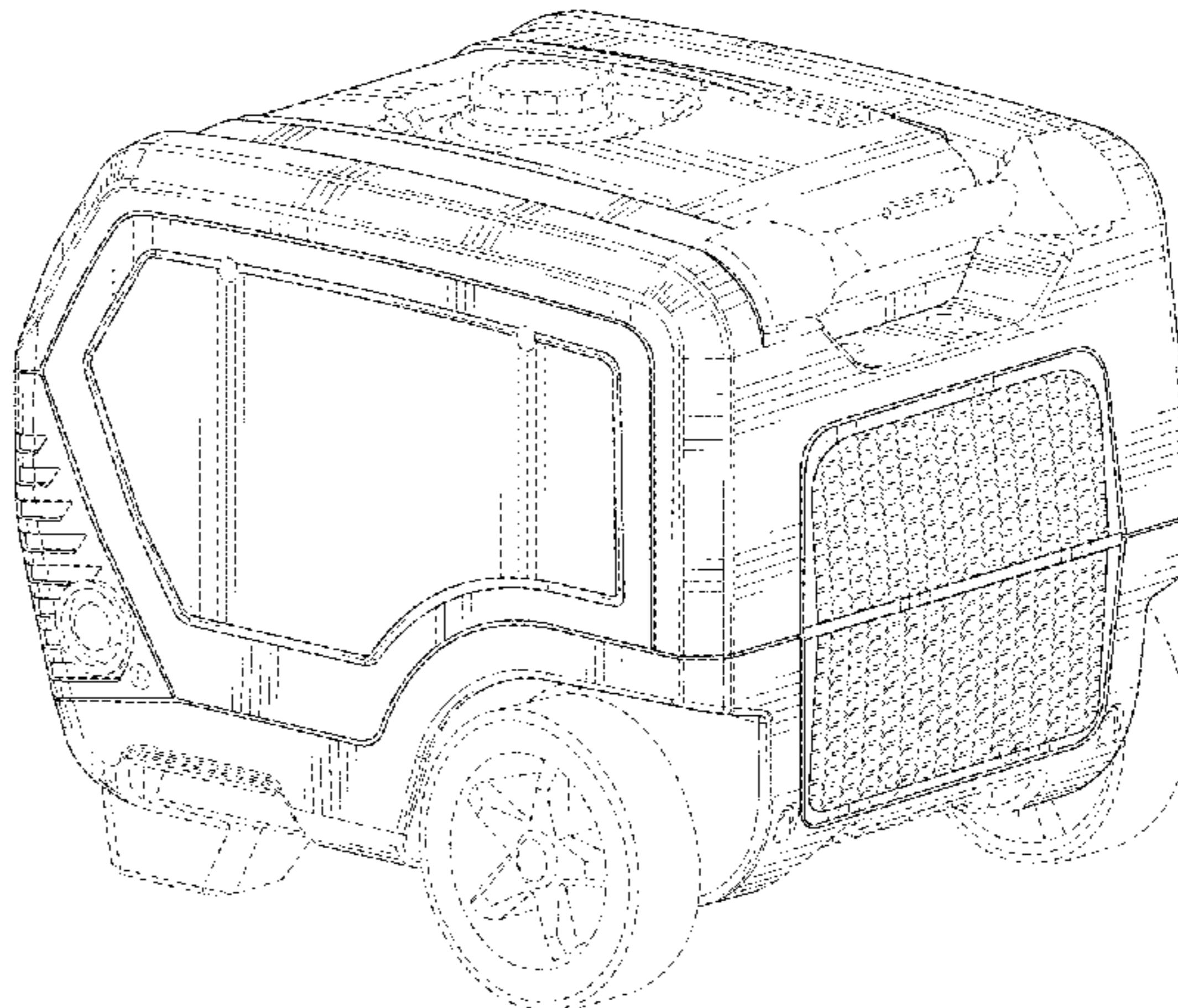
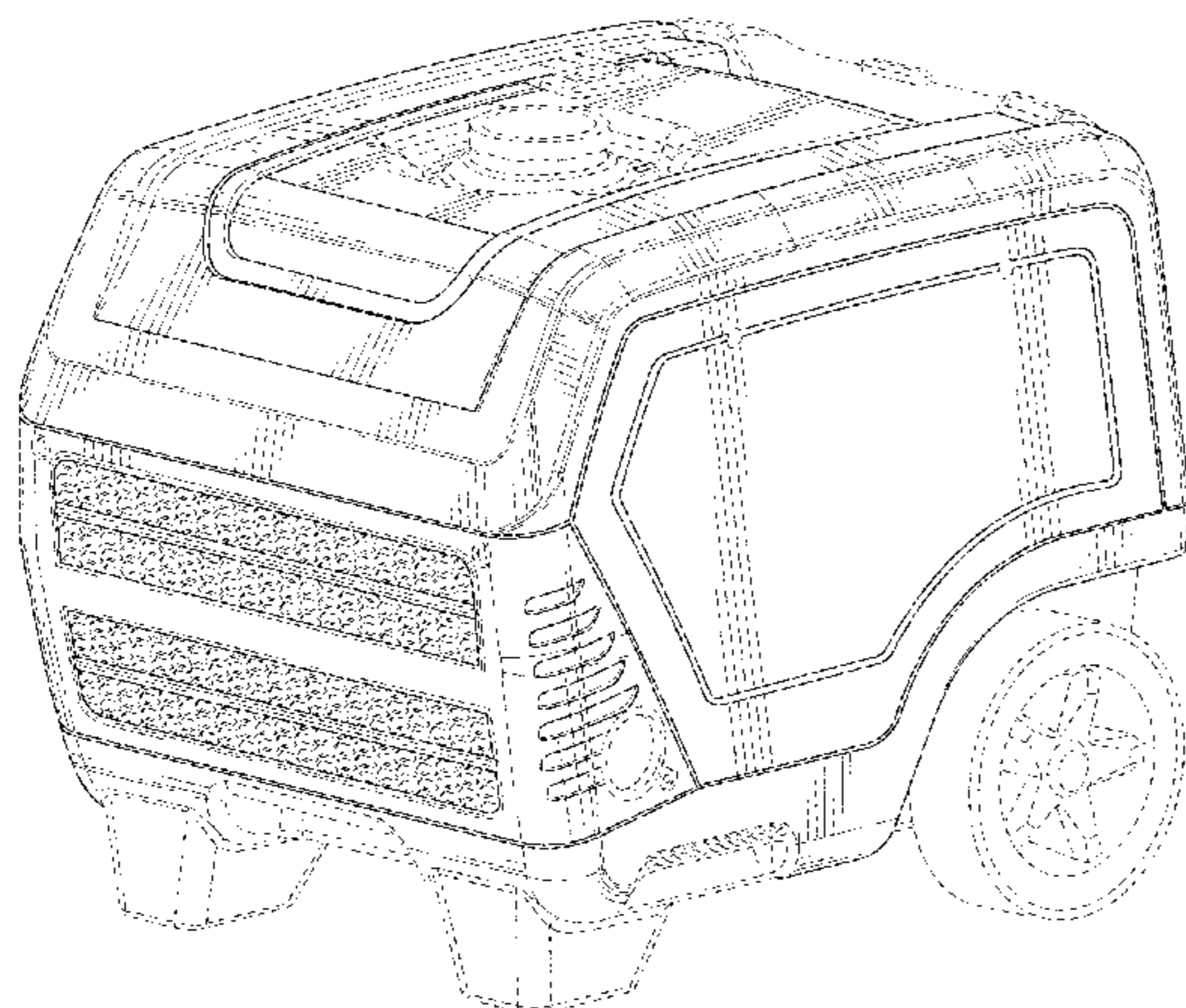
(57) **CLAIM**

We claim the ornamental design for a portable generator, as shown and described.

DESCRIPTION

FIG. 1 is a front perspective view from the right side of a portable generator according to the claimed design;
FIG. 2 is a front perspective view from the left side of the portable generator of FIG. 1;
FIG. 3 is a rear perspective view from the right side of the portable generator of FIG. 1;
FIG. 4 is a front view of the portable generator of FIG. 1;
FIG. 5 is a rear view of the portable generator of FIG. 1;
FIG. 6 is a left side view of the portable generator of FIG. 1;
FIG. 7 is a right side view of the portable generator of FIG. 1;
FIG. 8 is a top view of the portable generator of FIG. 1;
FIG. 9 is a bottom view of the portable generator of FIG. 1;
and,
FIG. 10 is a front perspective view from the right side of the portable generator of FIG. 1 with a handle extended.
The broken line portion of the figure drawings is included to show portions of the article that form no part of the claimed design.

1 Claim, 10 Drawing Sheets



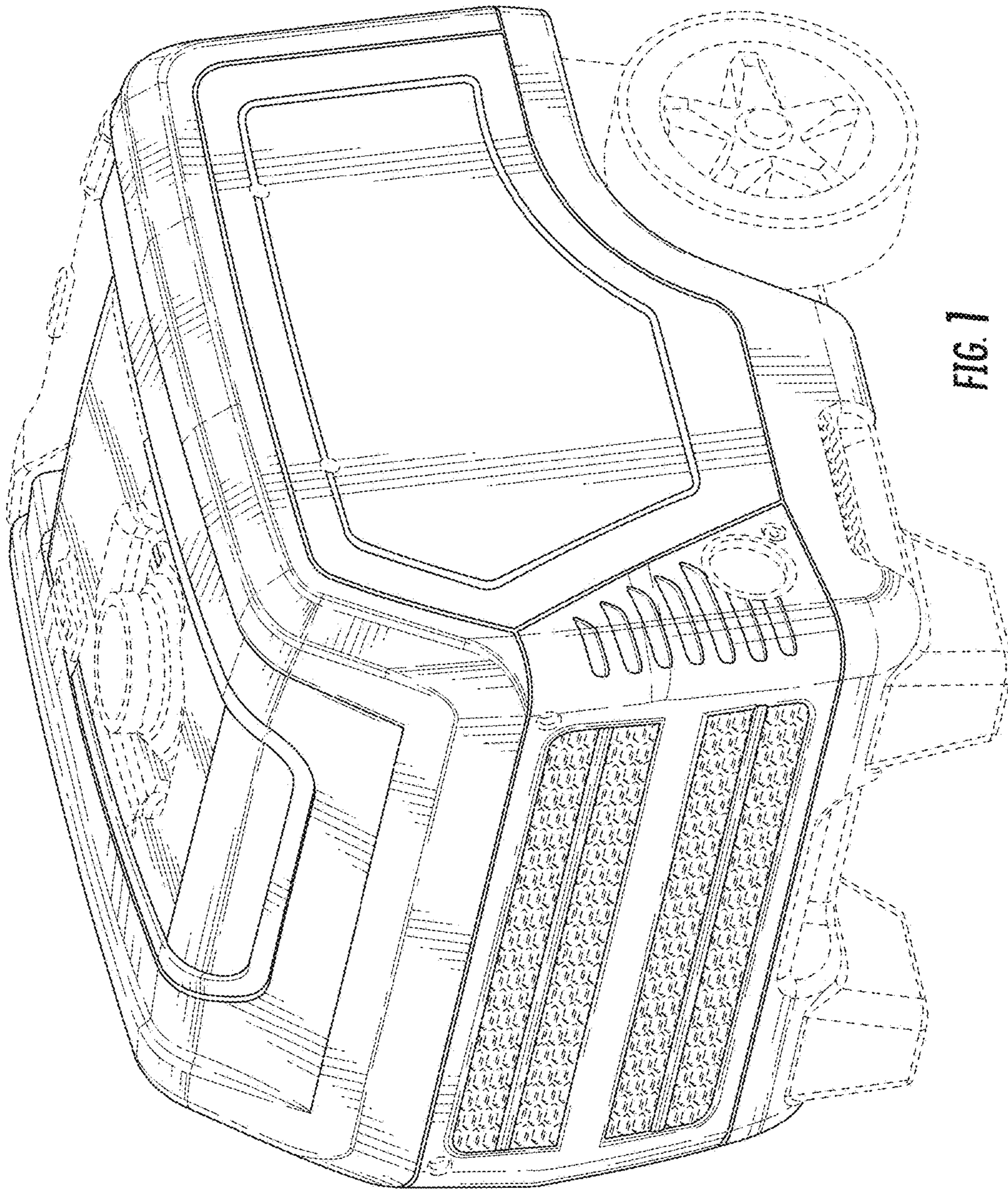
(56)

References Cited

U.S. PATENT DOCUMENTS

7,430,992	B2	10/2008	Murakami et al.	
7,482,706	B2	1/2009	Uchimi et al.	
D593,946	S *	6/2009	Takamura	D13/122
D597,944	S *	8/2009	Takamura	D13/116
D597,945	S *	8/2009	Takamura	D13/122
7,597,340	B2	10/2009	Hirose et al.	
7,673,589	B2	3/2010	Shimada et al.	
7,705,478	B2	4/2010	Hirose et al.	
D617,269	S	6/2010	Van Deursen	
7,743,739	B2	6/2010	Kochi et al.	
7,779,793	B2	8/2010	Ito et al.	
D629,748	S	12/2010	Van Deursen	
D644,993	S	9/2011	Van Deursen	
8,210,133	B2 *	7/2012	Hirose	F01P 5/06 123/198 E
8,294,431	B2	10/2012	McLean et al.	
8,400,001	B2	3/2013	Eaton et al.	
8,567,570	B2	10/2013	Junk et al.	
8,698,330	B2	4/2014	Taketomi	
8,987,938	B2	3/2015	Eschrich et al.	
D727,847	S	4/2015	Jaskowak	
9,470,269	B2 *	10/2016	West	F02B 63/06
D795,191	S *	8/2017	Wang	D13/116
9,771,882	B2 *	9/2017	Repasky	F02D 33/006
2004/0155466	A1 *	8/2004	Sodemann	F02D 29/06 290/1 A
2007/0176426	A1 *	8/2007	Hirose	B62B 5/0006 290/1 A
2014/0110951	A1	4/2014	Brandon et al.	
2014/0217689	A1	8/2014	Rumao et al.	
2015/0180367	A1	6/2015	Tesch	
2015/0180393	A1	6/2015	Tesch	

* cited by examiner



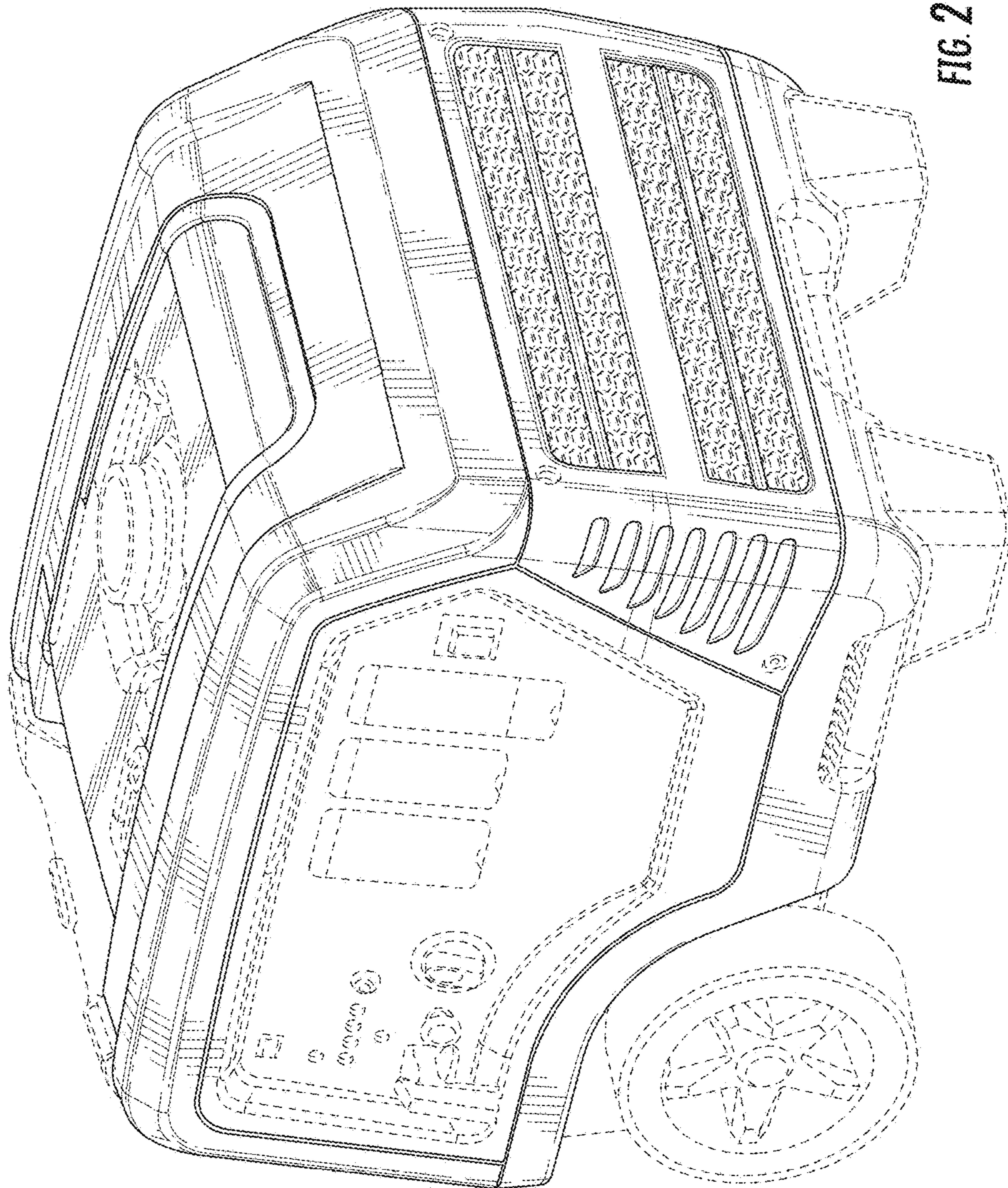


FIG. 2

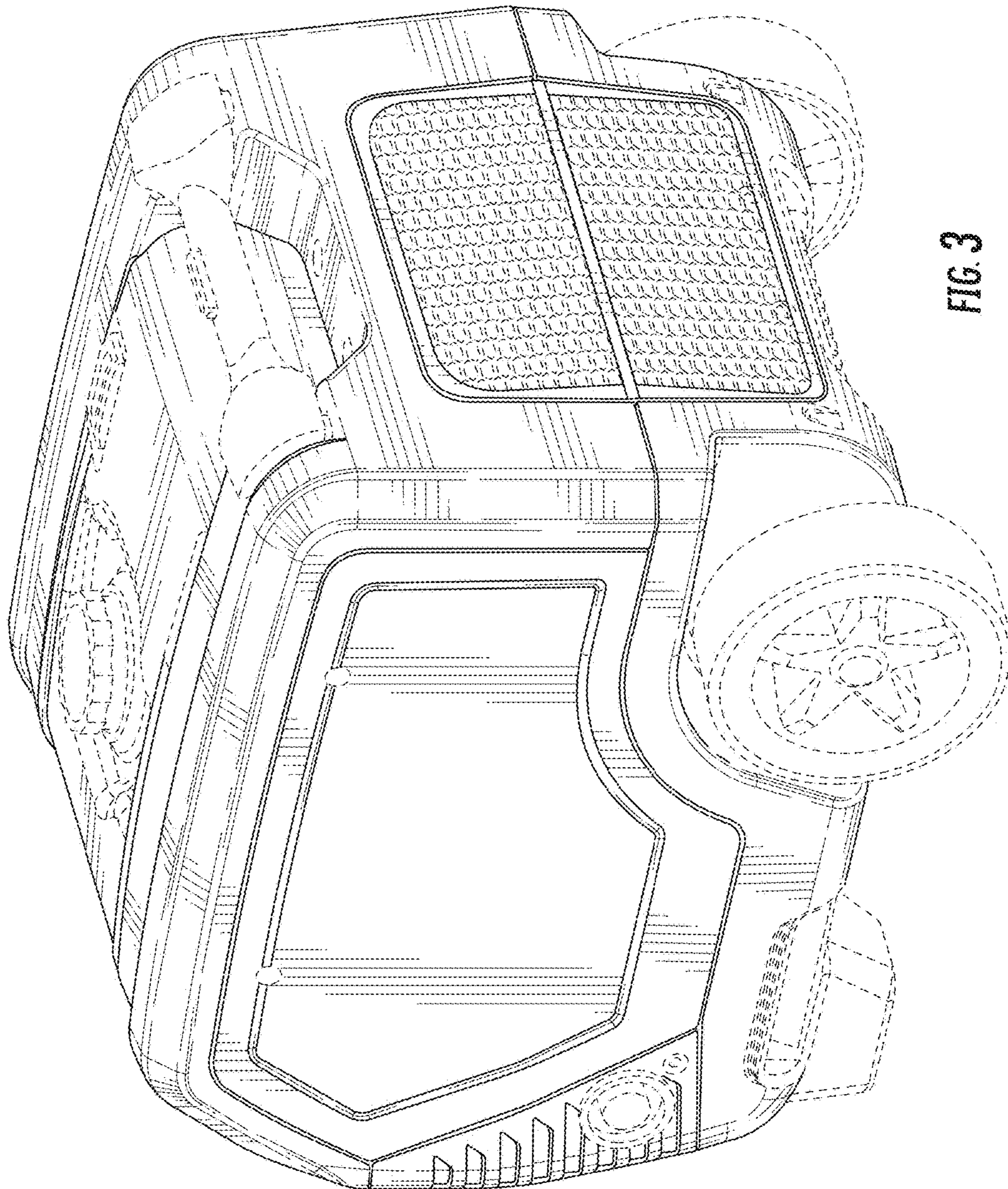


FIG. 3

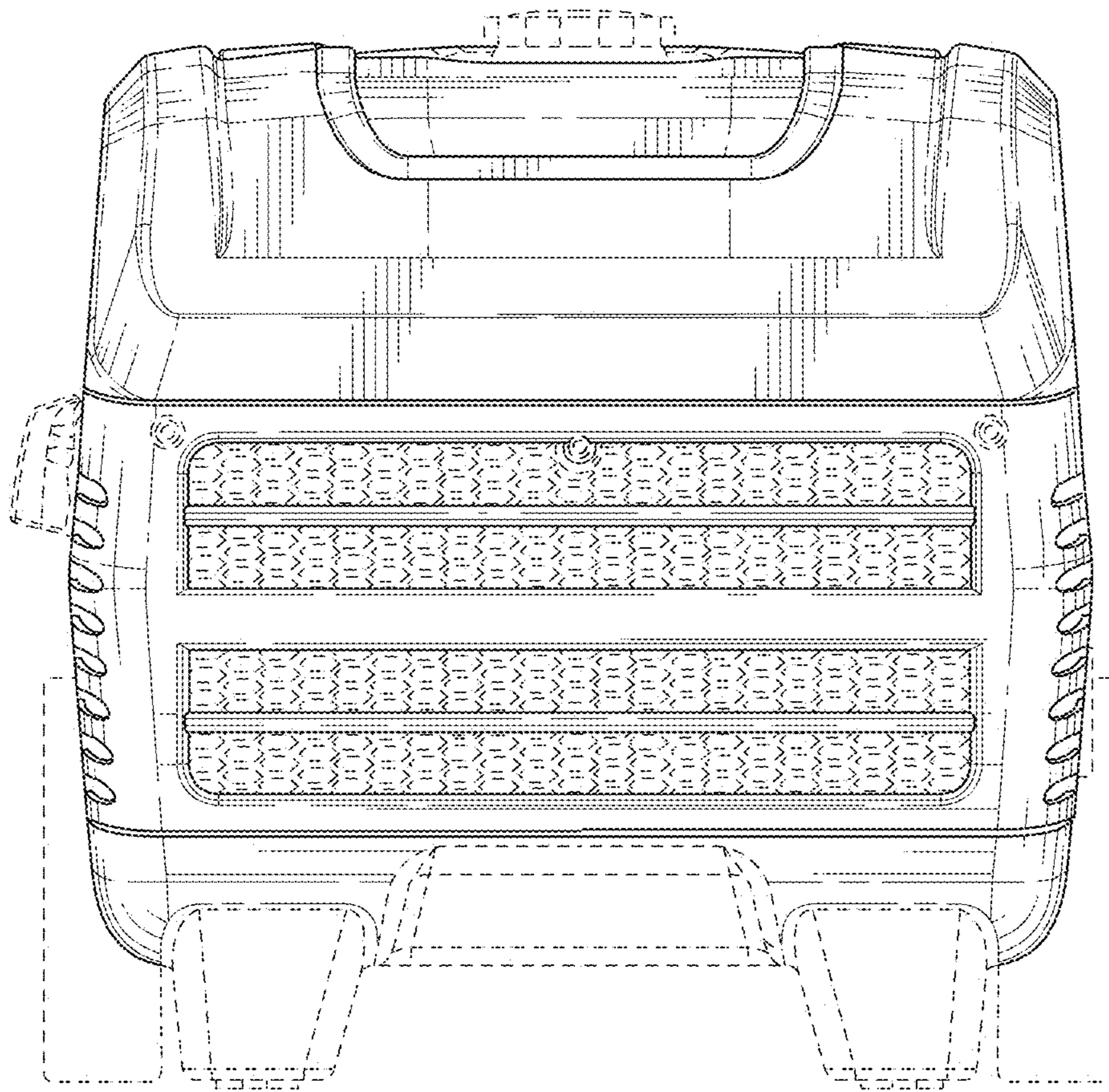


FIG. 4

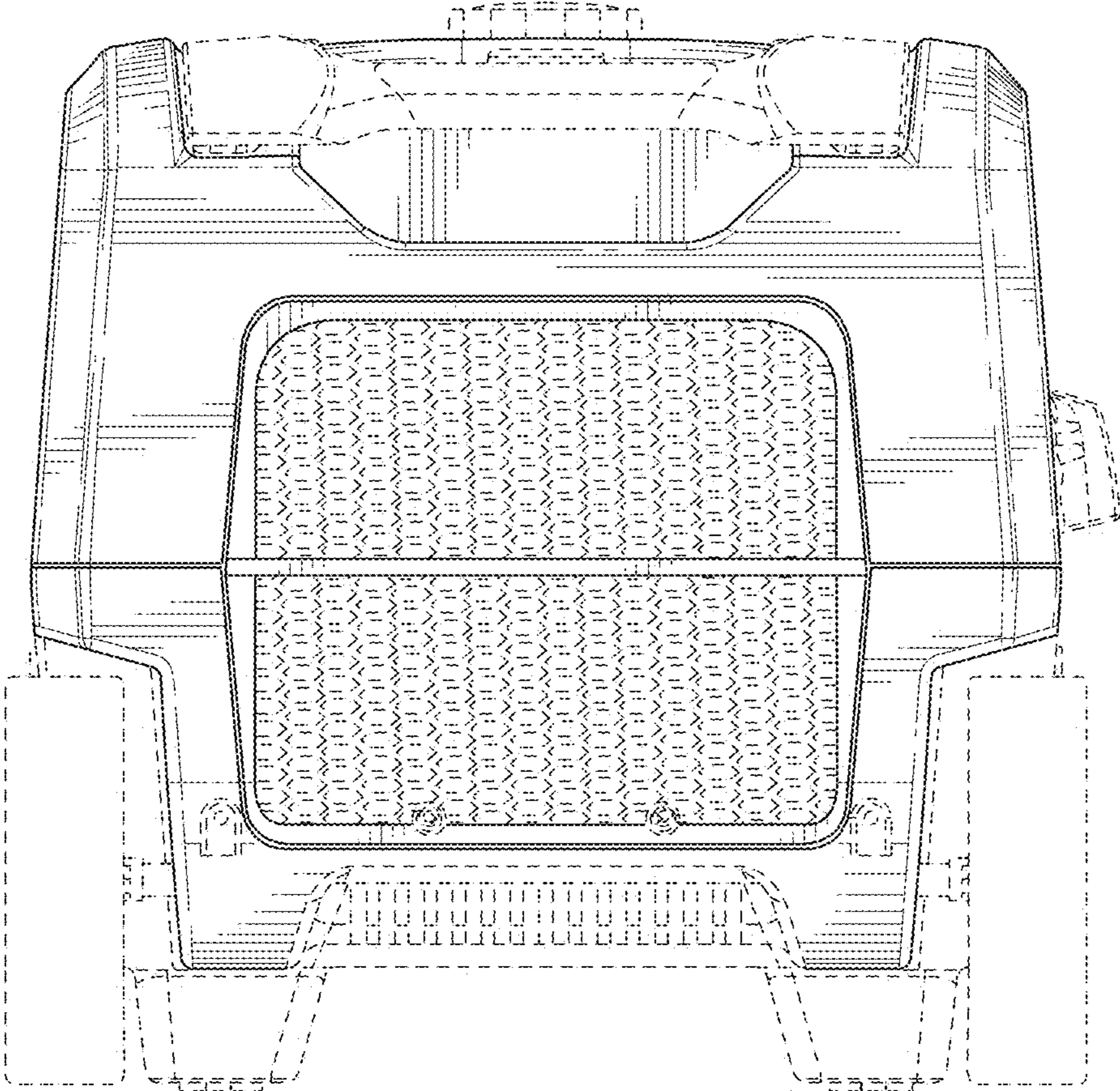


FIG. 5

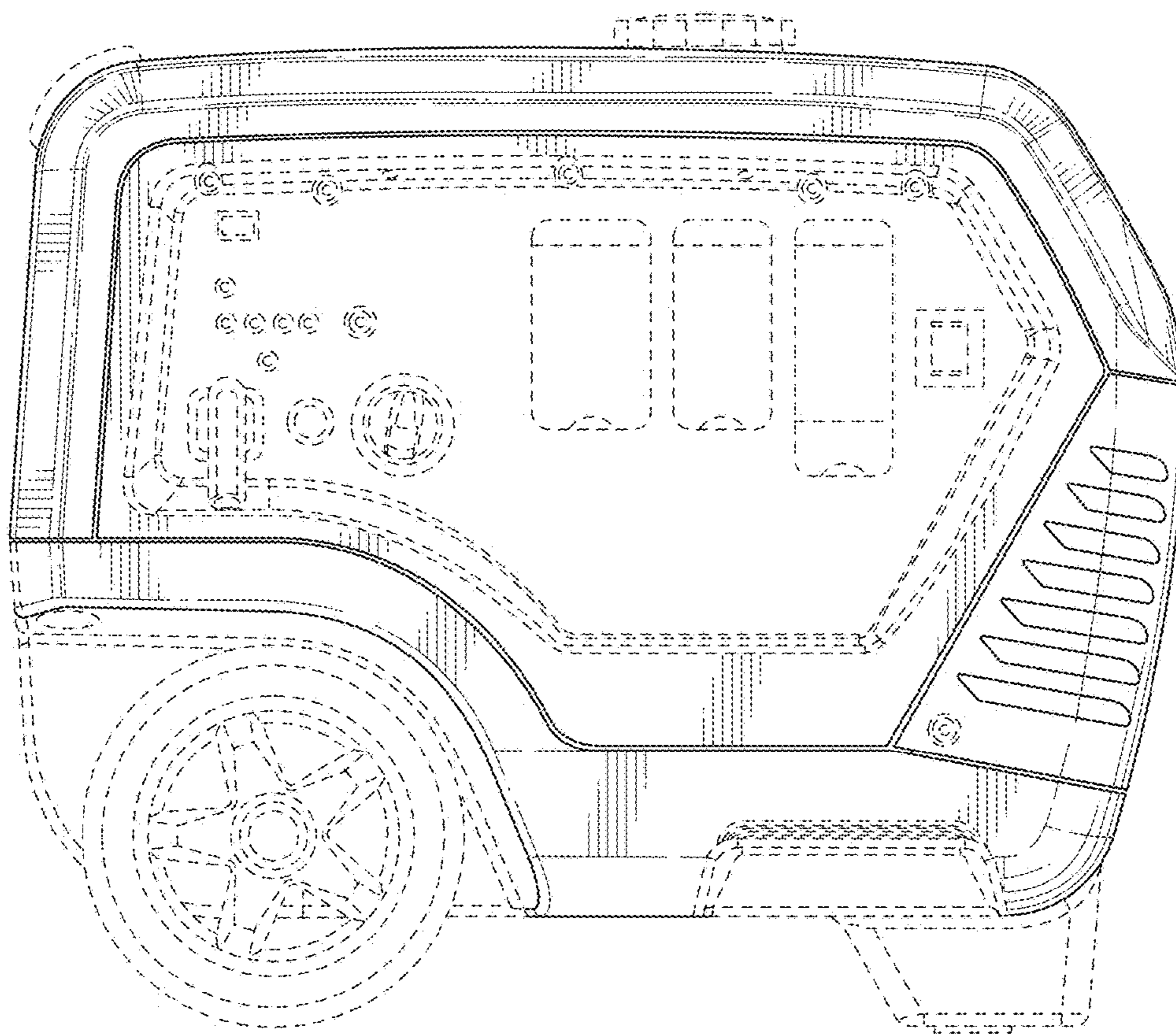


FIG. 6

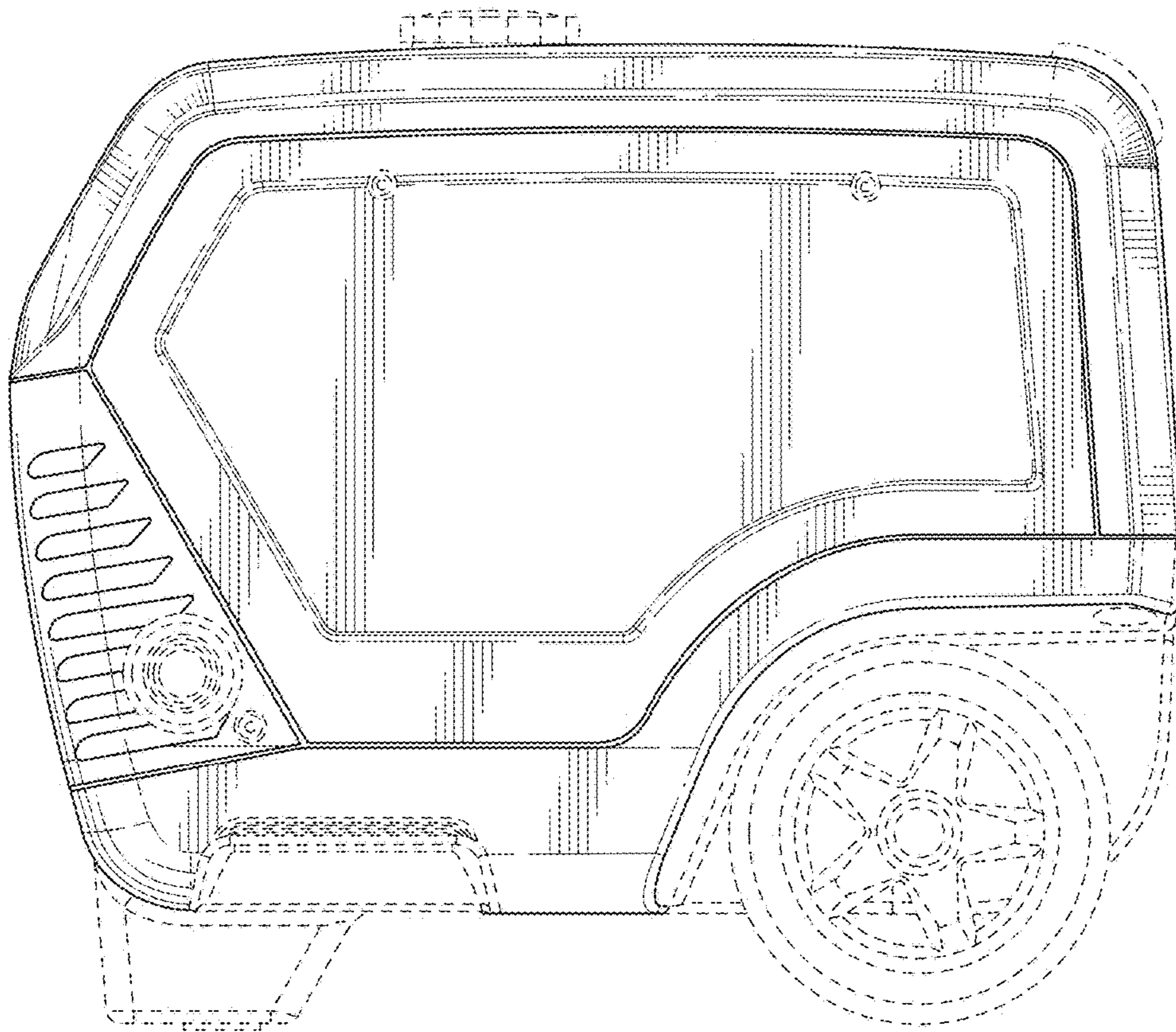


FIG. 7

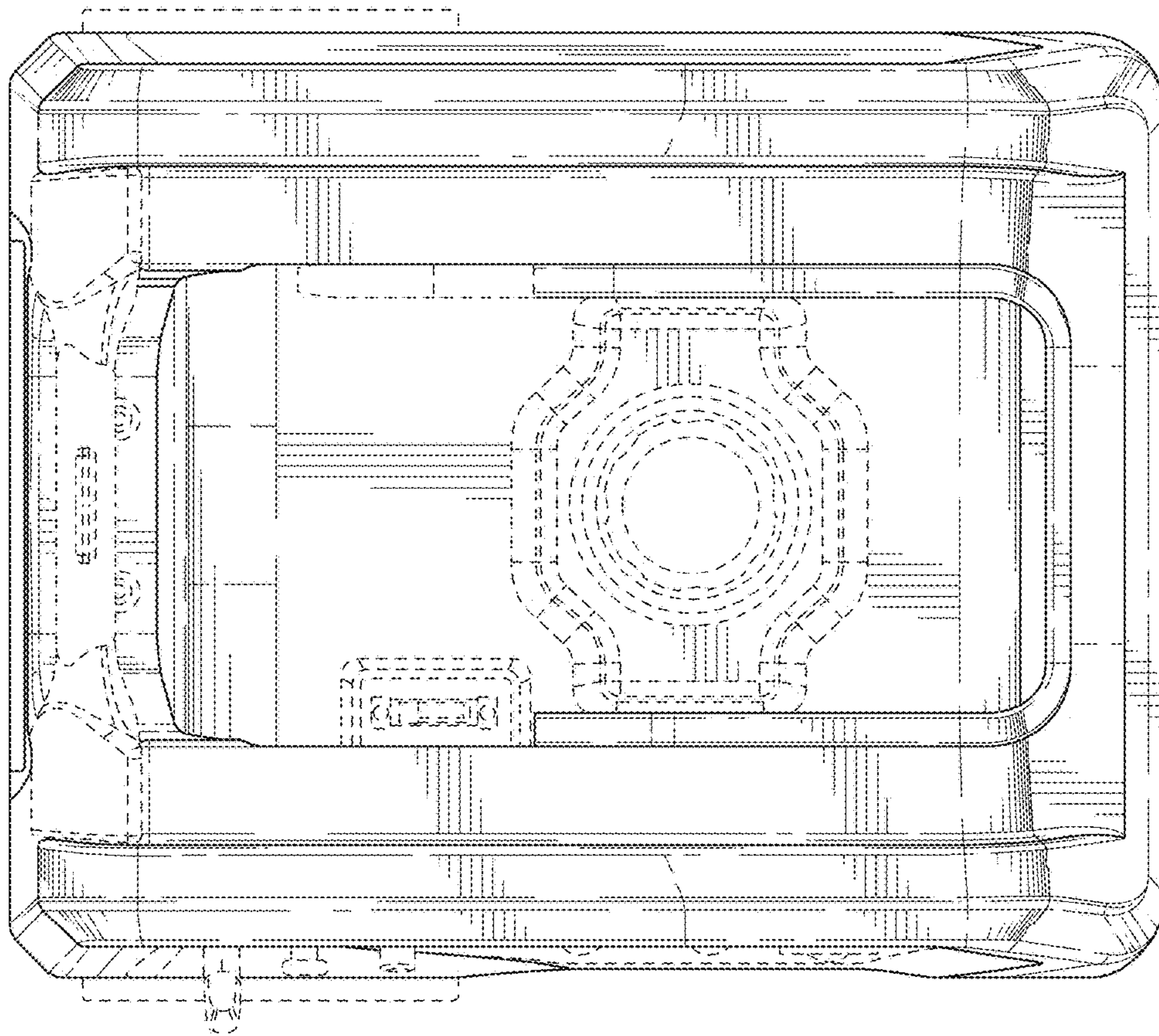


FIG. 8

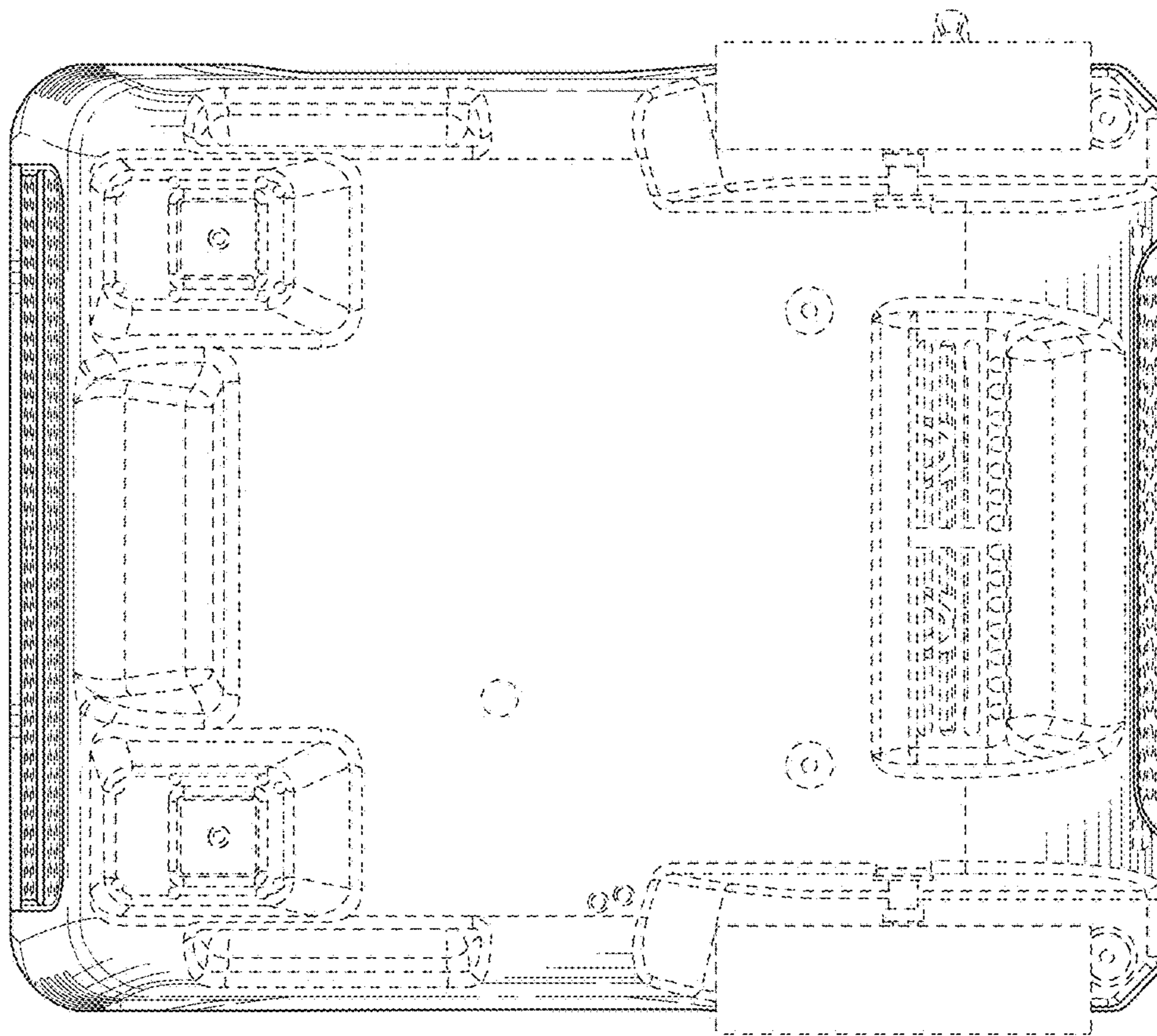


FIG. 9

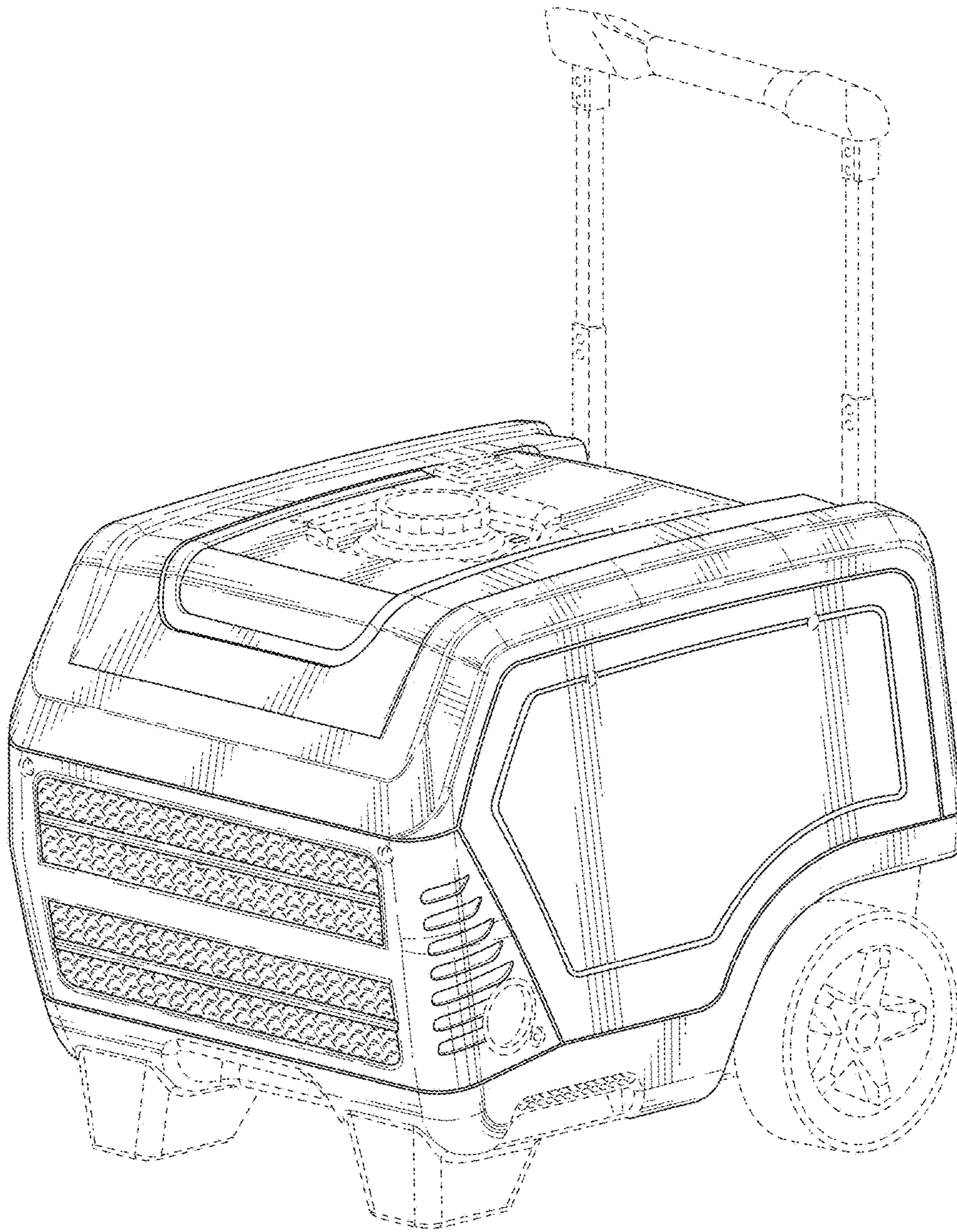


FIG. 10