



US00D834516S

(12) **United States Design Patent** (10) **Patent No.:** **US D834,516 S**
Jin (45) **Date of Patent:** **** Nov. 27, 2018**

(54) **DUAL USB WALL CHARGER**
(71) Applicant: **Zhiwei Jin**, Shenzhen (CN)
(72) Inventor: **Zhiwei Jin**, Shenzhen (CN)
(**) Term: **15 Years**
(21) Appl. No.: **29/618,827**
(22) Filed: **Sep. 25, 2017**
(51) **LOC (11) Cl.** **13-02**
(52) **U.S. Cl.**
USPC **D13/108**
(58) **Field of Classification Search**
USPC D13/107–110, 118–119, 184, 199;
D14/251, 253, 432, 434
CPC Y02E 60/12; Y02T 90/14; Y02T 90/122;
Y02T 90/128; Y02T 90/163; H02J 7/025;
H02J 7/0042; H02J 7/0044; H02J 7/0045;
H02J 7/0003; H01F 38/14; H01M 2/1022;
H01M 2/1055; H01M 10/44; H01M
10/46; H01M 10/425; B60L 11/182;
H01R 13/6675
See application file for complete search history.

D655,244 S * 3/2012 Au D13/108
D660,796 S * 5/2012 Wen D13/110
D683,314 S * 5/2013 Andre D13/108
D693,764 S * 11/2013 Hok Man D13/108
D702,631 S * 4/2014 Esses D13/108
D711,823 S * 8/2014 Akana D13/110
D719,092 S * 12/2014 Huang D13/110
D731,970 S * 6/2015 Kamath D13/110
D734,259 S * 7/2015 Cepress D13/110
D740,751 S * 10/2015 Akana D13/110
D741,257 S * 10/2015 Sumida D13/108
D742,309 S * 11/2015 Sumida D13/108
D778,914 S * 2/2017 Huang D13/110
D790,465 S * 6/2017 Zhao D13/110
D798,233 S * 9/2017 Huang D13/108
D799,422 S * 10/2017 Chen D13/108
D804,412 S * 12/2017 Huang D13/108
D819,566 S * 6/2018 Hung D13/110

* cited by examiner

Primary Examiner — Rosemary K Tarcza
(74) *Attorney, Agent, or Firm* — Law Offices of Steven
W. Weinrieb

(57) **CLAIM**

The ornamental design for a dual USB wall charger, as shown and described.

(56) **References Cited**

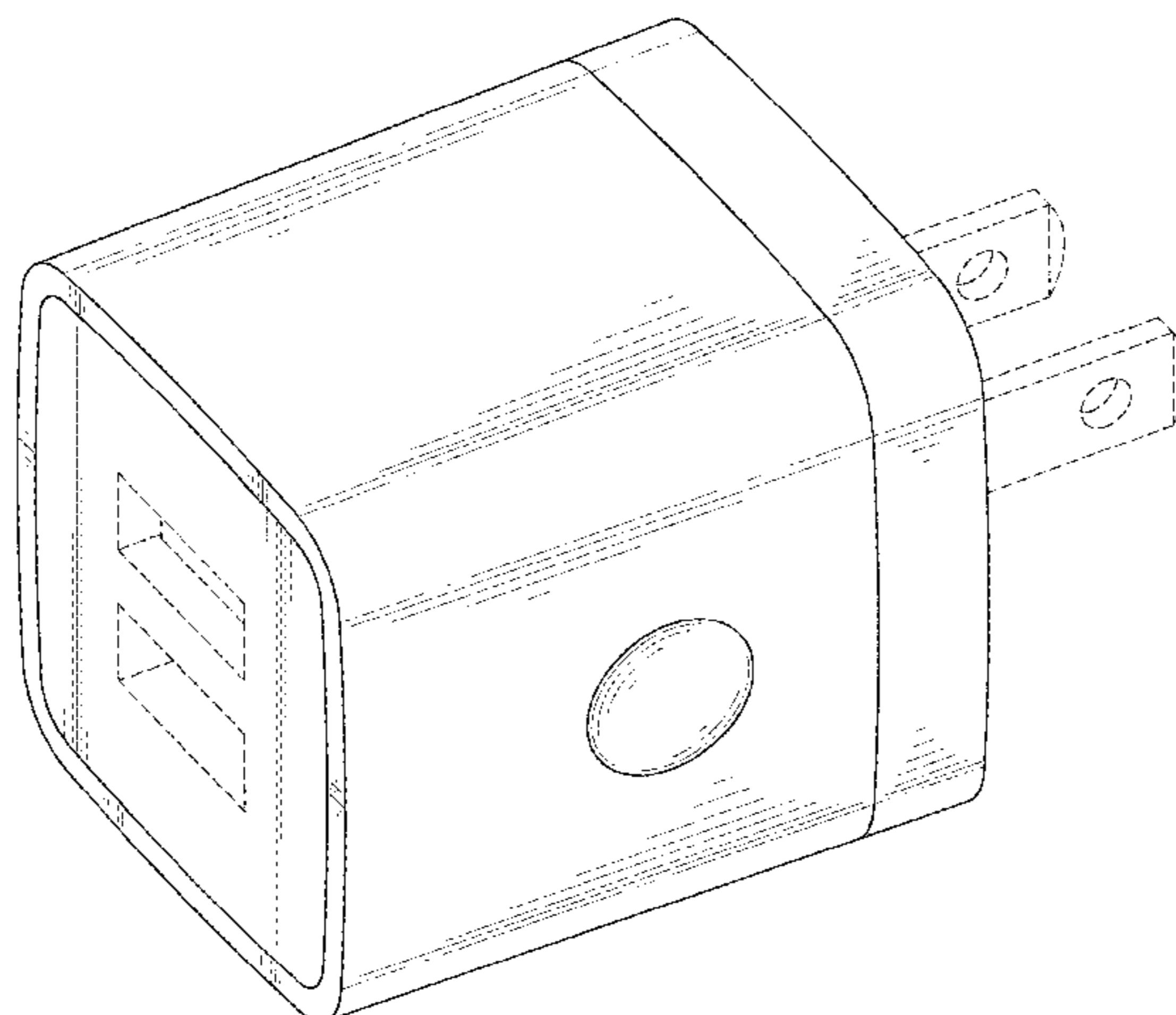
U.S. PATENT DOCUMENTS

D587,193 S * 2/2009 McGinley D13/110
D611,415 S * 3/2010 Andre D13/108
D623,136 S * 9/2010 Andre D13/108
D627,728 S * 11/2010 Smith D13/108
D627,729 S * 11/2010 Smith D13/108
D642,524 S * 8/2011 Fitch D13/110
D653,208 S * 1/2012 Au D13/108
D653,614 S * 2/2012 Au D13/108
D653,615 S * 2/2012 Au D13/108
D655,243 S * 3/2012 Au D13/108

DESCRIPTION

FIG. 1 is a right side top perspective view of the dual USB wall charger showing my new design;
FIG. 2 is a right side elevation view thereof;
FIG. 3 is a left side elevation view thereof;
FIG. 4 is a rear elevation view thereof;
FIG. 5 is a front elevation view thereof;
FIG. 6 is a top plan view thereof; and,
FIG. 7 is a bottom plan view thereof.

1 Claim, 7 Drawing Sheets



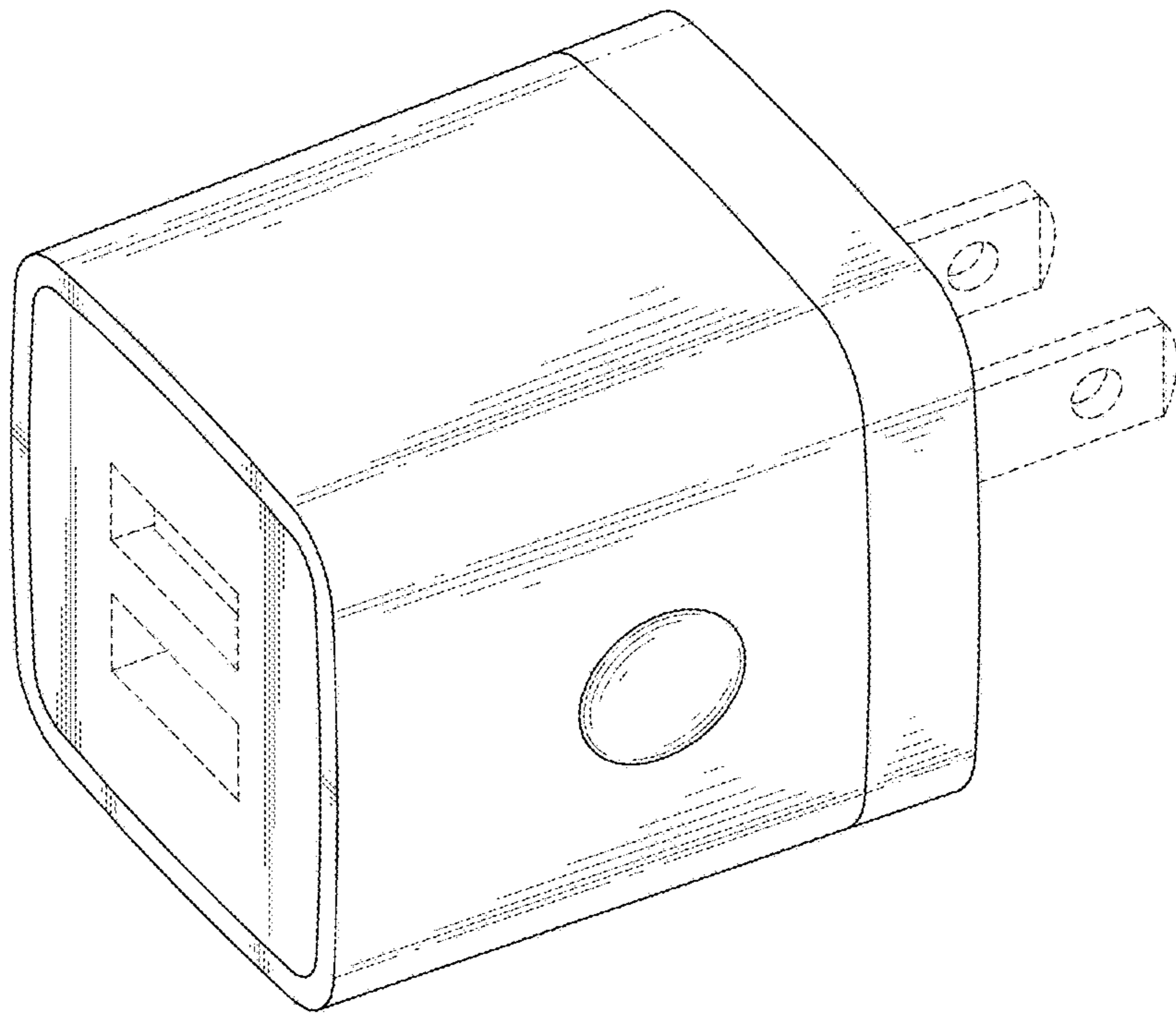


FIG. 1

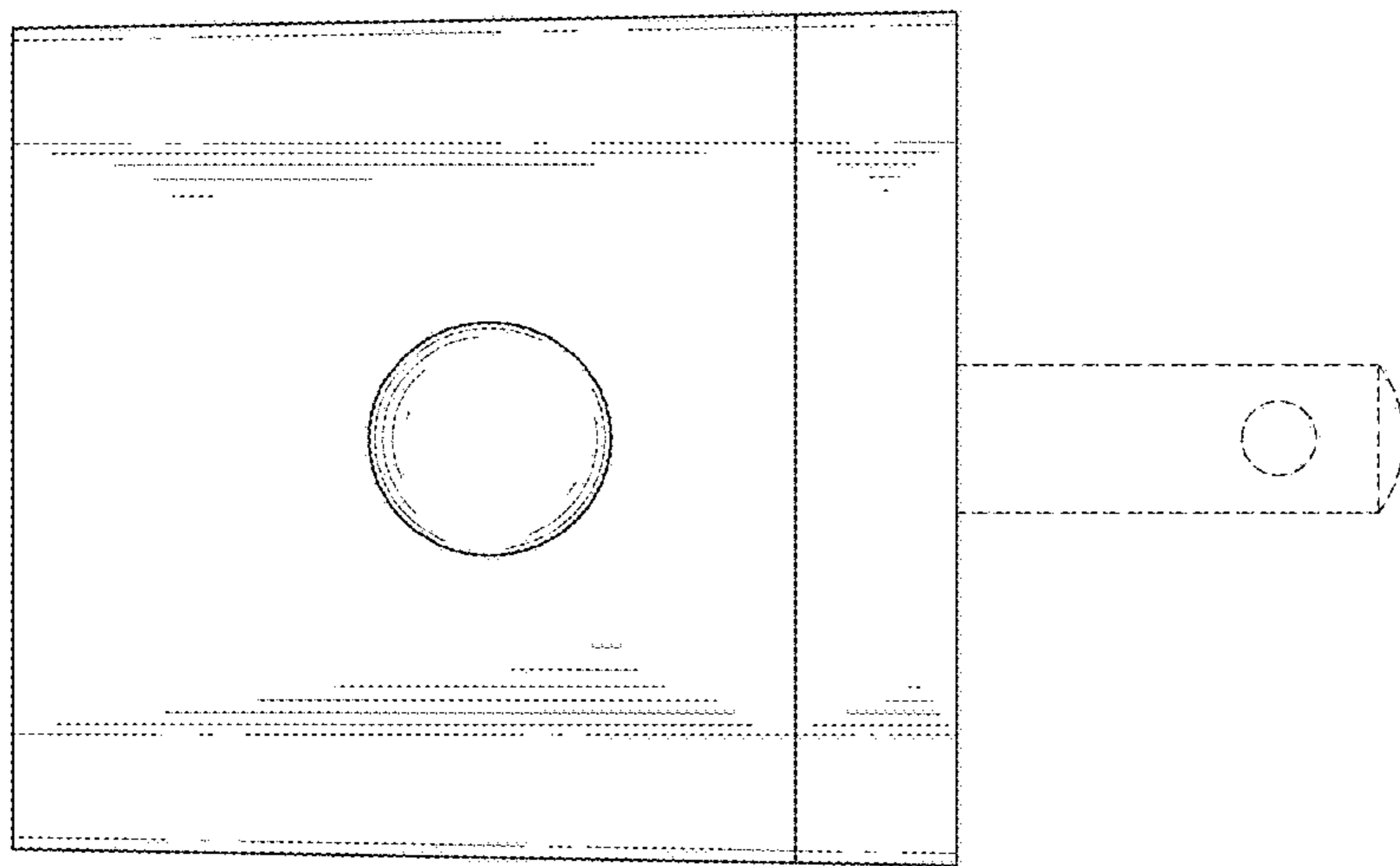


FIG. 2

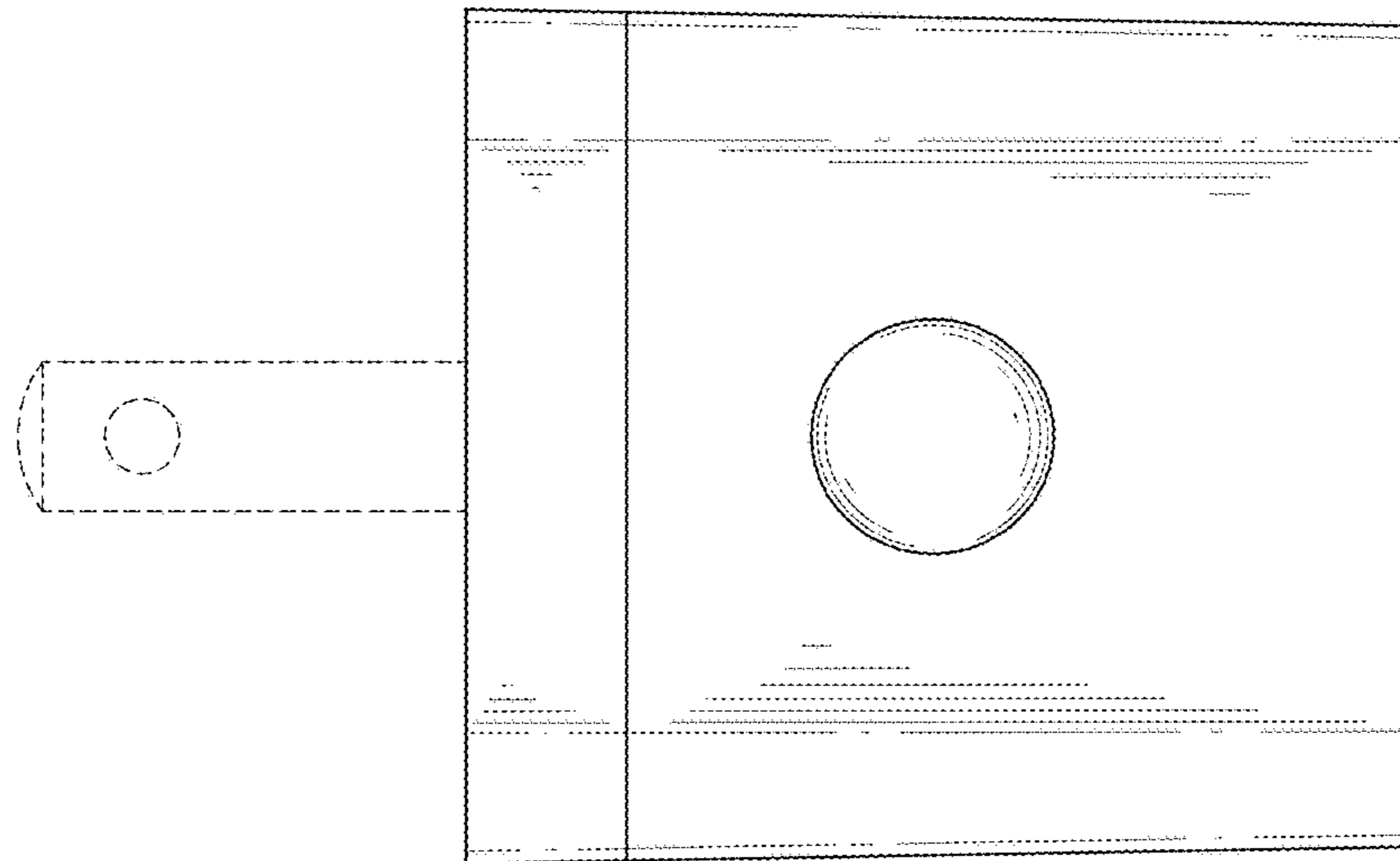


FIG. 3

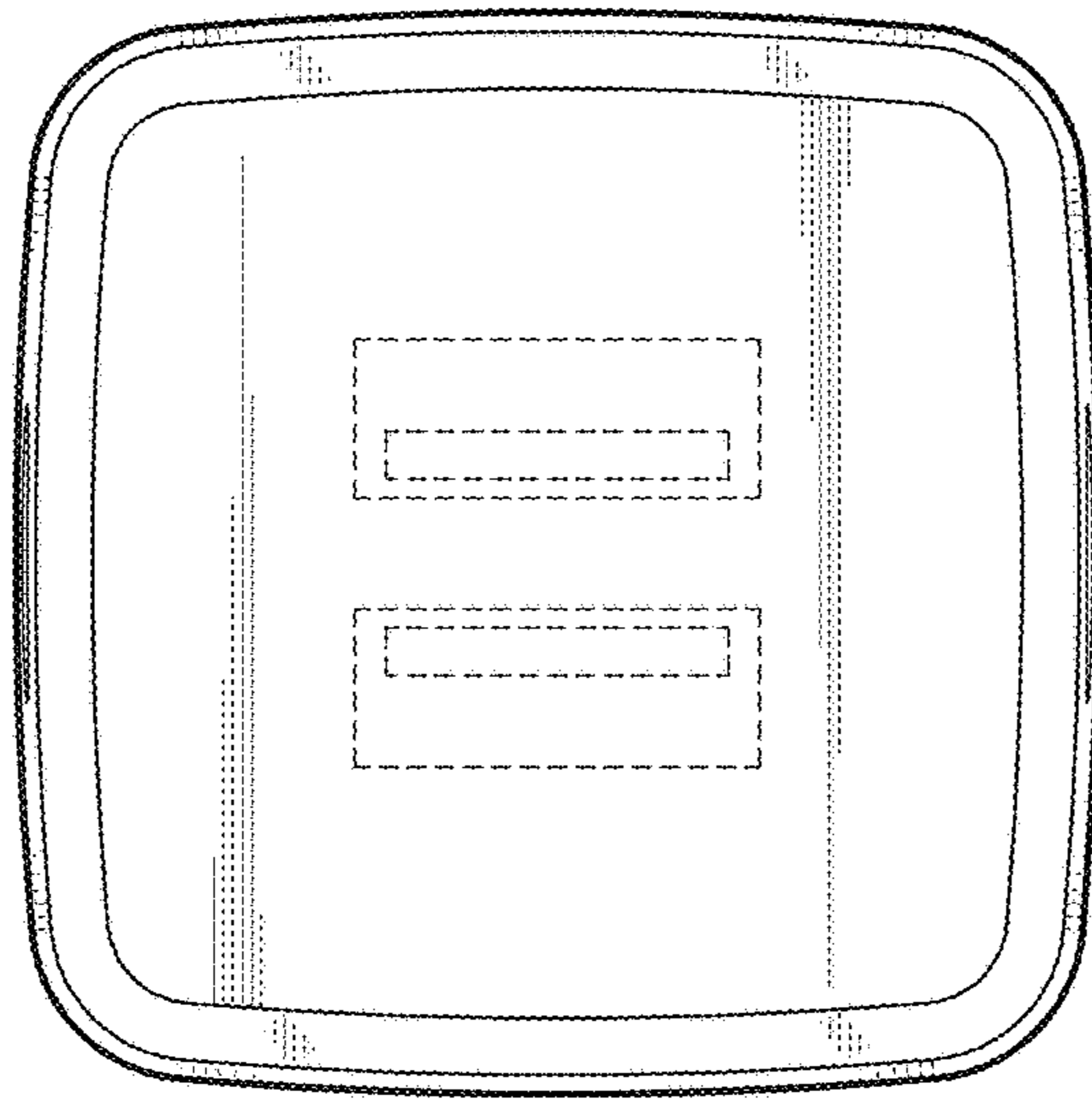


FIG. 4

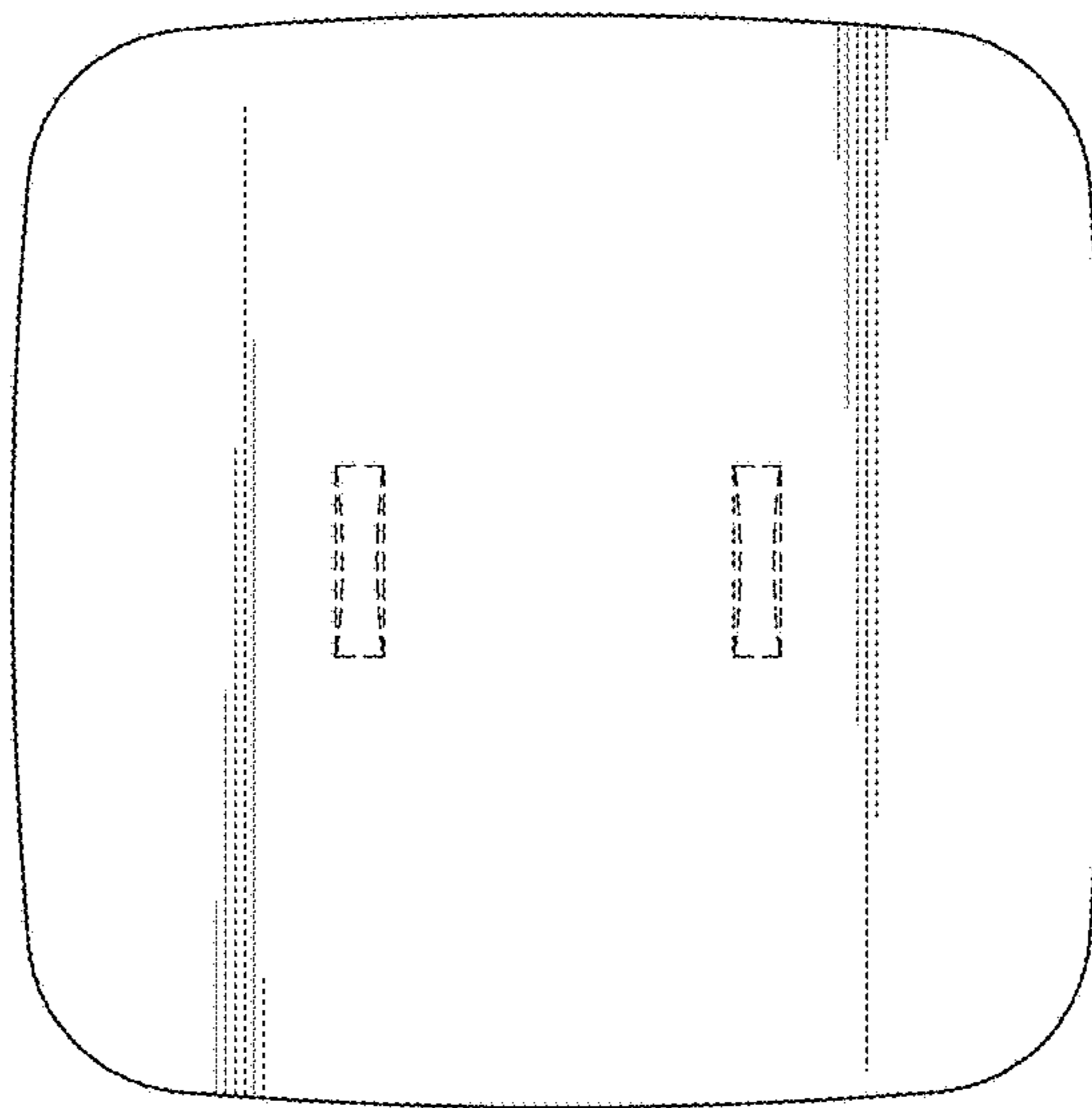


FIG. 5

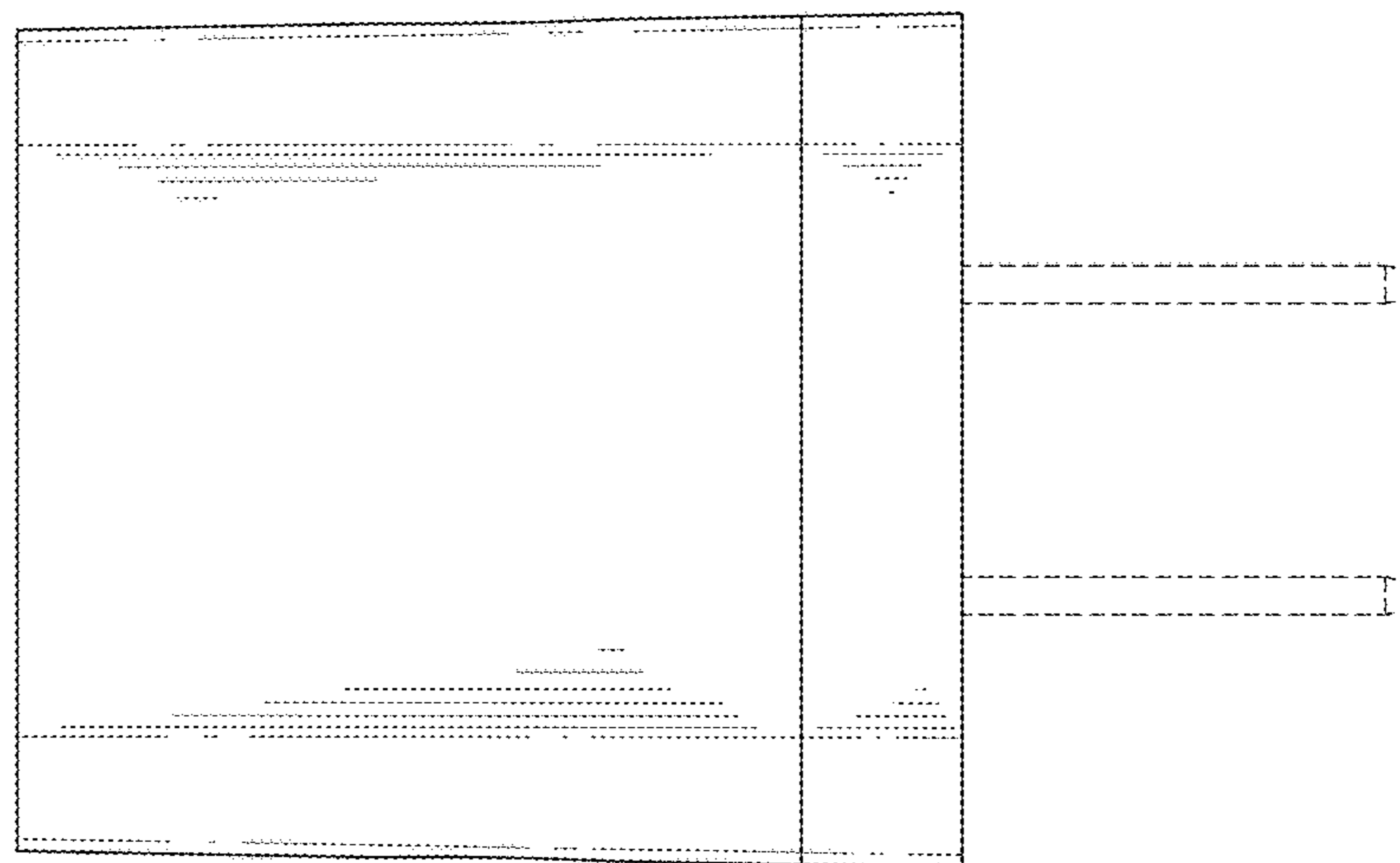


FIG. 6

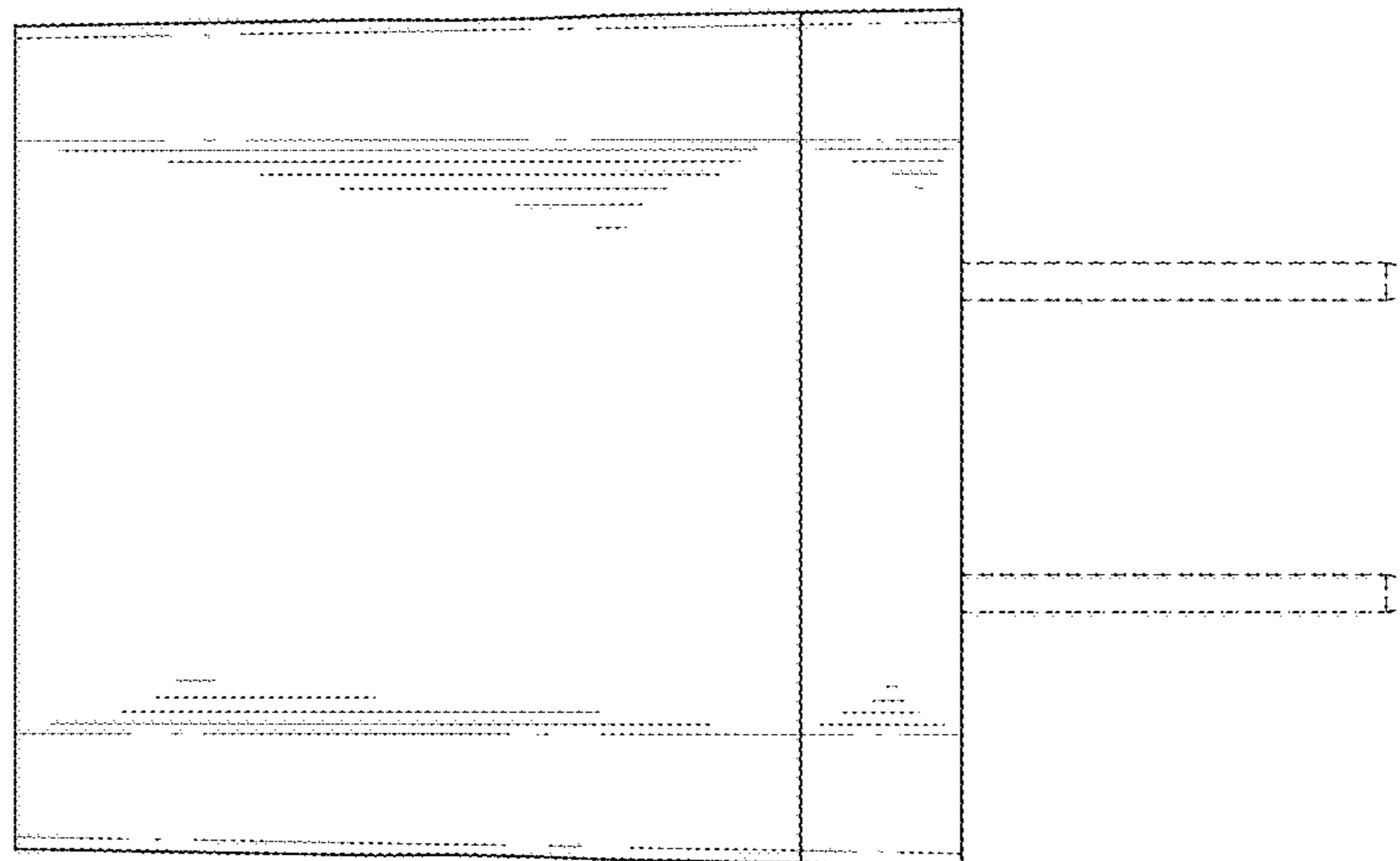


FIG. 7