



US00D834515S

(12) **United States Design Patent**
Zhang

(10) **Patent No.:** **US D834,515 S**

(45) **Date of Patent:** **** Nov. 27, 2018**

(54) **SOLAR POWERED SPIKE MOUNTED LAMP**

(71) Applicant: **Shenzhen City Yuyiyuan Technology Co., Ltd.**, Guangdong (CN)

(72) Inventor: **Donglin Zhang**, Guangdong (CN)

(**) Term: **15 Years**

(21) Appl. No.: **29/625,056**

(22) Filed: **Nov. 7, 2017**

(51) **LOC (11) Cl.** **13-03**

(52) **U.S. Cl.**
USPC **D13/102**

(58) **Field of Classification Search**
USPC D13/101, 102, 107, 118, 184, 199;
D26/67, 68, 69, 70, 87, 93
CPC H02J 7/0042; H02J 7/0045; H02J 7/0052;
H01R 31/06; H01R 24/38; H01L 31/042;
H01L 31/045; H01L 31/046; H01L
31/048; H01L 31/05; H01L 31/052; H01L
31/0525; H02S 30/00; H02S 20/10; H02S
20/23; H02S 20/30; H02S 40/34; H02S
40/44; F24J 2/52; F03G 6/00
See application file for complete search history.

(56) **References Cited**

U.S. PATENT DOCUMENTS

D452,928 S * 1/2002 Lam D26/68
D555,278 S * 11/2007 Sanoner D26/68

D574,536 S * 8/2008 Sanoner D26/67
D574,537 S * 8/2008 Sanoner D26/67
D605,808 S * 12/2009 Sanoner D26/68
D606,225 S * 12/2009 Chen D26/67
D822,253 S * 7/2018 Wu D26/68

* cited by examiner

Primary Examiner — Daniel D Bui

(74) *Attorney, Agent, or Firm* — Prakash Nama; Global IP Services, PLLC

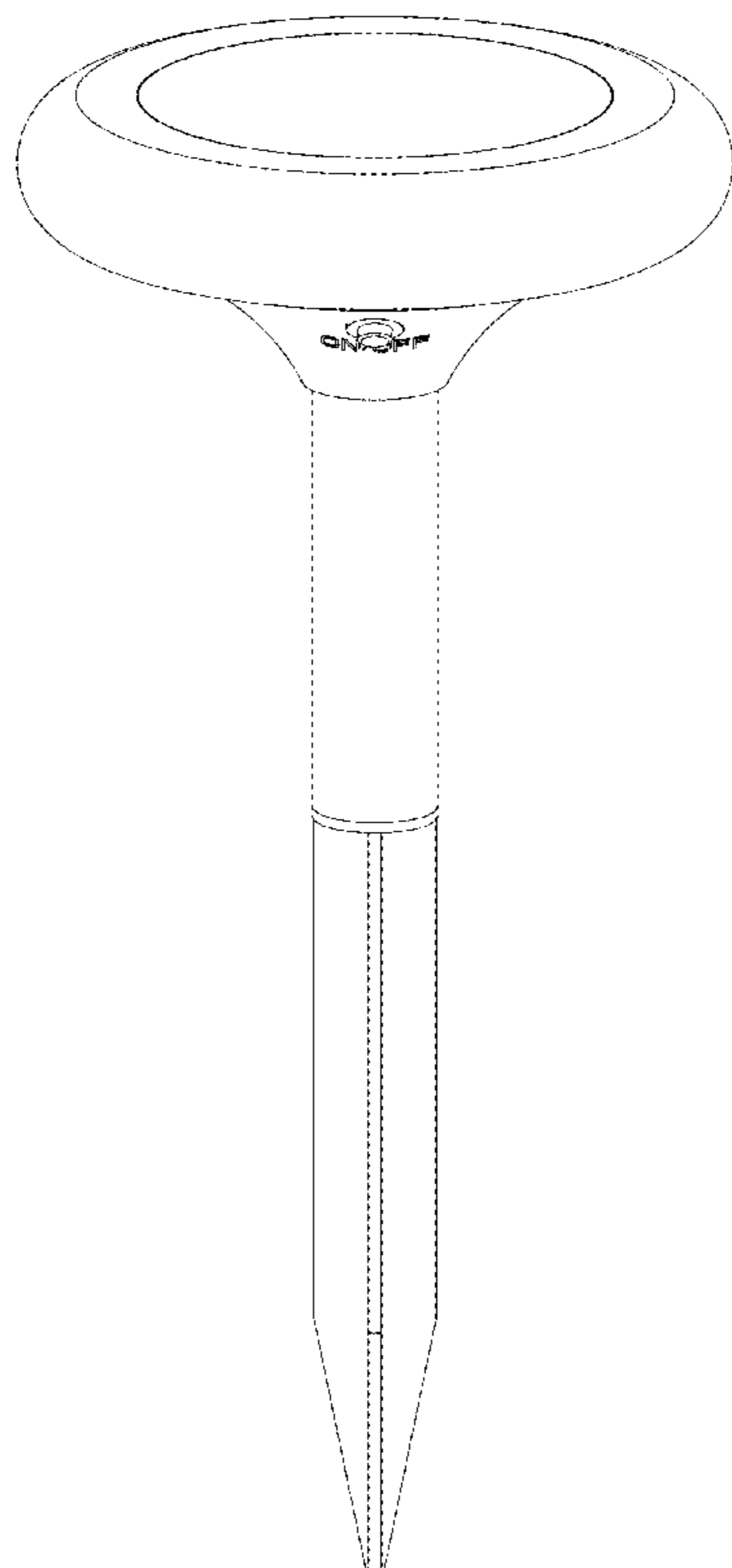
(57) **CLAIM**

The ornamental design for a solar powered spike mounted lamp, as shown.

DESCRIPTION

FIG. 1 is a front elevational view of a solar powered spike mounted lamp showing my new design; FIG. 2 is a rear elevational view thereof; FIG. 3 is a left side view thereof; FIG. 4 is a right side view thereof; FIG. 5 is a top plan view thereof; FIG. 6 is a bottom plan view thereof; and, FIG. 7 is a perspective view thereof.

1 Claim, 6 Drawing Sheets



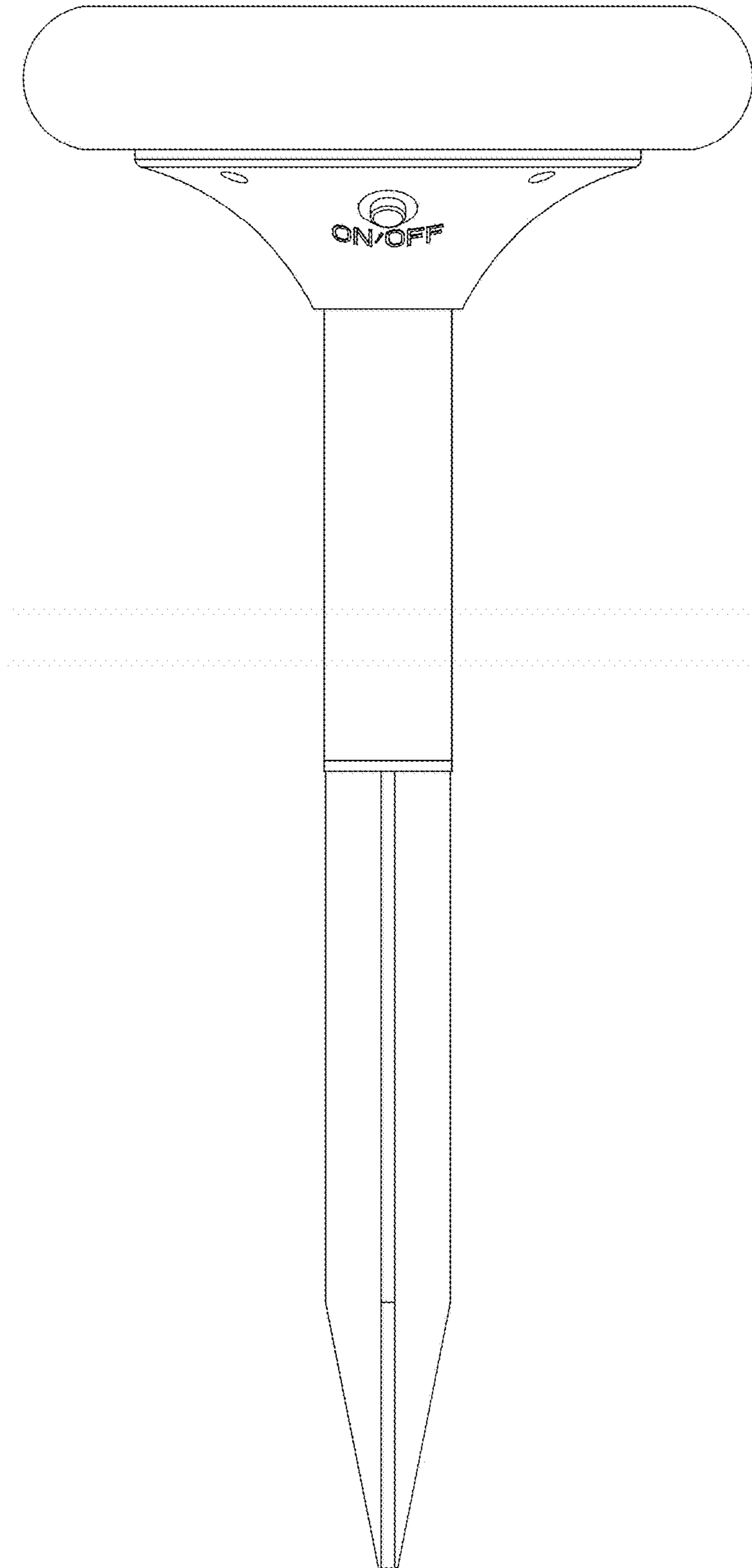


FIG. 1

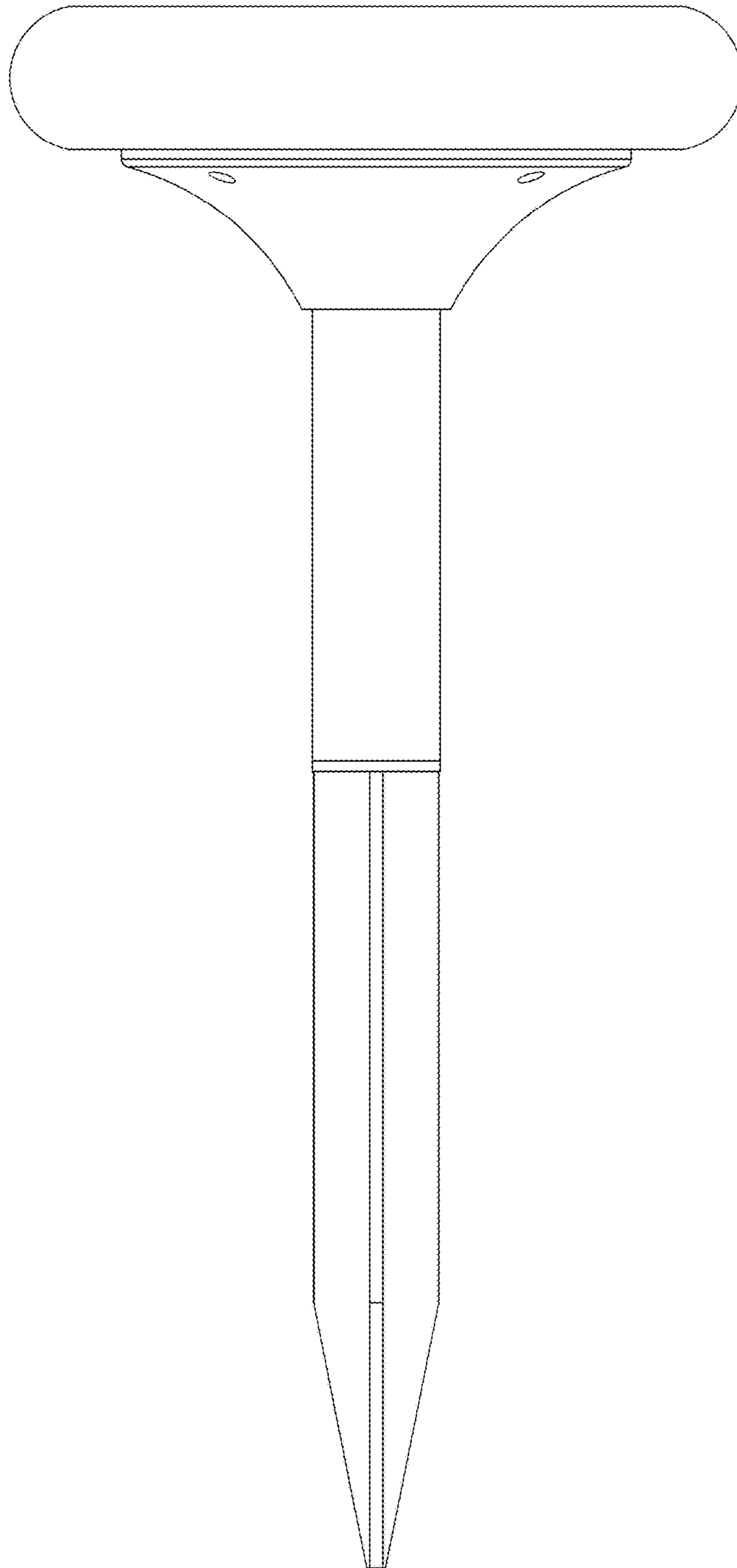


FIG. 2

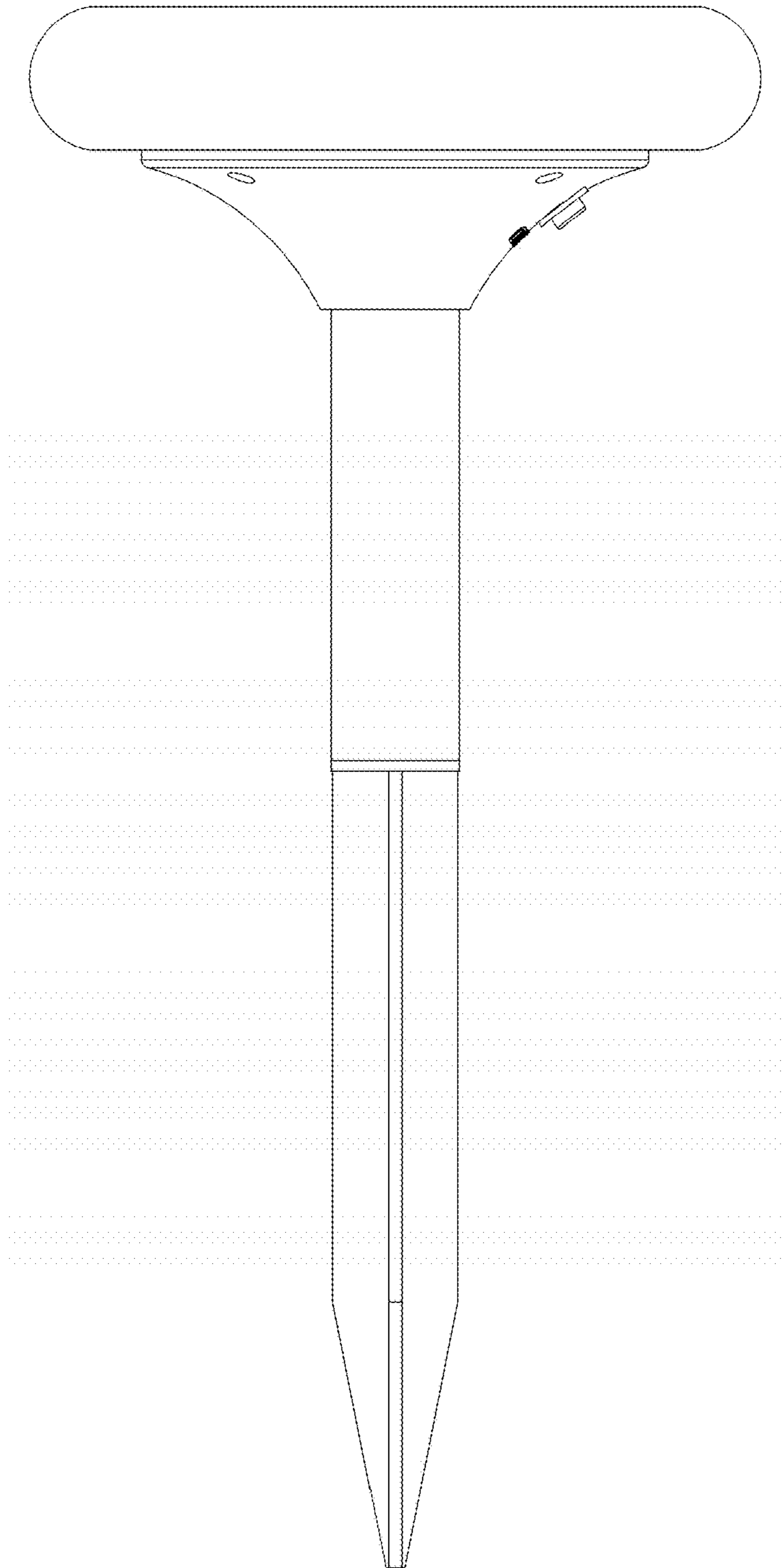


FIG. 3

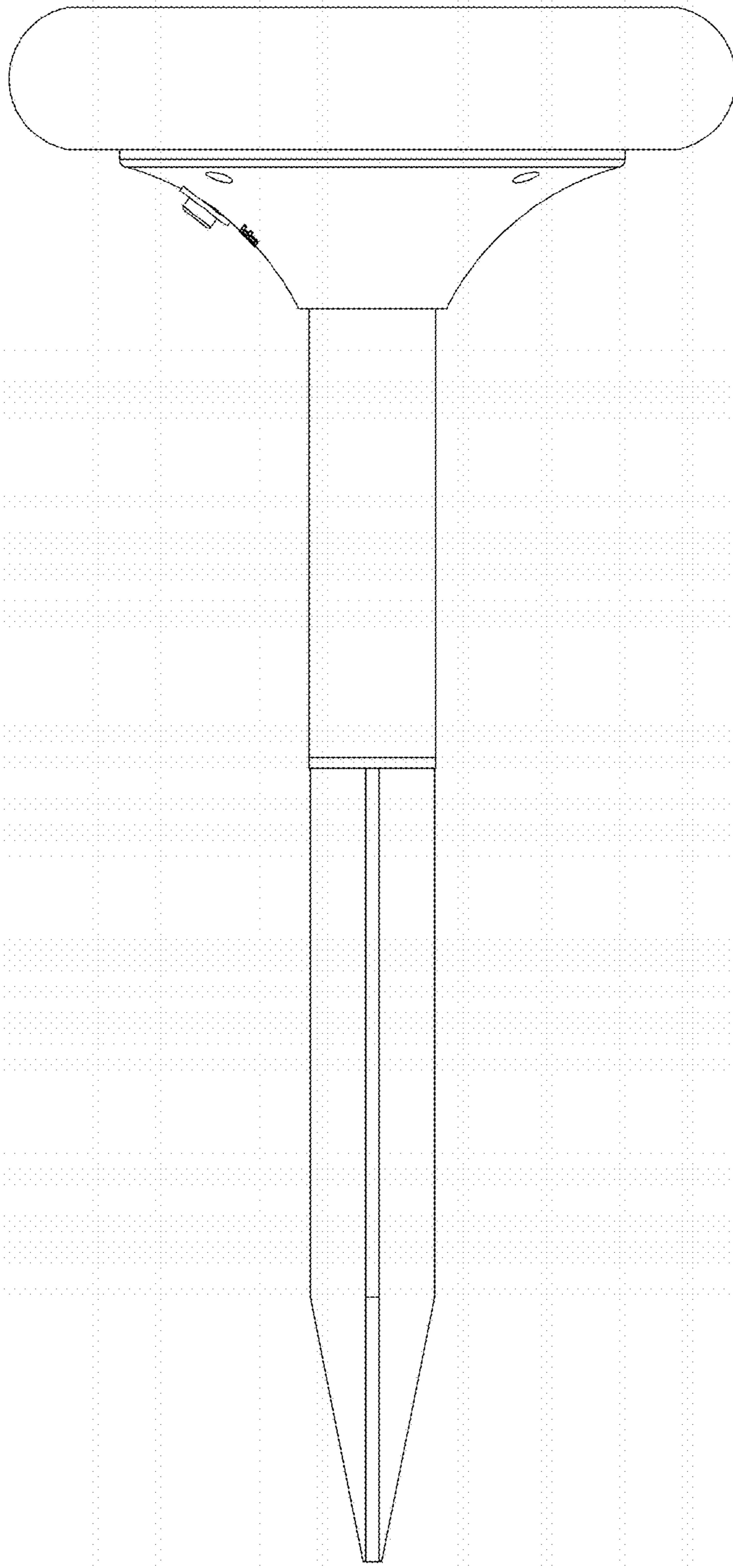


FIG. 4

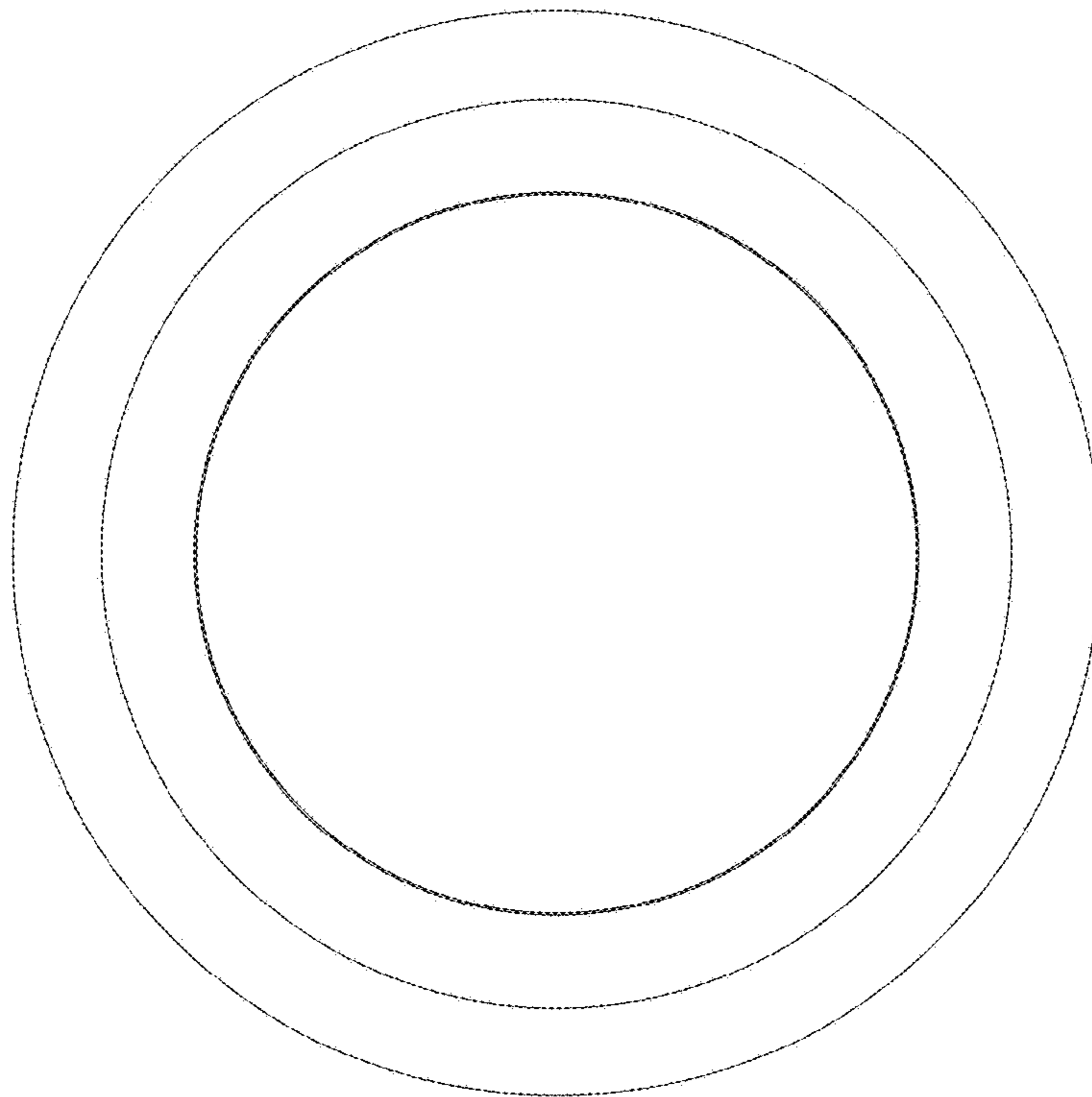


FIG. 5

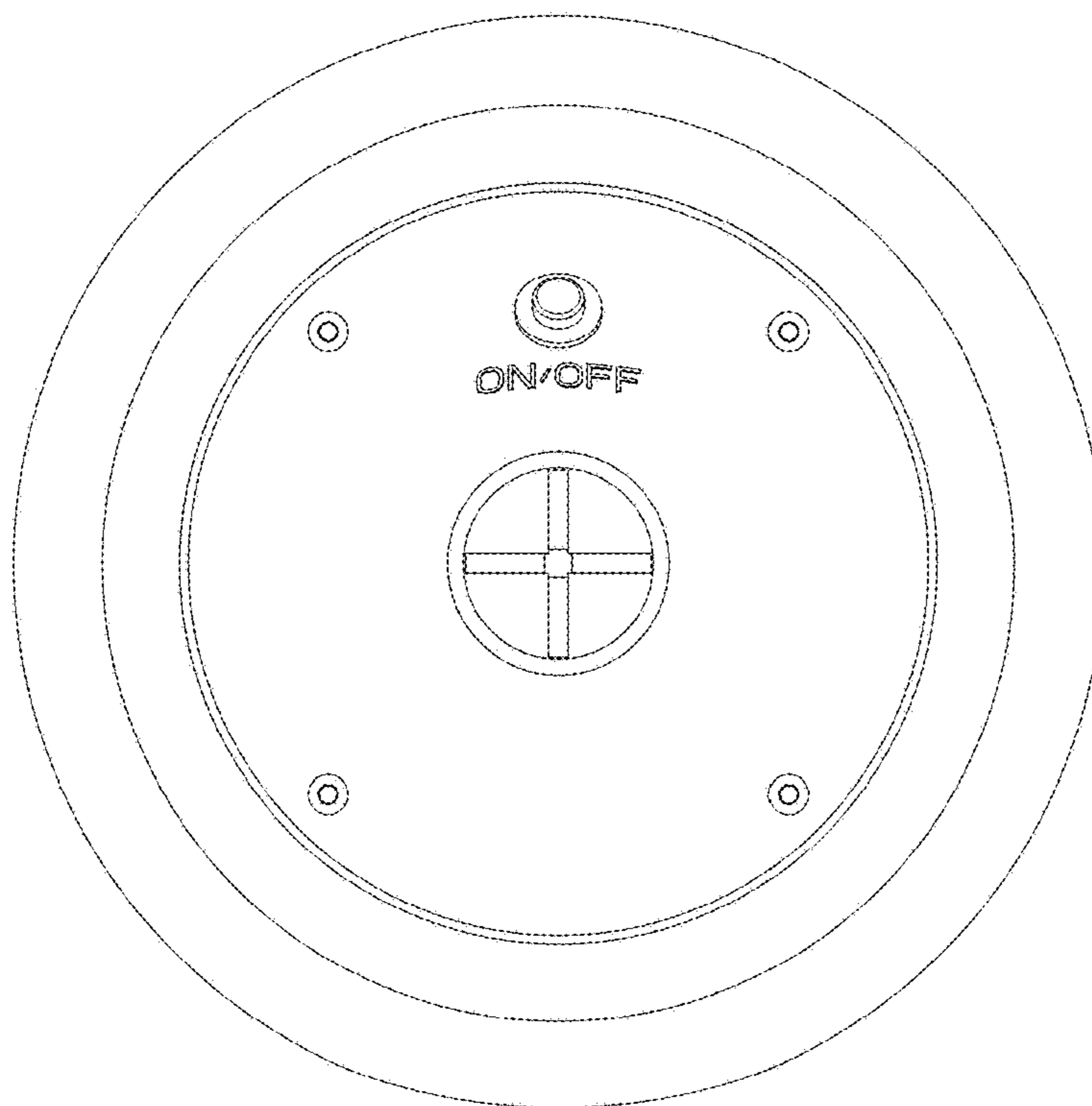


FIG. 6

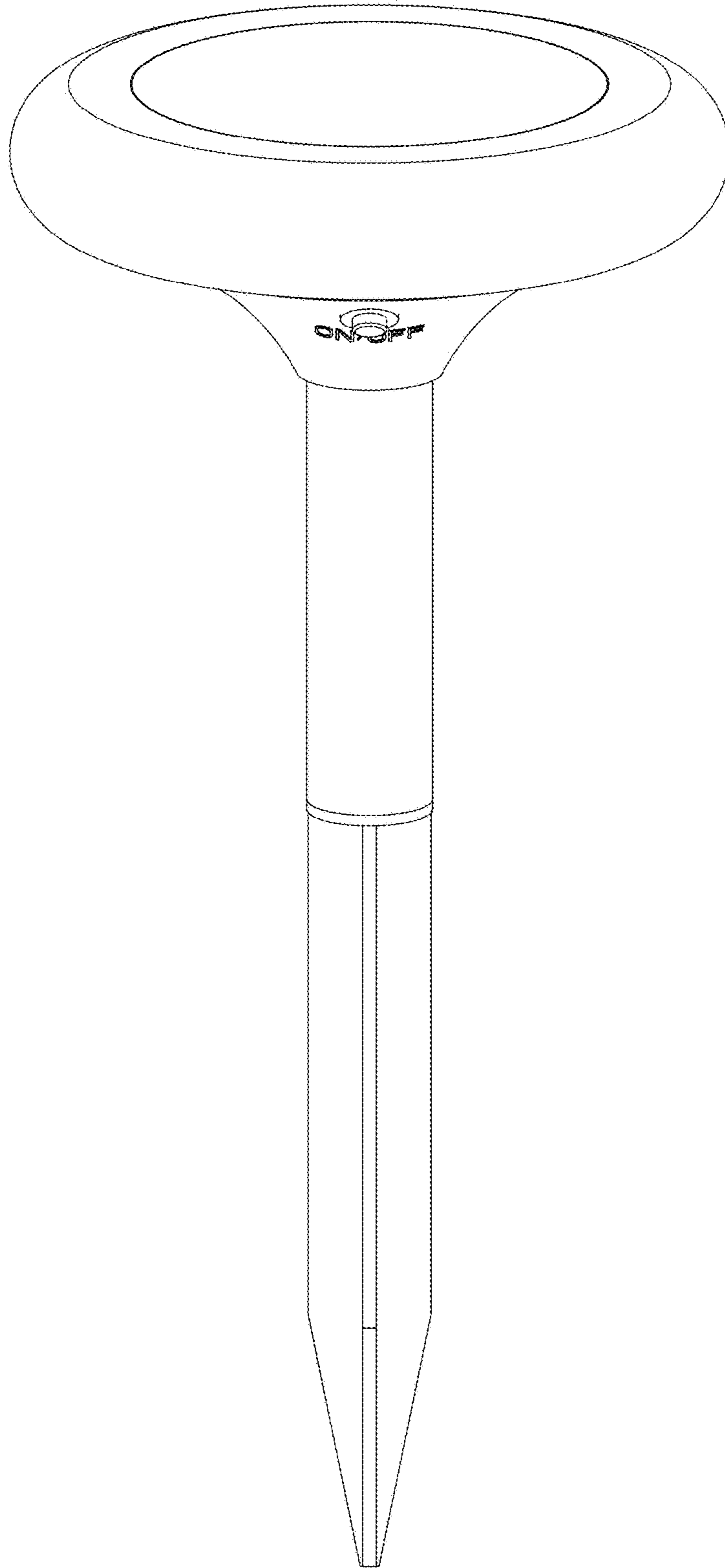


FIG. 7