

US00D834514S

(12) **United States Design Patent** (10) **Patent No.:** **US D834,514 S**
Zhang et al. (45) **Date of Patent:** **** *Nov. 27, 2018**

(54) **PORTABLE SOLAR CHARGER**

(56) **References Cited**

(71) Applicant: **Xiamen Topunive Technology Co., Ltd.**, Xiamen (CN)

U.S. PATENT DOCUMENTS

(72) Inventors: **Hui Zhang**, Xiamen (CN); **Huaqiang Mei**, Xiamen (CN); **Yandong Yang**, Xiamen (CN)

D663,262 S *	7/2012	Cheung	D13/102
D755,119 S *	5/2016	Munshi	D13/102
D806,011 S *	12/2017	Chang	D13/102
D812,553 S *	3/2018	Anderson	D13/102
D812,558 S *	3/2018	Park	D13/107
D813,802 S *	3/2018	Krantz	D13/102
D814,401 S *	4/2018	Cheung	D13/102
D817,265 S *	5/2018	Liu	D13/102

(73) Assignee: **XIAMEN TOPUNIVE TECHNOLOGY CO., LTD.**, Xiamen, Fujian (CN)

* cited by examiner

(*) Notice: This patent is subject to a terminal disclaimer.

Primary Examiner — Daniel D Bui

(74) Attorney, Agent, or Firm — Leong C. Lei

(**) Term: **15 Years**

(57) **CLAIM**

The ornamental design for a portable solar charger, as shown and described.

(21) Appl. No.: **29/617,240**

DESCRIPTION

(22) Filed: **Sep. 13, 2017**

(51) **LOC (11) Cl.** **13-03**

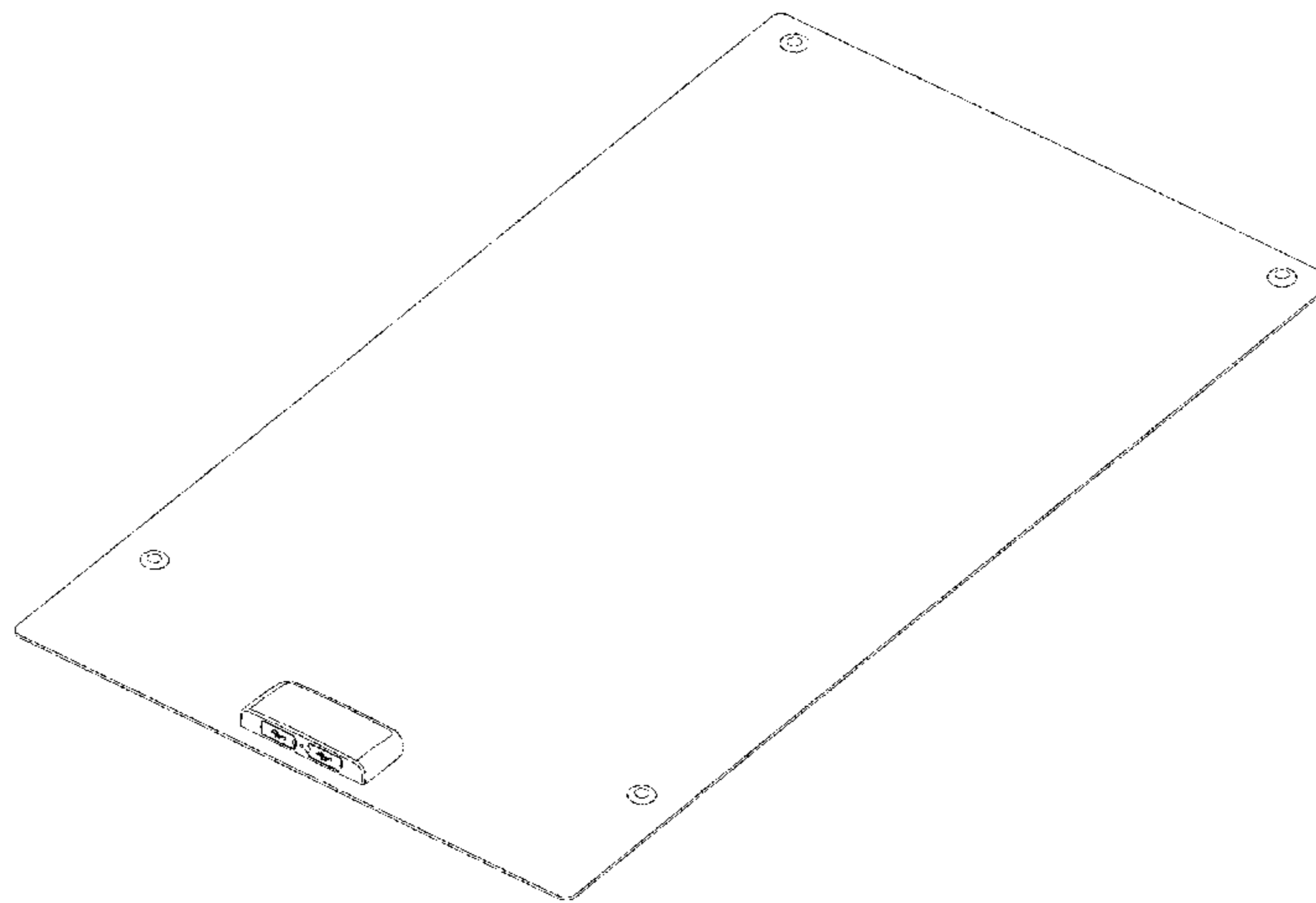
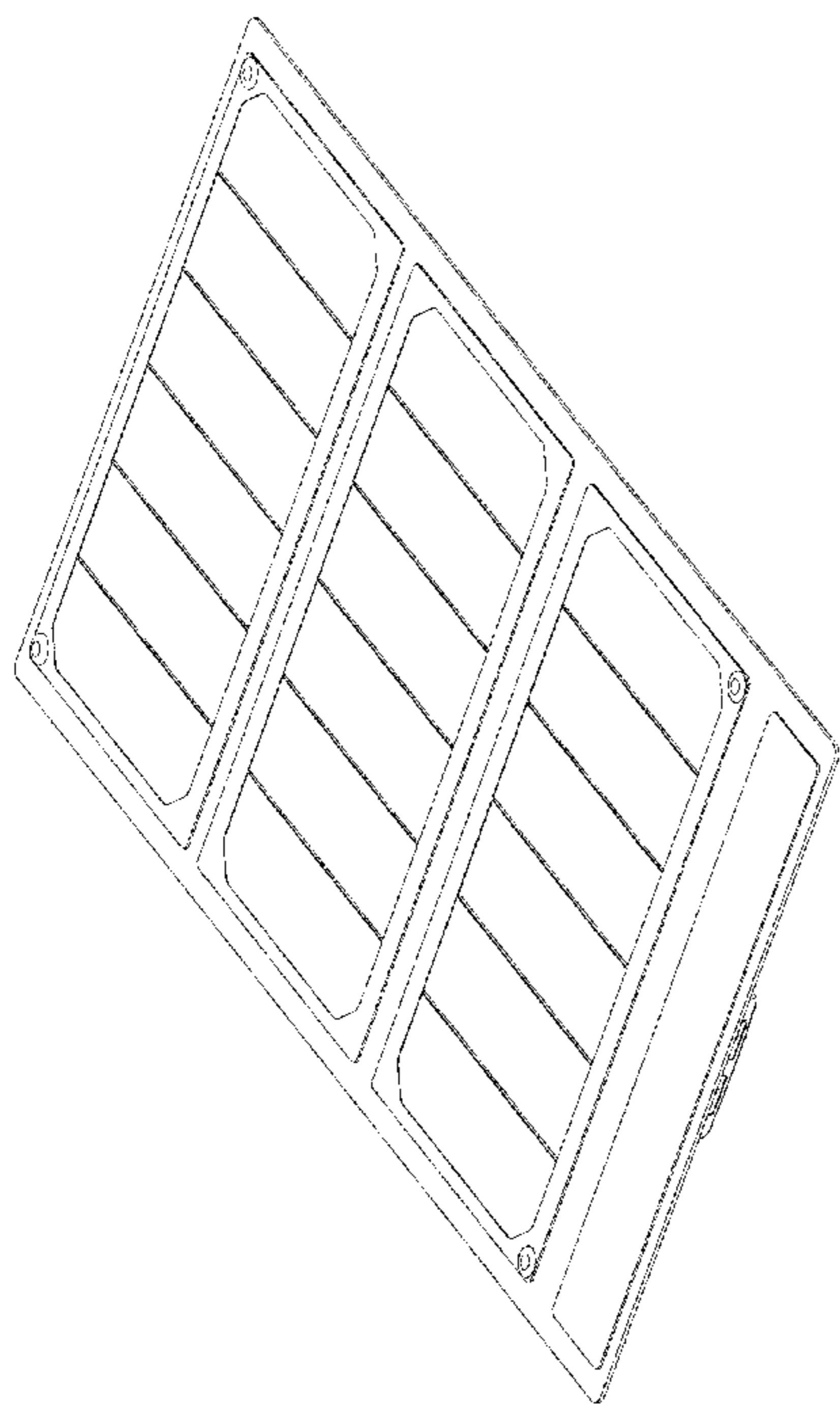
(52) **U.S. Cl.**
USPC **D13/102**

(58) **Field of Classification Search**
USPC D13/102, 103, 104, 105, 106, 107, 108, D13/109, 118, 119, 120, 184, 199
CPC H01L 31/00; H01L 31/02; H01L 31/042; H01L 31/045; H01L 31/046; H01L 31/048; H01L 31/05; H01L 31/052; H01L 31/0525; H02S 30/00; H02S 20/10; H02S 20/23; H02S 20/30; H02S 40/34; H02S 40/44; F24J 2/52; F03G 6/00

FIG. 1 is a front, top, and right side perspective view of a portable solar charger showing our new design;
FIG. 2 is a front elevational view thereof;
FIG. 3 is a rear elevational view thereof;
FIG. 4 is a left side elevational view thereof;
FIG. 5 is a right side elevational view thereof;
FIG. 6 is a top plan view thereof;
FIG. 7 is a bottom plan view thereof;
FIG. 8 is a rear, bottom and right side perspective view thereof;
FIG. 9 is a rear elevational view thereof, in a folded position; and,
FIG. 10 is a bottom plan view thereof, in a folded position.

See application file for complete search history.

1 Claim, 9 Drawing Sheets



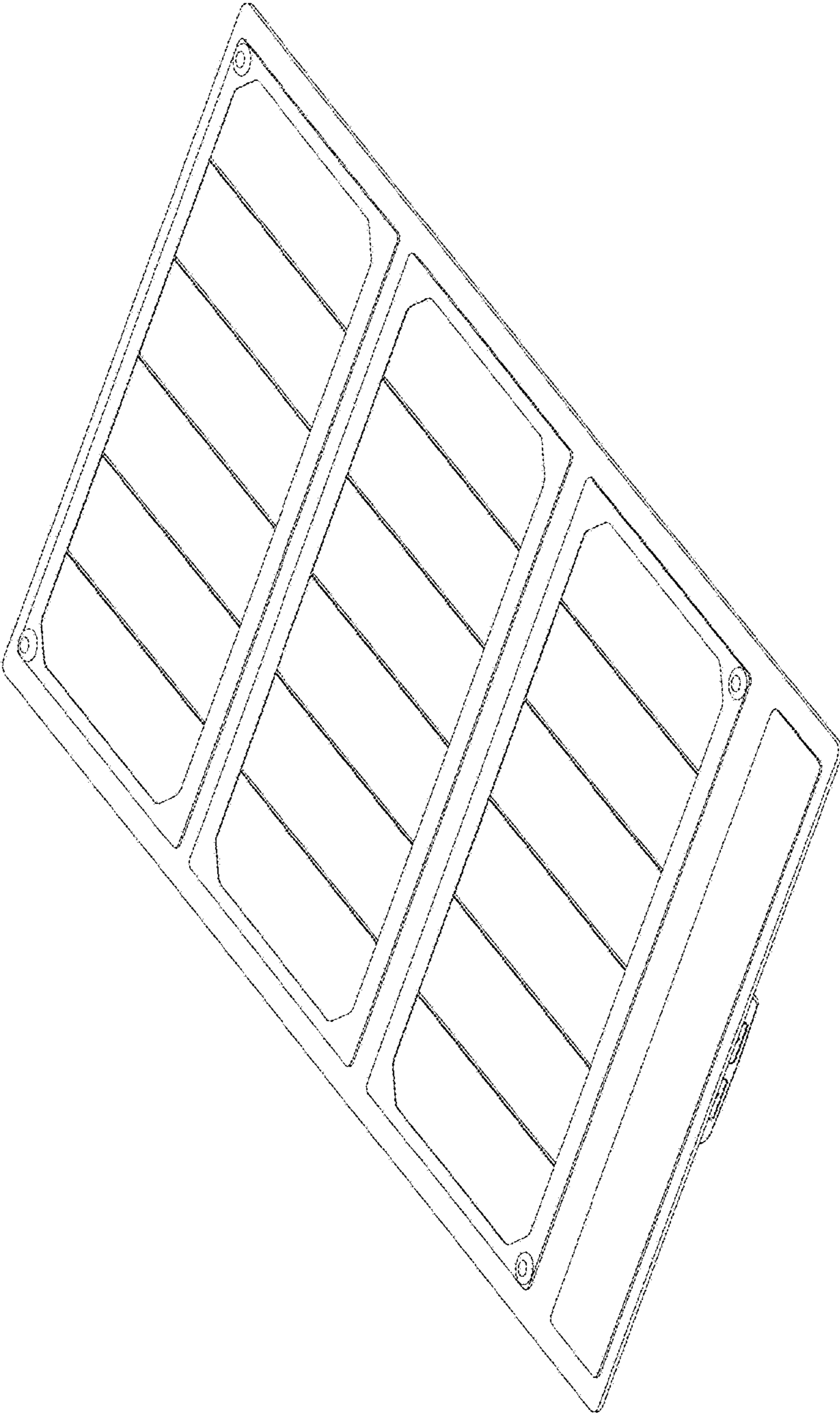


FIG. 1

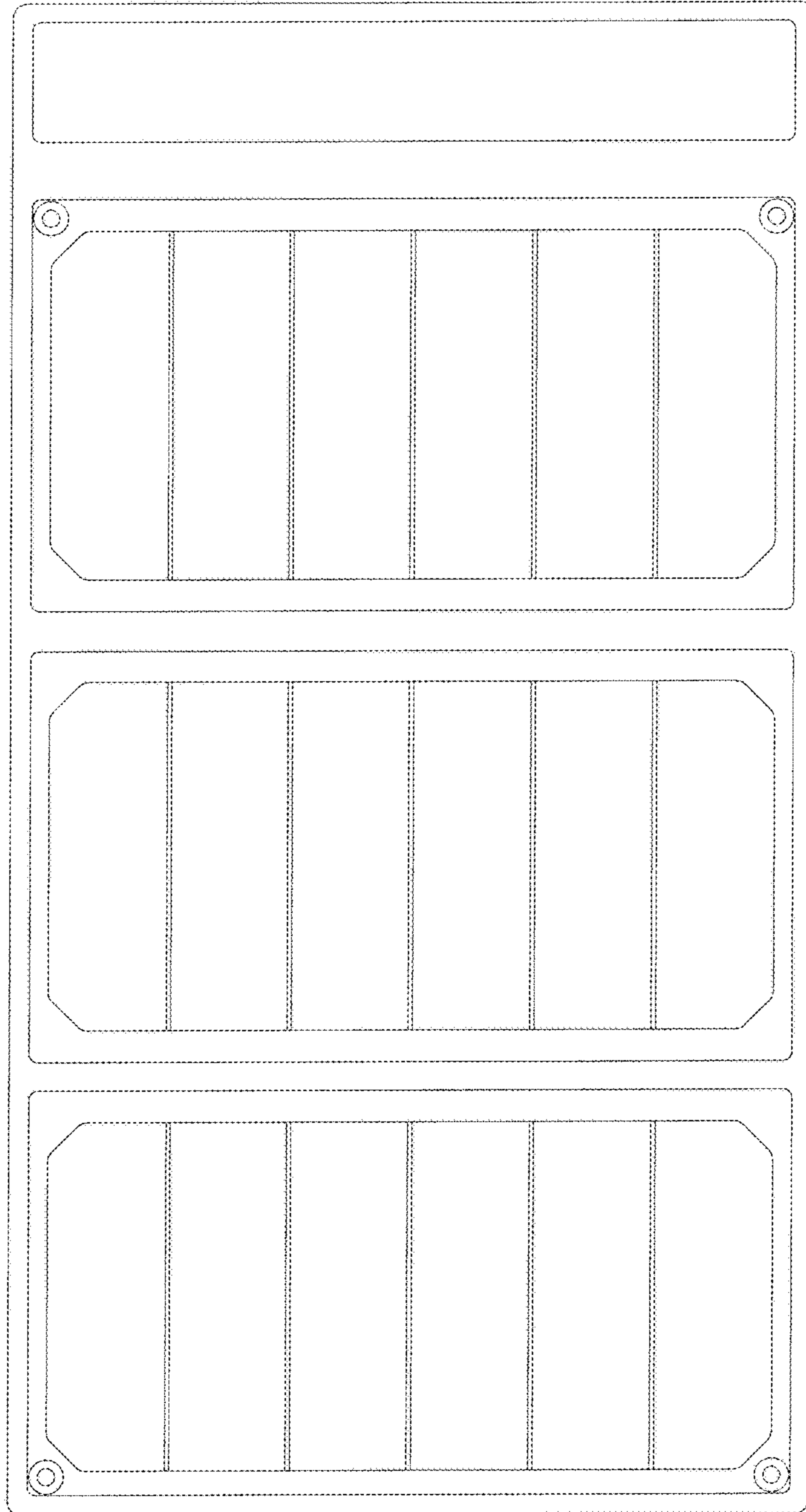


FIG. 2

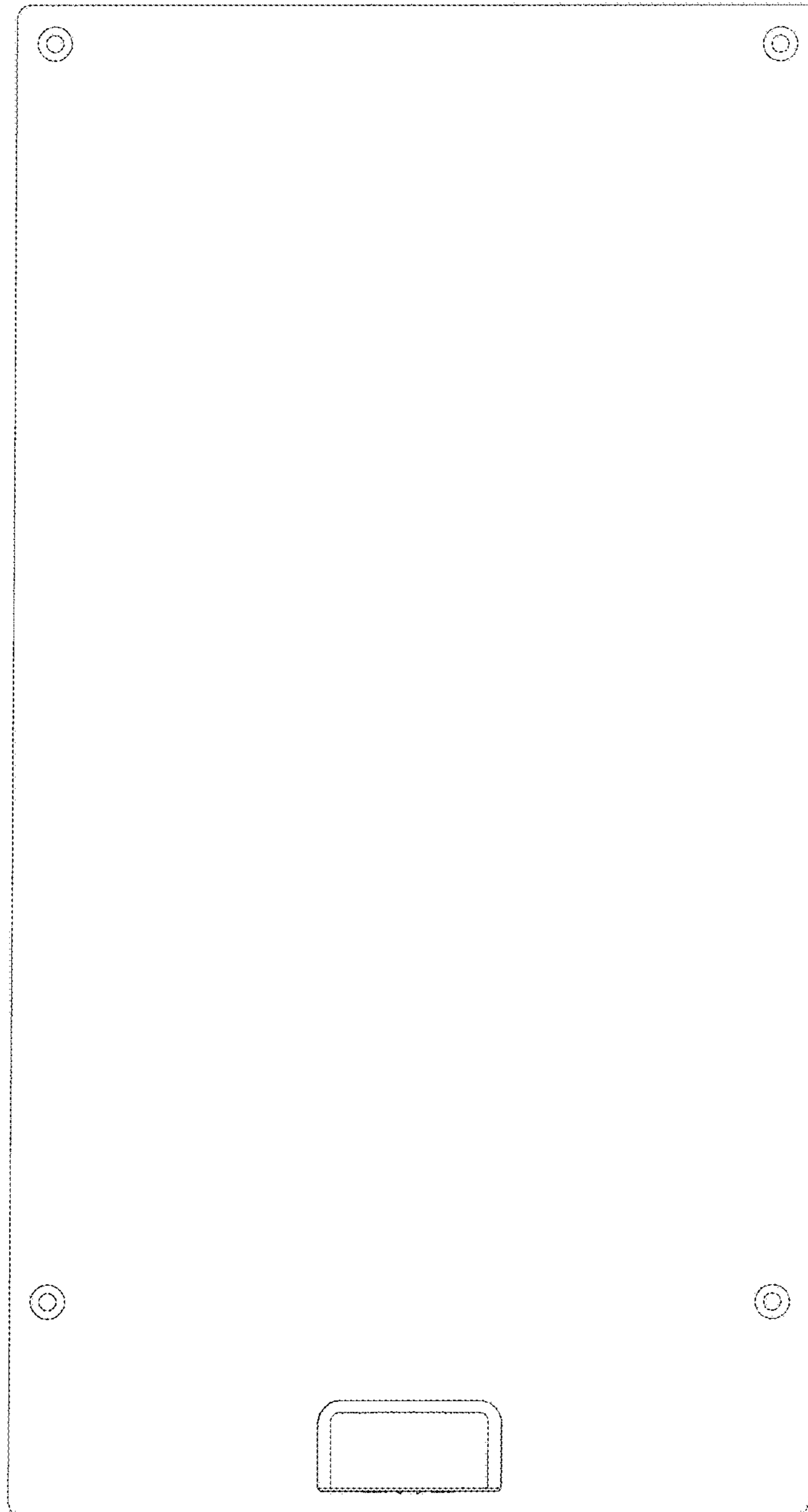


FIG. 3

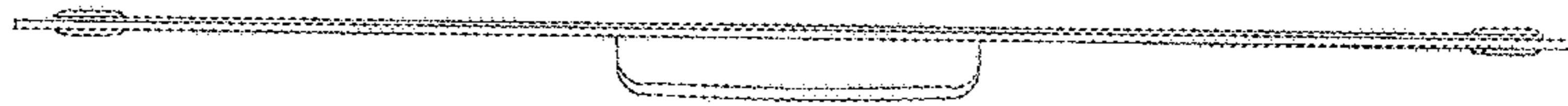


FIG. 4

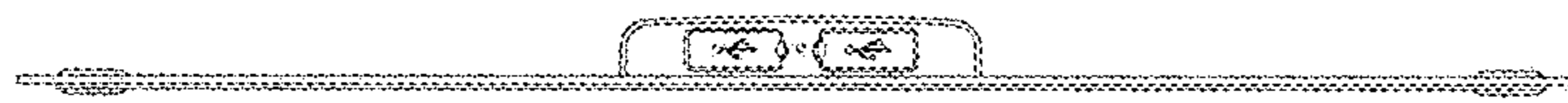


FIG. 5



FIG. 6

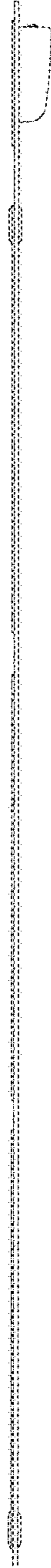


FIG. 7

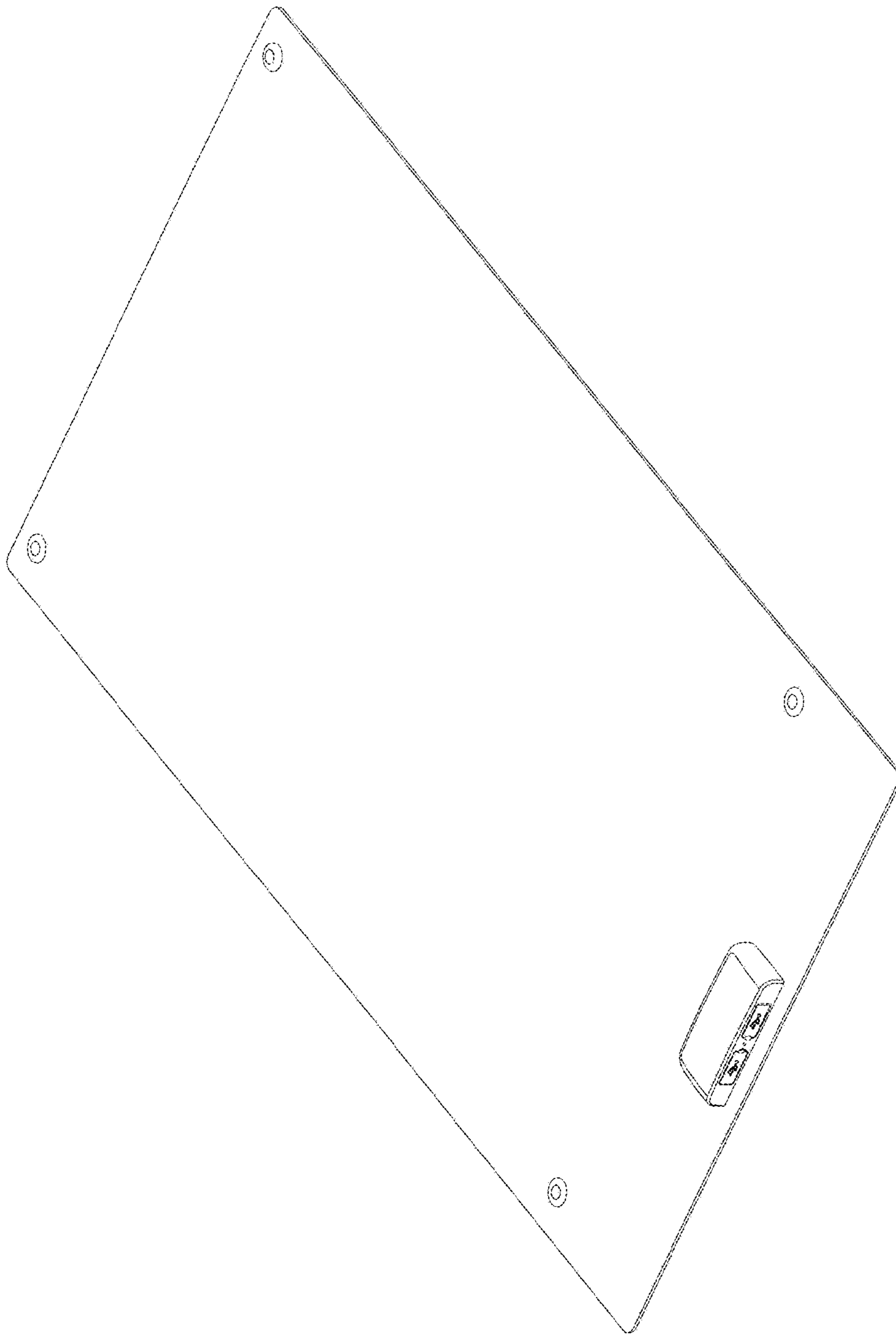


FIG. 8

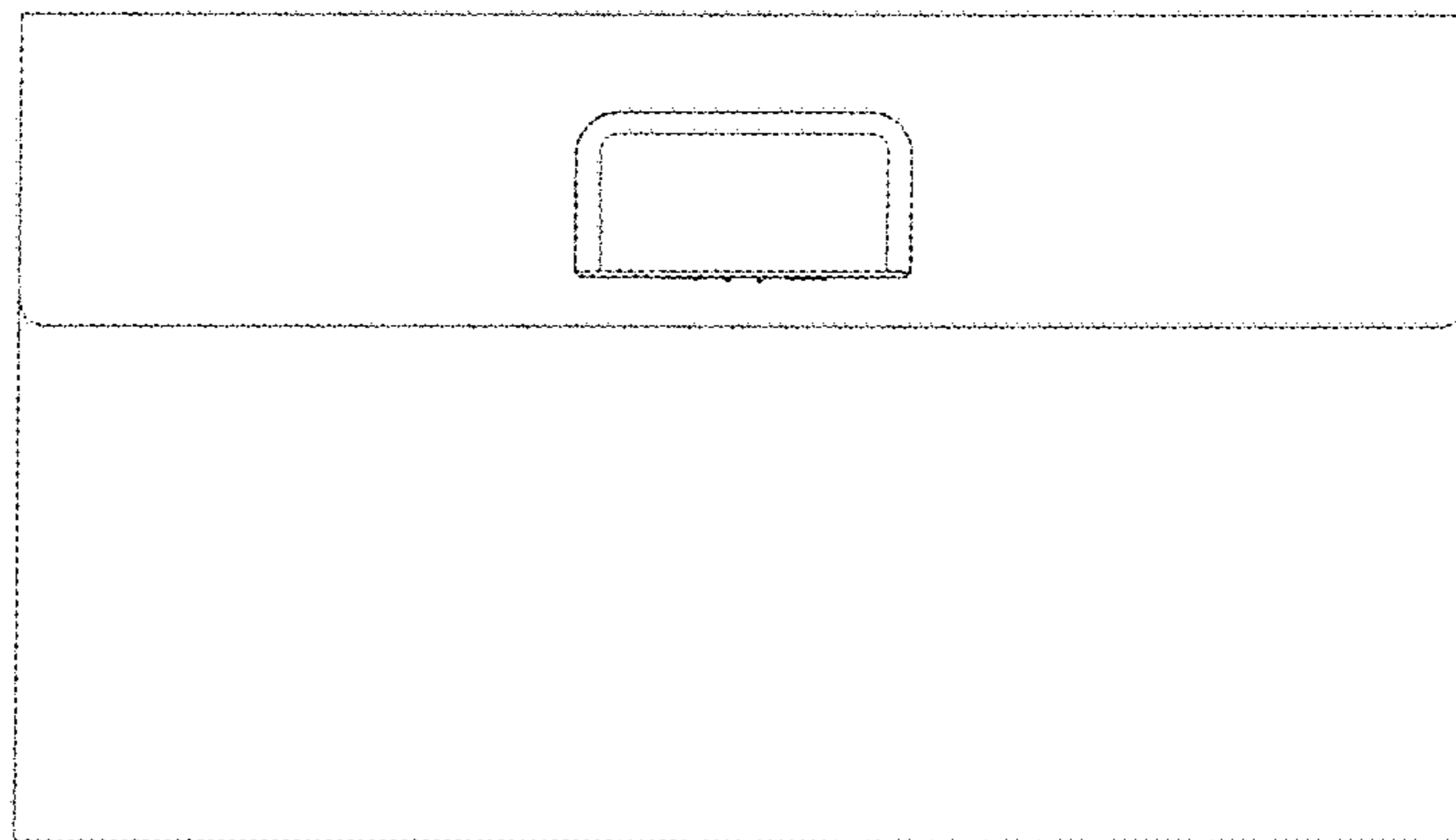


FIG. 9

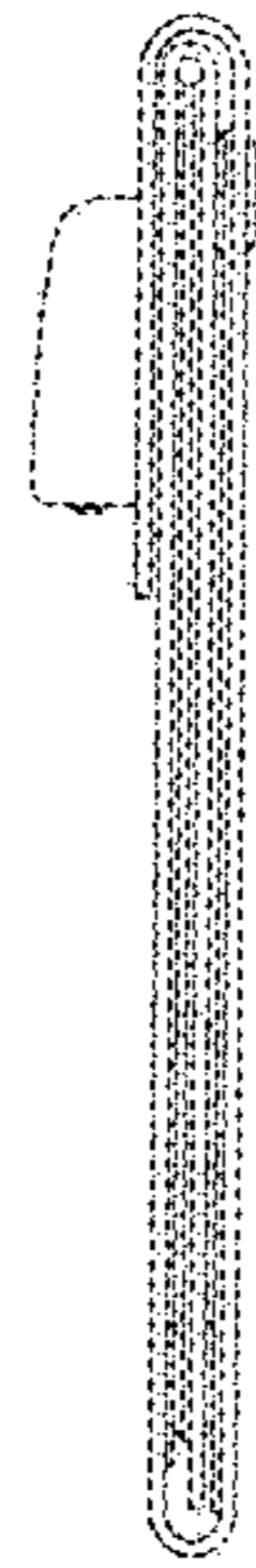


FIG. 10