



US00D834497S

(12) **United States Design Patent** (10) **Patent No.:** **US D834,497 S**  
**Schwartz** (45) **Date of Patent:** **\*\* Nov. 27, 2018**

(54) **VEHICLE SIDE GUARD** 7,007,366 B1 \* 3/2006 Eby ..... B60P 3/36  
29/434  
(71) Applicant: **Larry Don Schwartz**, Gravette, AR D621,955 S \* 8/2010 Seehof ..... D25/41.1  
(US) D630,768 S \* 1/2011 Witiak ..... D25/41.1  
D694,700 S \* 12/2013 Sankey ..... D12/414  
(72) Inventor: **Larry Don Schwartz**, Gravette, AR D733,925 S \* 7/2015 Collier ..... D25/41.1  
(US) 2003/0029974 A1 \* 2/2003 Marshall ..... A47K 3/003  
248/205.1  
(\*\*) Term: **15 Years** 2004/0240958 A1 \* 12/2004 Yang ..... B60P 7/0815  
410/106  
(21) Appl. No.: **29/578,189** 2008/0018437 A1 \* 1/2008 Reichling ..... B60R 25/1001  
340/426.1  
(22) Filed: **Sep. 19, 2016** \* cited by examiner

*Primary Examiner* — Darlington Ly

**Related U.S. Application Data**

(63) Continuation of application No. 29/496,662, filed on Jul. 16, 2014, now abandoned.  
(51) **LOC (11) Cl.** ..... **12-16**  
(52) **U.S. Cl.**  
USPC ..... **D12/414**  
(58) **Field of Classification Search**  
USPC ..... D12/96, 181, 400, 414; D6/317-319,  
D6/513, 514; D8/303, 306, 307, 310,  
D8/311, 313-317; D25/38.1, 41.1;  
D32/35, 58  
CPC ..... B60N 3/026; B60P 3/36; B60P 7/0815;  
B61D 37/00  
See application file for complete search history.

(57) **CLAIM**

The ornamental design for a vehicle side guard, as shown and described.

**DESCRIPTION**

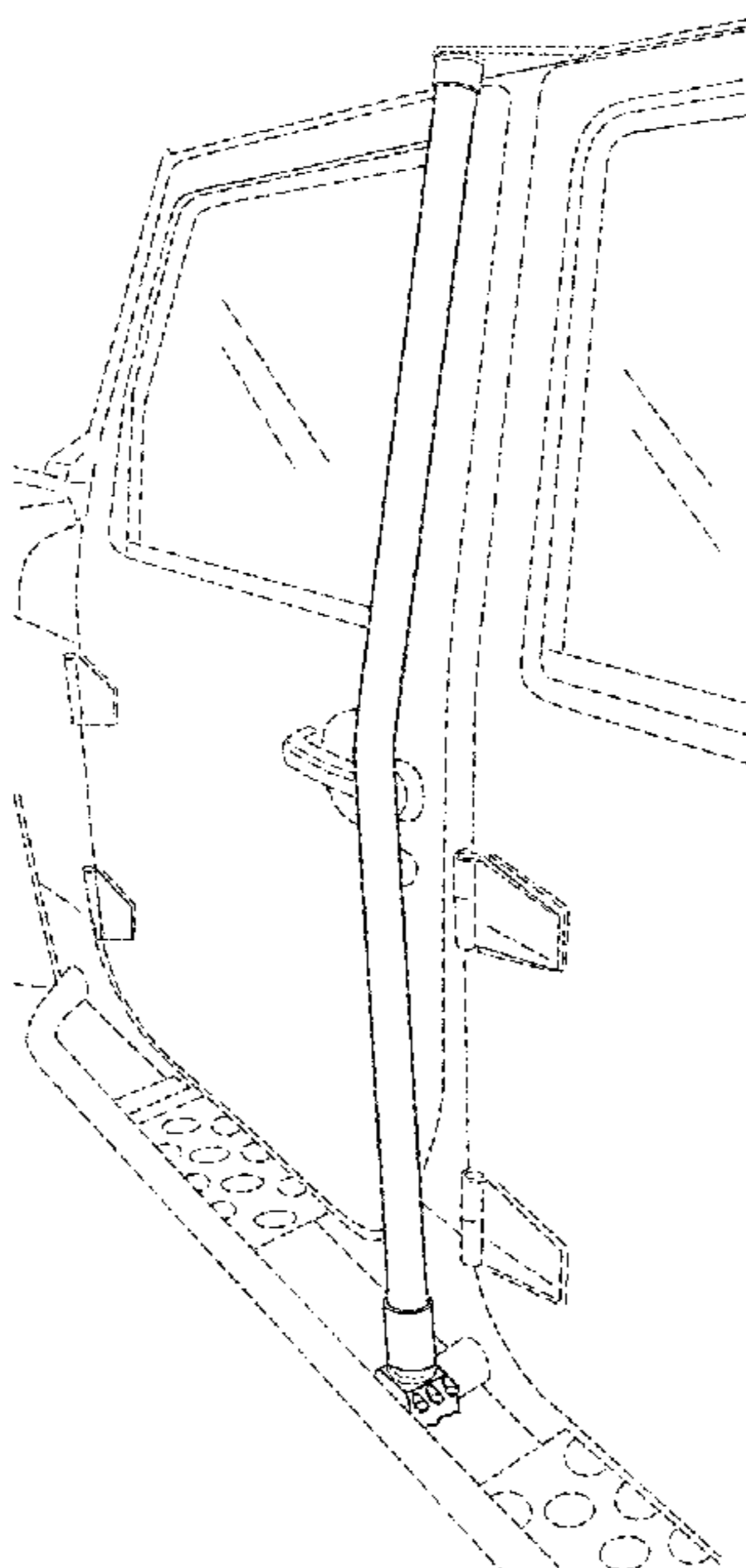
FIG. 1 is a rear elevation view the vehicle side guard showing my new design;  
FIG. 2 is side elevation view thereof;  
FIG. 3 is a reduced scale rear elevation view thereof showing only the pipe portion;  
FIG. 4 is a reduced scale rear perspective view thereof installed on the left side of a vehicle;  
FIG. 5 is an enlarged top perspective view thereof showing the bottom end;  
FIG. 6 is an enlarged bottom perspective view thereof showing the bottom end; and,  
FIG. 7 is an enlarged rear perspective view thereof showing the top end.  
The broken lines in the drawings illustrate portions of the vehicle side guard and environmental structure of a vehicle that forms no part of the claimed design.

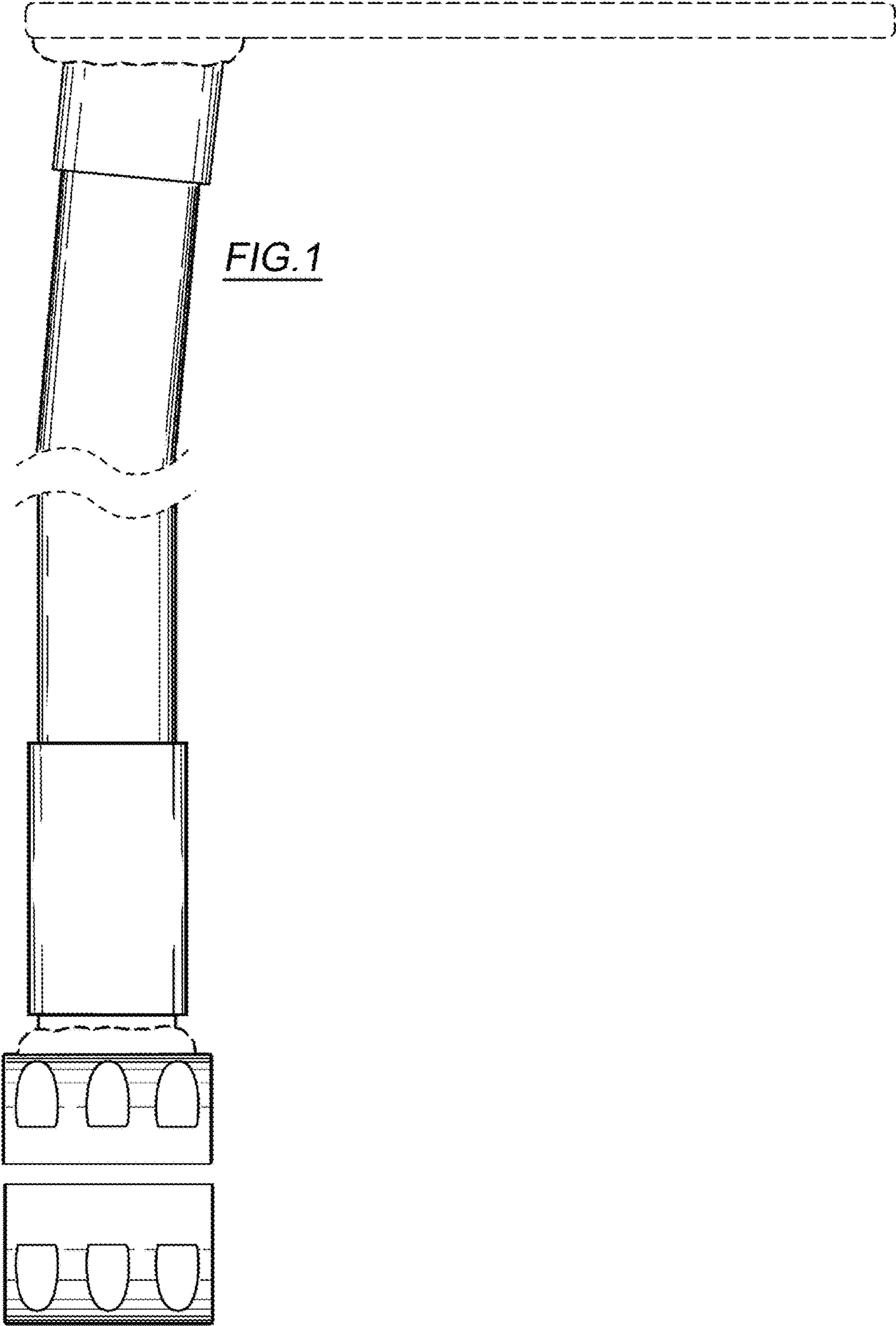
(56) **References Cited**

U.S. PATENT DOCUMENTS

D326,836 S \* 6/1992 Artman ..... D12/181  
D382,533 S \* 8/1997 Okland ..... D12/414  
6,131,979 A \* 10/2000 McGhee ..... B60N 3/026  
296/1.02  
D497,589 S \* 10/2004 Elwell ..... D12/414

**1 Claim, 7 Drawing Sheets**





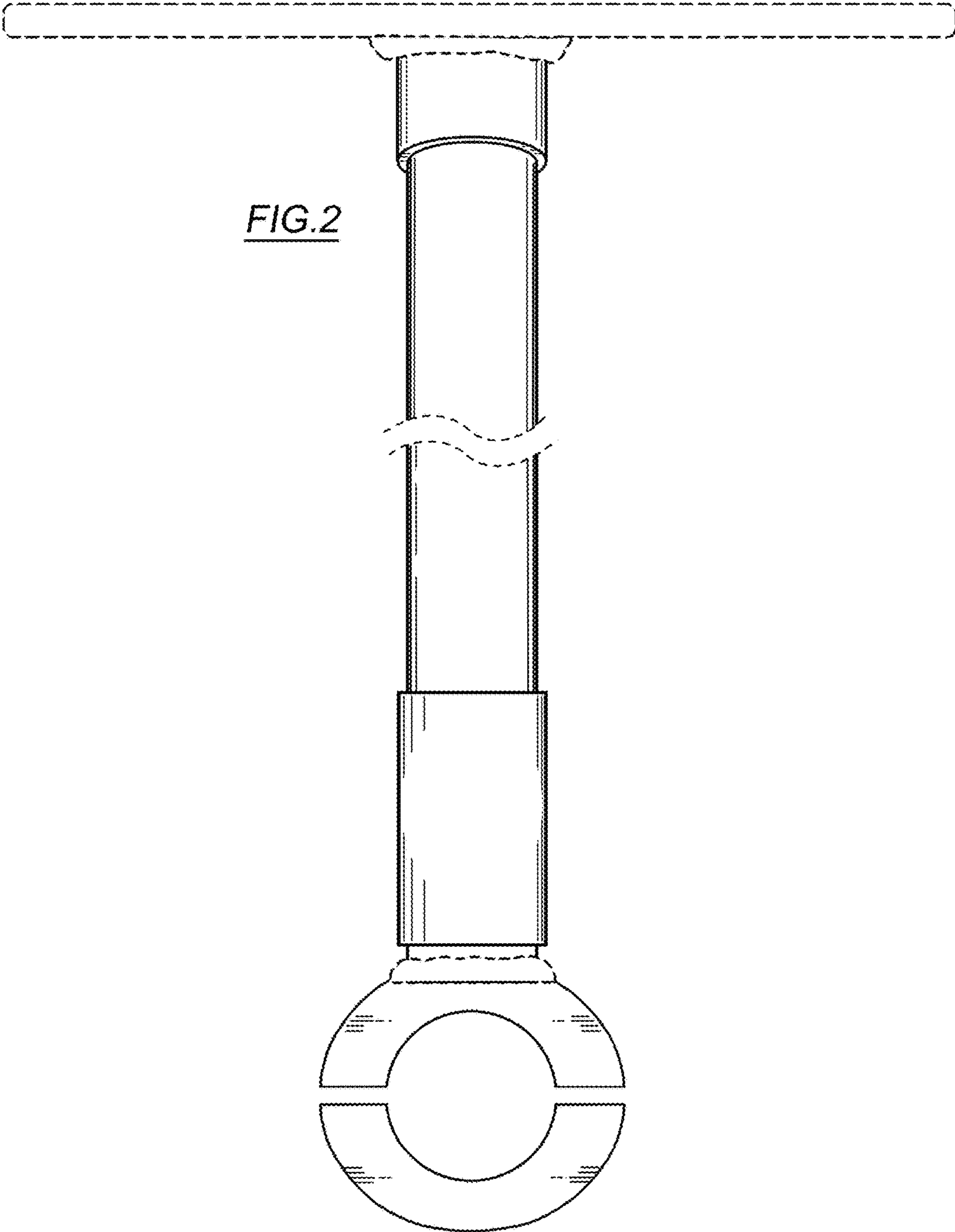


FIG. 2

FIG.3



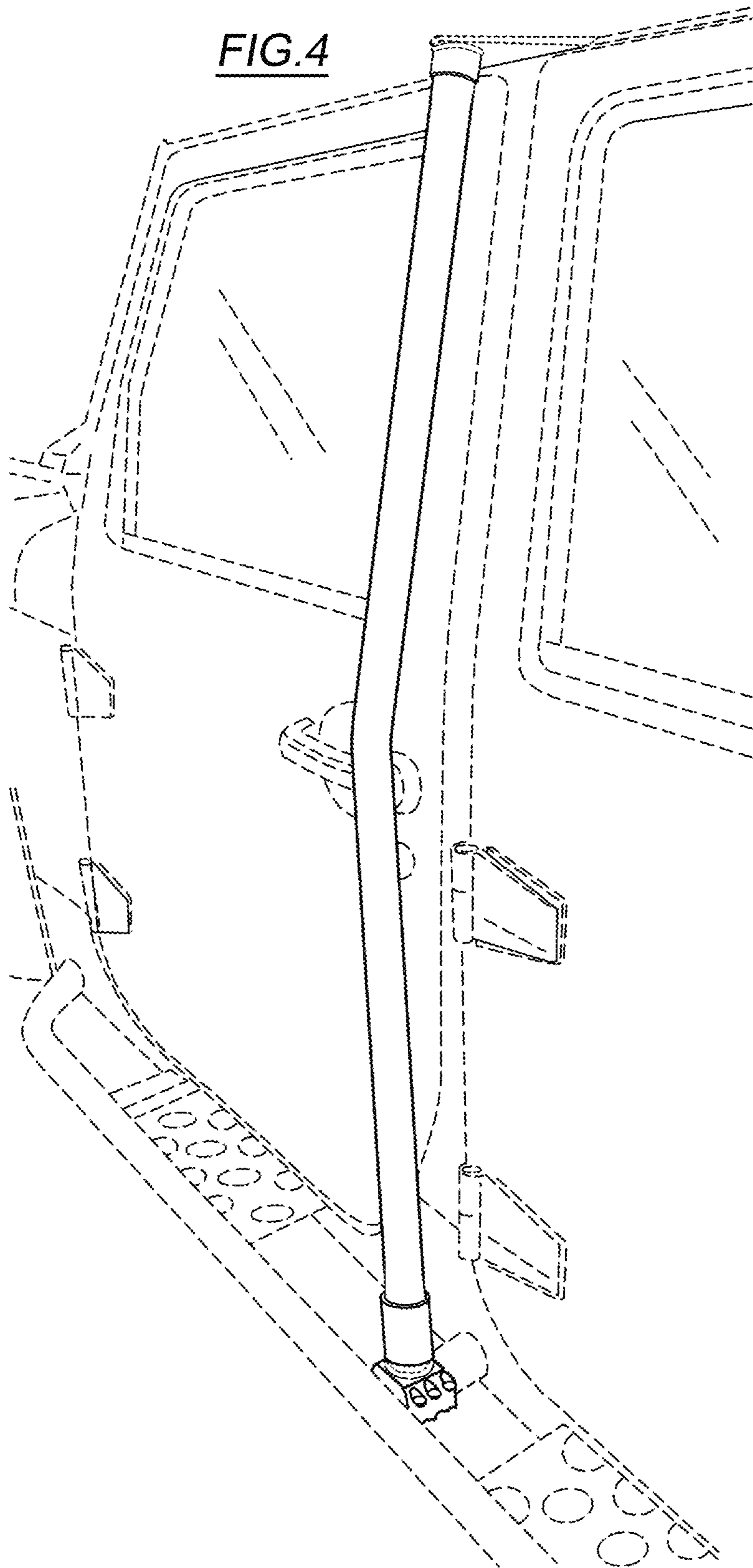
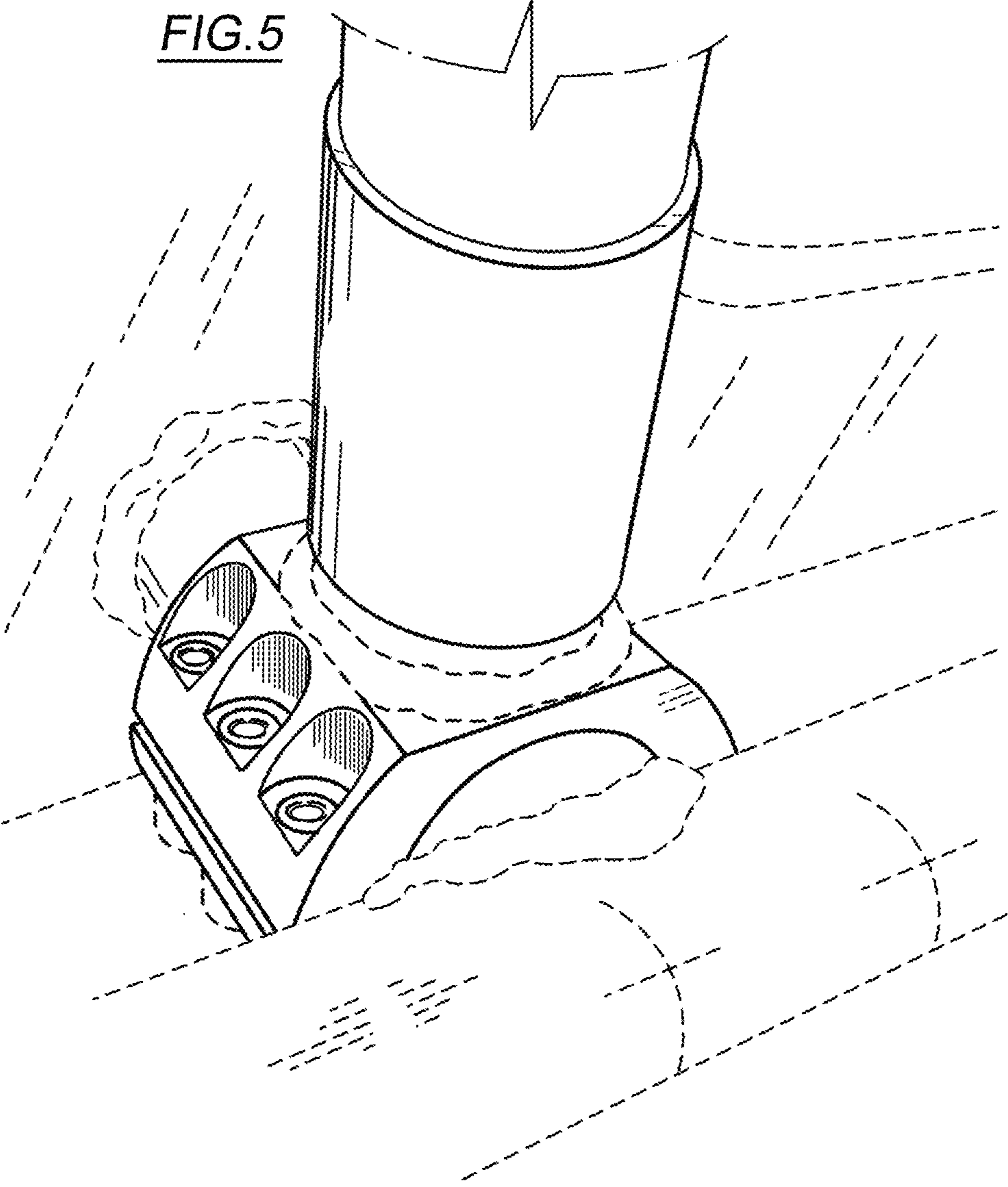


FIG. 5



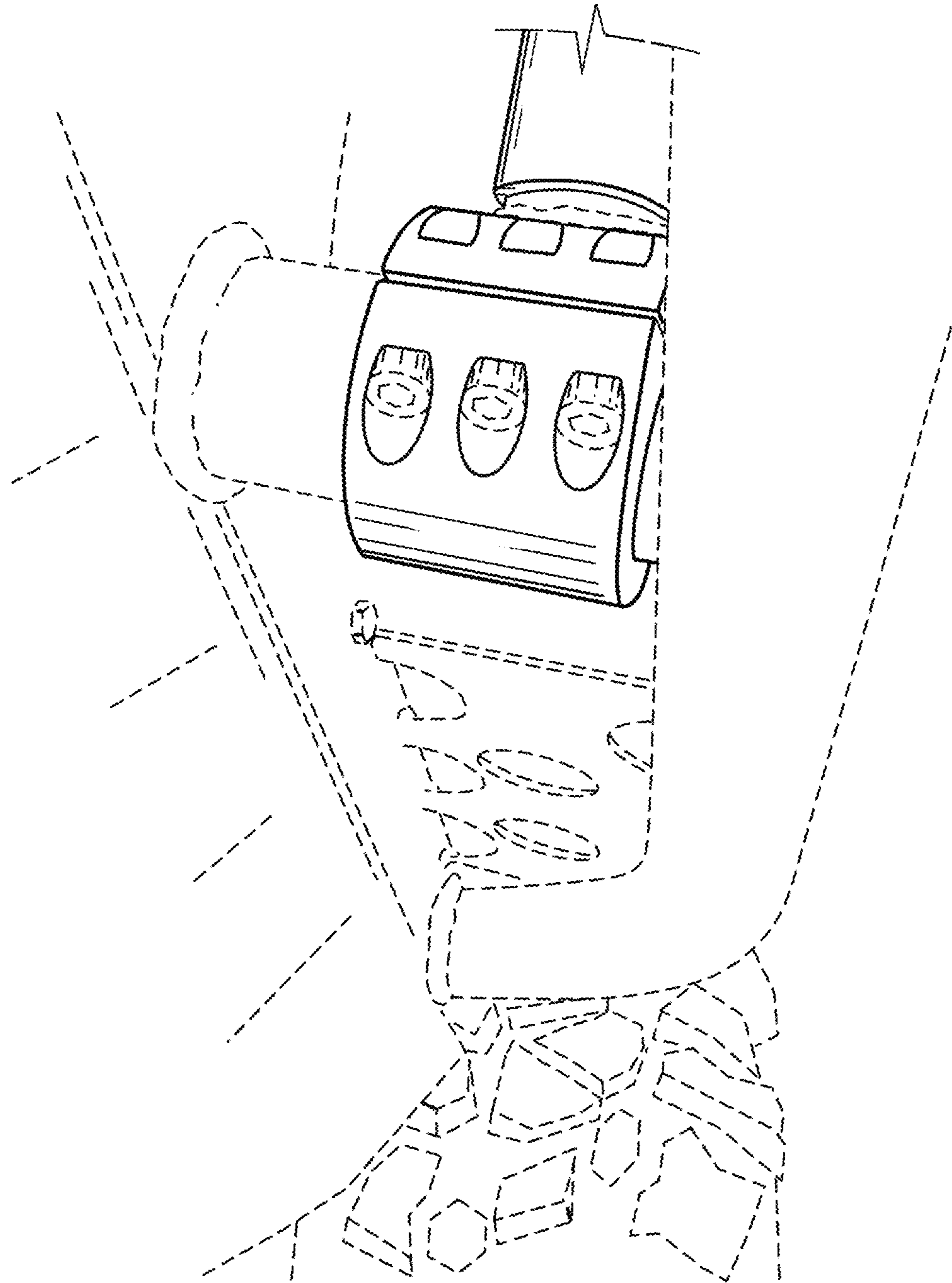


FIG.6

