



US00D834495S

(12) **United States Design Patent**  
**Fenoglio et al.**

(10) **Patent No.:** **US D834,495 S**

(45) **Date of Patent:** **\*\* Nov. 27, 2018**

(54) **ACCESSORY RACK FOR A GOLF CART**

(71) Applicants: **Tony Fenoglio**, Montague, TX (US);  
**Steven Brian Tettleton**, Nocona, TX (US)

(72) Inventors: **Tony Fenoglio**, Montague, TX (US);  
**Steven Brian Tettleton**, Nocona, TX (US)

(\*\*) Term: **15 Years**

(21) Appl. No.: **29/619,285**

(22) Filed: **Sep. 28, 2017**

(51) **LOC (11) Cl.** ..... **12-16**

(52) **U.S. Cl.**  
USPC ..... **D12/406**

(58) **Field of Classification Search**  
USPC ..... D12/401-414; D6/610-611  
CPC .... B60R 9/00; B60R 9/02; B60R 9/04; B60R 9/08; B60R 9/042; B60R 9/0423; B60R 9/0426; B60R 9/045; B60R 9/048; B60R 9/0485; B60R 9/05; B60R 9/052; B60R 9/055; B60R 9/058; B60R 9/06; B60R 9/065; B60R 9/10; B60R 9/12  
See application file for complete search history.

(56) **References Cited**

**U.S. PATENT DOCUMENTS**

3,042,443	A	7/1962	Laher	
4,355,746	A	10/1982	Casady	
D268,830	S *	5/1983	Sutela	D12/93
5,088,635	A	2/1992	Taylor et al.	
D345,717	S	4/1994	Molzon et al.	
5,452,773	A	9/1995	Hrupka	
D369,762	S	5/1996	Molzon et al.	
D373,099	S	8/1996	Molzon et al.	
D395,023	S	6/1998	Hikida	
D498,704	S	11/2004	Bonner et al.	
D514,981	S	2/2006	Andrews et al.	

7,980,628	B2	7/2011	Hu et al.	
D713,775	S *	9/2014	Lagermann	D12/406
D743,870	S *	11/2015	Galley	D12/406
D746,174	S	12/2015	Storms	
D755,686	S *	5/2016	Clark	D12/406
D800,634	S *	10/2017	Evans	D12/407
D809,996	S *	2/2018	Lee	D12/406
D815,581	S *	4/2018	Anderson	D12/406
D817,852	S *	5/2018	Mifsud	D12/406

(Continued)

*Primary Examiner* — Katrina A Betton

(74) *Attorney, Agent, or Firm* — Whitaker Chalk Swindle & Schwartz PLLC; Charles D. Gunter, Jr.

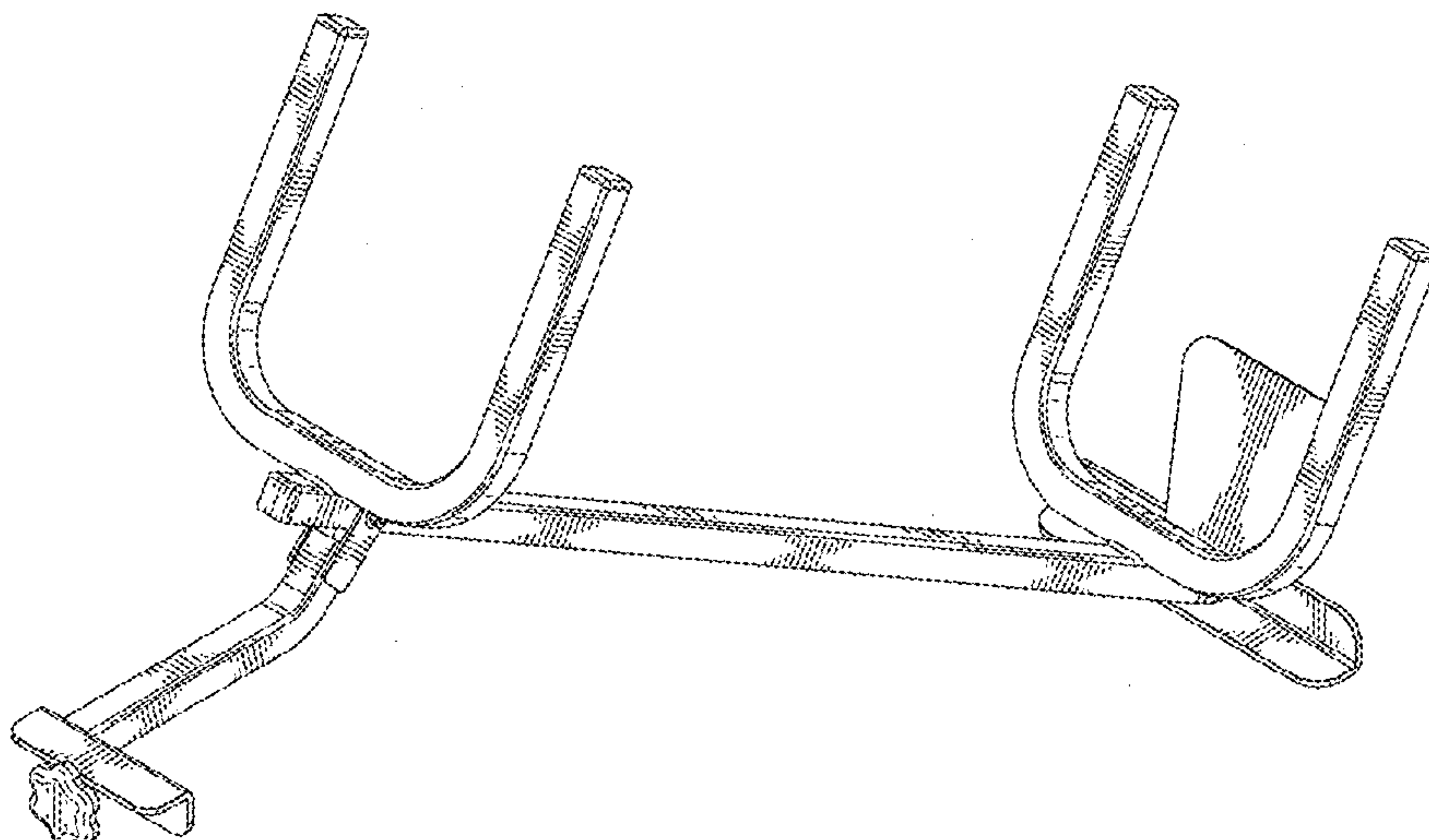
(57) **CLAIM**

The ornamental design for an accessory rack for a golf cart, as shown and described.

**DESCRIPTION**

FIG. 1 is a perspective view of the accessory rack for a golf cart showing our new design;  
 FIG. 2 is a right side view of the accessory rack for a golf cart of FIG. 1;  
 FIG. 3 is a left side view of the accessory rack for a golf cart of FIG. 1;  
 FIG. 4 is a top plan view of the accessory rack for a golf cart of FIG. 1.  
 FIG. 5 is a bottom plan view of the accessory rack for a golf cart of FIG. 1.  
 FIG. 6 is a top end view of the accessory rack for a golf cart of FIG. 1.  
 FIG. 7 is a bottom end view of the accessory rack for a golf cart of FIG. 1; and,  
 FIG. 8 is an environmental view of the accessory rack for a golf cart of the invention showing the rack in the rear bed of a golf cart, the golf cart being shown in broken lines.  
 The broken lines in the drawings depict portions of the design and environmental features that form no part of the claimed design.

**1 Claim, 6 Drawing Sheets**



(56)

**References Cited**

U.S. PATENT DOCUMENTS

D821,288 S \* 6/2018 Huang ..... D12/406  
2007/0051763 A1 3/2007 Adrian

\* cited by examiner

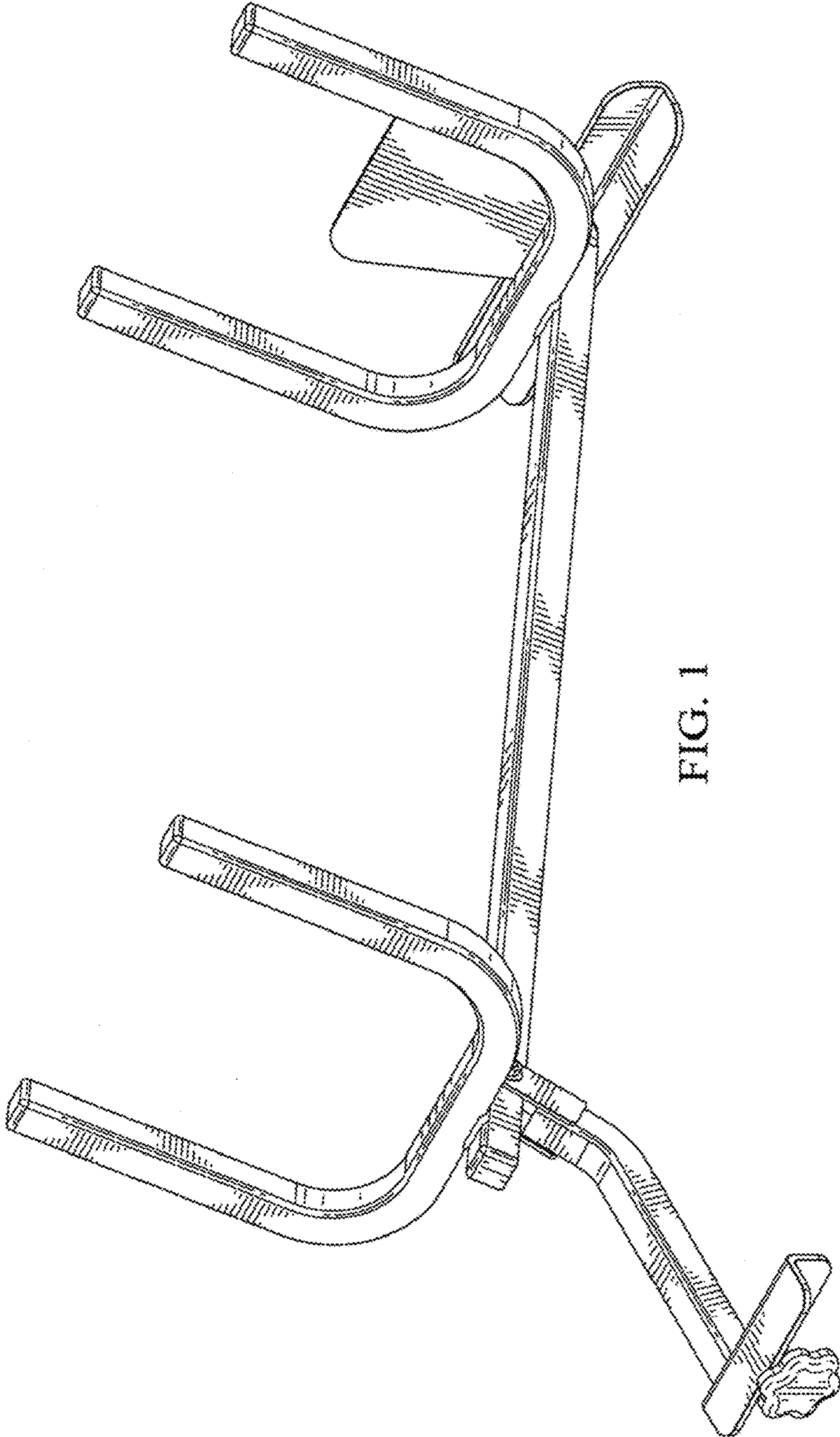


FIG. 1

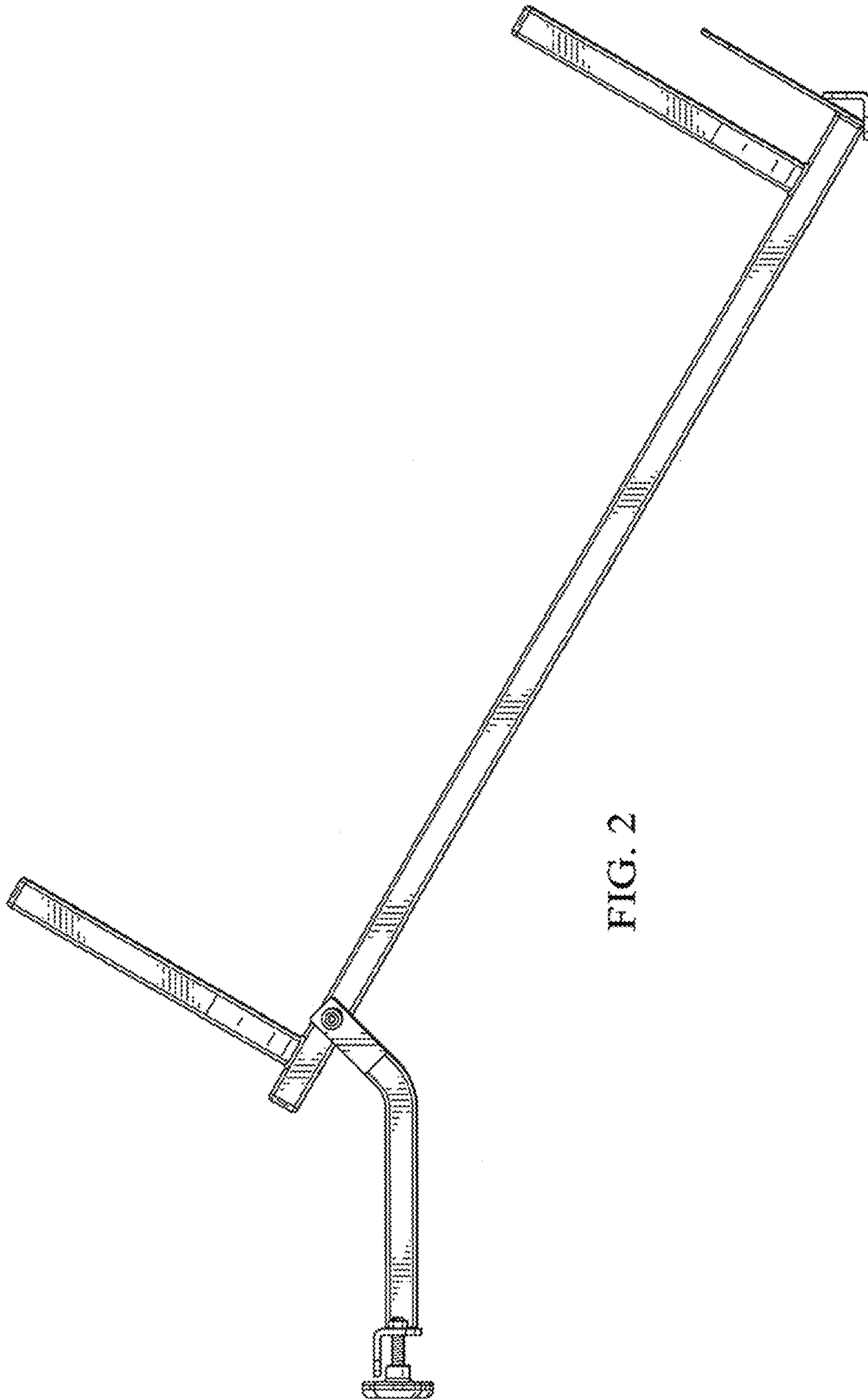


FIG. 2



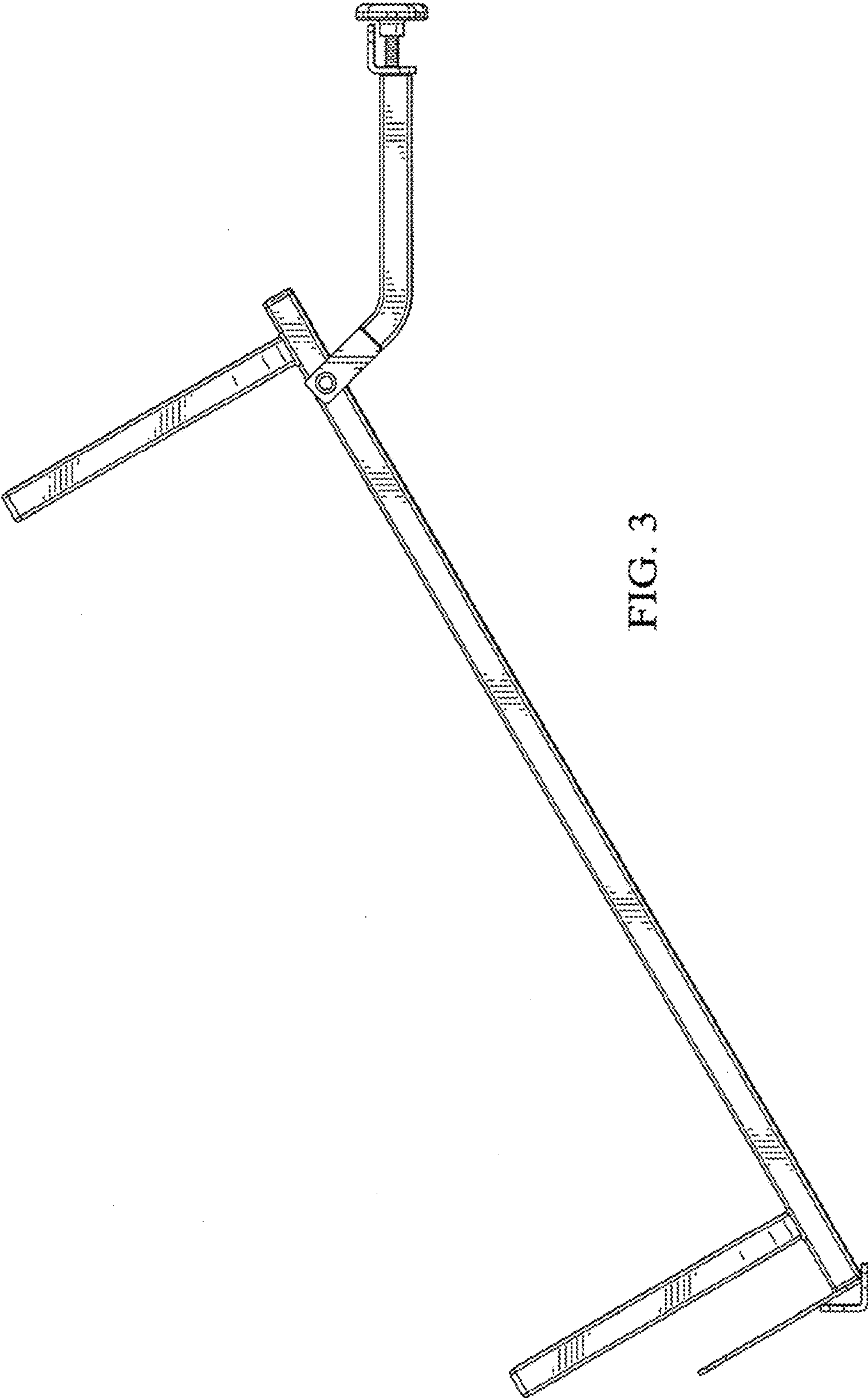


FIG. 3

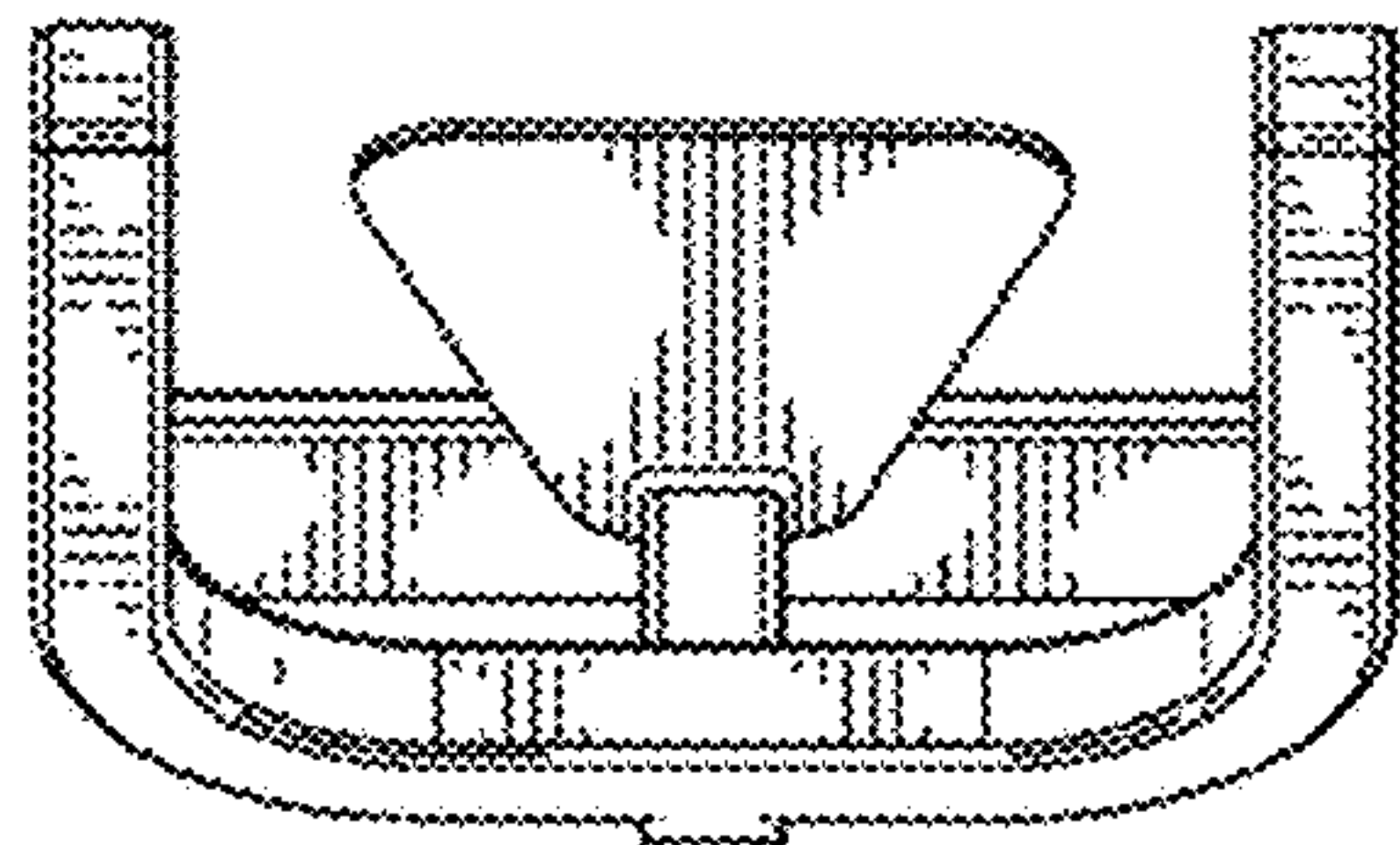


FIG. 4

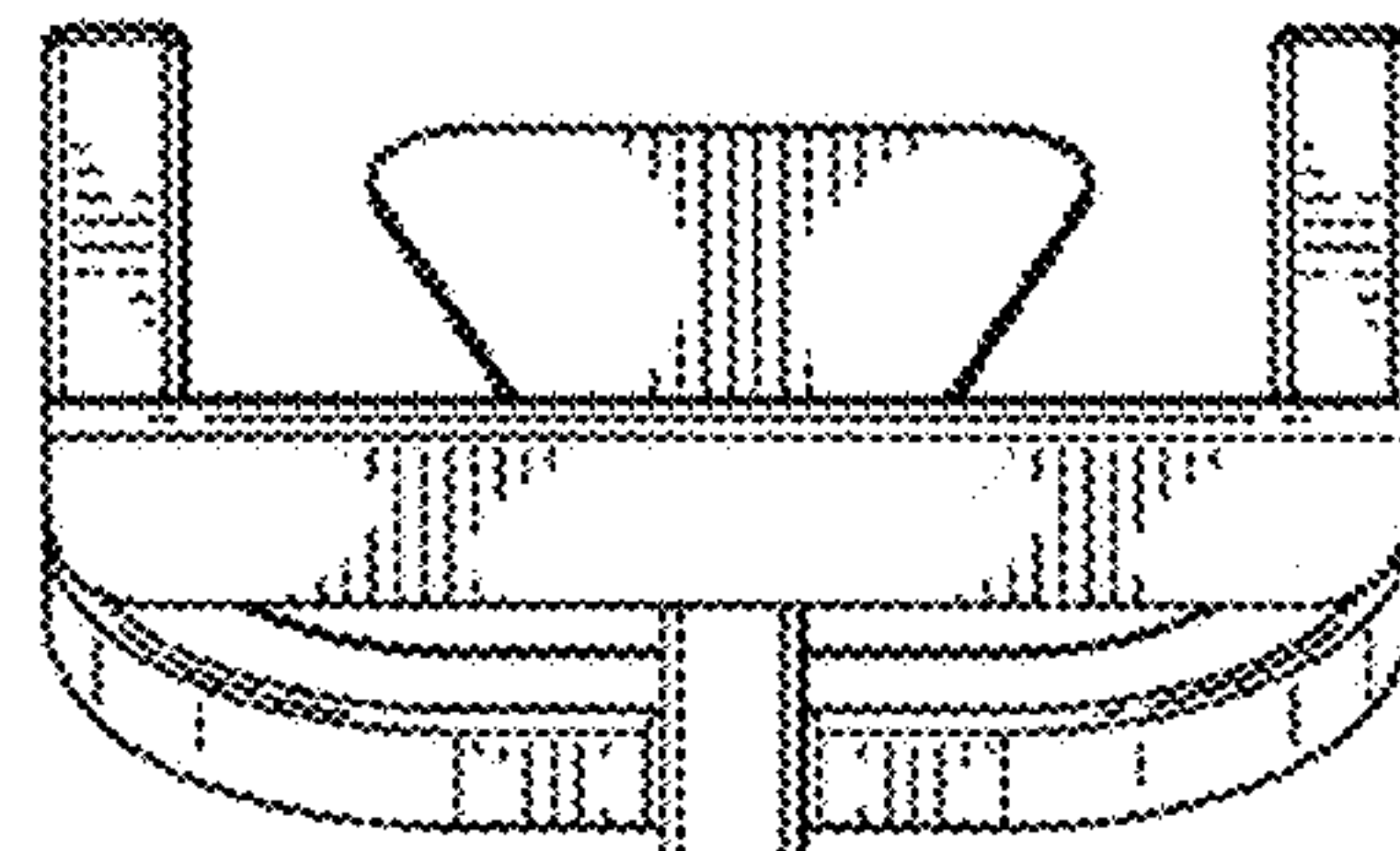
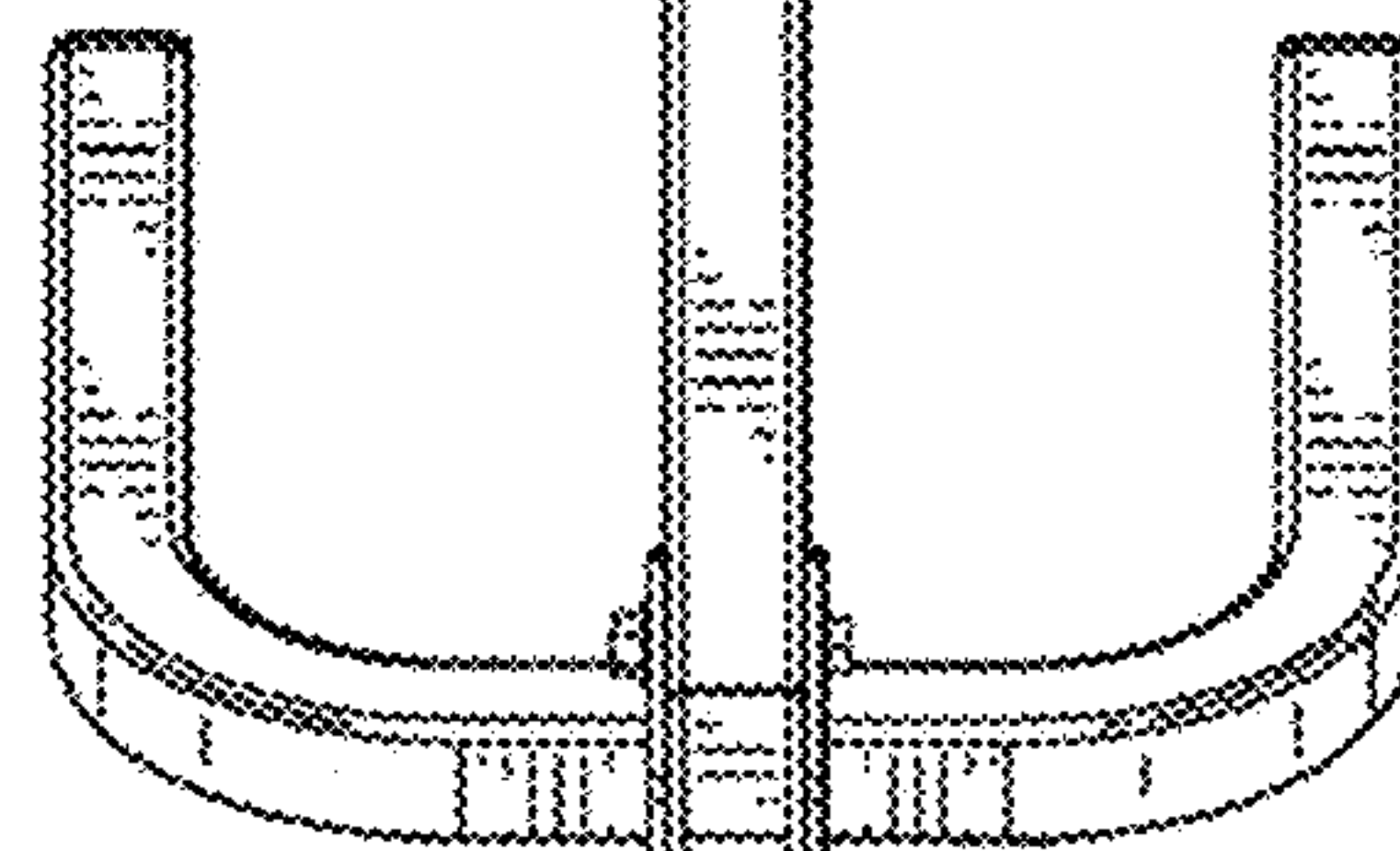
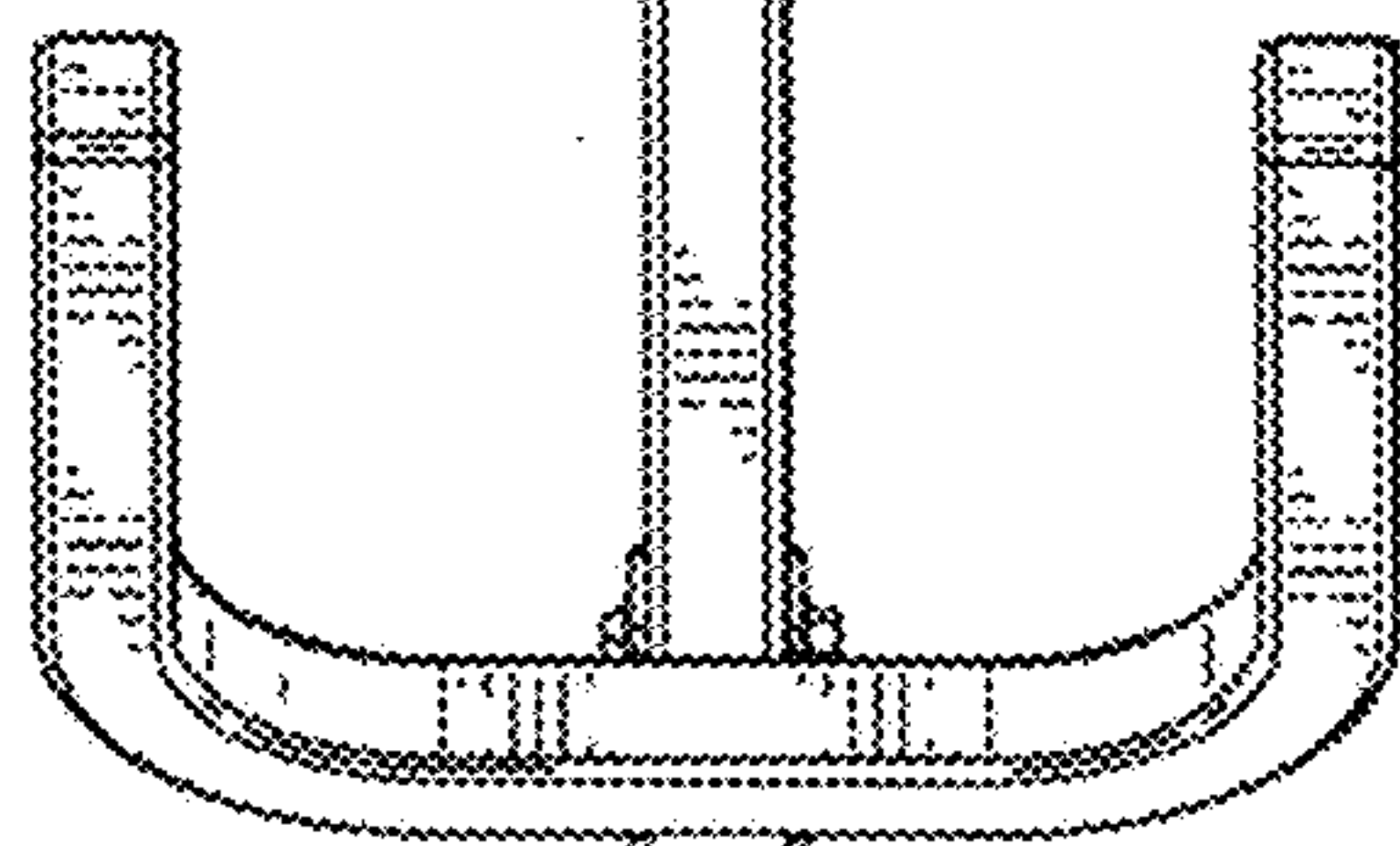


FIG. 5



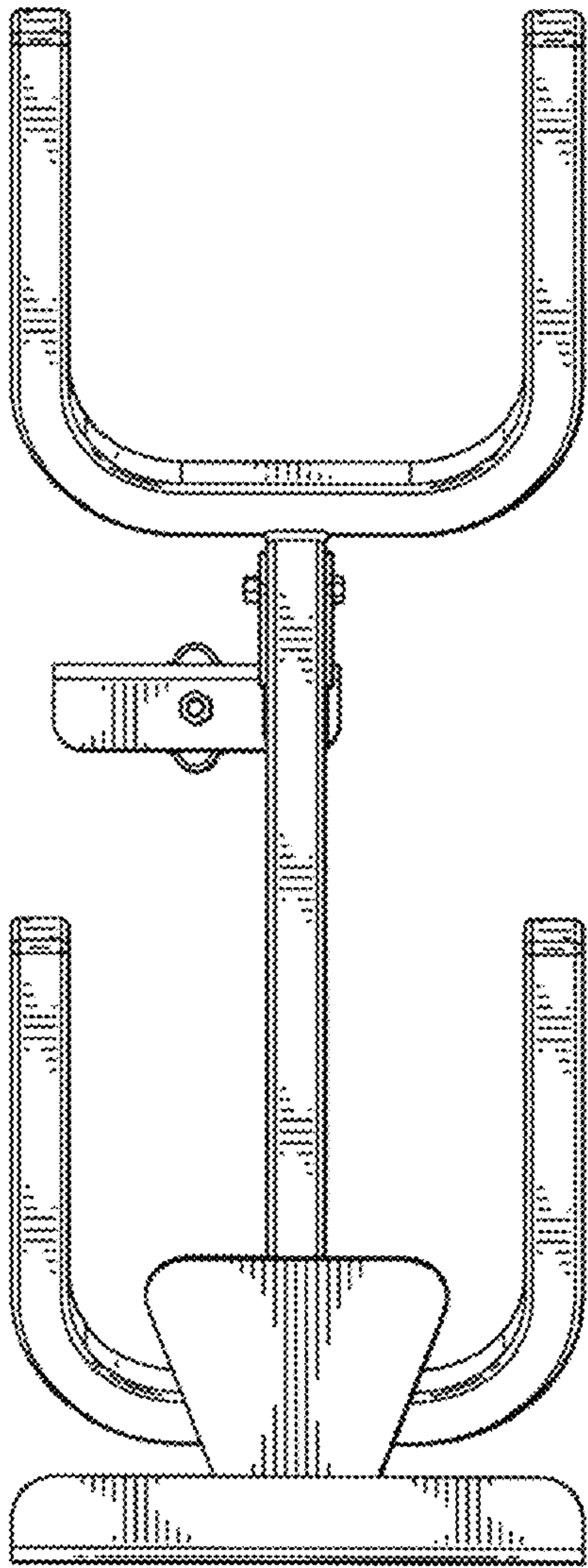


FIG. 6

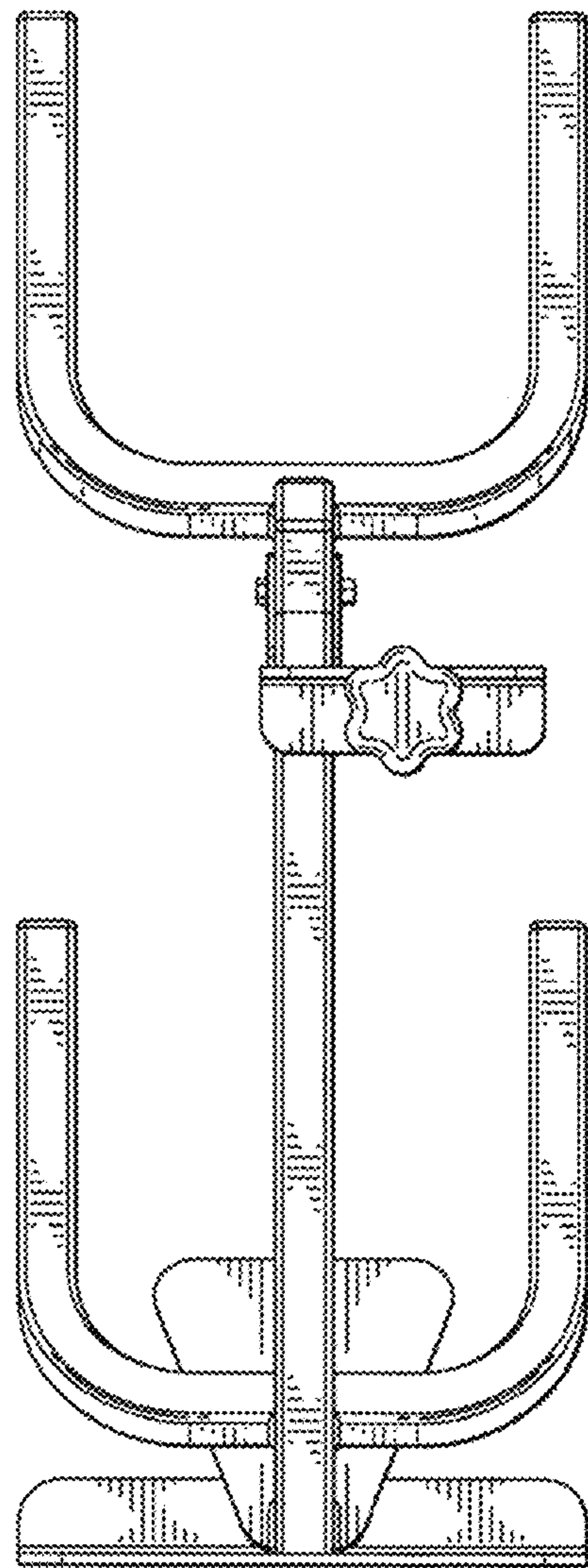


FIG. 7



