



US00D834494S

(12) **United States Design Patent** (10) **Patent No.:** **US D834,494 S**
Xiao (45) **Date of Patent:** **** Nov. 27, 2018**

(54) **BIKE COVER**

(71) Applicant: **Yongkai Xiao**, Zhongshan (CN)

(72) Inventor: **Yongkai Xiao**, Zhongshan (CN)

(**) Term: **15 Years**

(21) Appl. No.: **29/627,419**

(22) Filed: **Nov. 27, 2017**

(51) **LOC (11) Cl.** **12-16**

(52) **U.S. Cl.**
USPC **D12/402**

(58) **Field of Classification Search**
USPC D6/610-611, 596, 601-603, 615, 617,
D6/621; D12/401-405; D7/332,
D7/334-337
CPC ... B60J 7/19; B60J 7/0435; B60J 11/04; B60J
1/2091; B60J 7/024
See application file for complete search history.

(56) **References Cited**

U.S. PATENT DOCUMENTS

D496,322 S	*	9/2004	Farney	D12/401
D626,060 S	*	10/2010	Rians	D12/402
D637,134 S	*	5/2011	Kaiser	D12/318
D638,777 S	*	5/2011	Poland	D12/402
D651,678 S	*	1/2012	Muggleton	D12/402
D675,974 S	*	2/2013	Nguyen	D12/402
D679,771 S	*	4/2013	Muggleton	D12/401
D688,619 S	*	8/2013	Camara	D12/402
D705,157 S	*	5/2014	Madison	D12/401
D723,451 S	*	3/2015	Depew, Jr.	D12/402

D745,843 S	*	12/2015	Wuttig	D12/402
D781,209 S	*	3/2017	Houck	D12/402
D816,586 S	*	5/2018	Doughty	D12/402

* cited by examiner

Primary Examiner — Katrina A Betton

(74) *Attorney, Agent, or Firm* — Law Offices of Steven W. Weinrieb

(57) **CLAIM**

The ornamental design for a bike cover, as shown and described.

DESCRIPTION

FIG. 1 is a left side top perspective view of the bike cover showing my new design;
FIG. 2 is an inverted right side bottom perspective view thereof;
FIG. 3 is a top plan view thereof;
FIG. 4 is a bottom plan view thereof.
FIG. 5 is a front elevational view thereof;
FIG. 6 is a rear elevational view thereof;
FIG. 7 is a left side elevational view thereof;
FIG. 8 is a right side elevational view thereof;
FIG. 9 is an enlarged detailed view of the circled region 9 disclosed within FIG. 1;
FIG. 10 is an enlarged detailed view of the circled region 10 disclosed within FIG. 2;
FIG. 11 is an enlarged detailed view of the circled region 9 disclosed within FIG. 4;
FIG. 12 is an enlarged detailed view of the circled region 12 disclosed within FIG. 5; and,
FIG. 13 is an enlarged detailed view of the circled region 13 disclosed within FIG. 7.

1 Claim, 13 Drawing Sheets

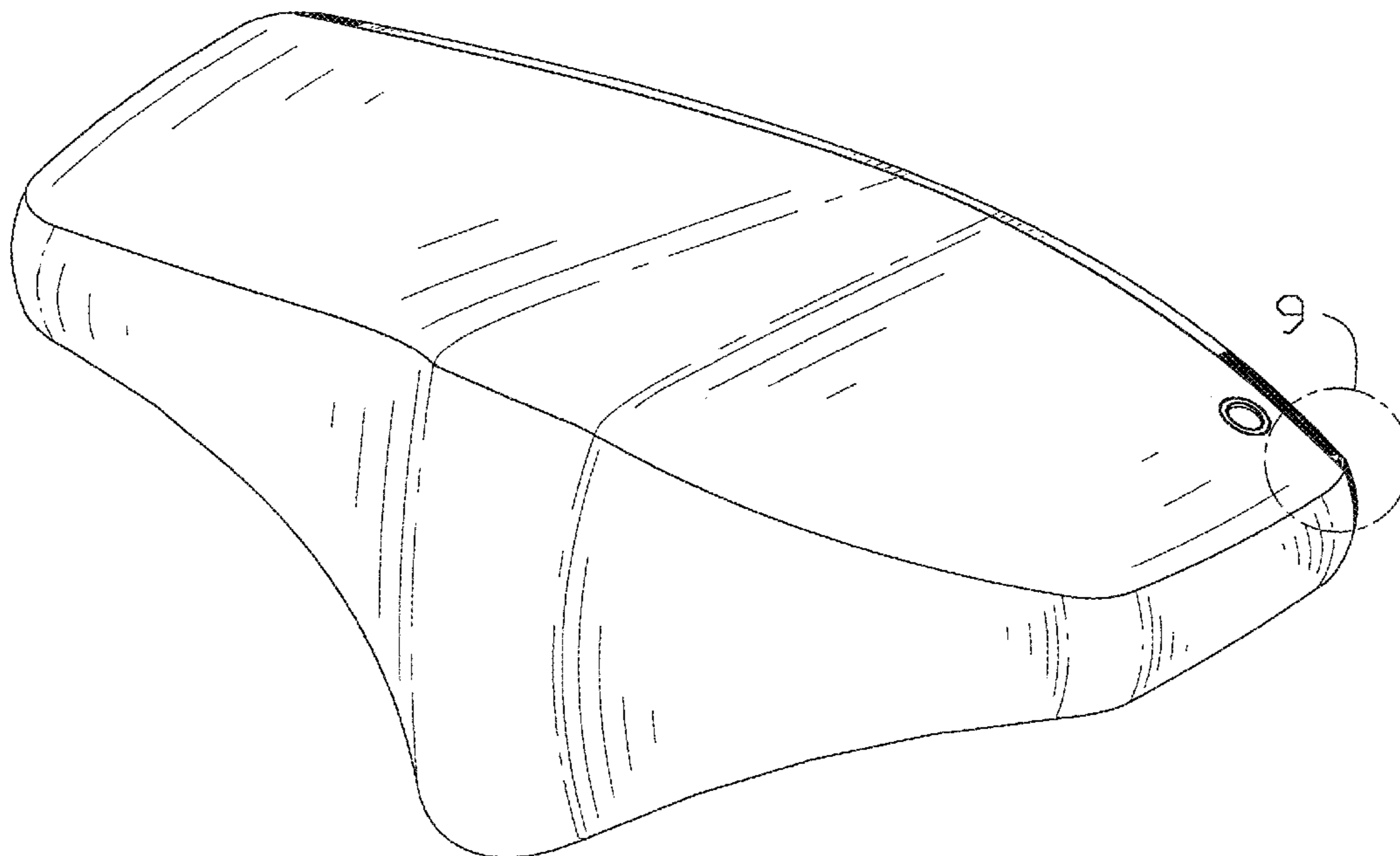




FIG. 1



FIG. 2

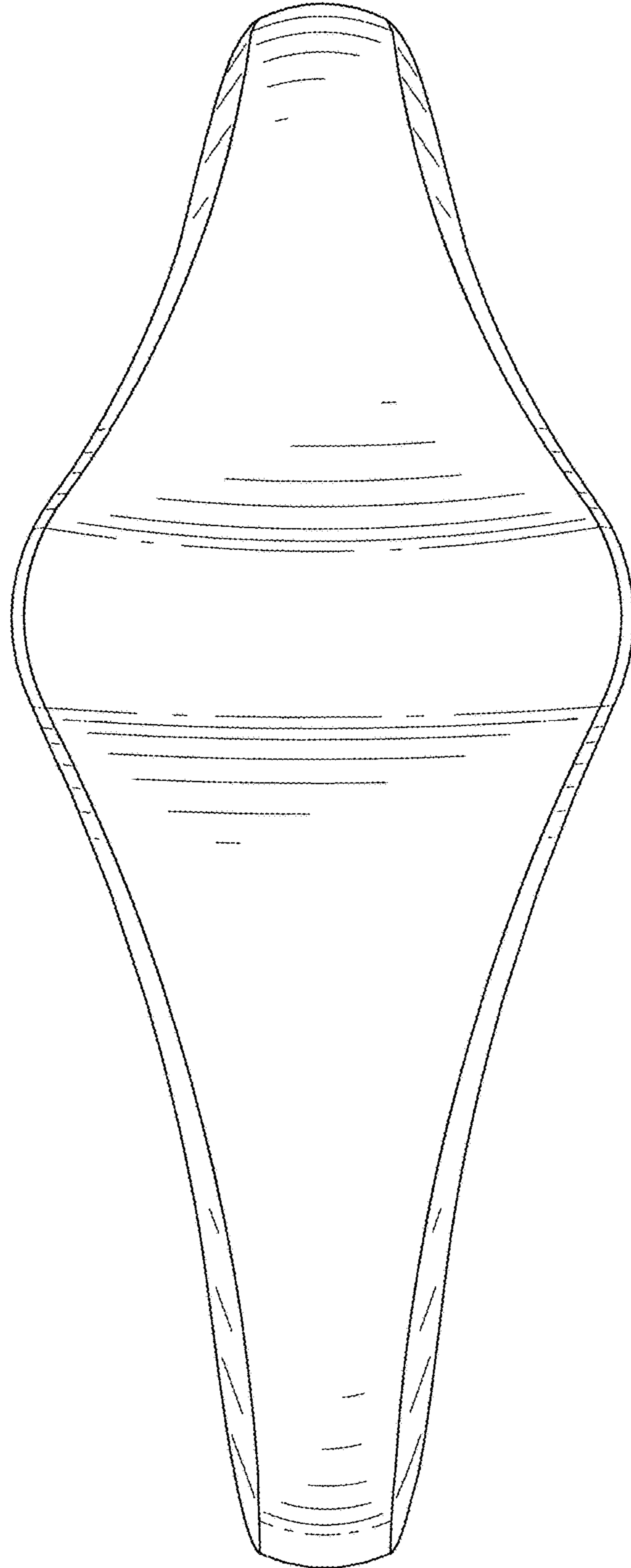


FIG. 3

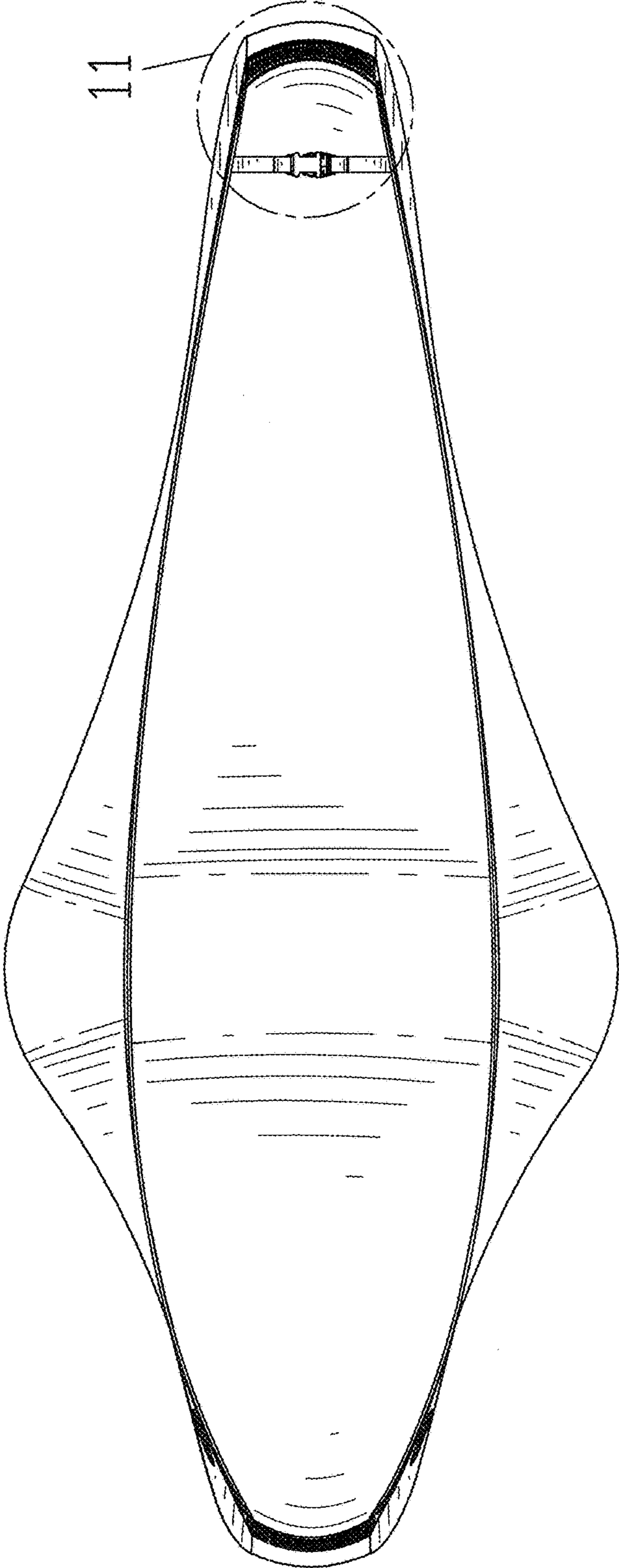


FIG. 4

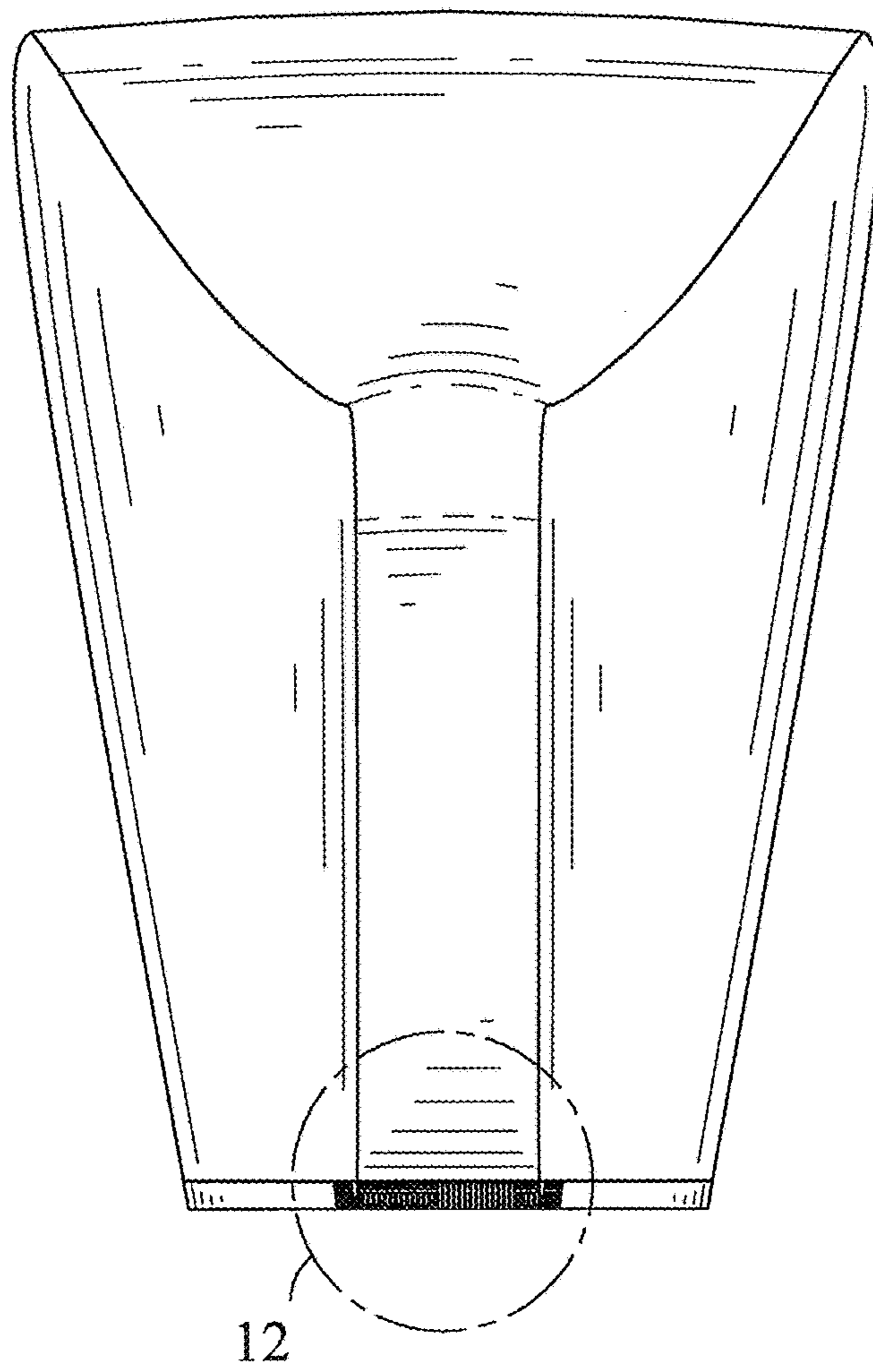


FIG. 5

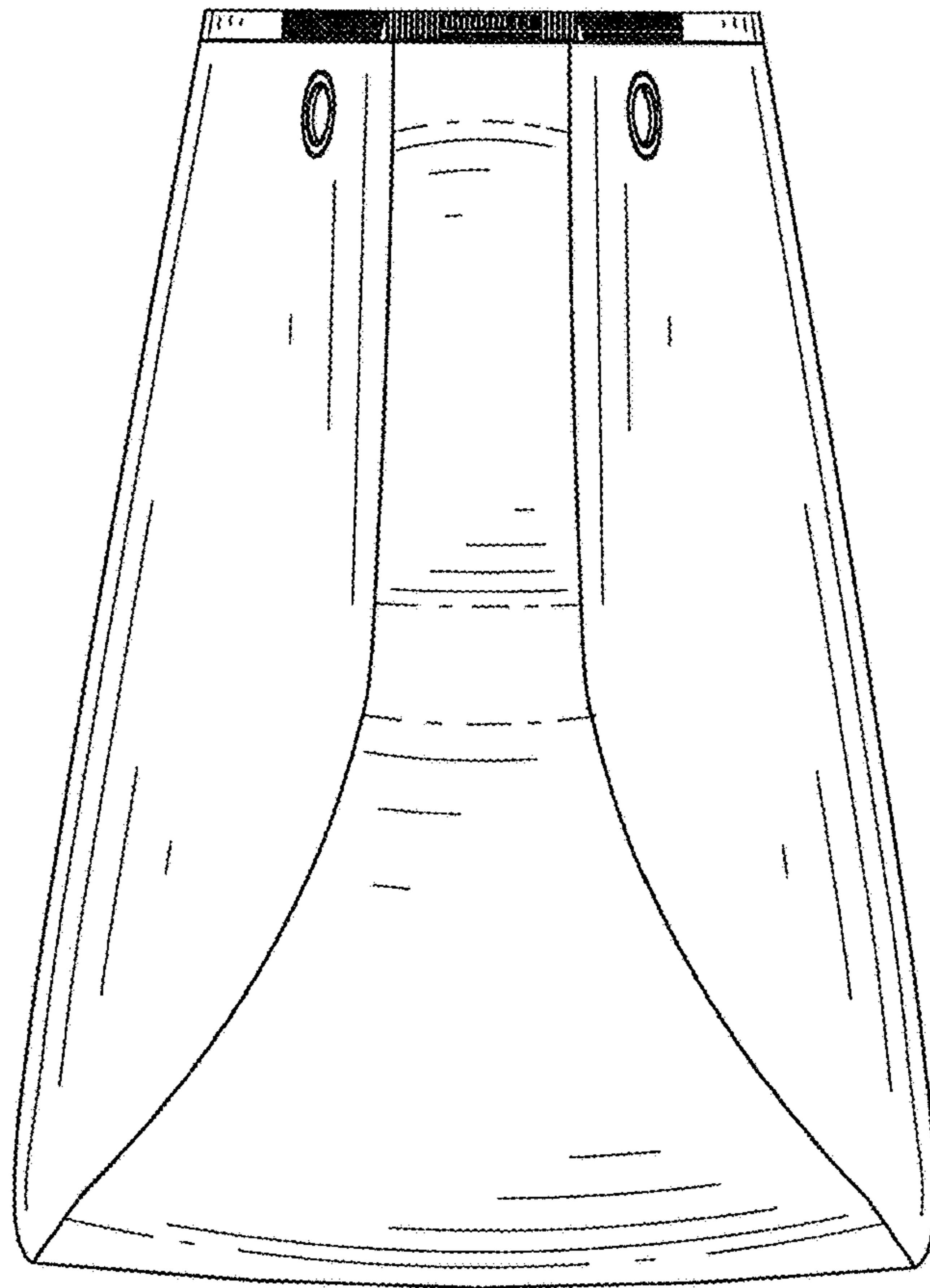


FIG. 6

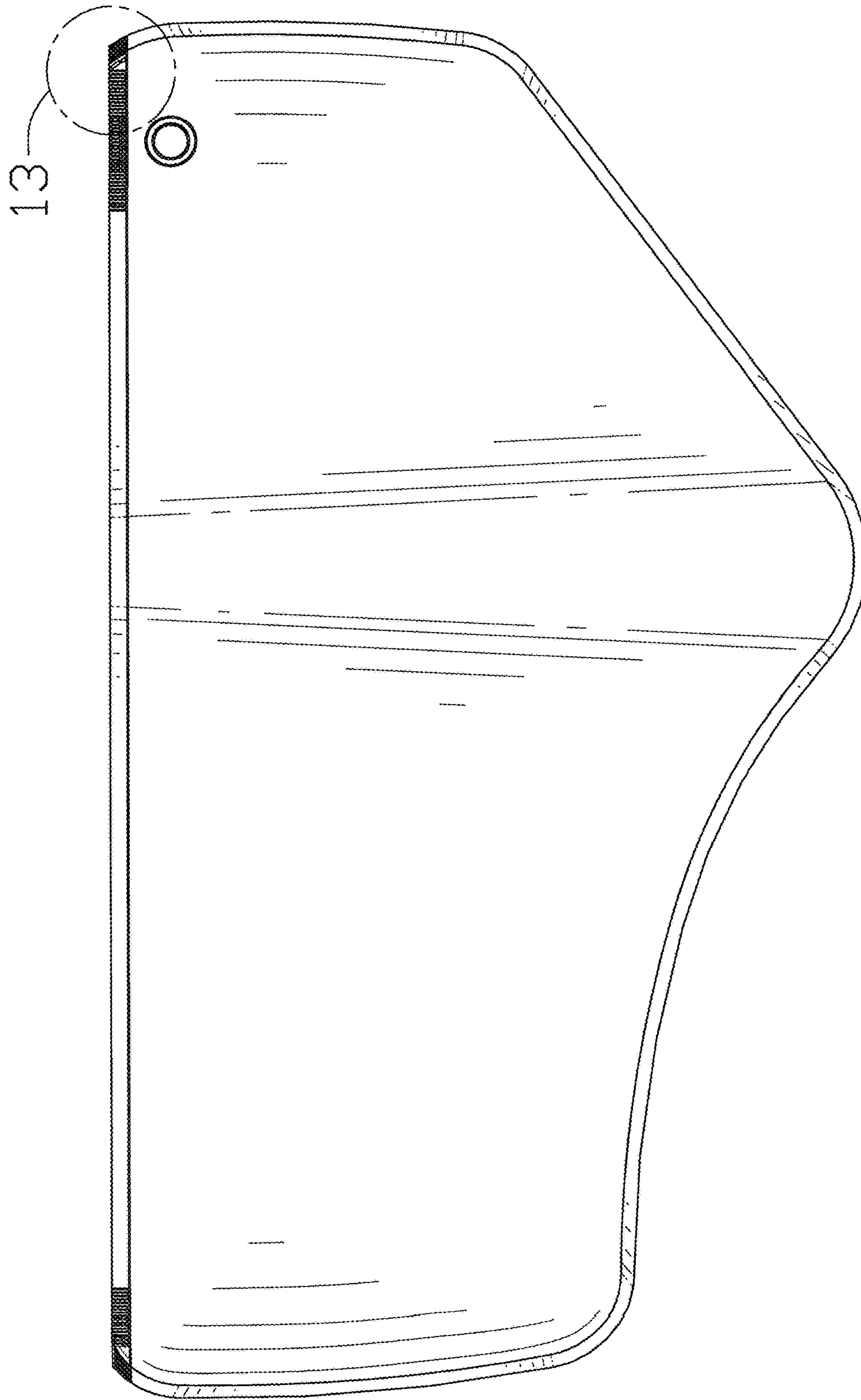


FIG. 7

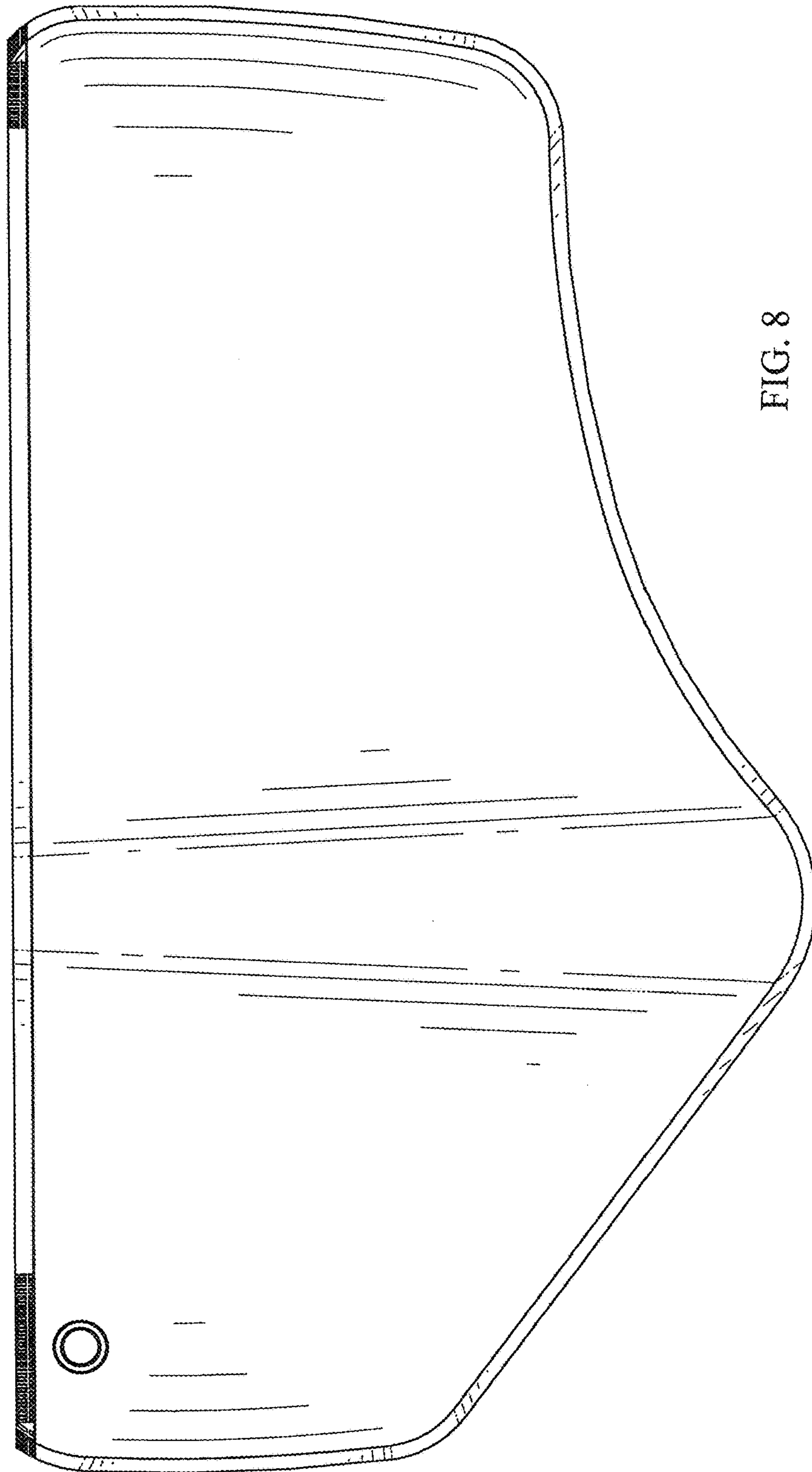


FIG. 8

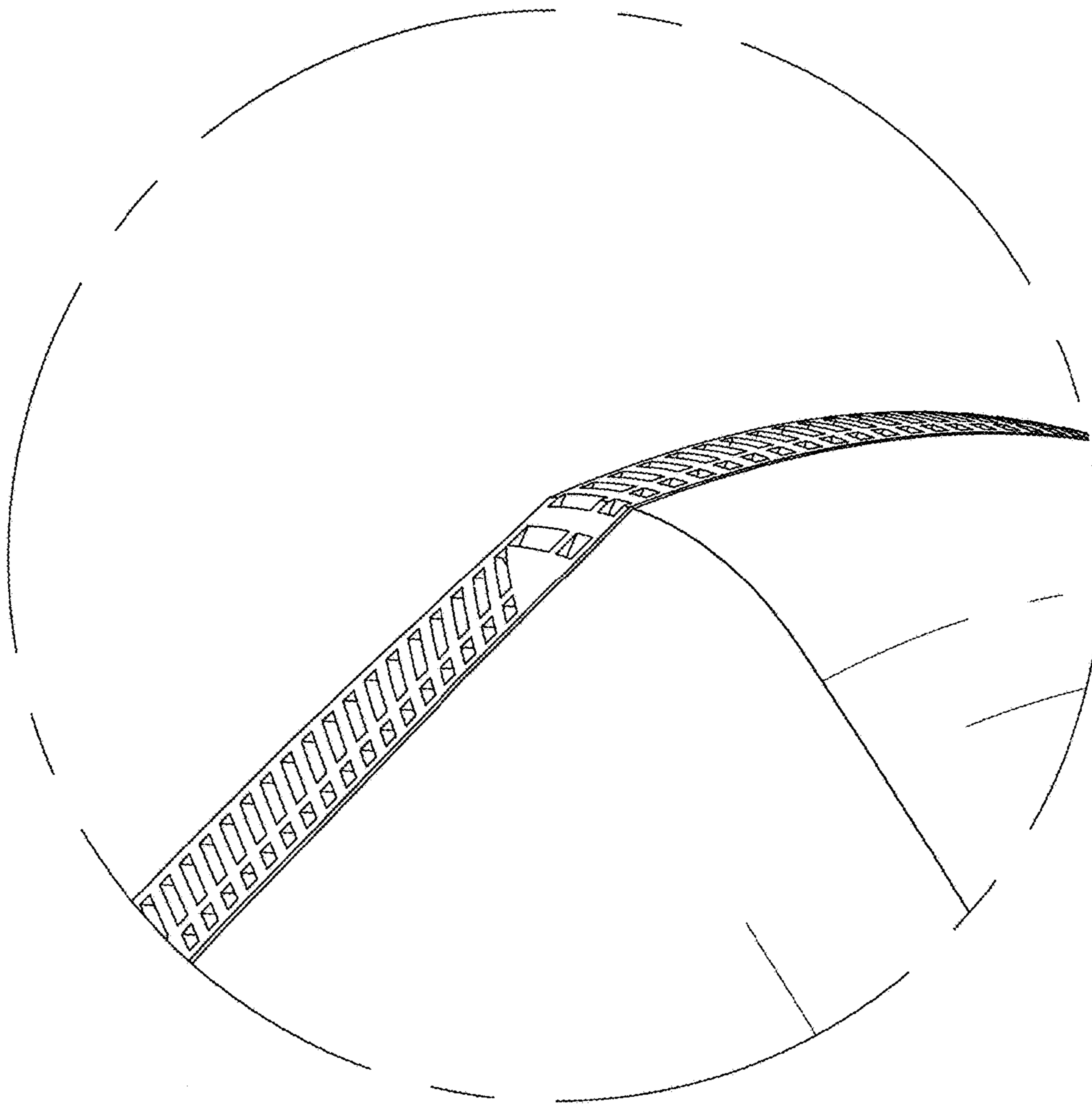


FIG. 9

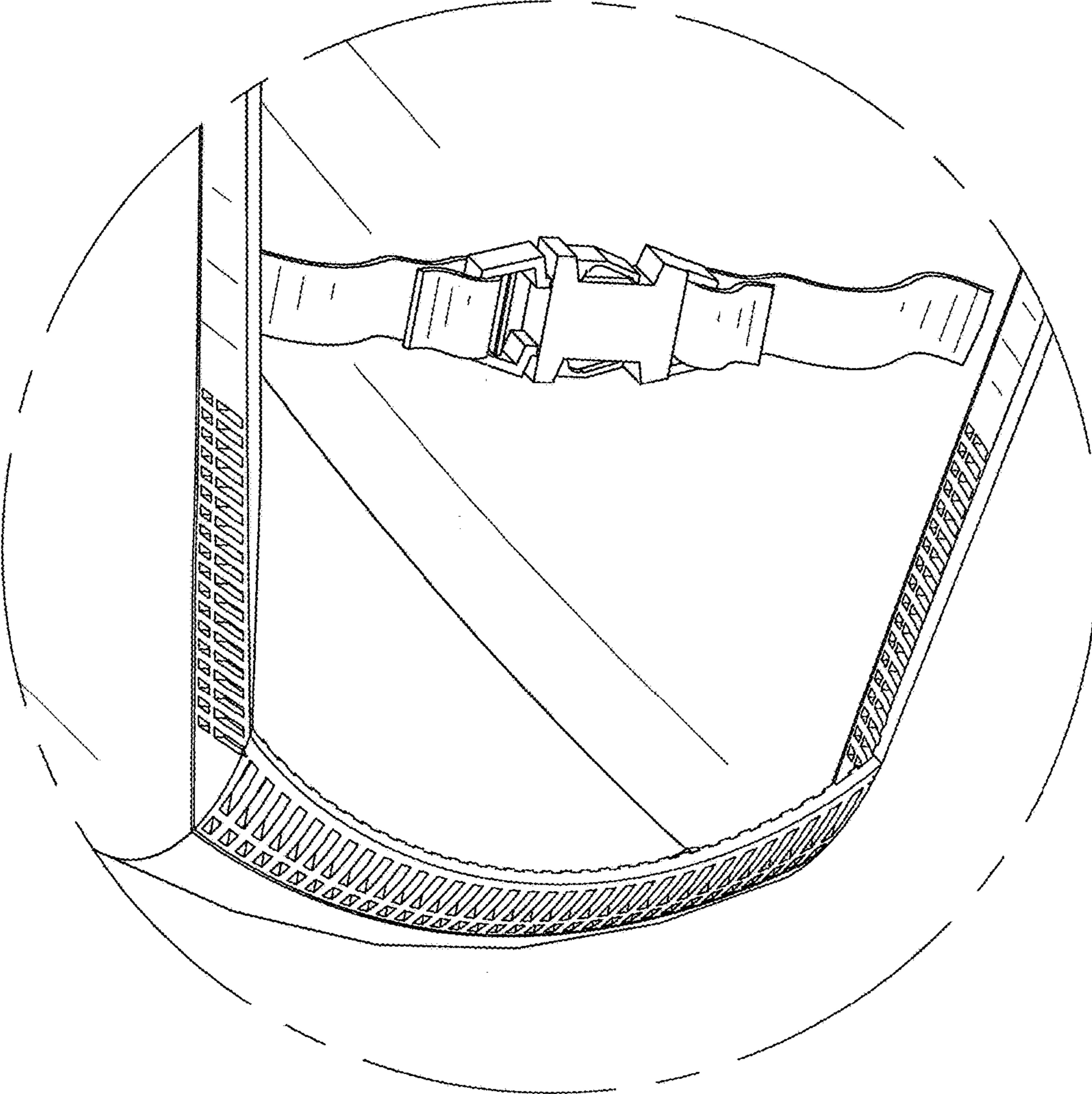


FIG. 10

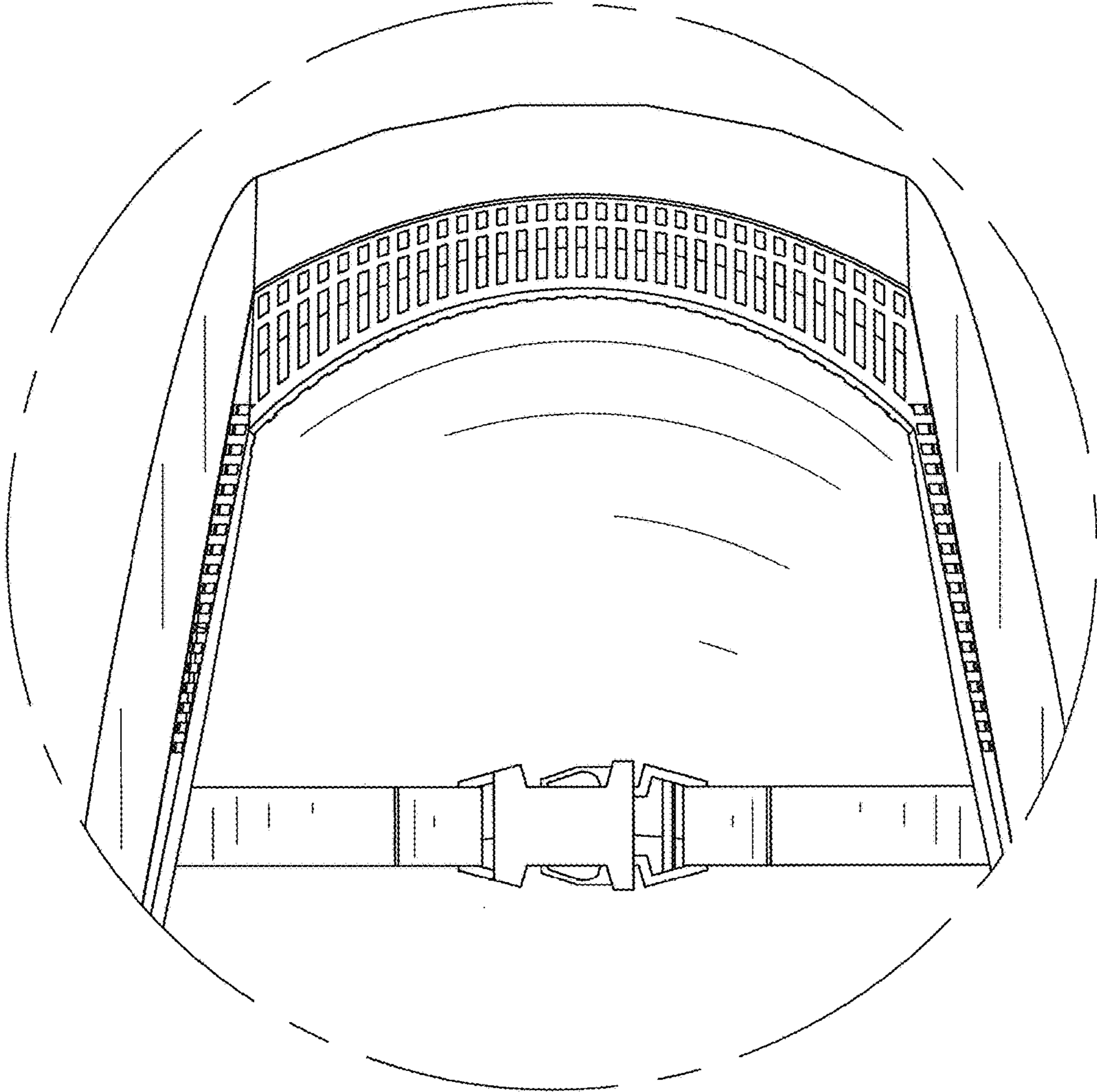


FIG. 11

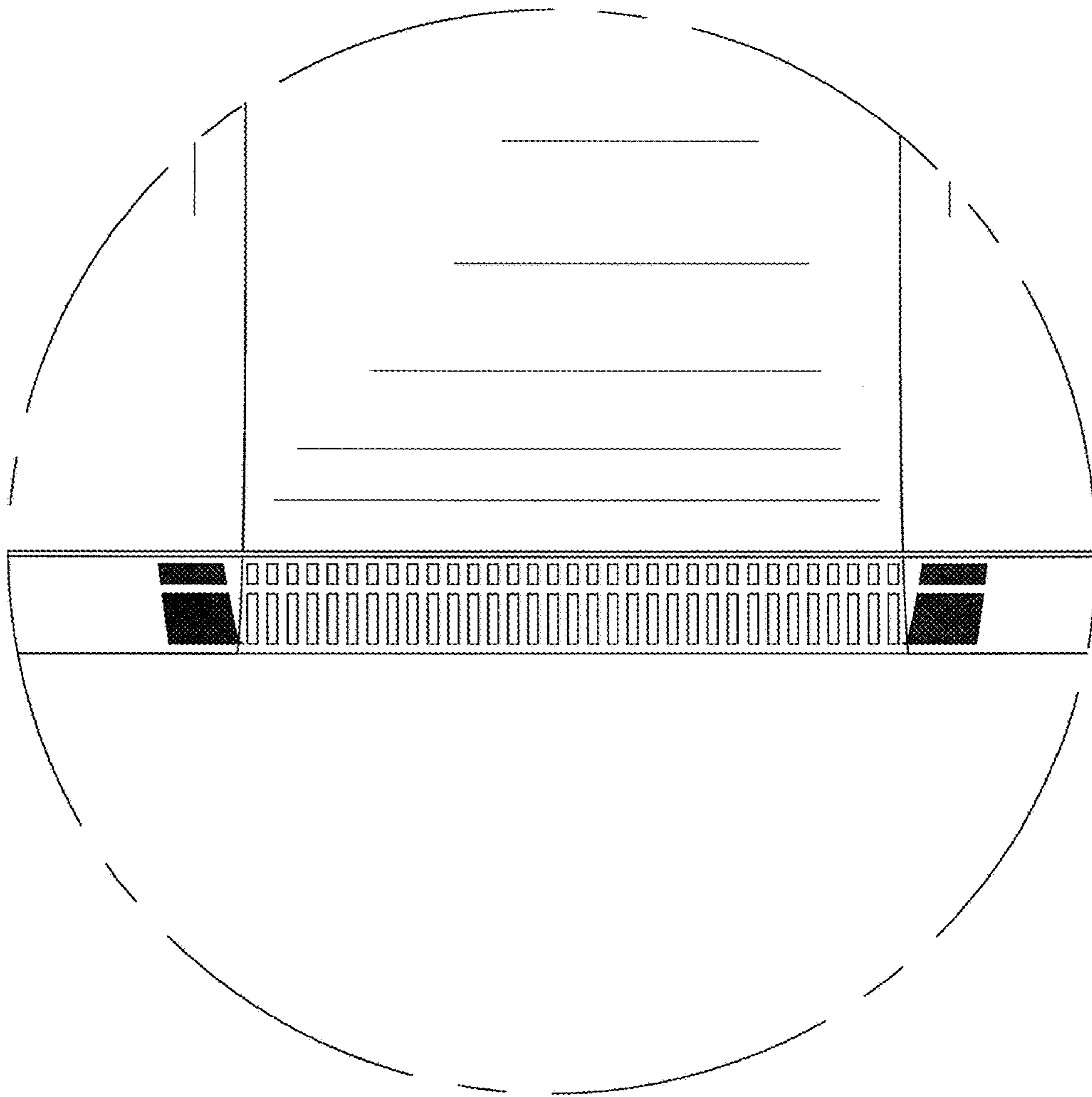


FIG. 12

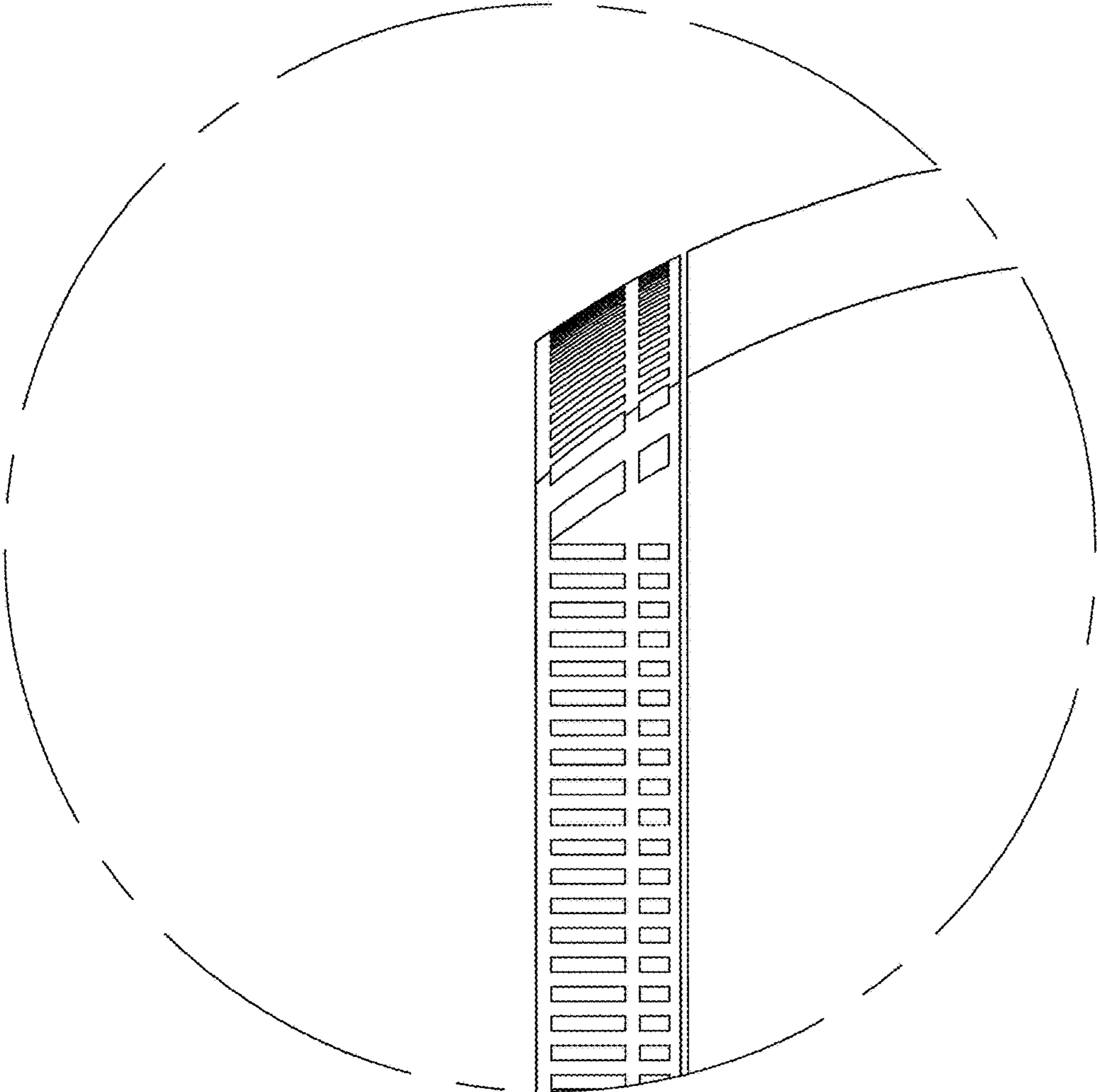


FIG. 13