



US00D834489S

(12) **United States Design Patent**
Sempek

(10) **Patent No.:** **US D834,489 S**

(45) **Date of Patent:** **** Nov. 27, 2018**

(54) **WHEEL RIM**

(71) Applicant: **Allied Wheel Components**, Garden Grove, CA (US)

(72) Inventor: **Christopher Sean Sempek**, Long Beach, CA (US)

(73) Assignee: **ALLIED WHEEL COMPONENTS**, Garden Grove, CA (US)

(**) Term: **15 Years**

(21) Appl. No.: **29/584,470**

(22) Filed: **Nov. 15, 2016**

(51) **LOC (11) Cl.** **12-16**

(52) **U.S. Cl.**
USPC **D12/211**

(58) **Field of Classification Search**
USPC D12/204–213
CPC B60B 7/00; B60B 7/02; B60B 7/04; B60B 7/01; B60B 7/06; B60B 3/02; B60B 3/04; B60B 3/06; B60B 3/10; B60B 1/00; B60B 1/08; B60B 1/10; B60B 1/12
See application file for complete search history.

(56) **References Cited**

U.S. PATENT DOCUMENTS

D460,942 S	*	7/2002	Lee	D12/211
D639,222 S		6/2011	Johnson		
D654,007 S	*	2/2012	Nissl	D12/211
D689,004 S	*	9/2013	Jallad	D12/211
D695,193 S	*	12/2013	Kong	D12/211

D695,197 S	*	12/2013	Jallad	D12/211
D702,172 S	*	4/2014	Chung	D12/211
D714,207 S	*	9/2014	Kim	D12/211
D717,224 S	*	11/2014	Kim	D12/211
D722,548 S	*	2/2015	Chung	D12/211
D765,005 S	*	8/2016	Garbas	D12/211
D780,659 S	*	3/2017	Liffick	D12/211
D792,315 S	*	7/2017	Mielke	D12/211
D793,942 S	*	8/2017	Factor	D12/211

OTHER PUBLICATIONS

Raceline Wheels catalog, vol. 26, Mar. 23, 2016.
Raceline Wheels catalog, vol. 22., Dec. 2, 2015.

* cited by examiner

Primary Examiner — Stacia A Cadmus

(74) *Attorney, Agent, or Firm* — Fish IP Law, LLP

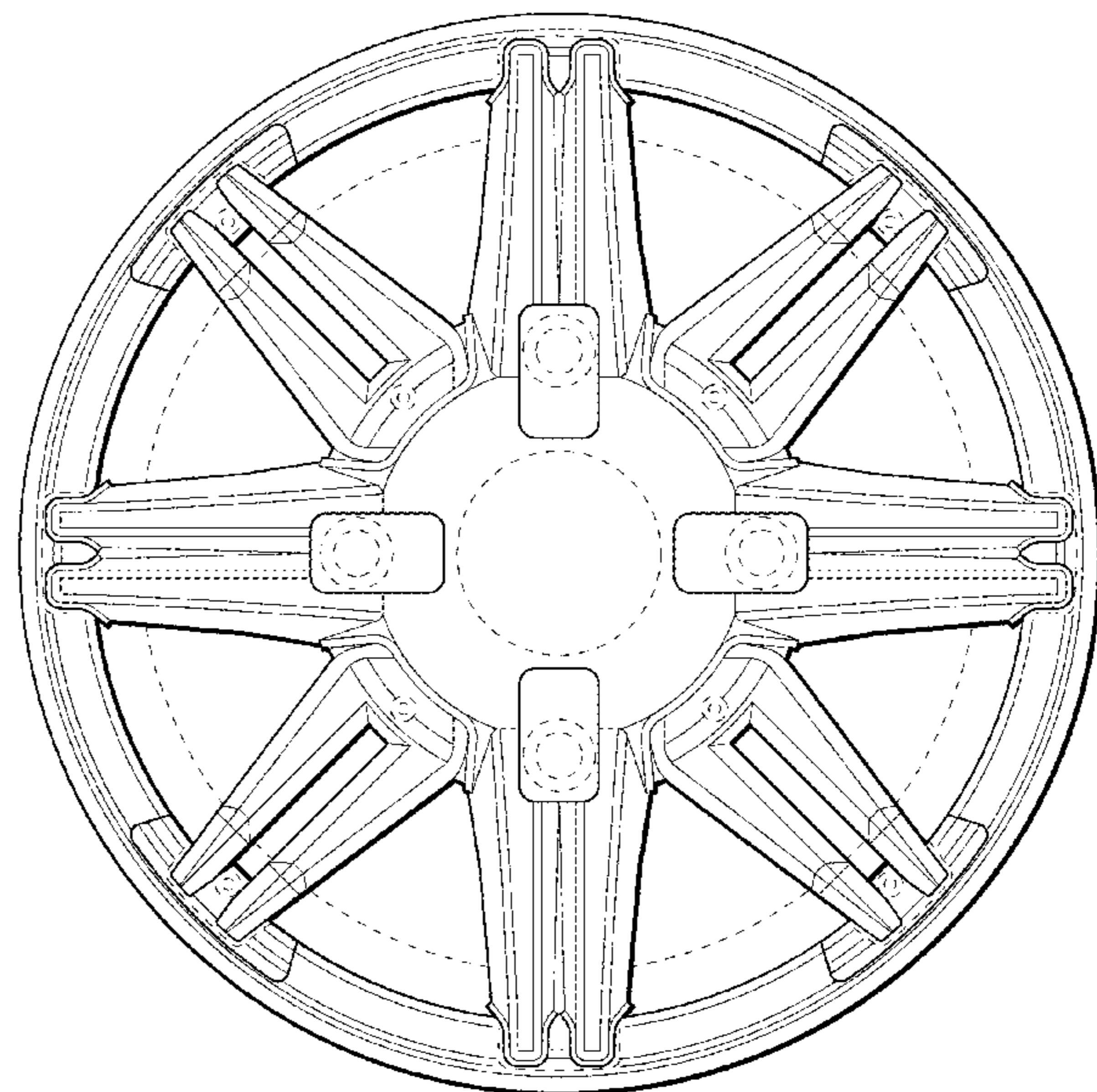
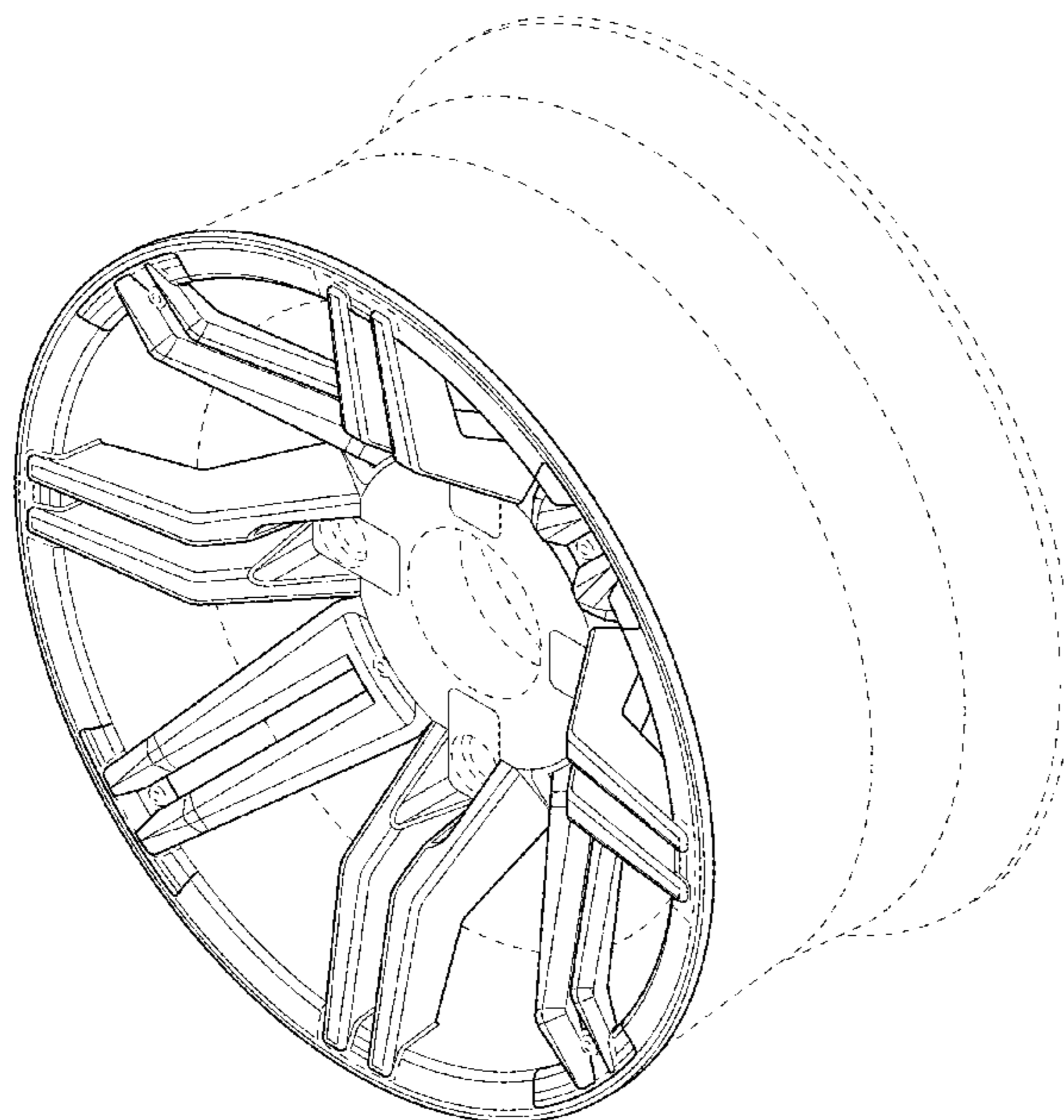
(57) **CLAIM**

The ornamental design for a wheel rim, as shown and described.

DESCRIPTION

FIG. 1 is a top, front, right side perspective view of a wheel rim of the new design; and, FIG. 2 is a front elevation view thereof. The broken line showing of the rear portion of the wheel rim in FIG. 1 is included for the purpose of illustrating environment and forms no part of the claimed design.

1 Claim, 2 Drawing Sheets



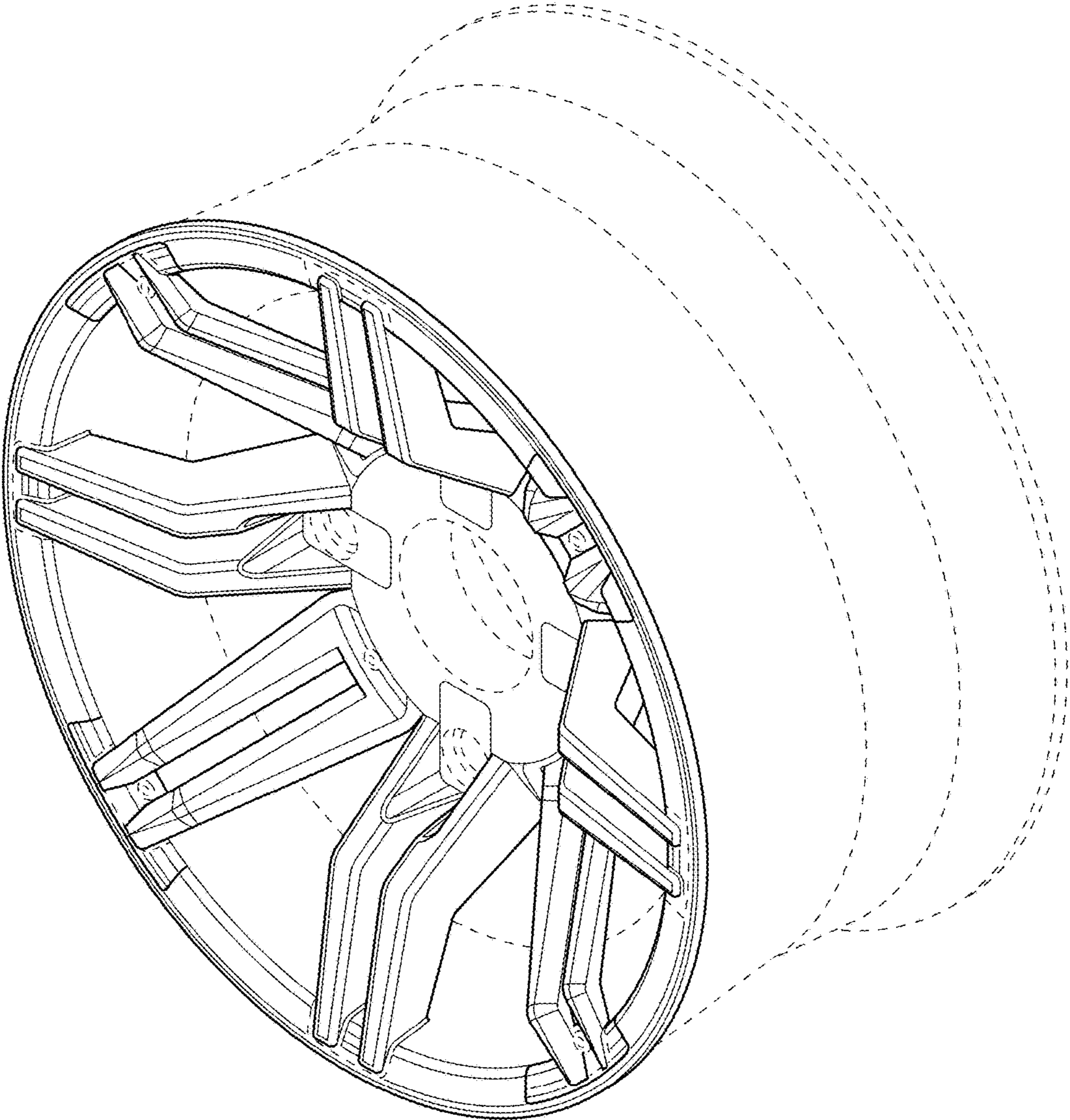


FIG. 1

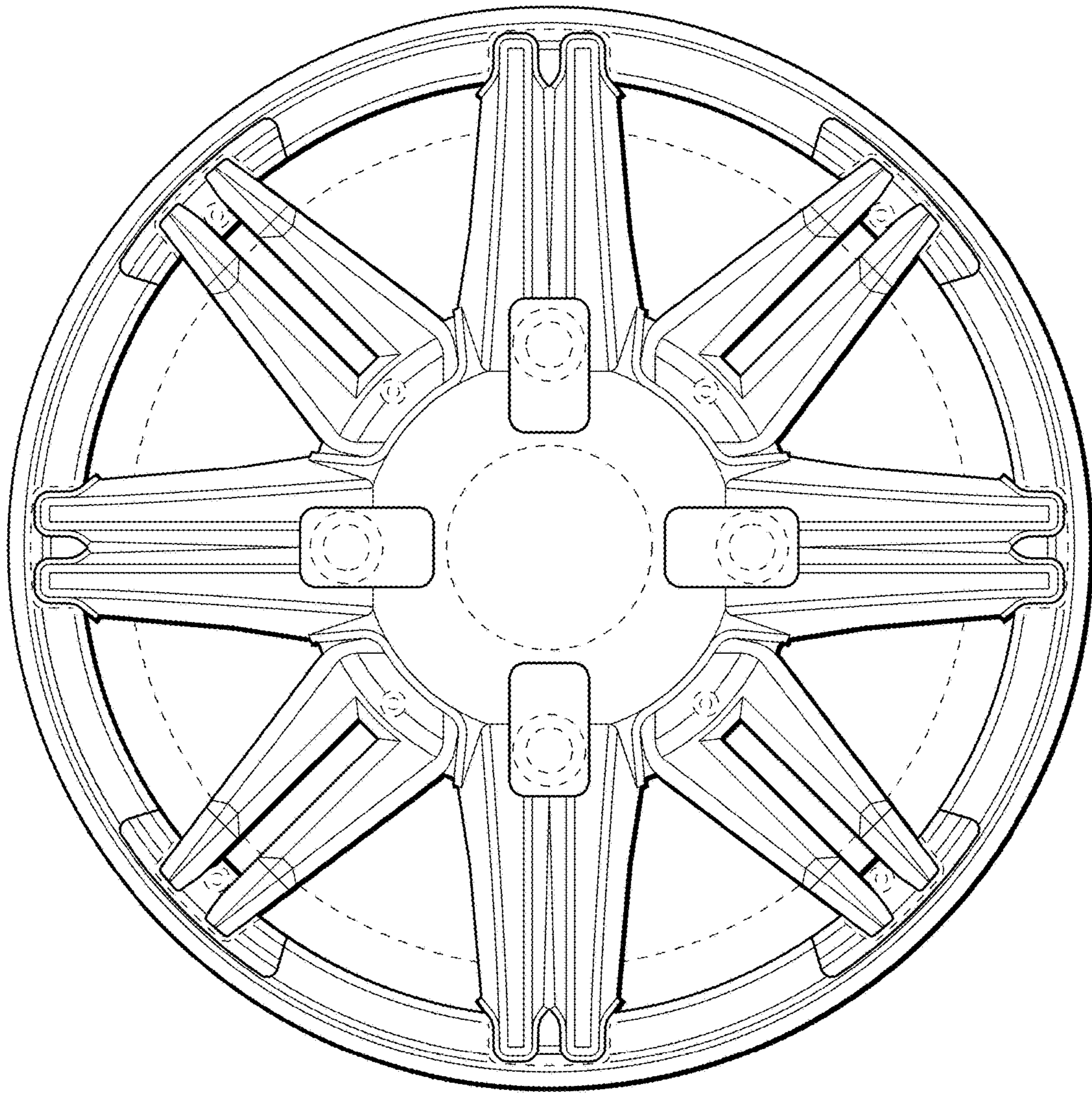


FIG. 2