



US00D834488S

(12) **United States Design Patent**
Smith

(10) **Patent No.:** **US D834,488 S**

(45) **Date of Patent:** **** Nov. 27, 2018**

(54) **WHEEL**

(71) Applicant: **Jaguar Land Rover Limited**, Whitley,
Coventry (GB)

(72) Inventor: **Luke Smith**, Coventry (GB)

(73) Assignee: **Jaguar Land Rover Limited**, Whitley,
Coventry (GB)

(**) Term: **15 Years**

(21) Appl. No.: **29/636,077**

(22) Filed: **Feb. 6, 2018**

Related U.S. Application Data

(62) Division of application No. 29/550,524, filed on Jan.
5, 2016, now Pat. No. Des. 815,004.

Foreign Application Priority Data

Jul. 15, 2015 (EM) 002737072

(51) **LOC (11) Cl.** **12-16**

(52) **U.S. Cl.**

USPC **D12/209**

(58) **Field of Classification Search**

USPC D12/204–213

CPC B60B 7/00; B60B 7/02; B60B 7/04; B60B
7/01; B60B 7/06; B60B 3/02; B60B 3/04;
B60B 3/06; B60B 3/10; B60B 1/00;
B60B 1/08; B60B 1/10; B60B 1/12

See application file for complete search history.

(56) **References Cited**

U.S. PATENT DOCUMENTS

D460,037 S *	7/2002	Takechi	D12/211
D522,949 S *	6/2006	Elmitt	D12/211
D645,391 S *	9/2011	Weil	D12/209
D651,956 S *	1/2012	Ectors	D12/209
D666,952 S *	9/2012	Pollmann	D12/209
D697,007 S *	1/2014	Pollmann	D12/209
D744,398 S *	12/2015	Nissl	D12/209
D746,755 S *	1/2016	Mielke	D12/211
D747,248 S *	1/2016	Amezqueta	D12/209
D748,033 S *	1/2016	Carter	D12/211
D753,572 S *	4/2016	Juergens	D12/211
D767,464 S *	9/2016	Juergens	D12/209
D768,046 S *	10/2016	Patel	D12/211
D815,004 S *	4/2018	Smith	D12/209

* cited by examiner

Primary Examiner — Stacia A Cadmus

(74) *Attorney, Agent, or Firm* — Wood Herron & Evans
LLP

CLAIM

(57) The ornamental design for a wheel, as shown and described.

DESCRIPTION

FIG. 1 is a front left perspective view of a wheel according
to the present invention.

FIG. 2 is a front right perspective view of the wheel shown
in FIG. 1.

FIG. 3 is a front view thereof.

FIG. 4 is a left side view thereof, the right side view being
a mirror image thereof.

FIG. 5 is a rear view thereof; and,

FIG. 6 is a rear left perspective view thereof.

1 Claim, 4 Drawing Sheets

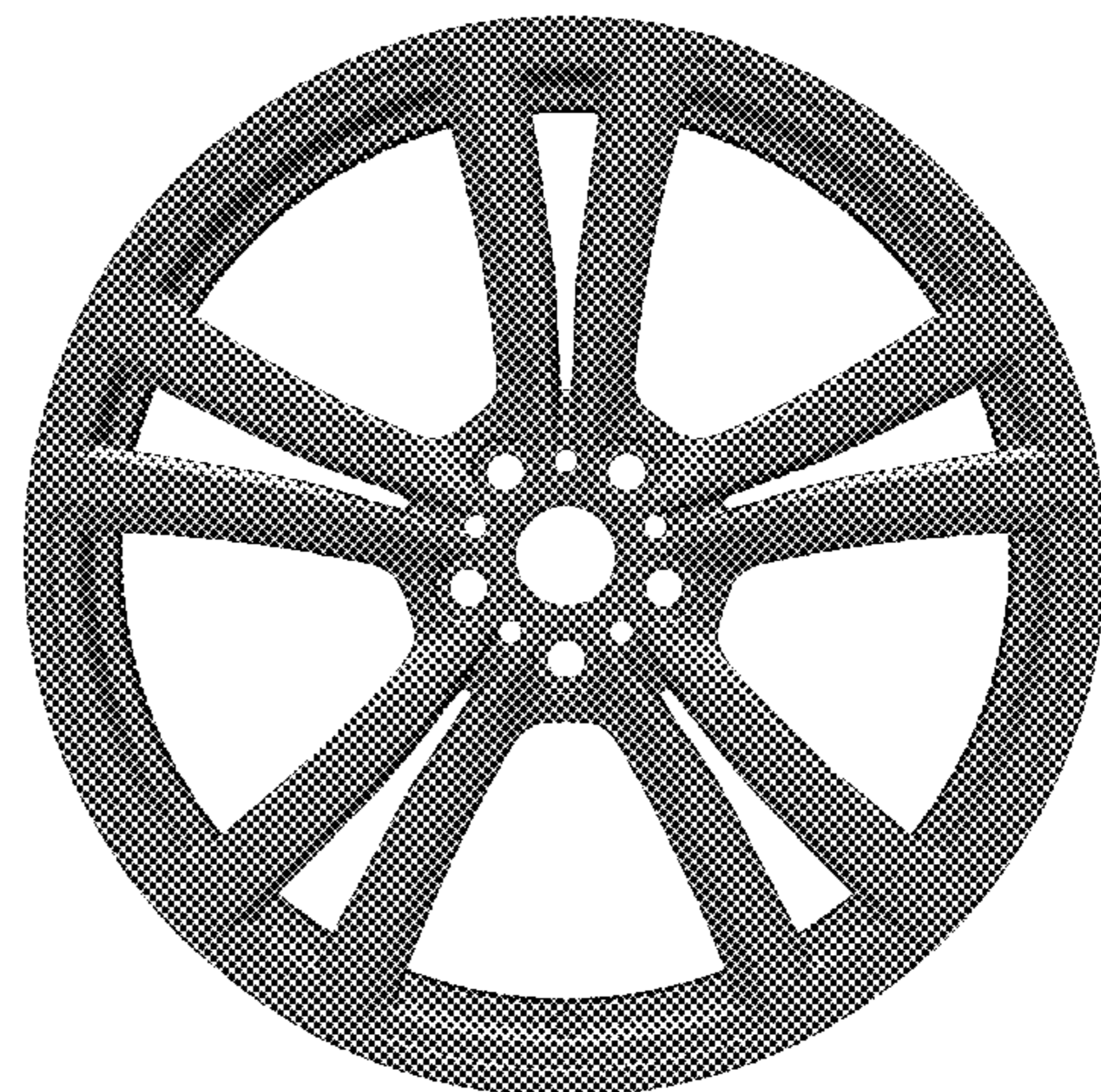
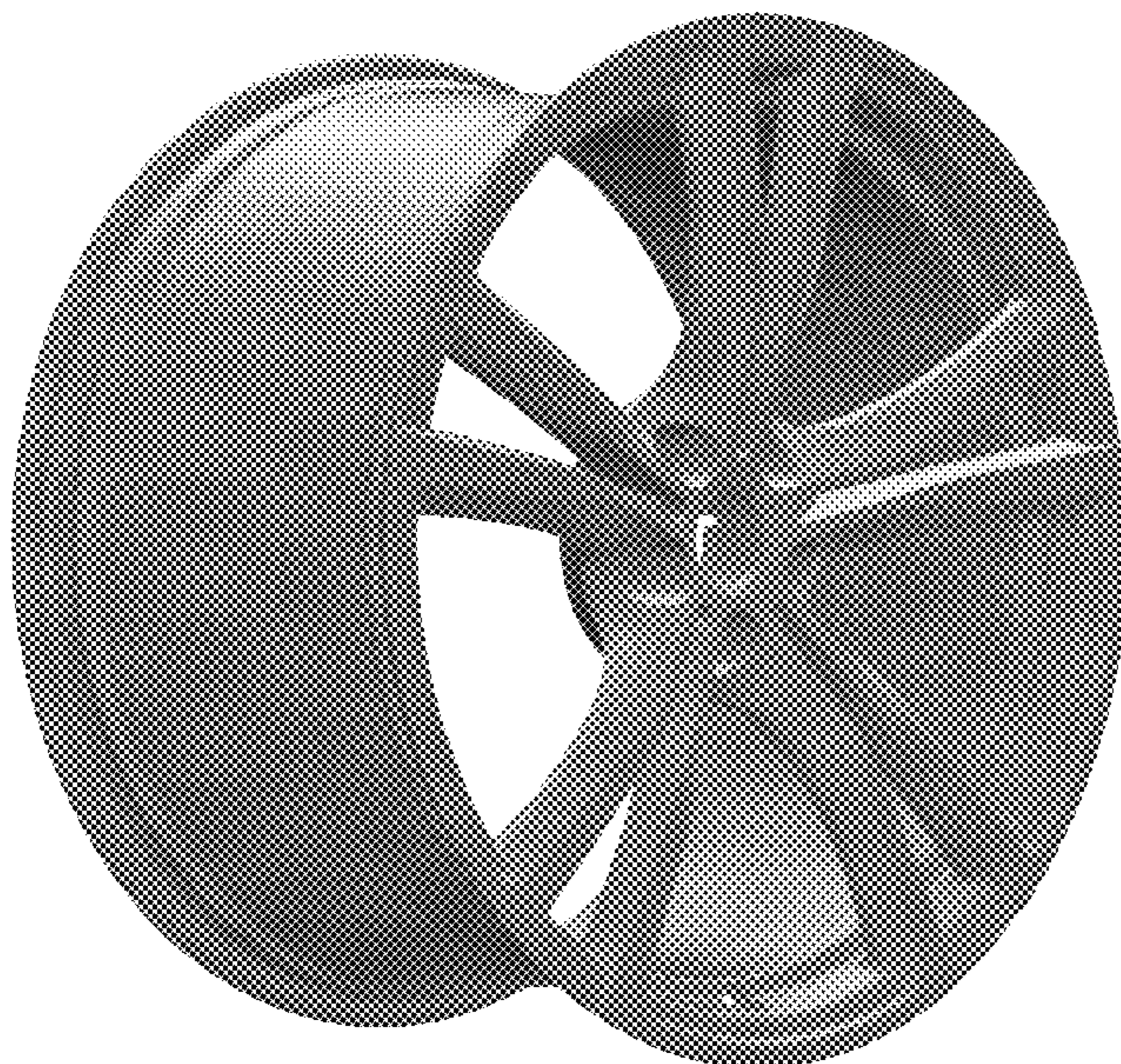




FIG. 1



FIG. 2



FIG. 3

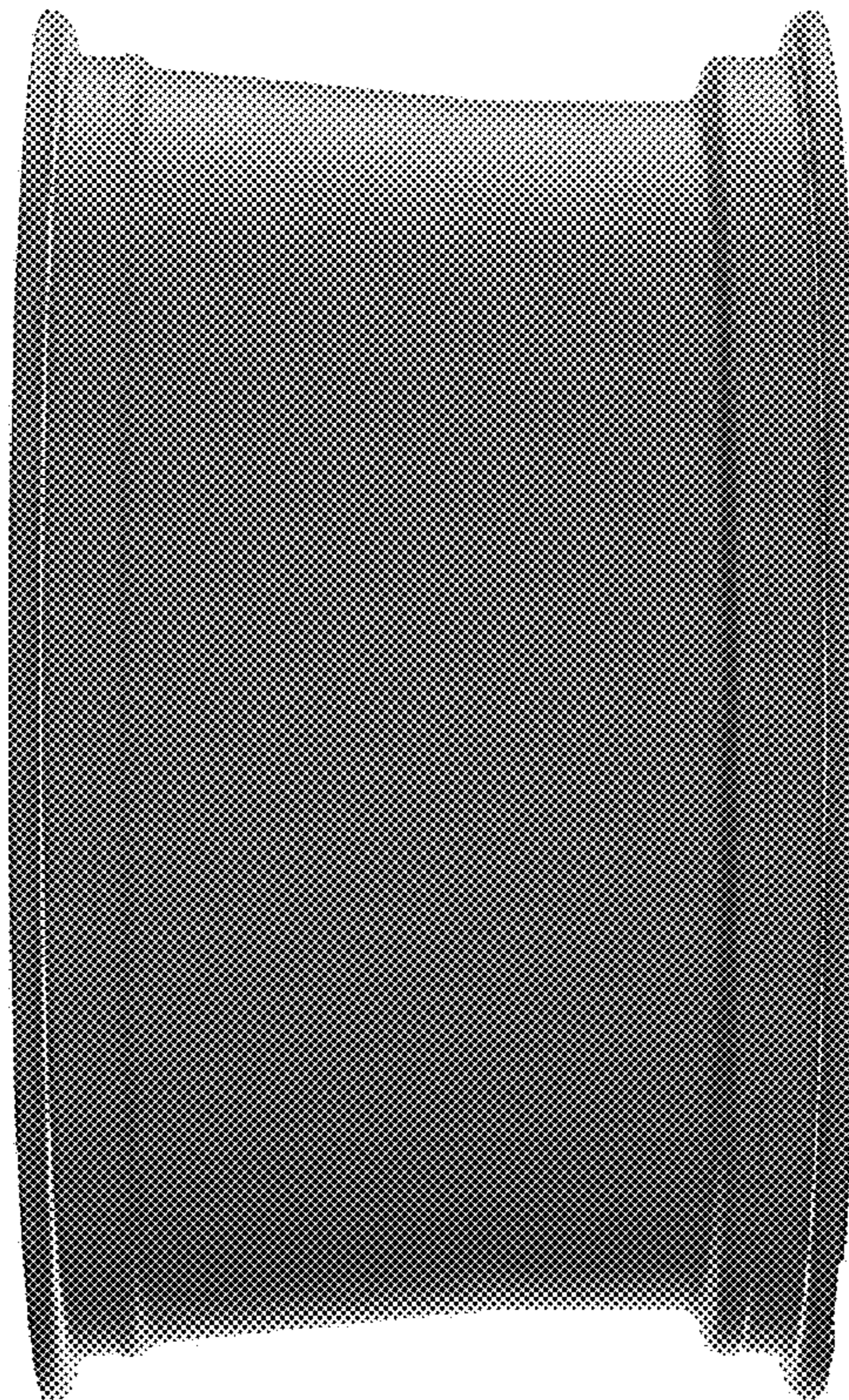


FIG. 4

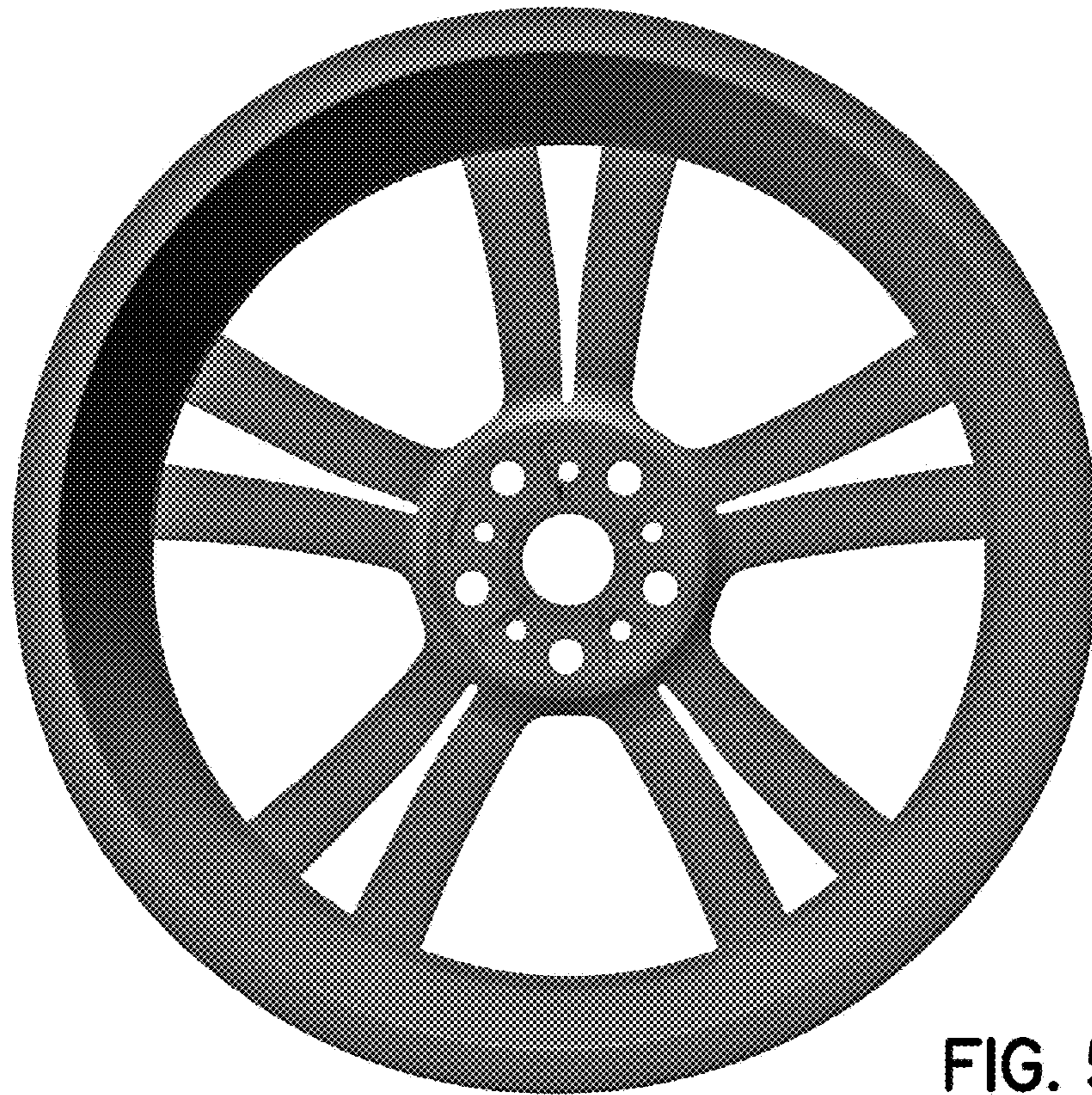


FIG. 5



FIG. 6