



US00D834487S

(12) **United States Design Patent**
Han

(10) **Patent No.:** **US D834,487 S**

(45) **Date of Patent:** **** Nov. 27, 2018**

(54) **AUTOMOTIVE WHEEL**

(71) Applicant: **Donnie Han**, Corona, CA (US)

(72) Inventor: **Donnie Han**, Corona, CA (US)

(**) Term: **15 Years**

(21) Appl. No.: **29/627,409**

(22) Filed: **Nov. 27, 2017**

(51) **LOC (11) Cl.** **12-16**

(52) **U.S. Cl.**

USPC **D12/209**

(58) **Field of Classification Search**

USPC D12/204–213

CPC B60B 7/00; B60B 7/02; B60B 7/04; B60B

7/01; B60B 7/06; B60B 3/04; B60B 1/00;

B60B 3/10; B60B 1/10; B60B 1/08;

B60B 3/06; B60B 1/12; B60B 3/02

See application file for complete search history.

(56) **References Cited**

U.S. PATENT DOCUMENTS

D502,438 S * 3/2005 Weld D12/211

D711,304 S * 8/2014 Chung D12/209

D714,706 S * 10/2014 Chung D12/211

D793,318 S * 8/2017 Guo D12/209

D800,628 S * 10/2017 Tran D12/209

D800,630 S * 10/2017 Tran D12/209

D822,575 S * 7/2018 Chung D12/209

D824,314 S * 7/2018 Chung D12/209

D829,152 S * 9/2018 Caldwell D12/209

* cited by examiner

Primary Examiner — Stacia A Cadmus

(57) **CLAIM**

The ornamental design for an automotive wheel, as shown and described.

DESCRIPTION

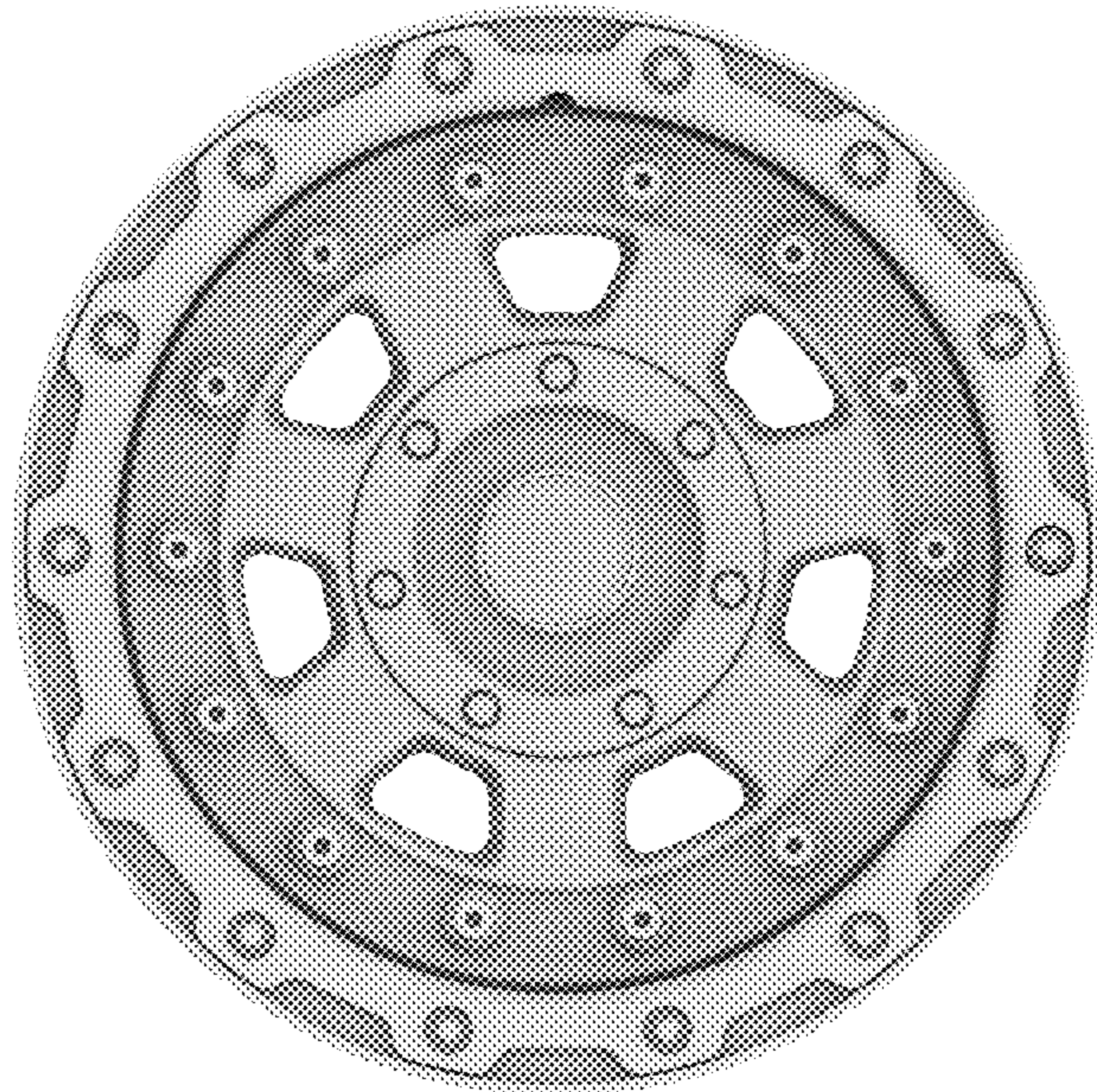
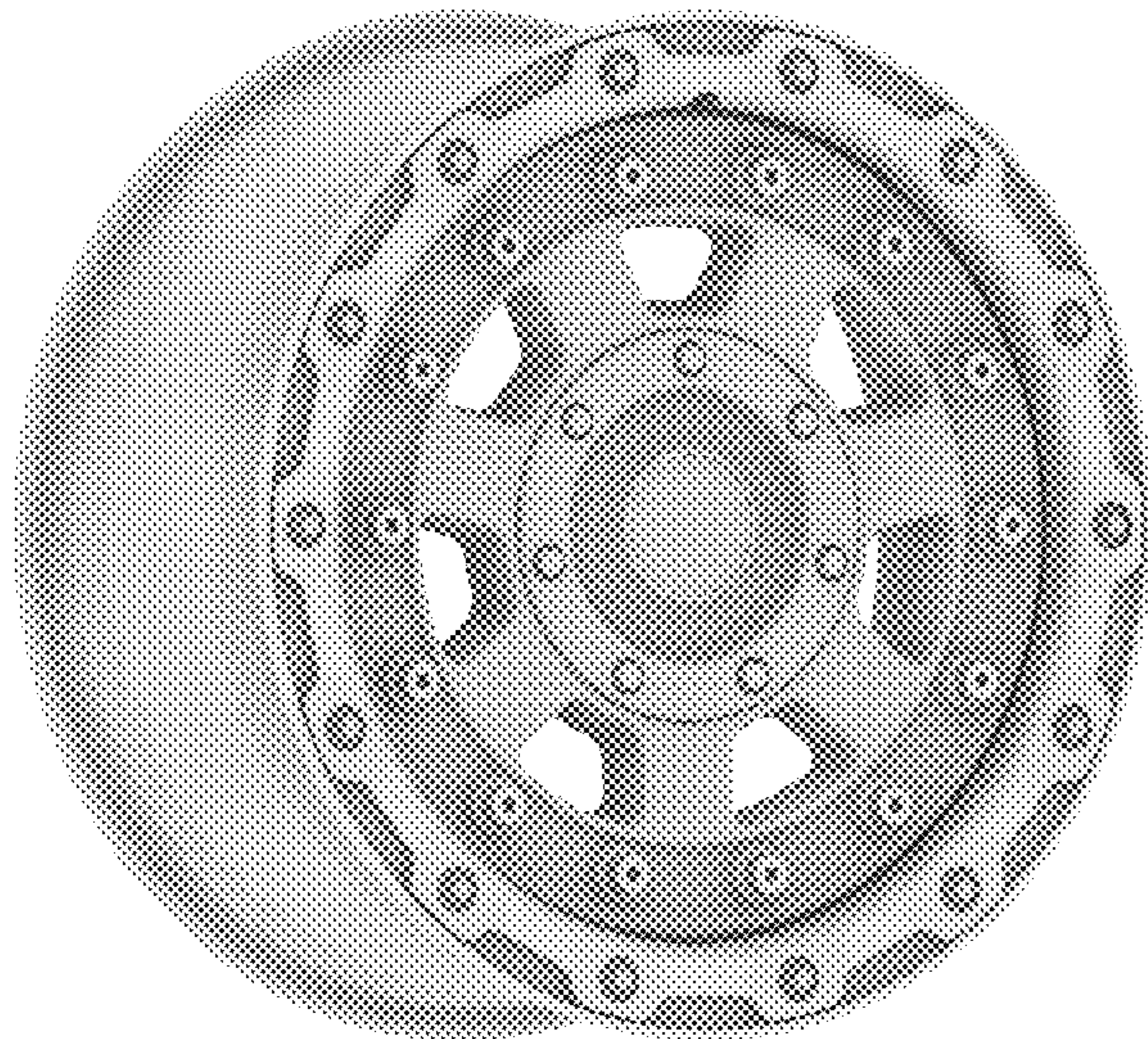
FIG. 1 is a perspective view of an automotive wheel, showing my new design;

FIG. 2 is a front view thereof;

FIG. 3 is a perspective view of a second embodiment of an automotive view, showing my new design; and,

FIG. 4 is a front view of FIG. 3.

1 Claim, 4 Drawing Sheets



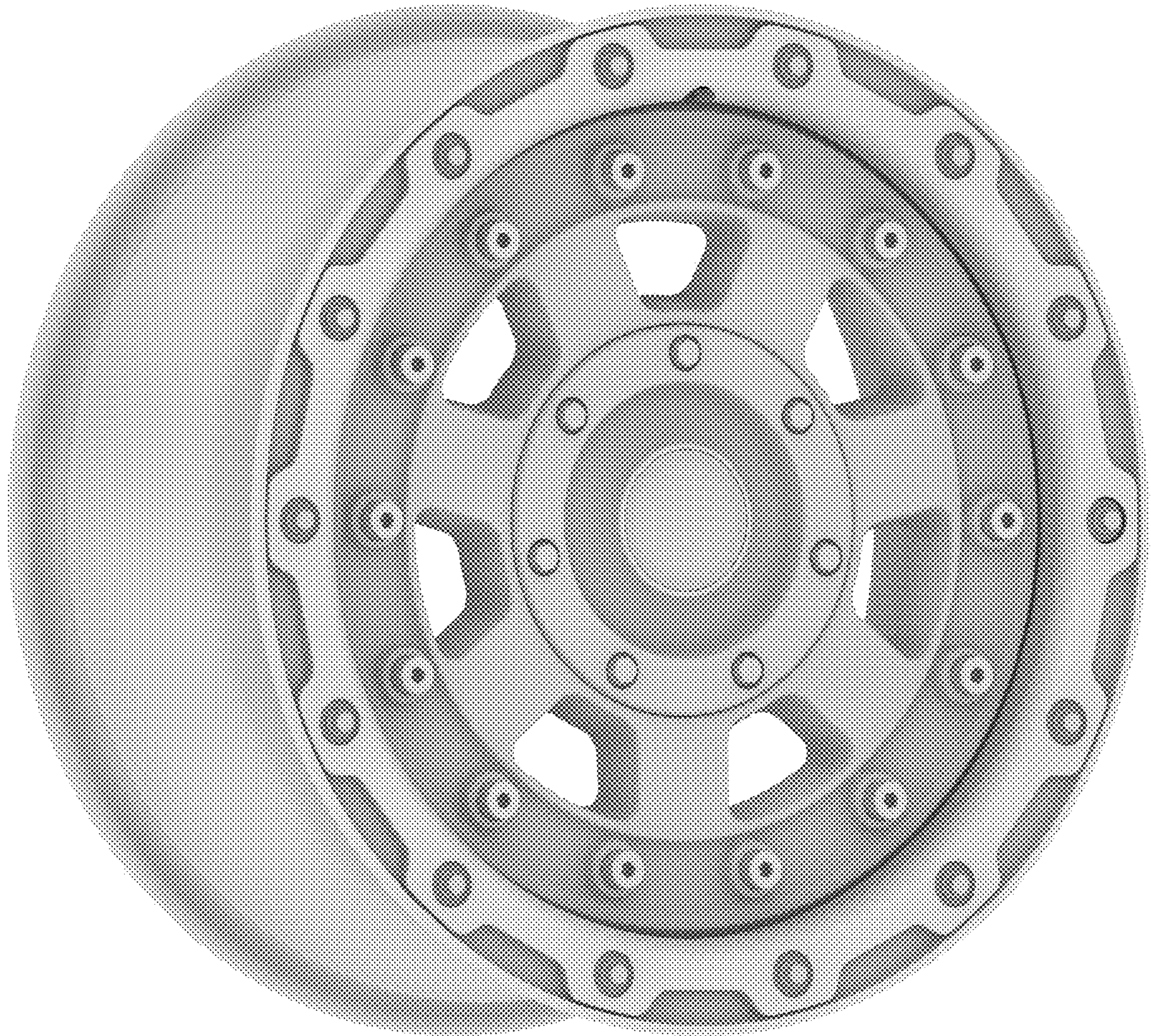


FIGURE 1

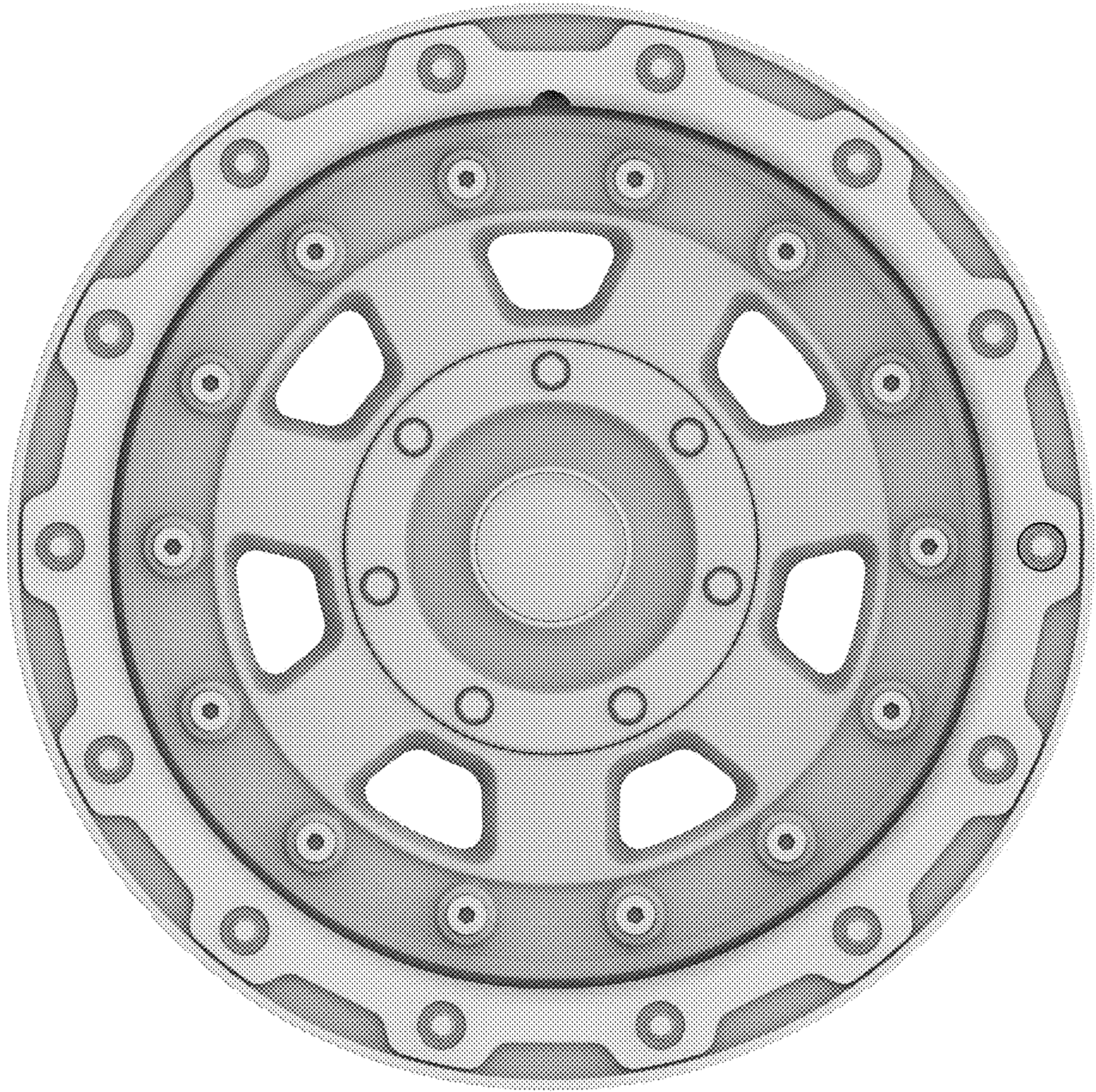


FIGURE 2

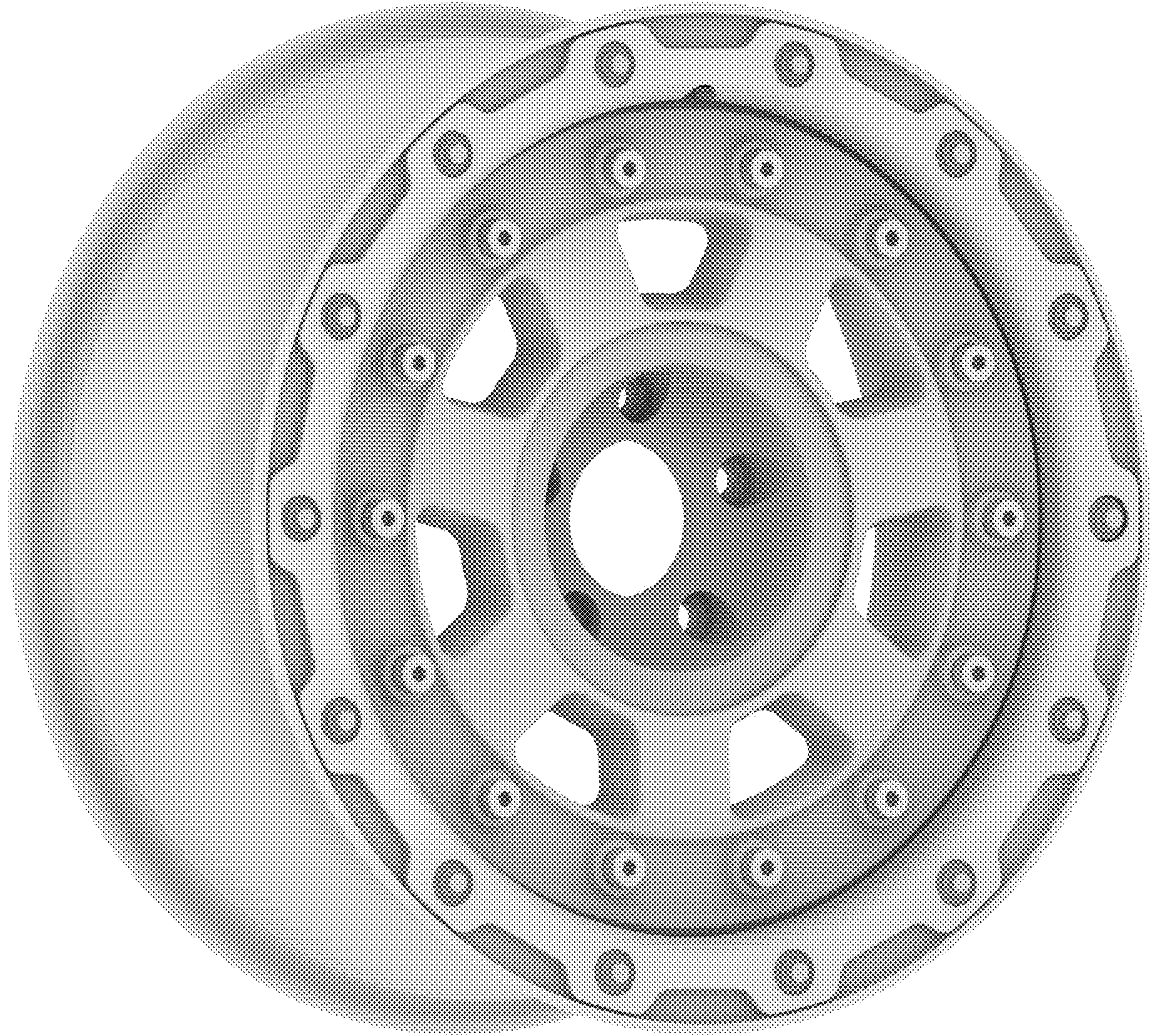


FIGURE 3

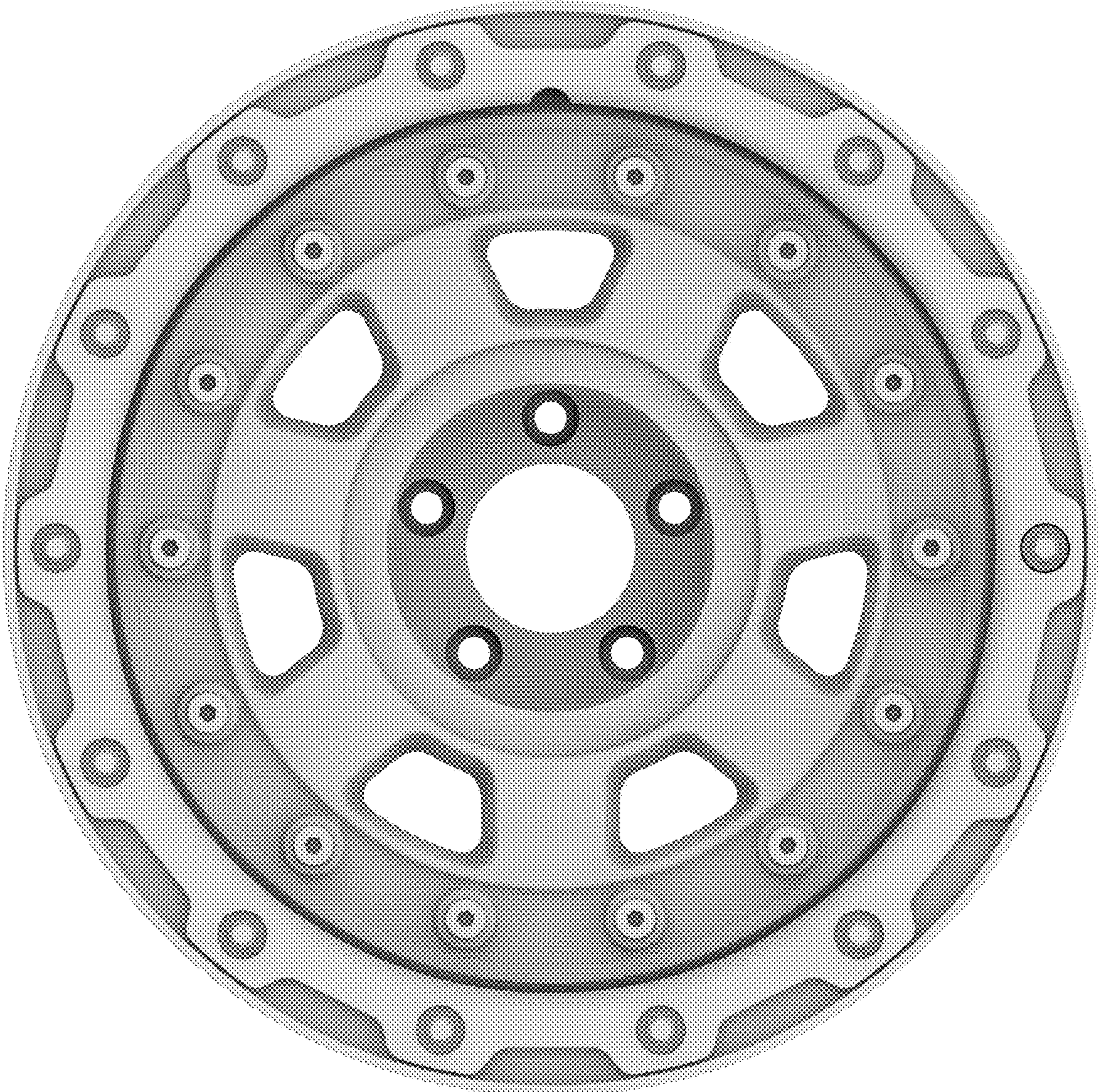


FIGURE 4