



US00D834485S

(12) **United States Design Patent**
Manzoni

(10) **Patent No.:** **US D834,485 S**

(45) **Date of Patent:** **** Nov. 27, 2018**

(54) **WHEEL RIM FOR A CAR**

(71) Applicant: **Ferrari S.p.A.**, Modena (IT)

(72) Inventor: **Flavio Manzoni**, Maranello (IT)

(73) Assignee: **Ferrari S.p.A.**, Modena (IT)

(**) Term: **15 Years**

(21) Appl. No.: **29/603,624**

(22) Filed: **May 11, 2017**

(30) **Foreign Application Priority Data**

Nov. 14, 2016 (EM) 003462902

(51) **LOC (11) Cl.** **12-16**

(52) **U.S. Cl.**
USPC **D12/209**

(58) **Field of Classification Search**

USPC D12/204–213; D21/533, 561, 563
CPC B60B 7/00; B60B 7/02; B60B 7/04; B60B
7/06; B60B 3/02; B60B 3/04; B60B 3/06;
B60B 3/10; B60B 1/00; B60B 1/08;
B60B 1/10; B60B 1/12
See application file for complete search history.

(56) **References Cited**

U.S. PATENT DOCUMENTS

D390,822 S * 2/1998 Nepper D12/209
D408,004 S * 4/1999 Cullen D12/209

D678,157 S * 3/2013 Perini D12/209
D695,669 S * 12/2013 Pollmann D12/209
D697,005 S * 1/2014 Juergens D12/209
D725,569 S * 3/2015 Komukai D12/209
D737,189 S * 8/2015 Claunch D12/209
D747,254 S * 1/2016 Liu D12/211
D752,496 S * 3/2016 Smith D12/209
D753,045 S * 4/2016 Kawaguchi D12/209
D775,044 S * 12/2016 Smith D12/209
D790,422 S * 6/2017 Hodges D12/209
D798,212 S * 9/2017 Chung D12/209
D813,138 S * 3/2018 Chung D12/211

* cited by examiner

Primary Examiner — Sheryl Lane

Assistant Examiner — Calvin E Vansant

(74) *Attorney, Agent, or Firm* — Cowan, Liebowitz & Latman, P.C.

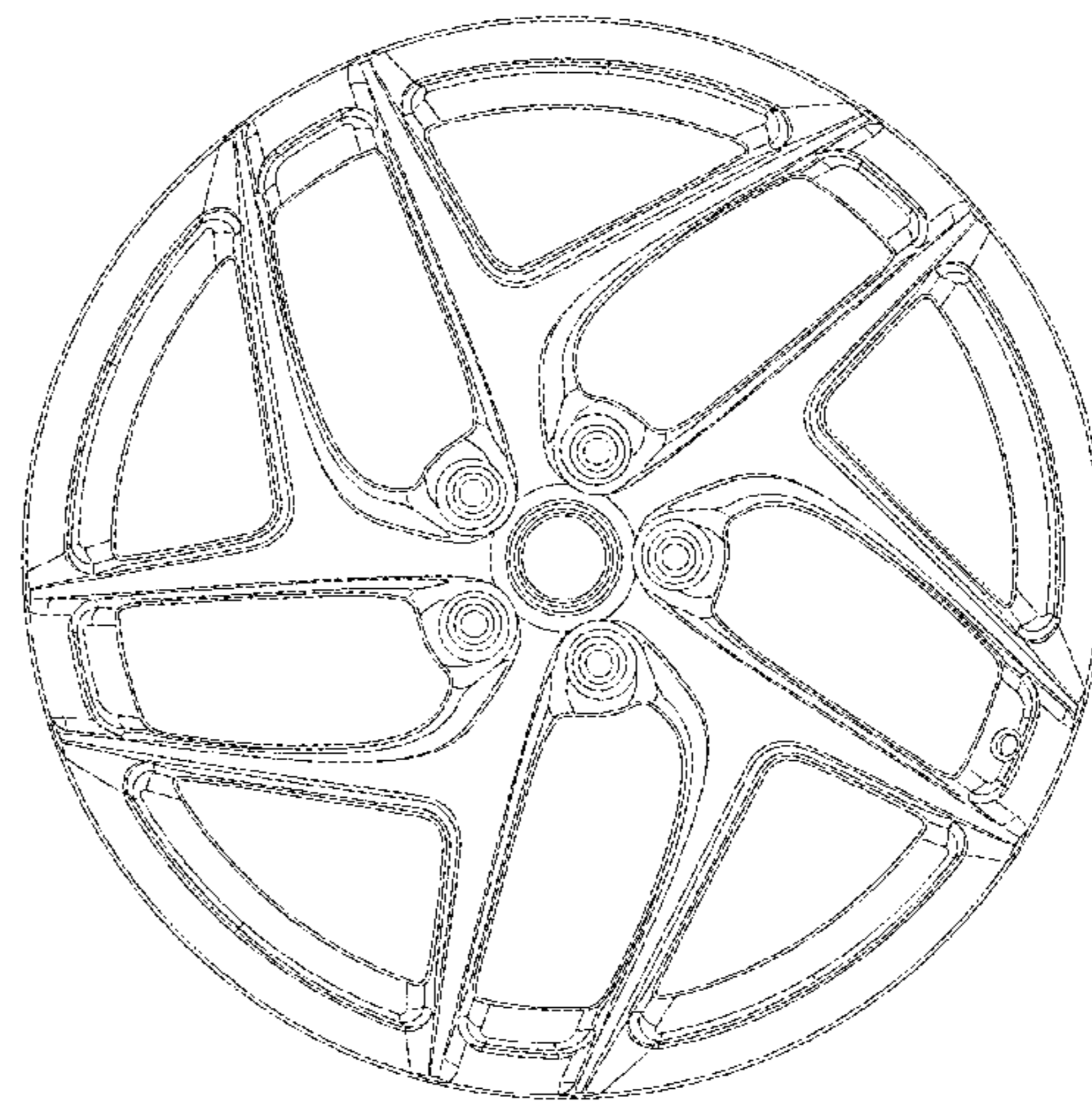
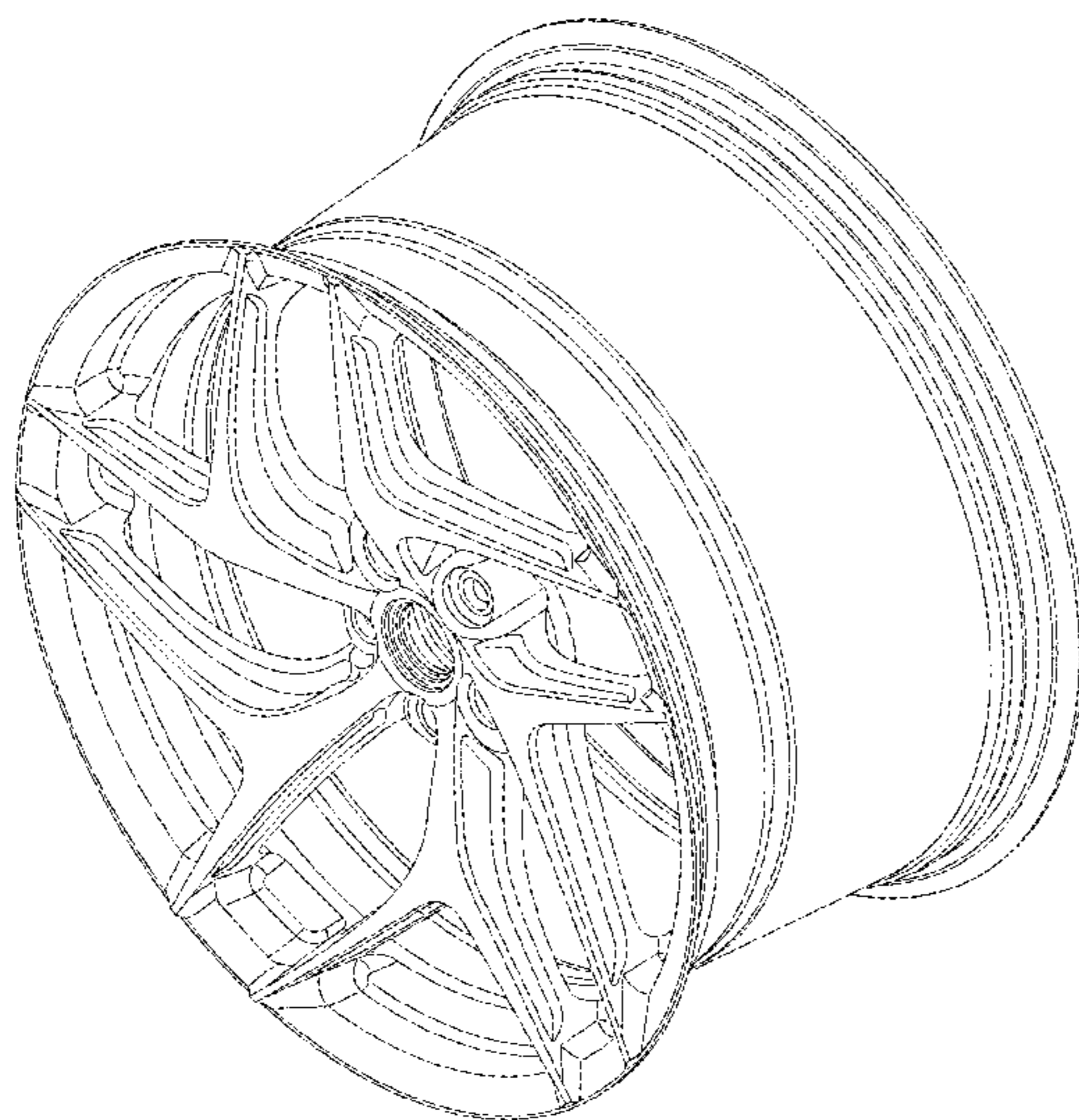
(57) **CLAIM**

The ornamental design for wheel rim for a car, as shown and described.

DESCRIPTION

FIG. 1 is a front perspective view of wheel rim for a car showing the present design;
FIG. 2 is a front view thereof;
FIG. 3 is a first lateral view thereof;
FIG. 4 is a second lateral view thereof;
FIG. 5 is a top plan view thereof; and,
FIG. 6 is a bottom view thereof.

1 Claim, 6 Drawing Sheets



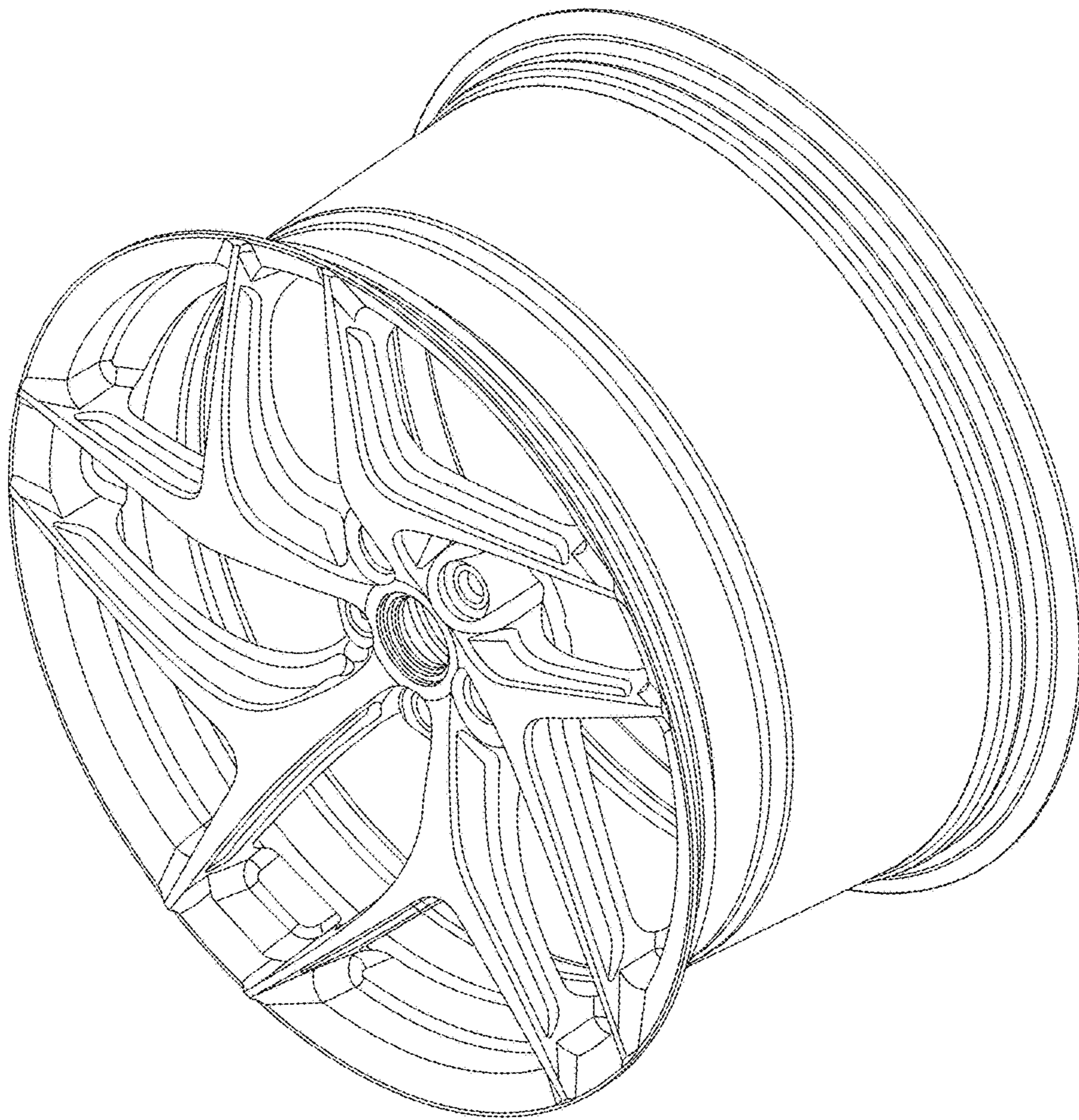


FIG. 1

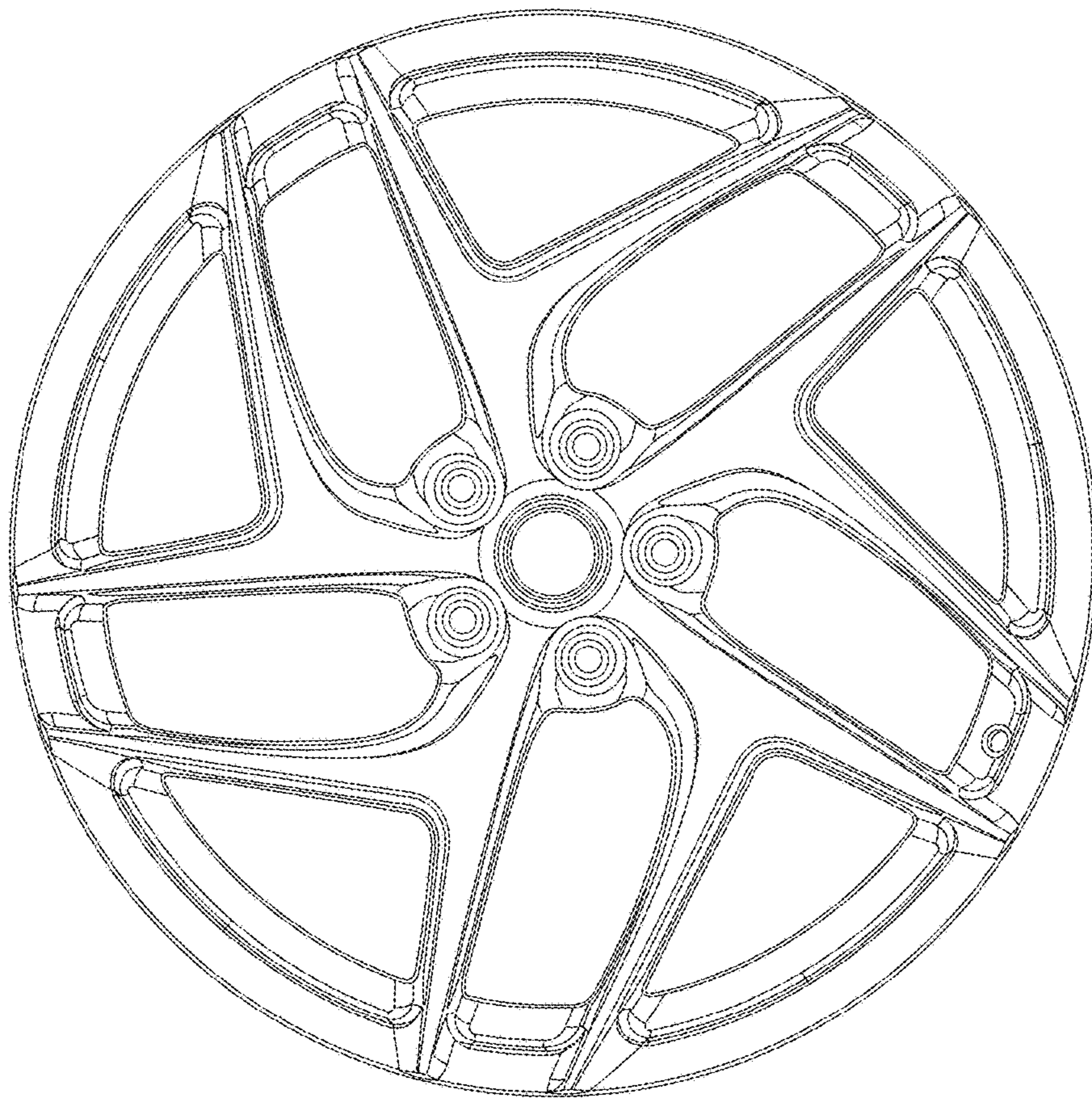


FIG. 2

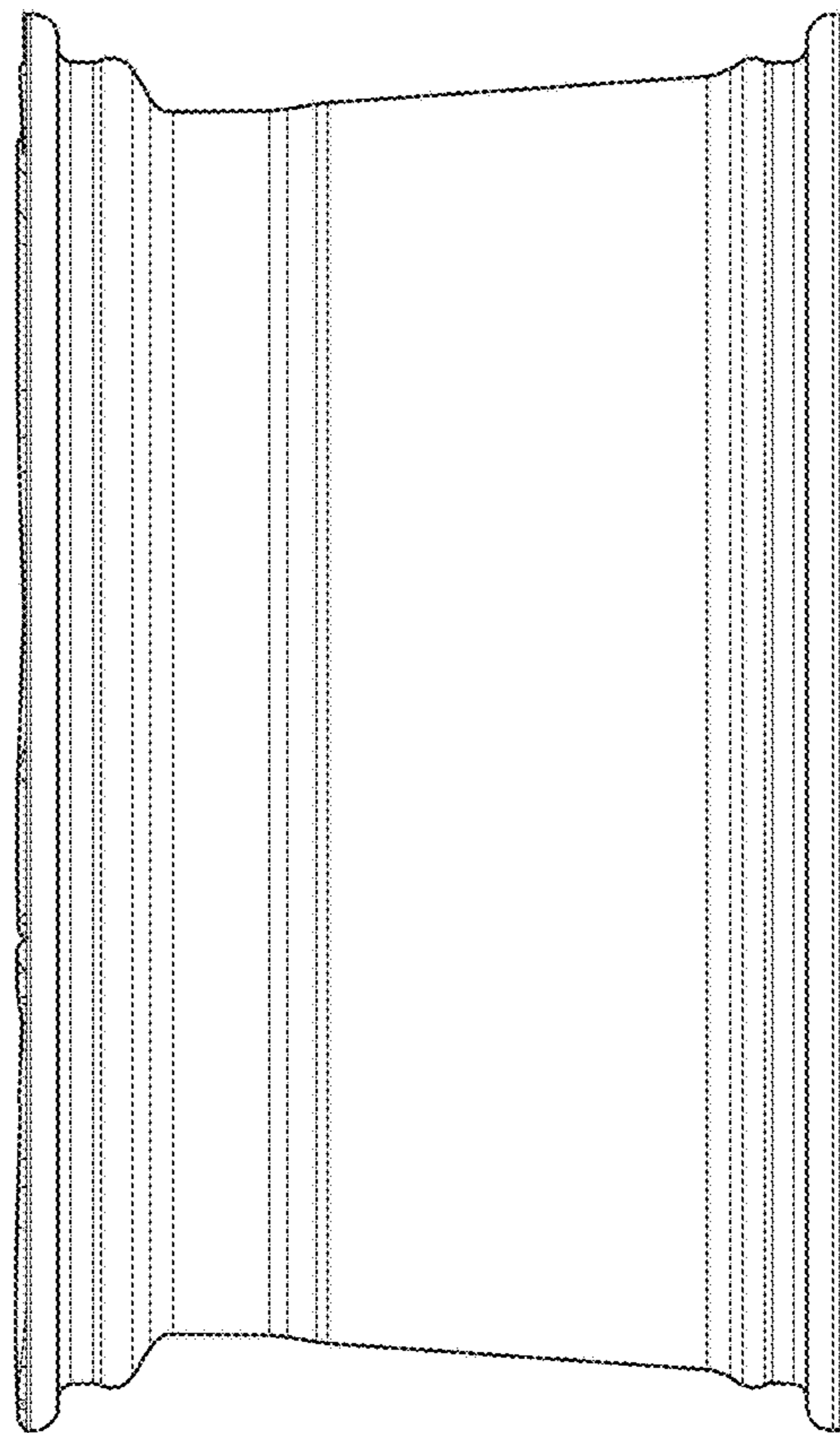


FIG. 3

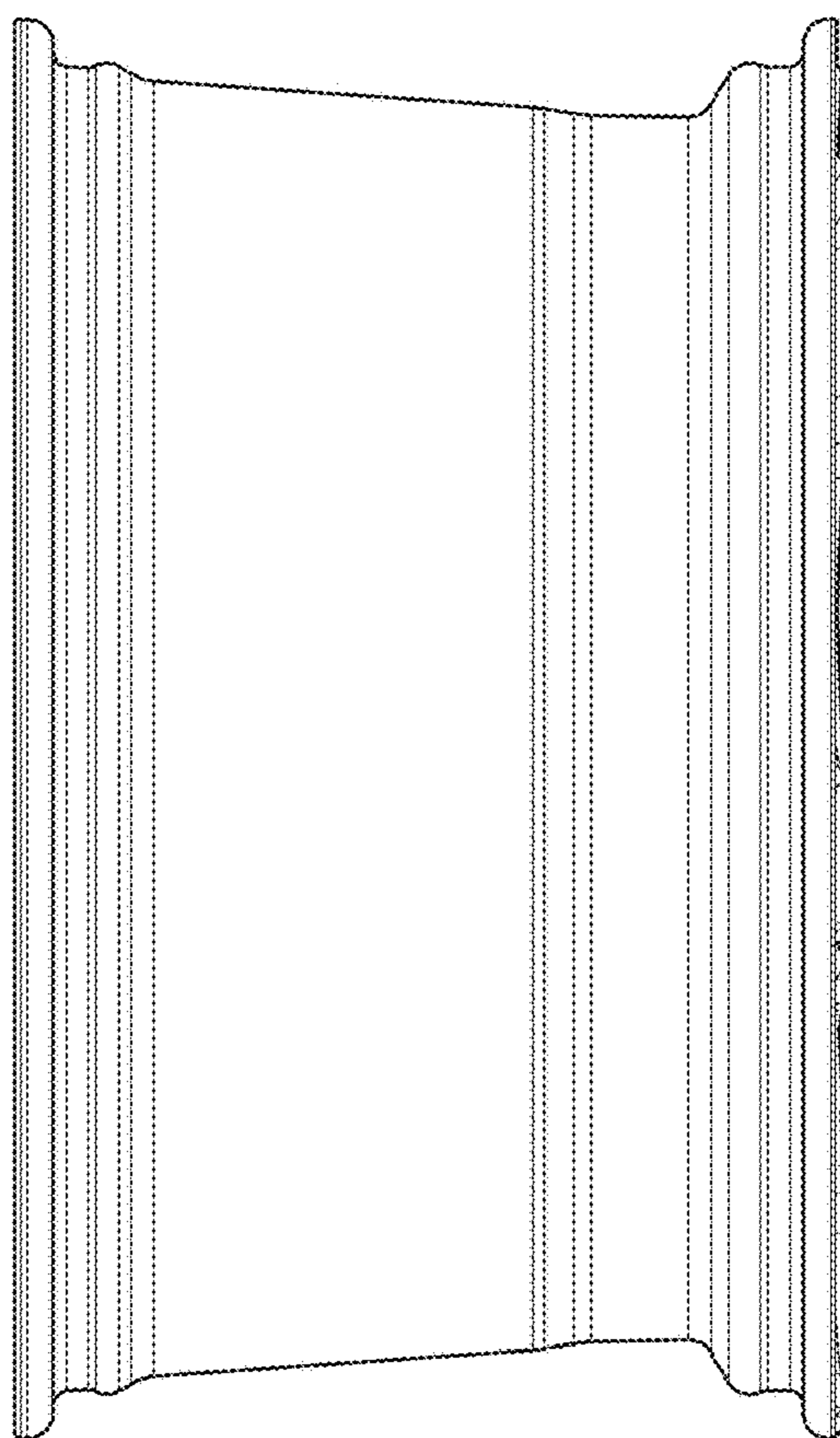


FIG. 4

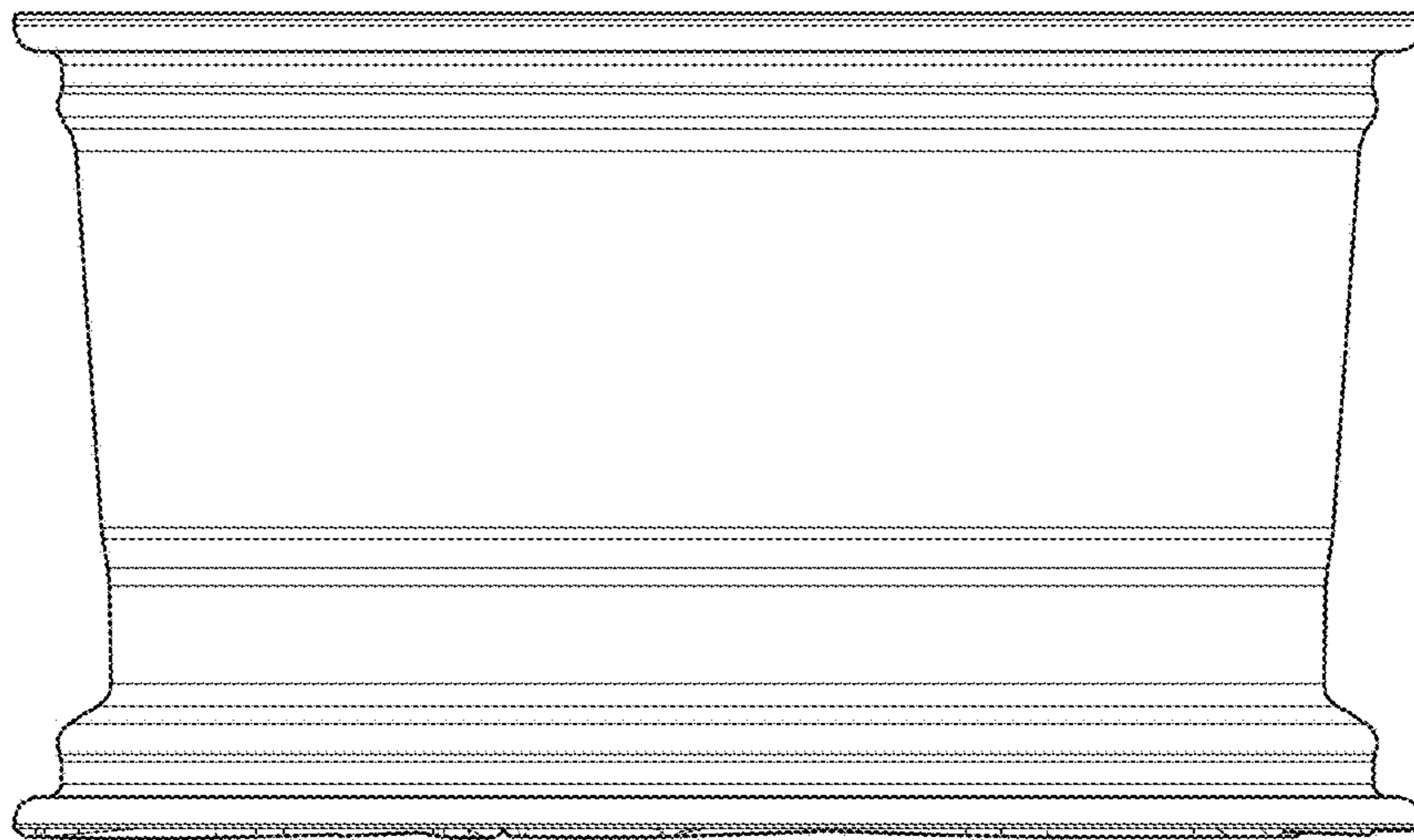


FIG. 5

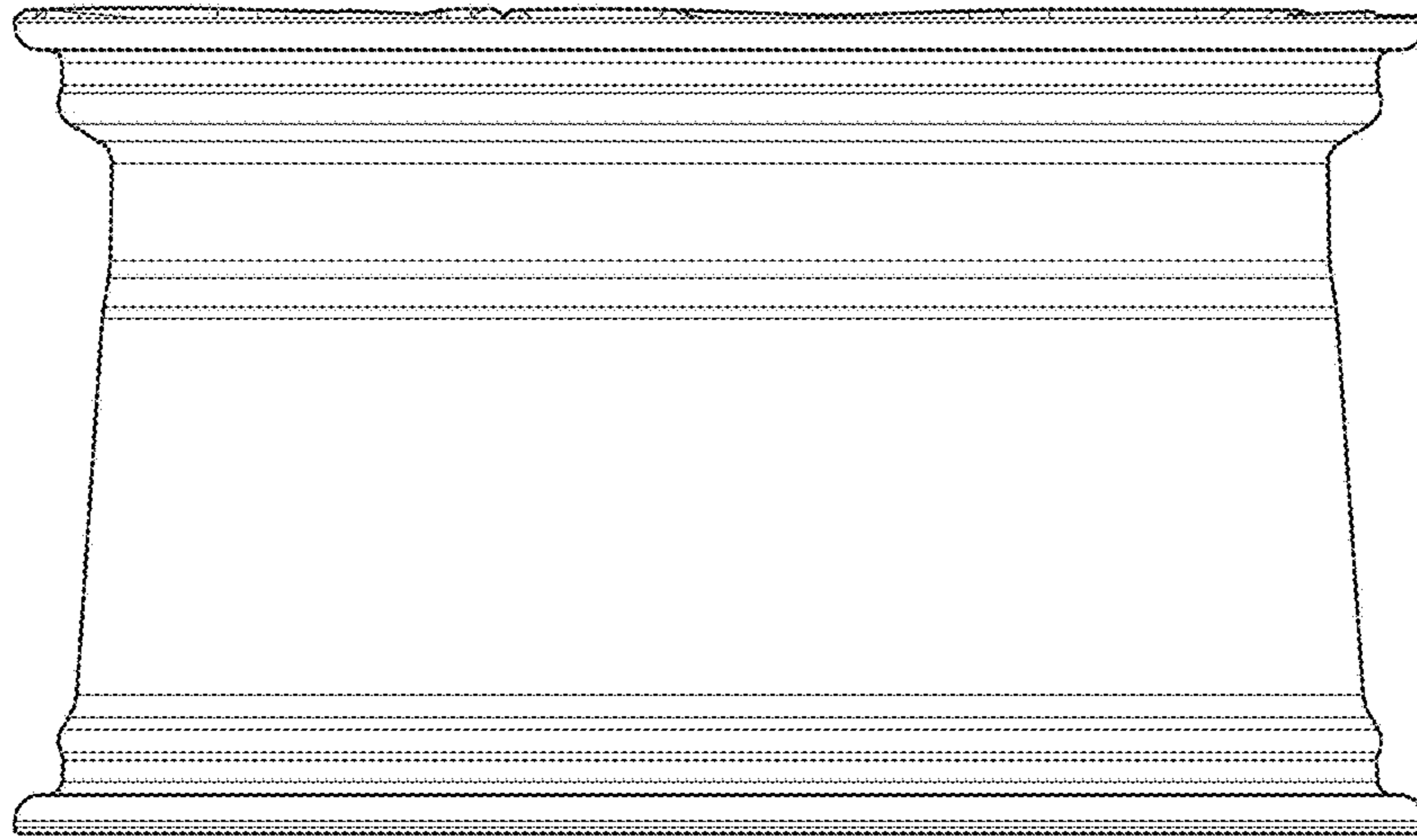


FIG. 6