



US00D834484S

(12) **United States Design Patent**
Sempek

(10) **Patent No.:** **US D834,484 S**

(45) **Date of Patent:** **** Nov. 27, 2018**

(54) **WHEEL RIM**

(71) Applicant: **Allied Wheel Components**, Garden Grove, CA (US)

(72) Inventor: **Christopher Sean Sempek**, Long Beach, CA (US)

(73) Assignee: **ALLIED WHEEL COMPONENTS**, Garden Grove, CA (US)

(**) Term: **15 Years**

(21) Appl. No.: **29/584,459**

(22) Filed: **Nov. 15, 2016**

(51) **LOC (11) Cl.** **12-16**

(52) **U.S. Cl.**
USPC **D12/209**

(58) **Field of Classification Search**
USPC D12/204–213
CPC B60B 7/00; B60B 7/02; B60B 7/04; B60B 7/01; B60B 7/06; B60B 3/02; B60B 3/04; B60B 3/06; B60B 3/10; B60B 1/00; B60B 1/08; B60B 1/10; B60B 1/12
See application file for complete search history.

(56) **References Cited**

U.S. PATENT DOCUMENTS

D339,099 S *	9/1993	Falck	D12/211
D392,239 S *	3/1998	Cullen	D12/211
D408,775 S *	4/1999	Shikado	D12/209
D450,288 S *	11/2001	Lee	D12/209
D528,491 S *	9/2006	Wang Hsiao	D12/204
D593,476 S *	6/2009	Juergens	D12/211
D617,249 S *	6/2010	Juergens	D12/211

D620,871 S *	8/2010	Juergens	D12/211
D622,197 S *	8/2010	Zhao	D12/209
D639,222 S	6/2011	Johnson	
D673,494 S *	1/2013	Lemke	D12/209
D697,858 S *	1/2014	Kito	D12/209
D707,165 S *	6/2014	Wheel	D12/209
D719,891 S *	12/2014	Johnson	D12/209
D722,000 S *	2/2015	Kern	D12/209
D739,329 S *	9/2015	Watkin	D12/211
D760,138 S *	6/2016	Henderson	D12/209
D786,767 S *	5/2017	Bjerke	D12/209
D789,866 S *	6/2017	Giolito	D12/211
D791,672 S *	7/2017	Palana	D12/211
D792,309 S *	7/2017	Wolff	D12/211

OTHER PUBLICATIONS

Raceline Wheels catalog, vol. 26, Mar. 23, 2016.
Raceline Wheels catalog, vol. 22, Dec. 2, 2015.

* cited by examiner

Primary Examiner — Stacia A Cadmus
(74) *Attorney, Agent, or Firm* — Fish IP Law, LLP

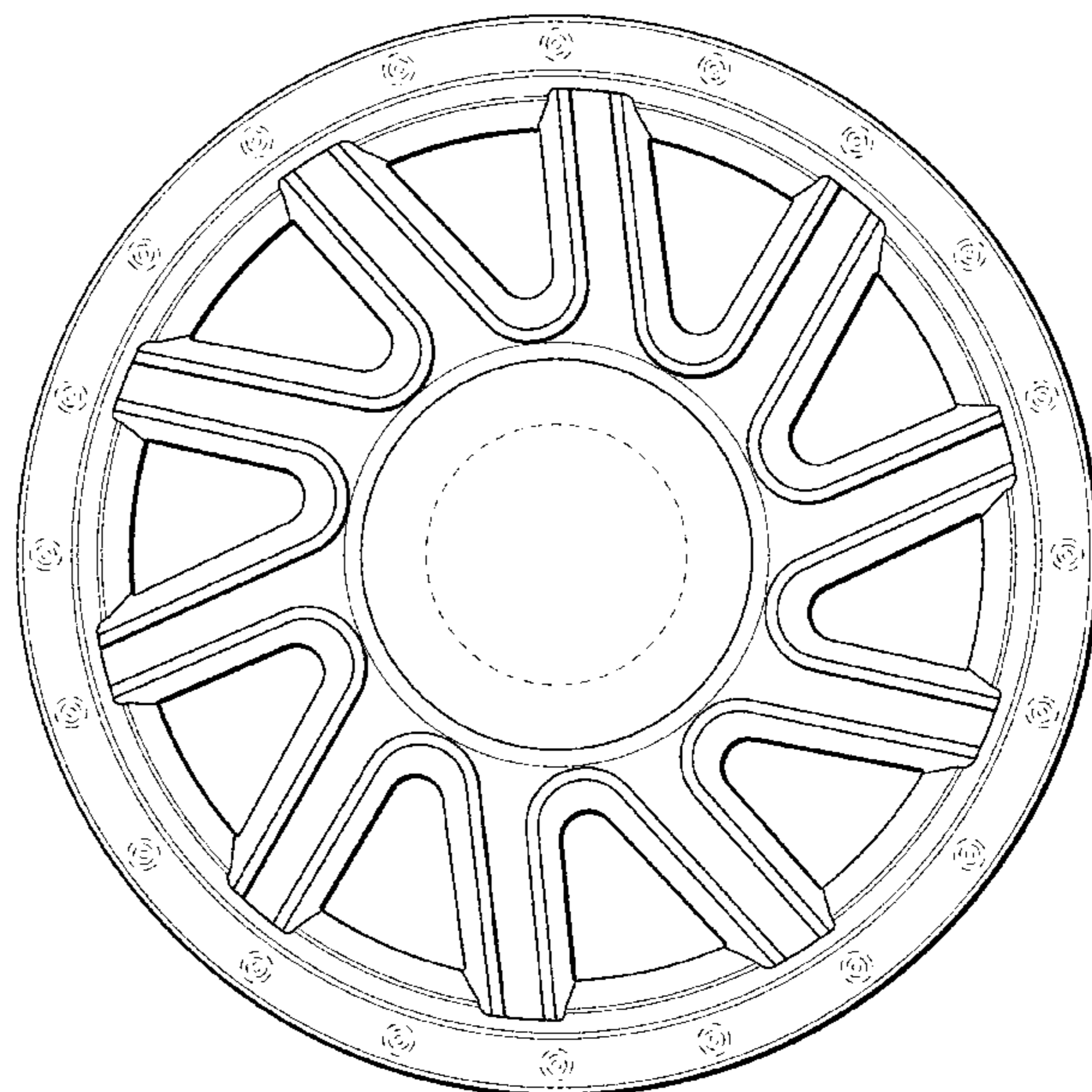
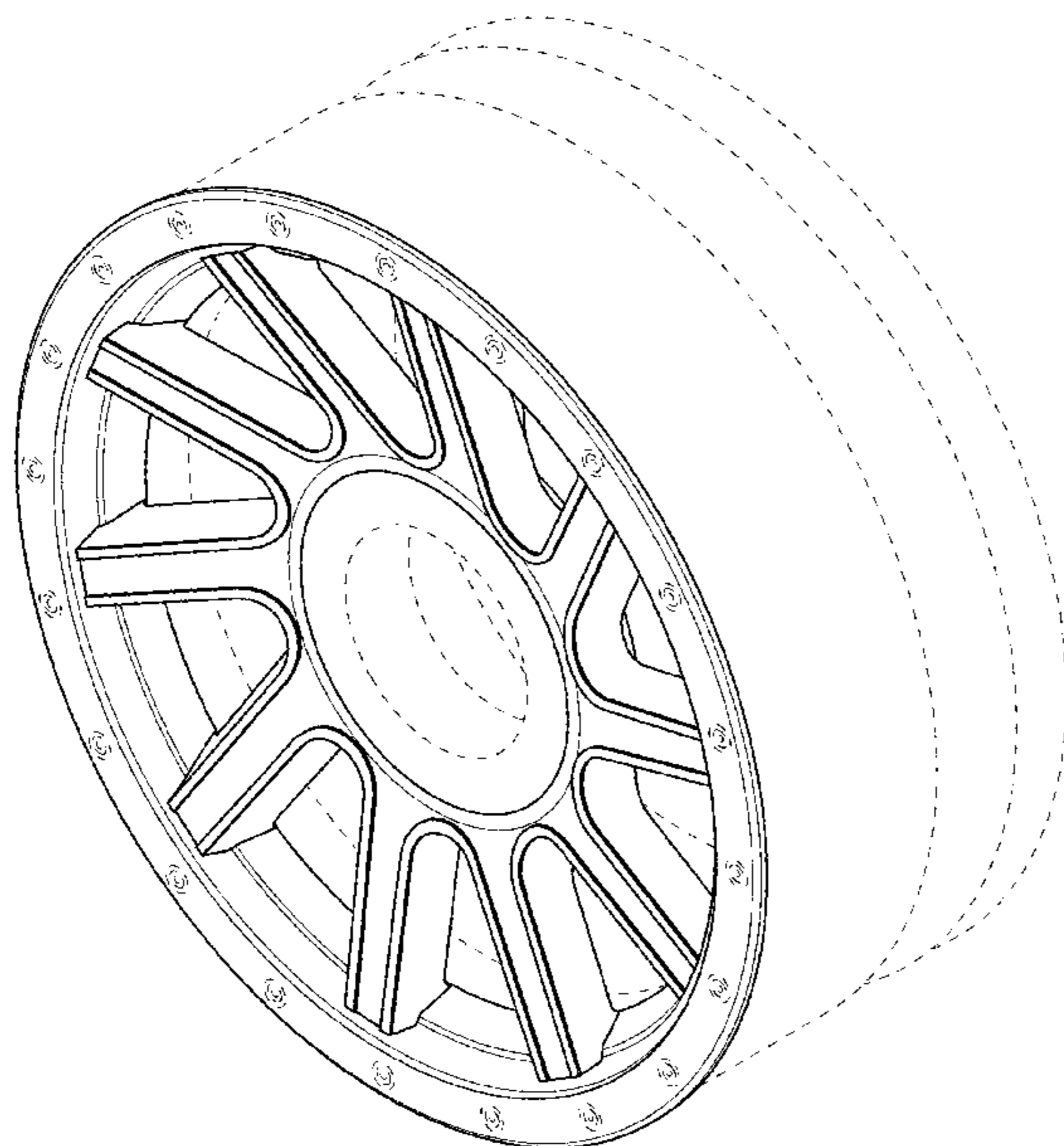
(57) **CLAIM**

The ornamental design for a wheel rim, as shown and described.

DESCRIPTION

FIG. 1 is a top, front, right side perspective view of a wheel rim of the new design; and, FIG. 2 is a front elevation view thereof. The broken line showing of the rear portion of the wheel rim in FIG. 1 is included for the purpose of illustrating environment and forms no part of the claimed design.

1 Claim, 2 Drawing Sheets



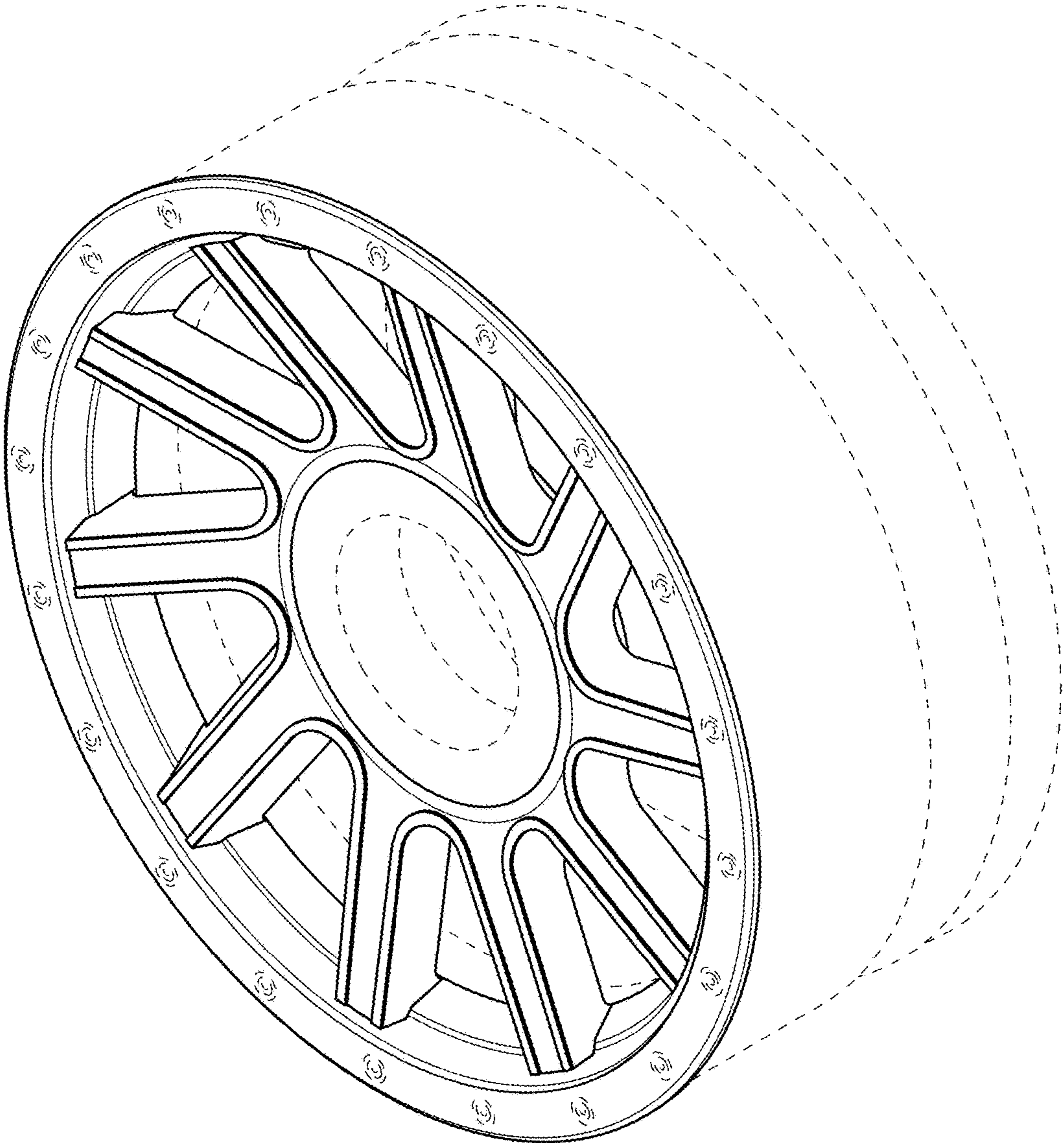


FIG. 1

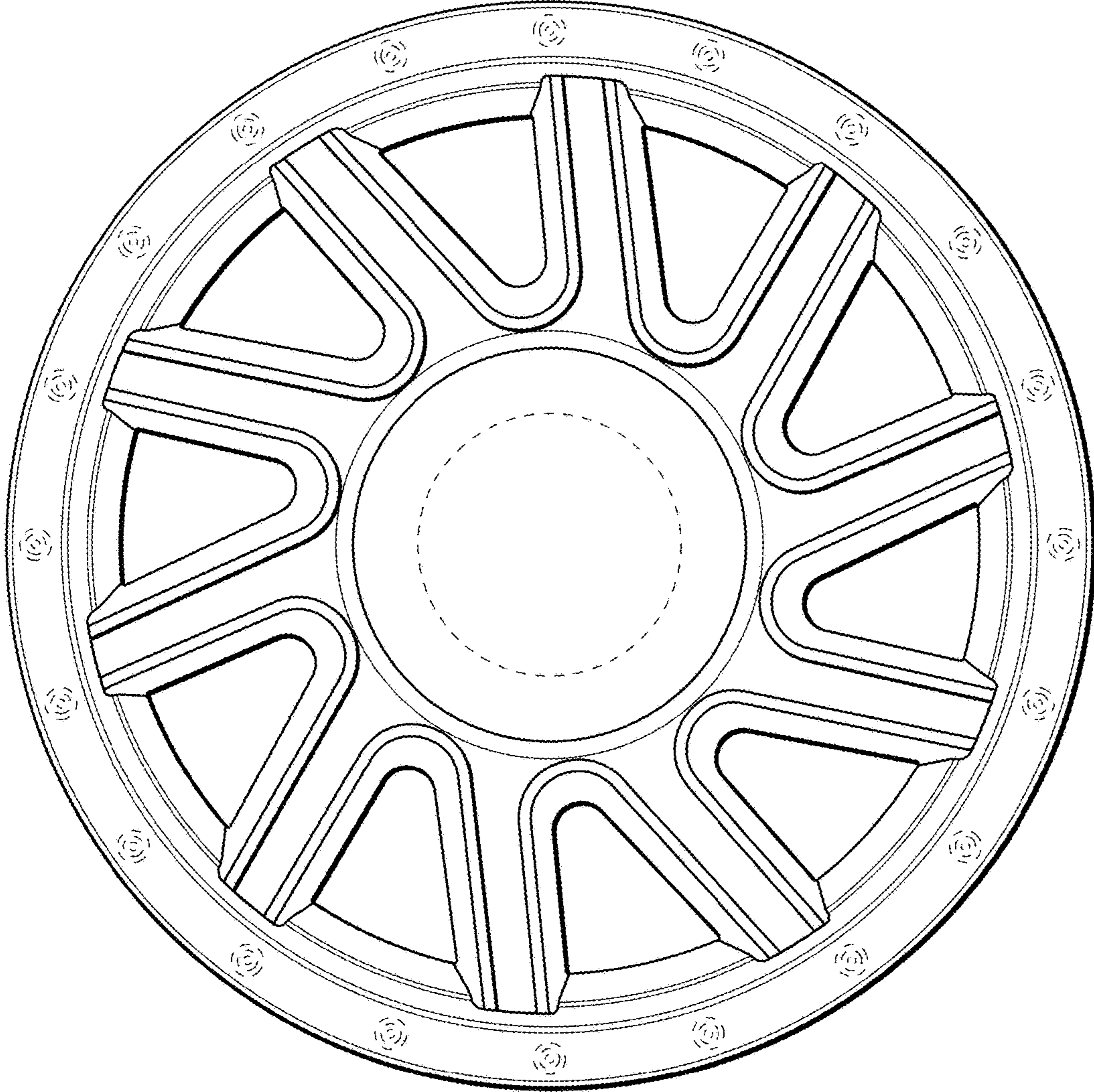


FIG. 2