



US00D834482S

(12) **United States Design Patent**
Zehnder et al.

(10) **Patent No.:** **US D834,482 S**

(45) **Date of Patent:** **** Nov. 27, 2018**

(54) **SINGLE PIECE HEAVY DUTY WHEEL**

(71) Applicant: **ALCOA INC.**, Pittsburgh, PA (US)

(72) Inventors: **Craig Zehnder**, Akron, OH (US);
Gabriele F. Ciccola, Hudson, OH (US);
Grant DeGeorge, Strongsville, OH
(US); **Santosh Prasad**, Murrysville, PA
(US); **Henry Sklyut**, Delmont, PA
(US); **Anton J. Rovito**, Parma, OH
(US); **Christopher J. Tan**, Broadview
Heights, OH (US)

(73) Assignee: **Arconic Inc.**, Pittsburgh, PA (US)

(**) Term: **15 Years**

(21) Appl. No.: **29/572,286**

(22) Filed: **Jul. 26, 2016**

(51) **LOC (11) Cl.** **12-16**

(52) **U.S. Cl.**
USPC **D12/204**

(58) **Field of Classification Search**
USPC D12/204-213; D21/533, 561, 563
CPC B60B 7/00; B60B 7/01; B60B 7/02; B60B
7/04; B60B 7/06; B60B 7/063; B60B
3/02; B60B 3/04; B60B 3/06; B60B 3/10;
B60B 1/00; B60B 1/08; B60B 1/10;
B60B 1/12

See application file for complete search history.

(56) **References Cited**

U.S. PATENT DOCUMENTS

3,302,275 A 2/1967 Turpin
D274,236 S * 6/1984 Woodward D12/209
D284,753 S 7/1986 Hedlund
D327,466 S 6/1992 Lipper
D356,538 S * 3/1995 Botterman D12/209
D358,360 S * 5/1995 Botterman D12/211

D358,797 S 5/1995 Botterman
D360,867 S * 8/1995 Botterman D12/211
D361,052 S * 8/1995 Clements D12/209
D492,923 S 7/2004 Whitehead

(Continued)

FOREIGN PATENT DOCUMENTS

AU 351933 11/2013
AU 351934 11/2013

(Continued)

OTHER PUBLICATIONS

Wheel at <https://worldindustrialreporter.com/alcoa-develops-new-dura-bright-evo-wheel-with-enhanced-durability-and-easy-maintenance/>, published on Jan. 27, 2014.

(Continued)

Primary Examiner — Sheryl Lane

Assistant Examiner — Calvin E Vansant

(74) *Attorney, Agent, or Firm* — Greenberg Traurig, LLP

(57) **CLAIM**

The ornamental design for a single piece heavy duty wheel, as shown and described.

DESCRIPTION

FIG. 1 is a perspective view of the single piece heavy duty wheel.

FIG. 2 is a front view of the single piece heavy duty wheel.

FIG. 3 is a back view of the single piece heavy duty wheel.

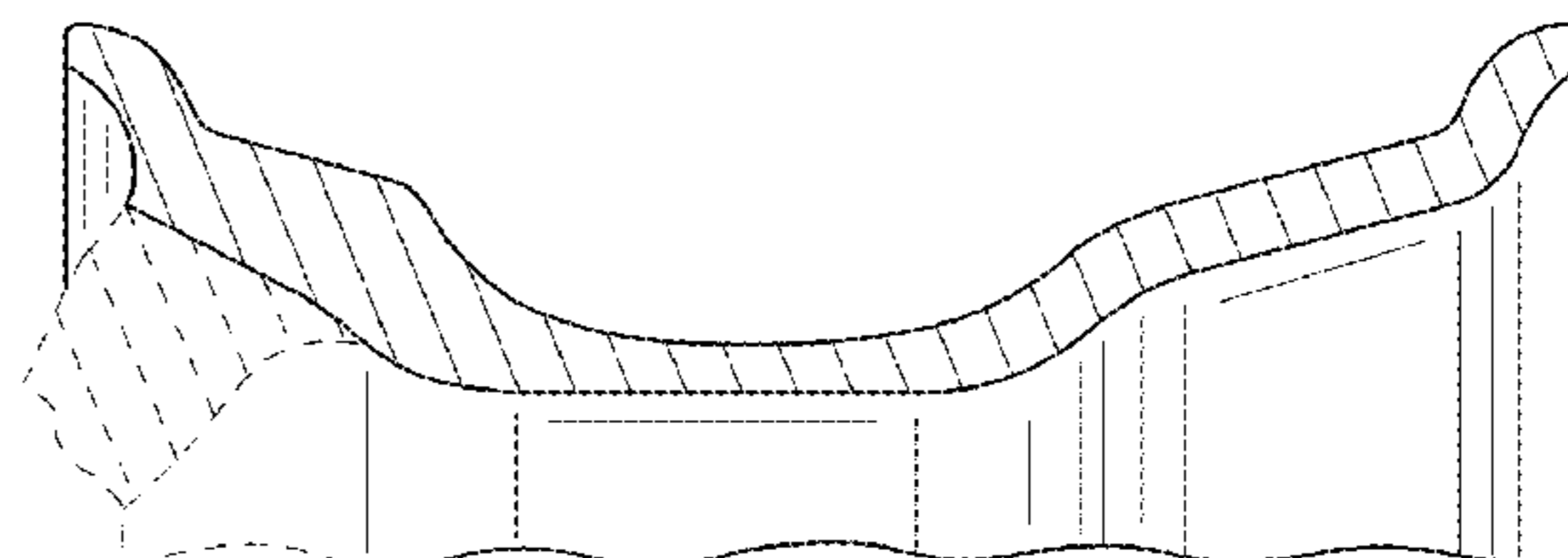
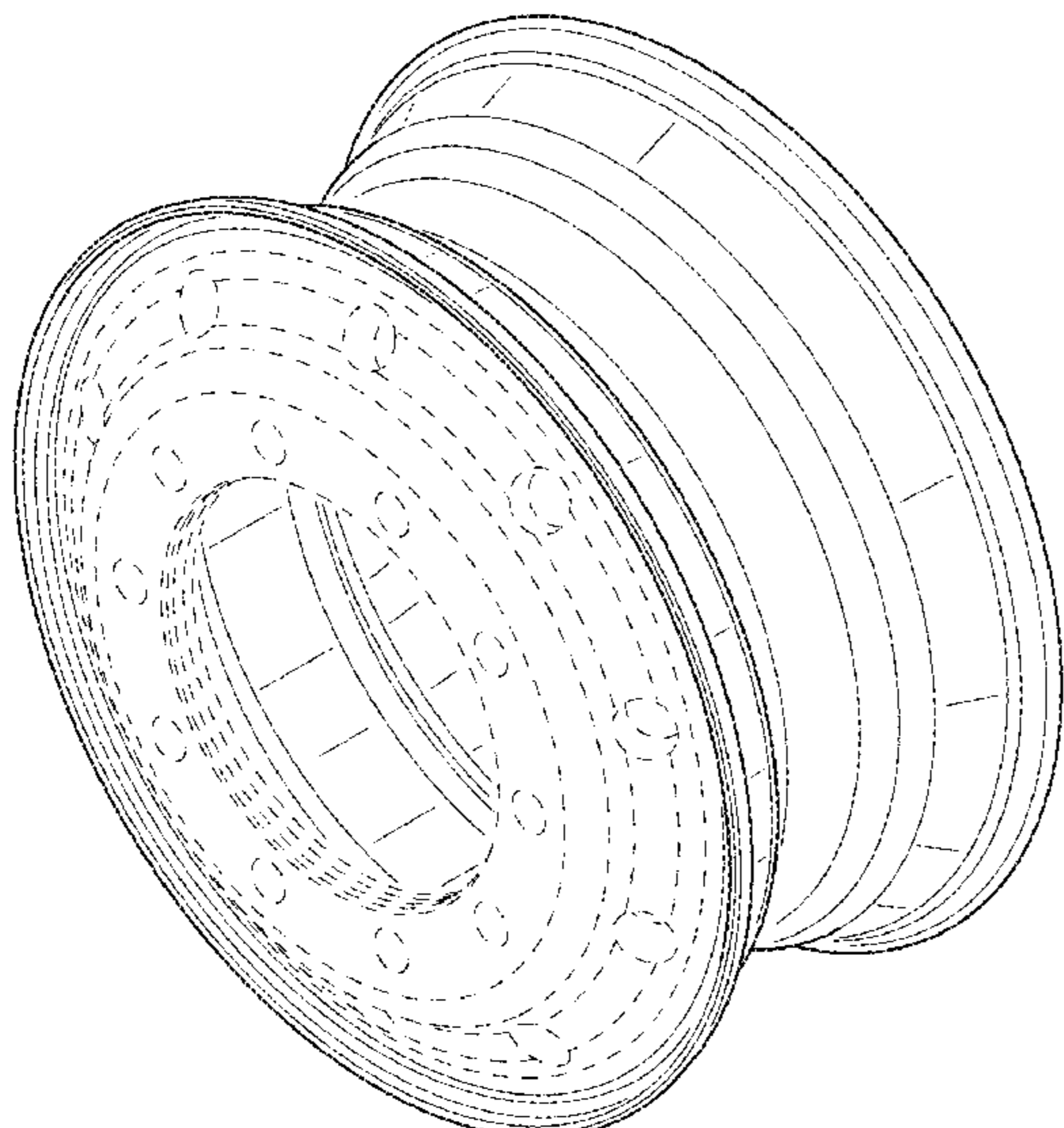
FIG. 4 is a side view of the single piece heavy duty wheel.

FIG. 5 is a top view of the single piece heavy duty wheel; and,

FIG. 6 is a cross-sectional view of the single piece heavy duty wheel.

The broken lines in the figures show portions illustrating environmental structures of the single piece heavy duty wheel that form no part of the claimed design.

1 Claim, 6 Drawing Sheets



(56)

References Cited

U.S. PATENT DOCUMENTS

D502,908 S * 3/2005 Mahachanh D12/209
D504,378 S 4/2005 Grossenbacher et al.
D519,433 S 4/2006 Finn
D521,918 S * 5/2006 Mahachanh D12/209
D521,919 S * 5/2006 Mahachanh D12/209
D527,324 S 8/2006 Whitehead
D598,835 S 8/2009 DeGeorge
9,032,600 B2 5/2015 Puiphus
D773,974 S 12/2016 DeGeorge et al.

FOREIGN PATENT DOCUMENTS

AU	201611575	6/2016
CA	104173	1/2005
JP	2009-051248	3/2009
JP	1540615	12/2015

OTHER PUBLICATIONS

Wheel at <http://www.moderntiredealer.com/news/399994/accuride-wheels-aim-to-reduce-flange-wear>, published on Jun. 9, 2014.

* cited by examiner

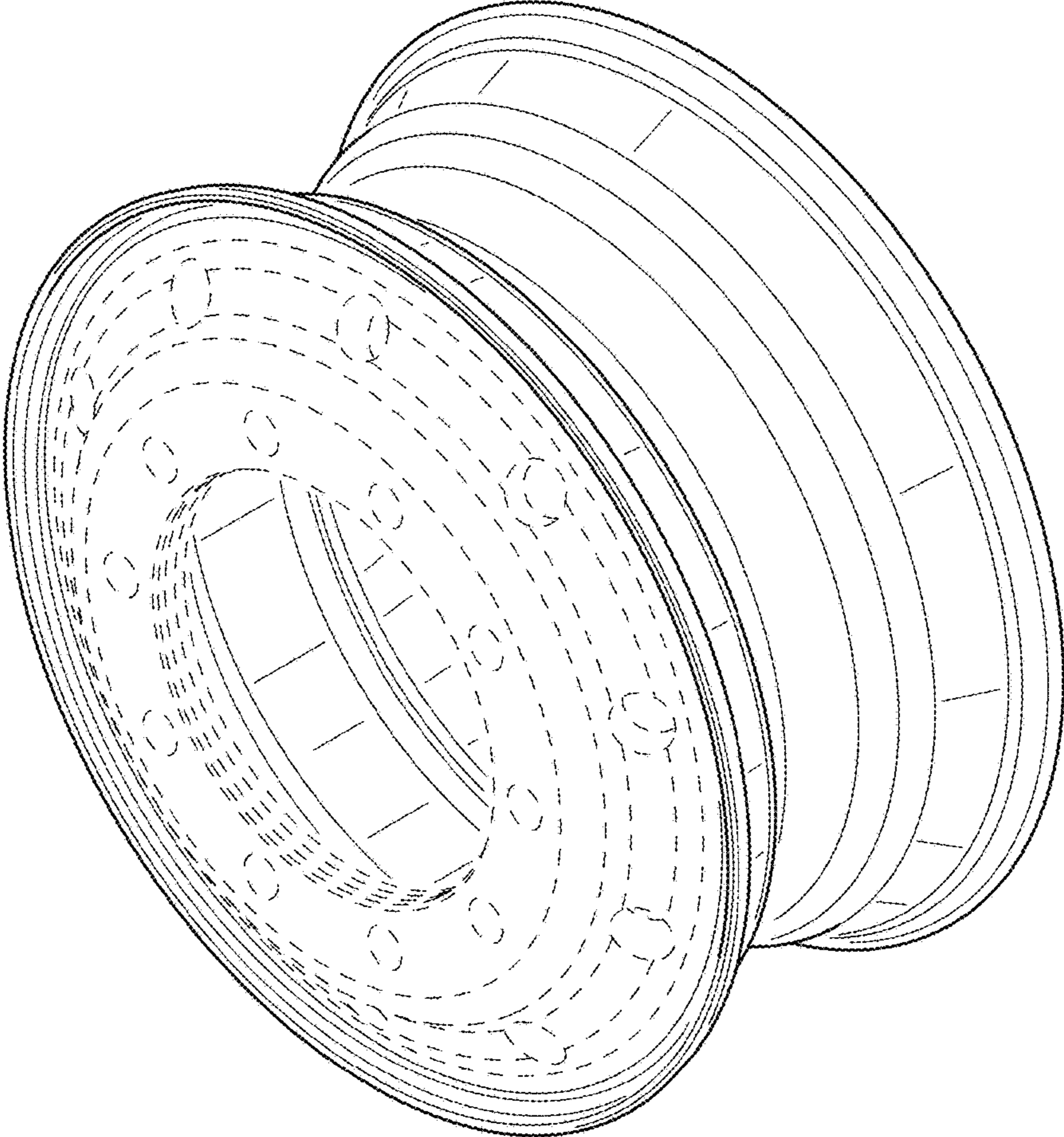


FIG.1

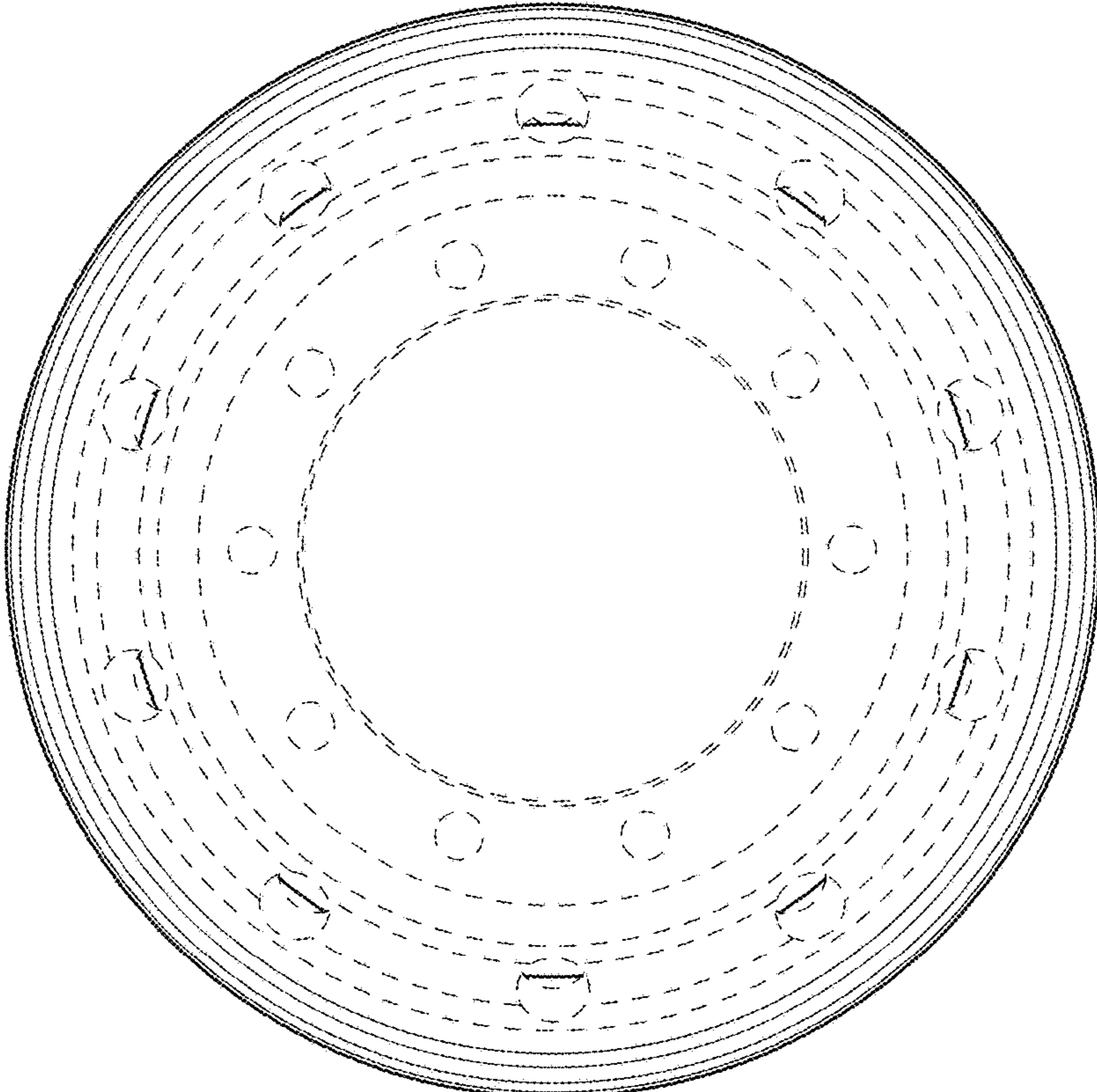


FIG.2

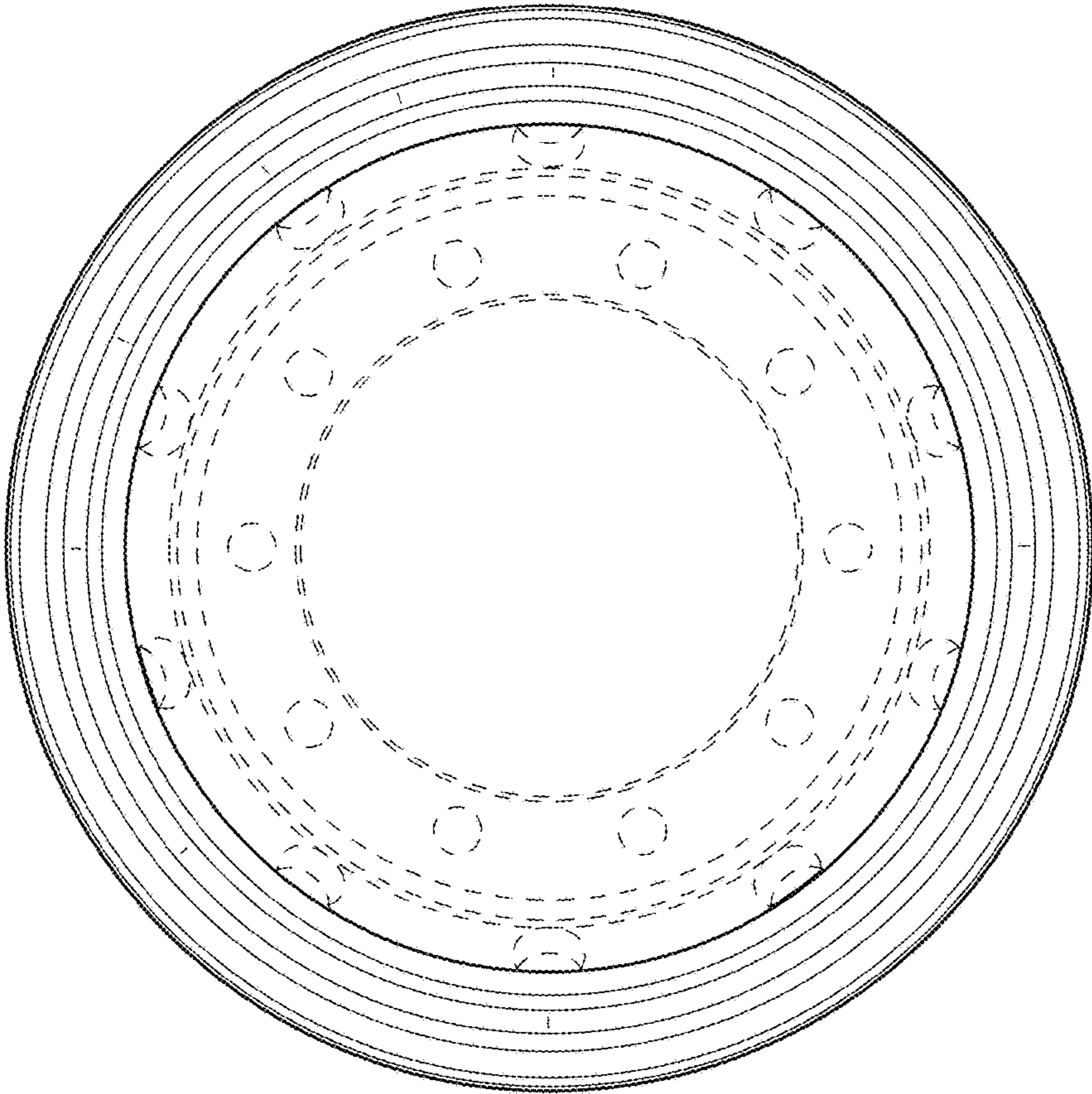


FIG.3

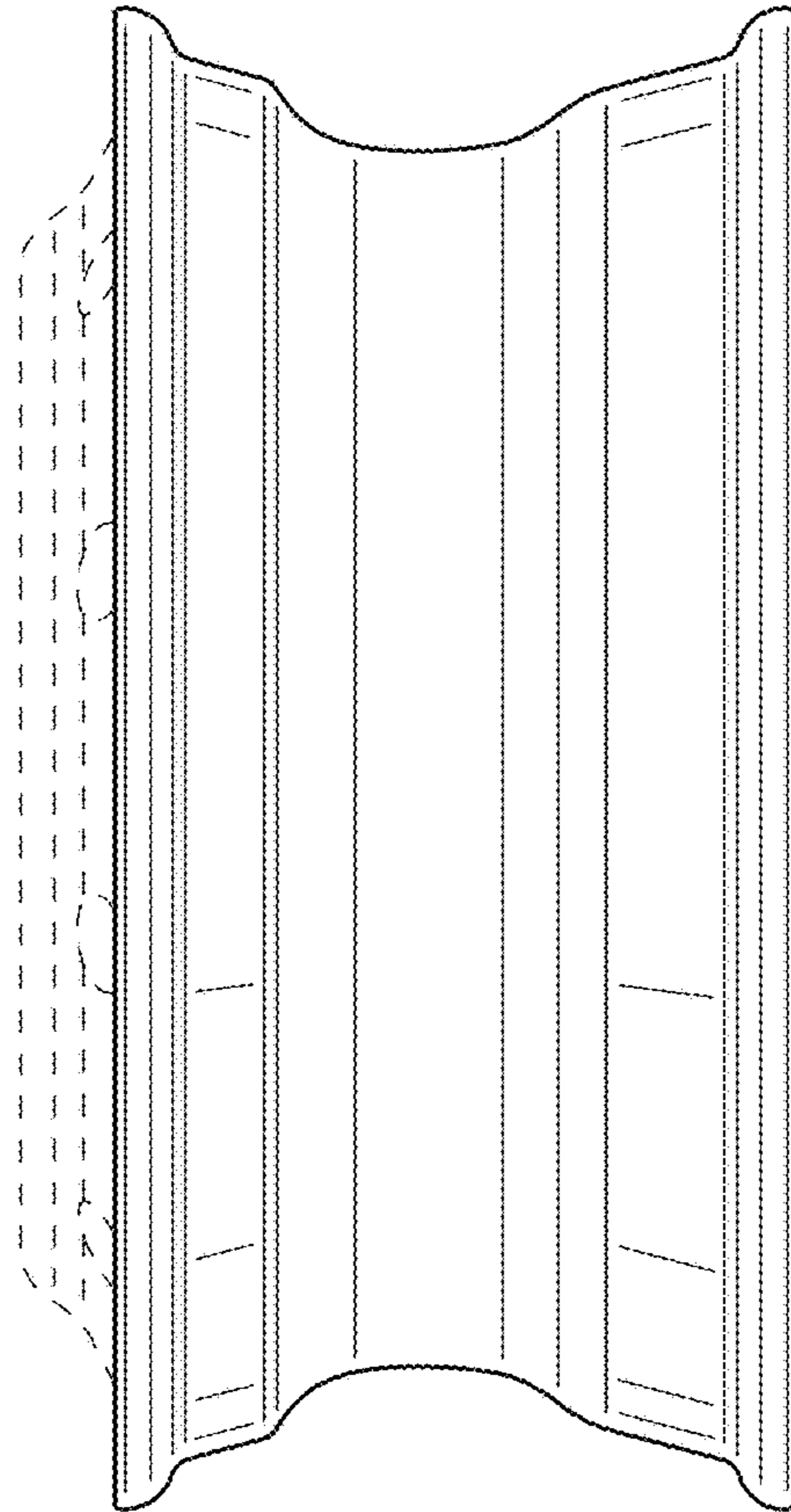


FIG.4

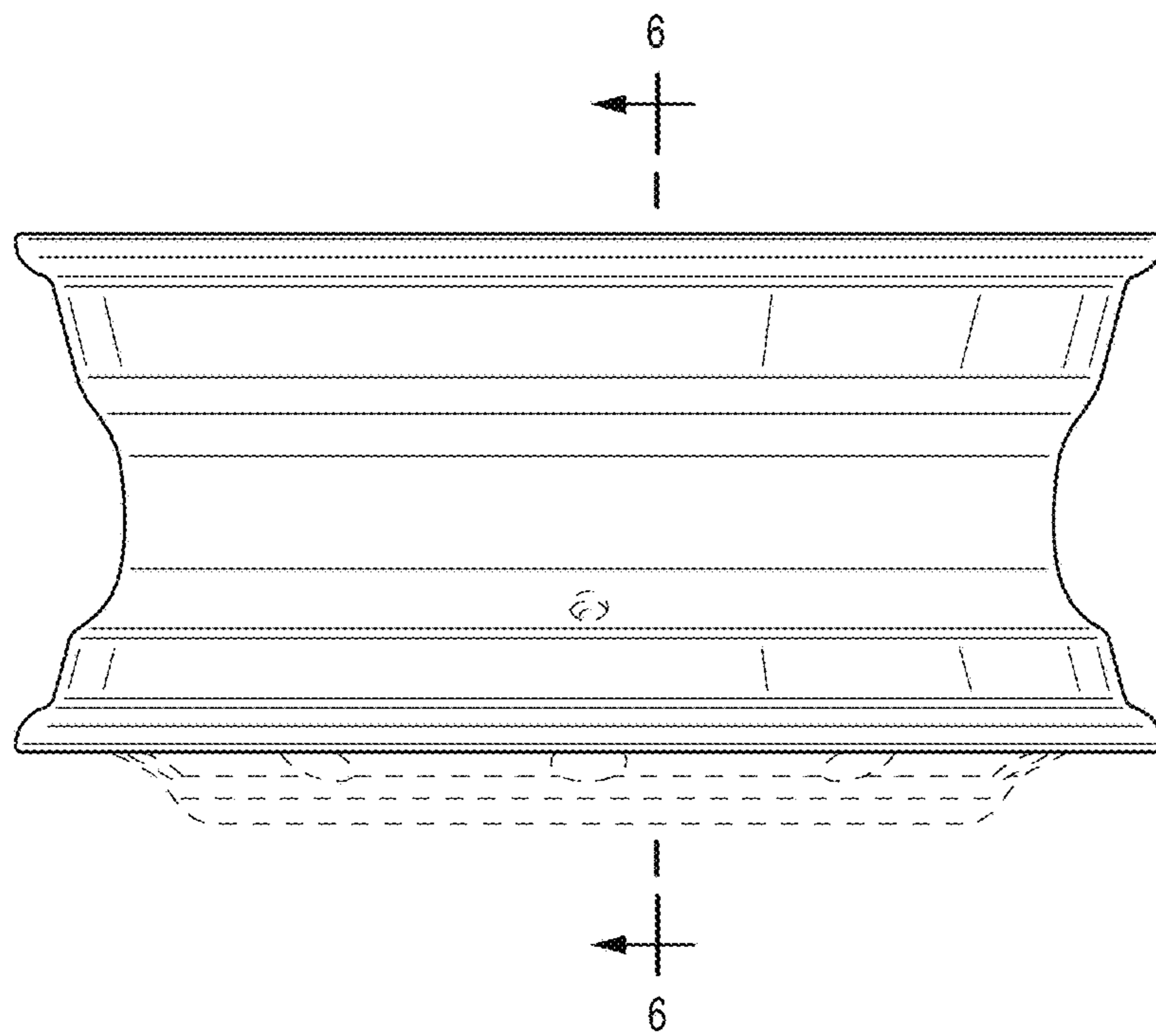


FIG.5

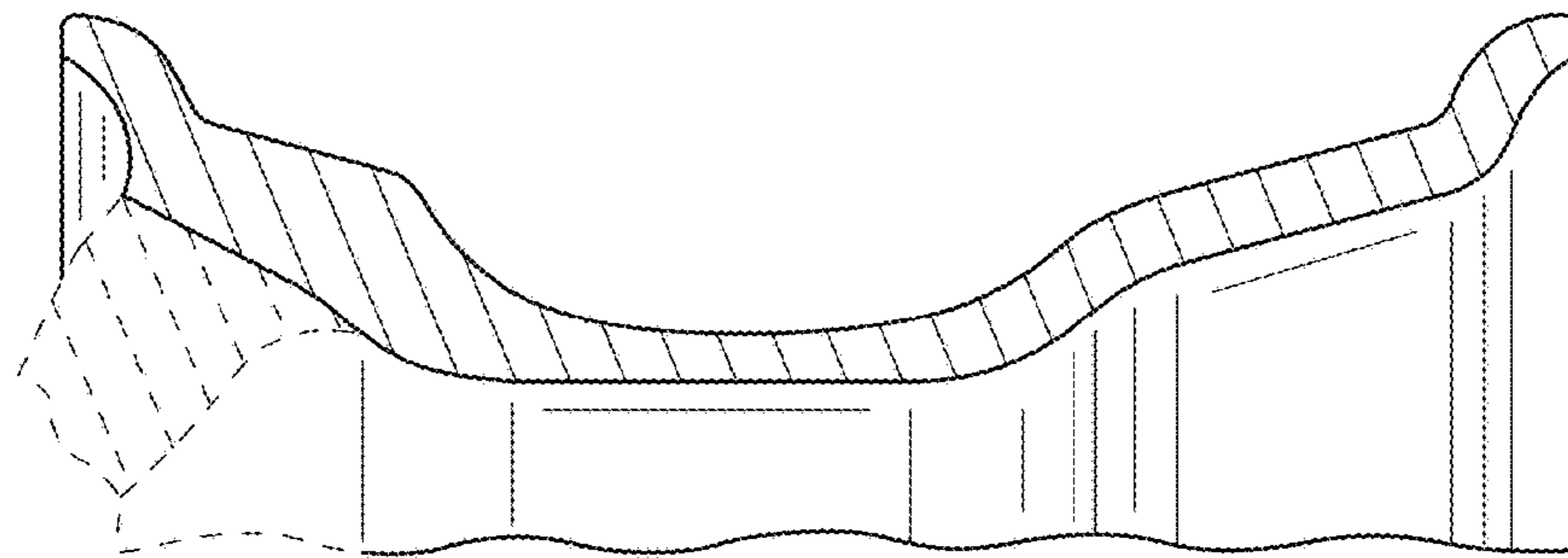


FIG.6