



US00D834479S

(12) **United States Design Patent**  
**Spencer**

(10) **Patent No.:** **US D834,479 S**

(45) **Date of Patent:** **\*\* Nov. 27, 2018**

(54) **MOUNT FOR LICENSE PLATE OR SIMILAR ARTICLE**

(71) Applicant: **Cruiser Accessories, LLC**, Monument, CO (US)

(72) Inventor: **Todd Spencer**, Monument, CO (US)

(73) Assignee: **Cruiser Accesories, LLC**, Monument, CO (US)

(\*\*) Term: **15 Years**

(21) Appl. No.: **29/628,600**

(22) Filed: **Dec. 6, 2017**

(51) **LOC (11) Cl.** ..... **12-16**

(52) **U.S. Cl.**  
USPC ..... **D12/193**

(58) **Field of Classification Search**  
USPC ..... D12/193  
CPC ..... B60R 13/10; B60R 13/105; B60R 19/24;  
B60R 19/52

See application file for complete search history.

(56) **References Cited**

**U.S. PATENT DOCUMENTS**

D245,497 S \* 8/1977 Ritch ..... D12/193  
D396,679 S \* 8/1998 Findel, II ..... D12/193  
D435,819 S \* 1/2001 Spencer ..... D12/193

D488,754 S \* 4/2004 Spencer ..... D12/193  
D489,031 S \* 4/2004 Leibman ..... D12/193  
D591,660 S \* 5/2009 Kazaryan ..... D12/193  
D625,234 S \* 10/2010 Vuletic ..... D12/193  
D633,837 S \* 3/2011 Murray ..... D12/193  
D718,690 S \* 12/2014 Marksteiner ..... D12/193  
D784,879 S \* 4/2017 Liao ..... D12/193  
D813,131 S \* 3/2018 Chiang ..... D12/193  
D818,917 S \* 5/2018 Addy ..... D12/193  
D824,307 S \* 7/2018 Spencer ..... D12/193

\* cited by examiner

*Primary Examiner* — George D. Kirschbaum

*Assistant Examiner* — Natasha Vujcic

(74) *Attorney, Agent, or Firm* — Elevated IP, LLC

(57) **CLAIM**

The ornamental design for a mount for license plate or similar article, as shown and described.

**DESCRIPTION**

FIG. 1 is a bottom and left side perspective view of the front side of the mount for license plate or similar article in accordance with the present design;

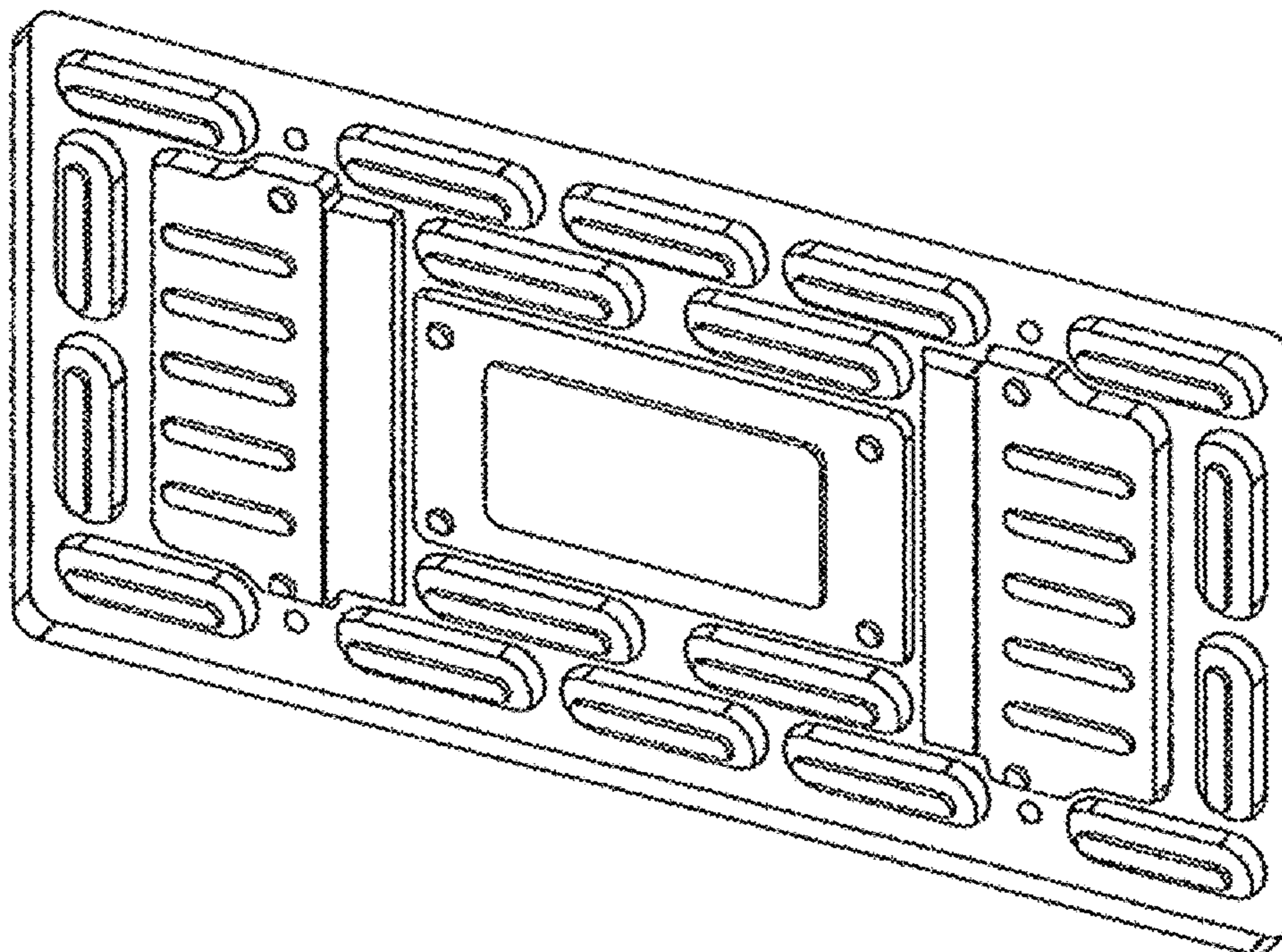
FIG. 2 is a top and right side perspective view of the back side of the mount for license plate or similar article in accordance with the present design;

FIG. 3 is a front side elevational view thereof;

FIG. 4 is a back side elevational view thereof; and,

FIG. 5 is a left elevational view thereof.

**1 Claim, 5 Drawing Sheets**



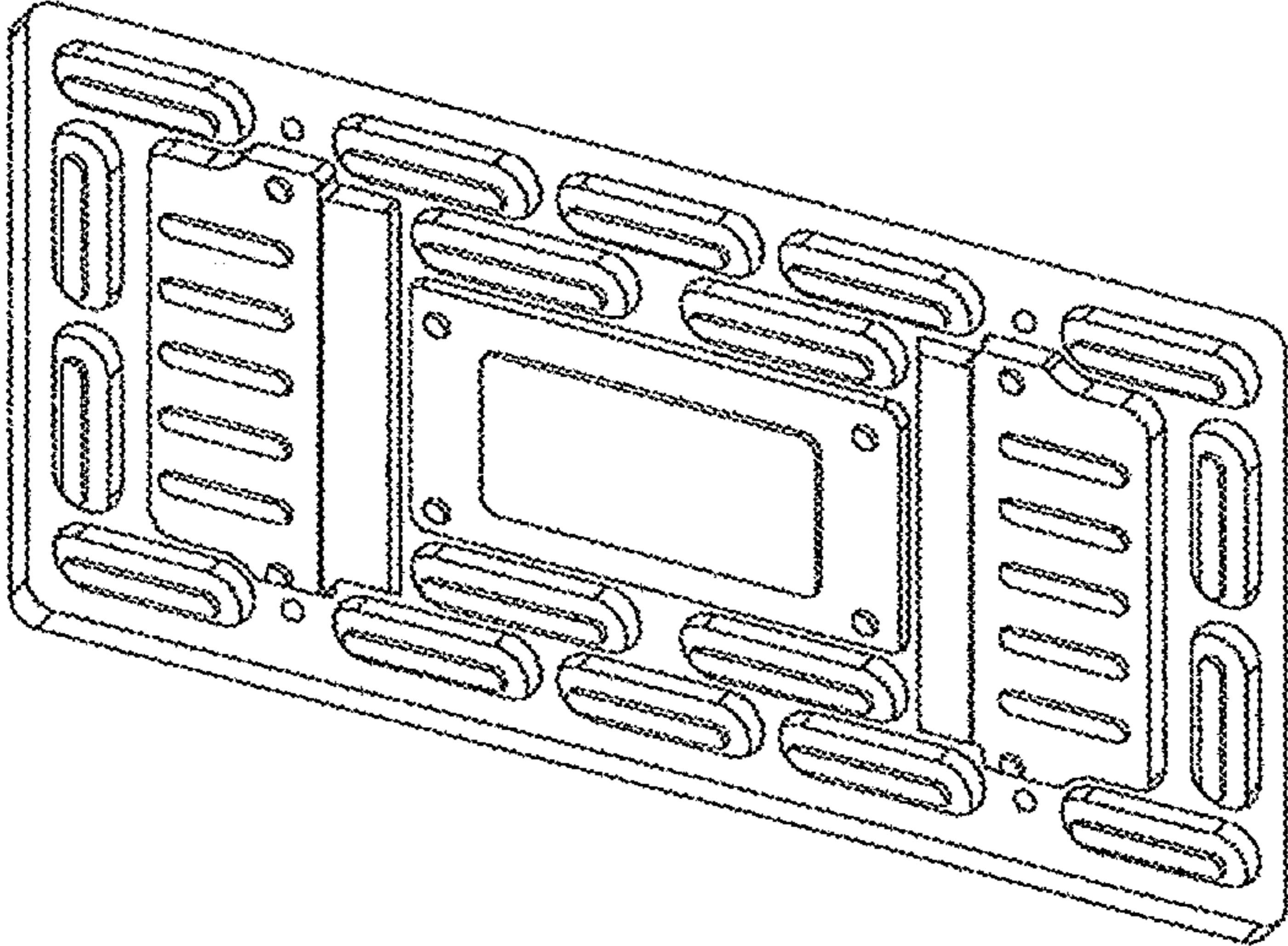


FIG.1

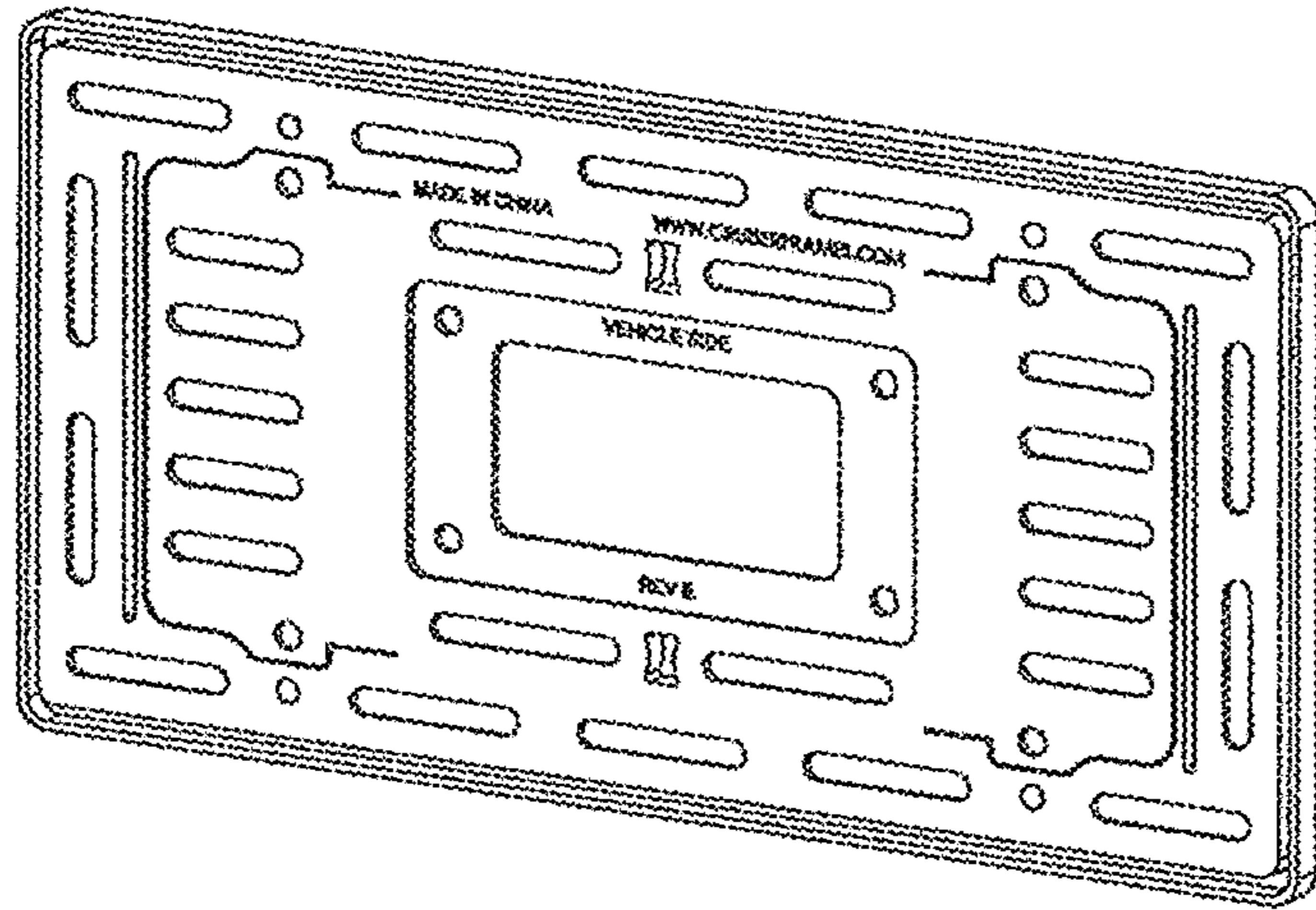


FIG. 2

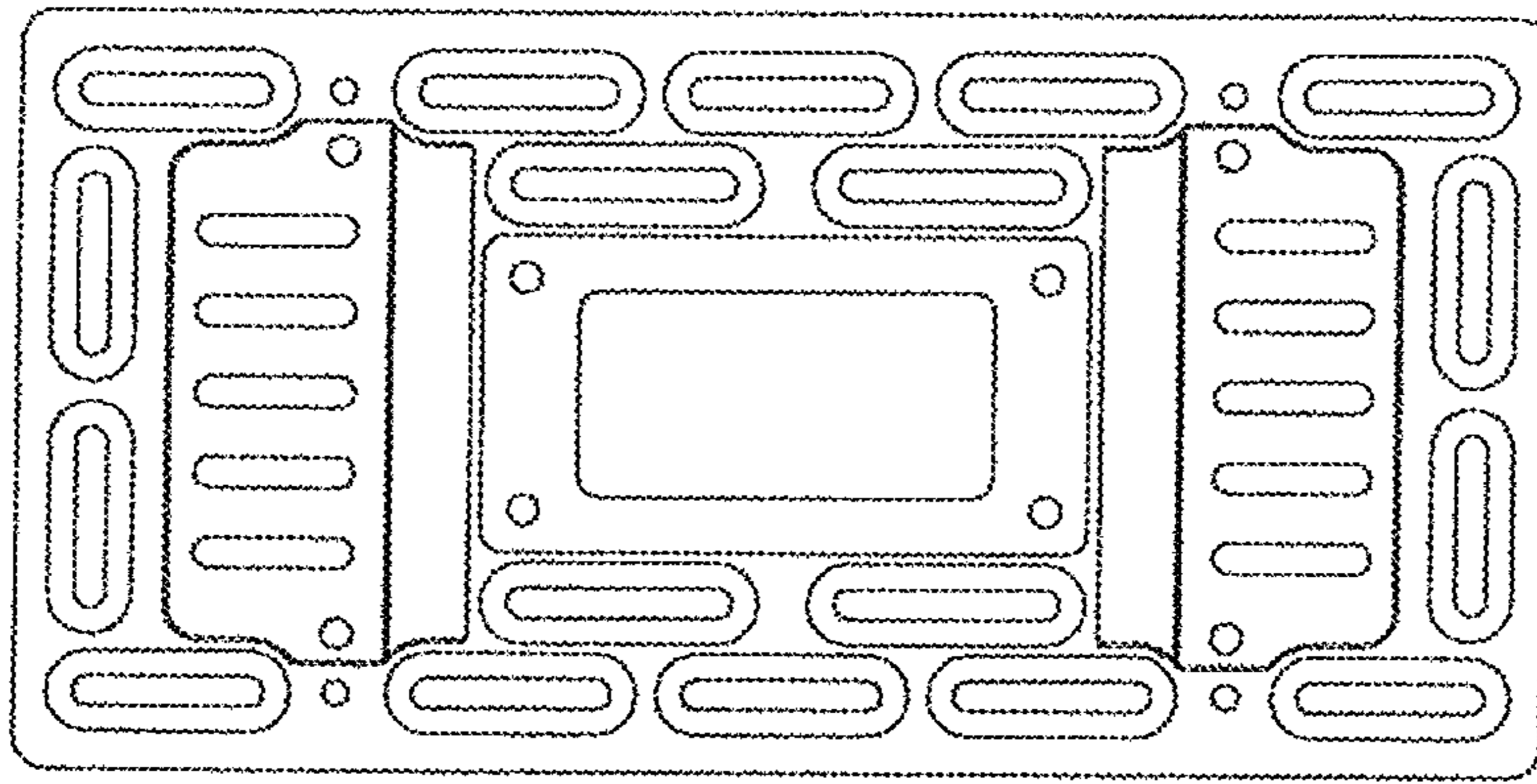


FIG. 3

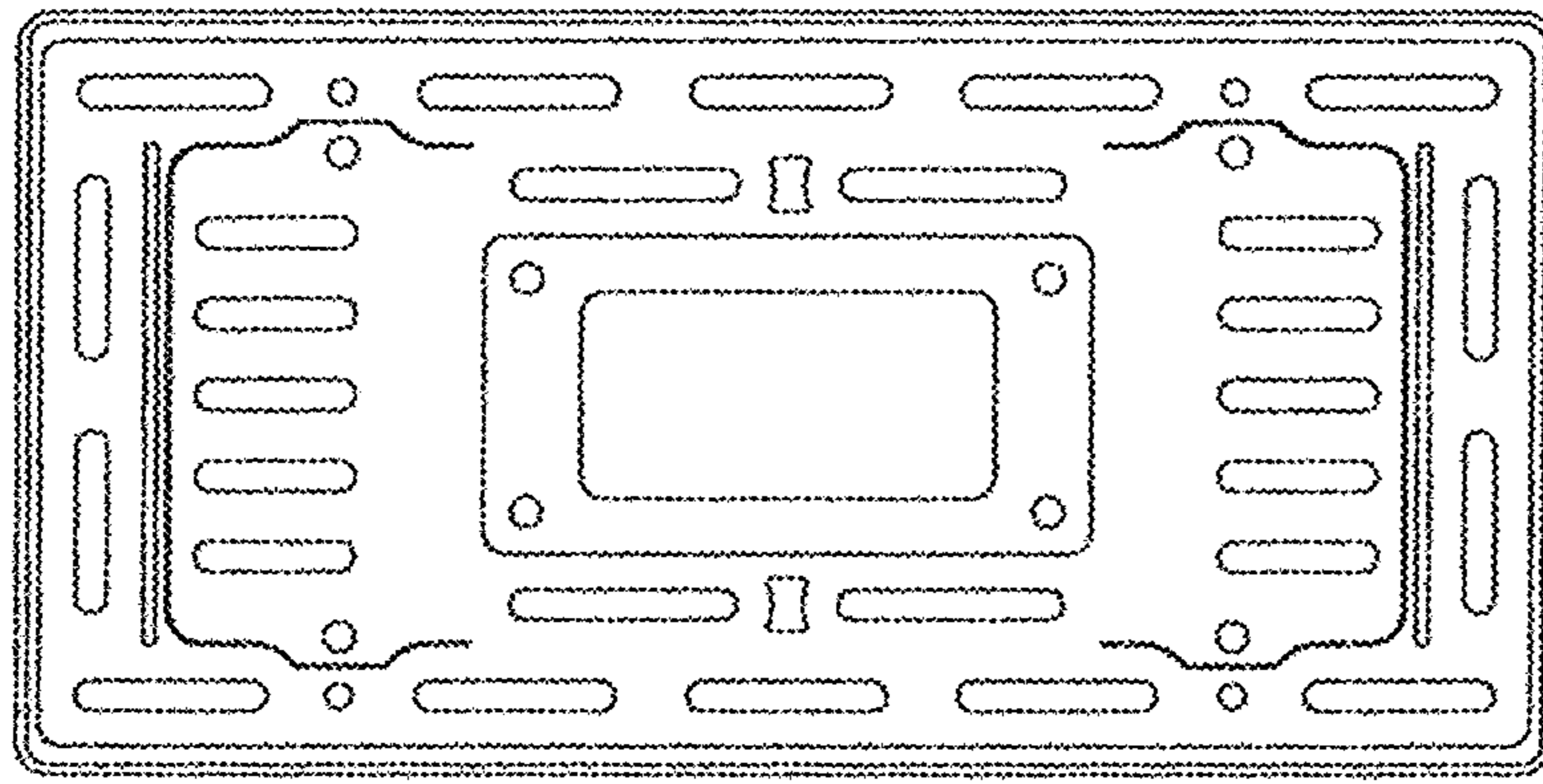


FIG 4

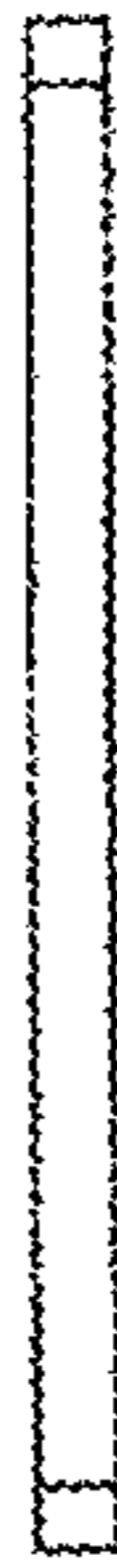


FIG. 5