



US00D834476S

(12) **United States Design Patent** (10) **Patent No.:** **US D834,476 S**
Tang (45) **Date of Patent:** **** Nov. 27, 2018**

(54) **REAR VIEW MIRROR EQUIPPED WITH A DRIVING RECORDER**

D556,106 S * 11/2007 Carter D12/187
D661,234 S * 6/2012 De Wind D12/187
D729,714 S * 5/2015 Roth D12/187

(Continued)

(71) Applicant: **INVENTEL PRODUCTS, LLC**,
Rockaway, NJ (US)

FOREIGN PATENT DOCUMENTS

(72) Inventor: **Jack Tang**, New Taipei (TW)

CN 302974285 * 10/2014
CN 303842610 * 9/2016

(73) Assignee: **Inventel Products, LLC**, Rockaway,
NJ (US)

(Continued)

(**) Term: **15 Years**

OTHER PUBLICATIONS

(21) Appl. No.: **29/570,795**

HD Mirror Cam TV Commercial, announced Jan. 21, 2017 [online],
[site visited Sep. 16, 2017], Available from Internet, URL: <https://
www.ispot.tv/ad/AJhN/hd-mirror-cam-protect-yourself> @ 0:09.*

(22) Filed: **Jul. 12, 2016**

(Continued)

(51) **LOC (11) Cl.** **12-16**

(52) **U.S. Cl.**
USPC **D12/187**; D16/208; D16/203

(58) **Field of Classification Search**
USPC D16/200–220, 239, 242, 243, 244, 245;
D3/267, 265; D26/140, 26, 138, 142, 60,
D26/61, 62, 63, 106, 107, 128, 131;
D12/187; D14/204, 195, 181, 183, 215,
D14/209, 210, 224
CPC .. A61B 5/00; A61B 17/34; B60R 1/00; B60R
11/04; B64D 47/08; F16M 11/12; G03B
5/00; G03B 7/26; G03B 11/04; G03B
15/00; G03B 17/56; G03B 17/00; G03B
17/55; G03B 17/02; G08B 15/00; G11B
5/60; G06K 9/00; H04N 5/232; H04N
5/225; H04N 7/18; H04N 7/173; H04N
13/02

See application file for complete search history.

Primary Examiner — Barbara Fox

Assistant Examiner — Mary C Ramirez

(74) *Attorney, Agent, or Firm* — Janine D. Geraigery,
Esq.

(57) **CLAIM**

The ornamental design for a rear view mirror equipped with
a driving recorder, as shown and described.

DESCRIPTION

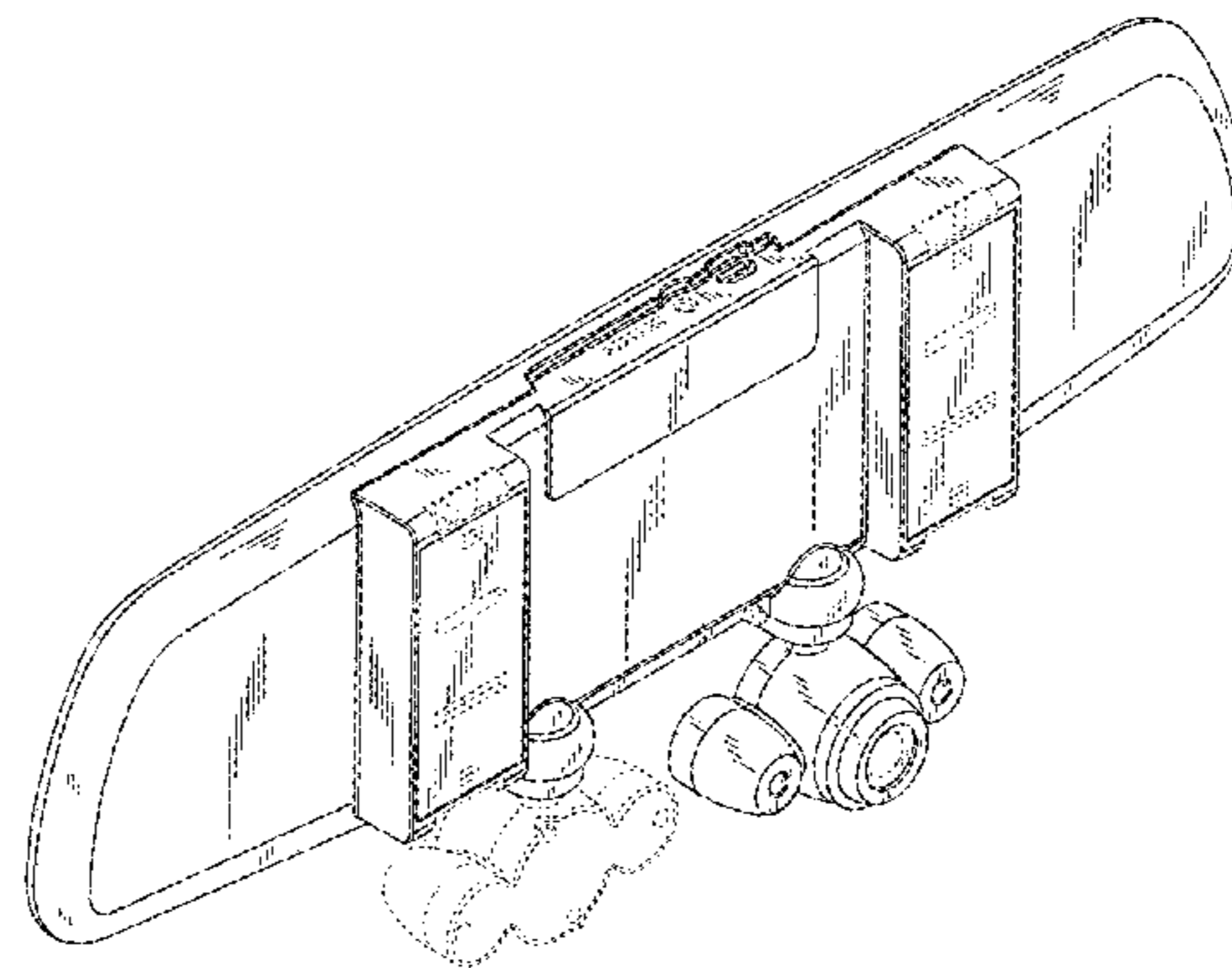
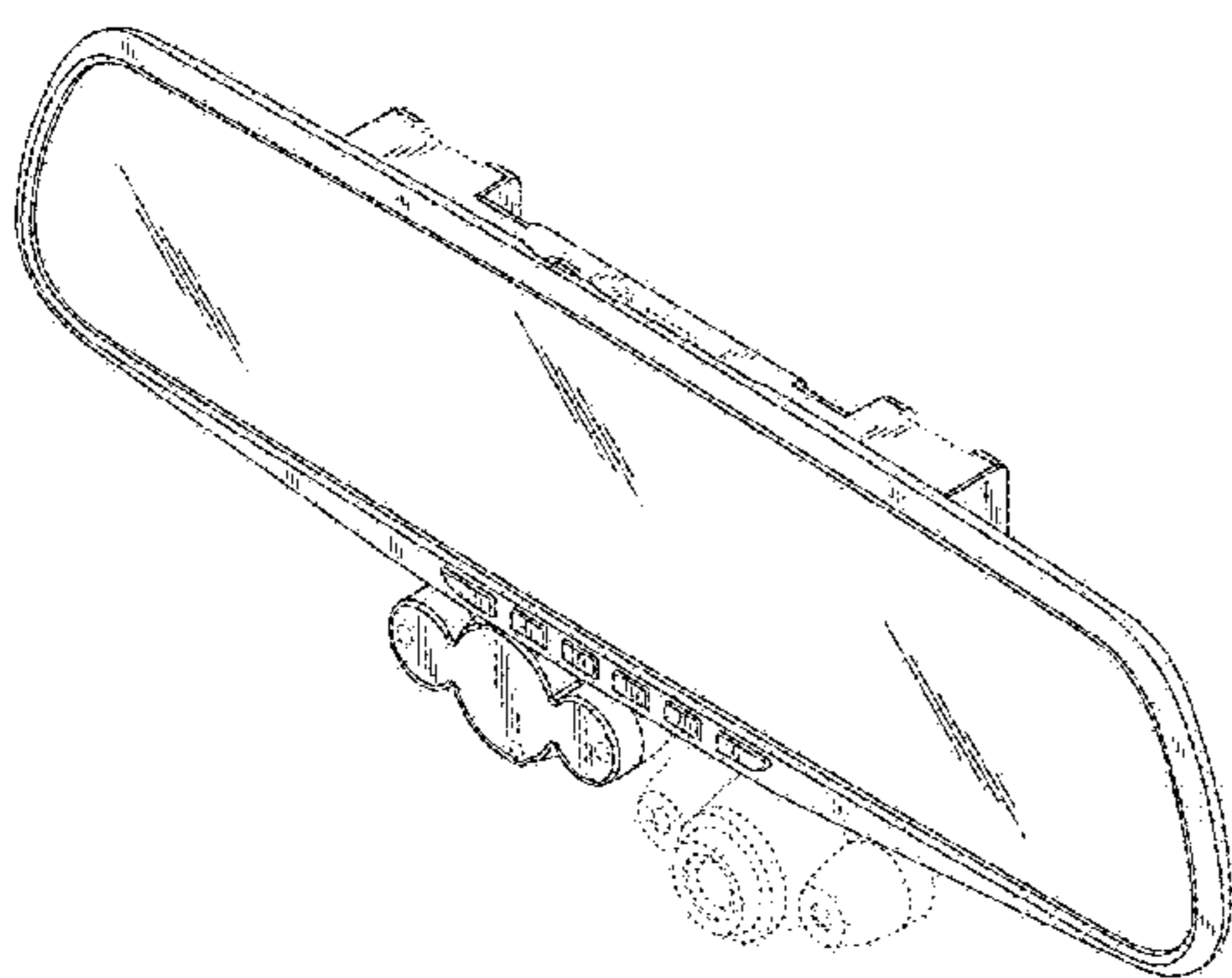
FIG. 1 is a front right perspective view of a rear view mirror
equipped with a driving recorder showing the new design;
FIG. 2 is a front view thereof;
FIG. 3 is a rear view thereof;
FIG. 4 is a left side view thereof;
FIG. 5 is a right side view thereof;
FIG. 6 is a top view thereof;
FIG. 7 is a bottom view thereof; and,
FIG. 8 is a rear right perspective view thereof.
The broken lines shown in the drawings depict portions of
the rear view mirror equipped with a driving recorder that
form no part of the claimed design.

(56) **References Cited**

U.S. PATENT DOCUMENTS

D391,214 S * 2/1998 Hook D12/187
D466,456 S * 12/2002 Carter D12/187
D478,537 S * 8/2003 Ono D12/187

1 Claim, 6 Drawing Sheets



(56)

References Cited

U.S. PATENT DOCUMENTS

D730,256 S * 5/2015 Hamlin D12/187
 9,319,639 B1 * 4/2016 Englander H04N 7/181
 D755,097 S * 5/2016 Lin D12/187
 9,604,576 B2 * 3/2017 Uken B60R 1/12
 D786,755 S * 5/2017 Sloterbeek D12/187
 9,694,749 B2 * 7/2017 Lynam B60R 1/003
 D795,162 S * 8/2017 Kwon D12/400
 9,718,357 B2 * 8/2017 DeLine B60K 28/063
 10,046,703 B2 * 8/2018 Hoyda H04N 7/181
 10,071,689 B2 * 9/2018 VanderPloeg B60R 1/1207
 2002/0003571 A1 * 1/2002 Schofield B60C 23/00
 348/148
 2004/0230358 A1 * 11/2004 Stam B60Q 1/1423
 701/49
 2006/0061008 A1 * 3/2006 Karner B29C 45/0017
 264/250
 2007/0051885 A1 * 3/2007 Creswick B60R 1/00
 250/239
 2007/0295874 A1 * 12/2007 Hollenhead B60R 11/02
 248/289.11
 2009/0002491 A1 * 1/2009 Haler B60R 1/12
 348/148
 2009/0243824 A1 * 10/2009 Peterson B60R 1/12
 340/435
 2010/0091394 A1 * 4/2010 DeWind B60R 1/12
 359/838
 2010/0110523 A1 * 5/2010 Varaprasad B60R 1/089
 359/273
 2010/0201896 A1 * 8/2010 Ostreko B60R 1/12
 349/1
 2015/0077872 A1 * 3/2015 Howard B60R 1/12
 359/844

FOREIGN PATENT DOCUMENTS

CN 303842623 * 9/2016
 EM 003536697-0001 * 1/2017

OTHER PUBLICATIONS

HD Mirror Cam, announced Feb. 22, 2017 [online], [site visited Sep. 16, 2017], Available from Internet, URL: <https://www.youtube.com/watch?v=Rm3A_hoHCYk> @ 0:45.*
 HD Mirror Cam HSN, announced Aug. 29, 2016 [online], [site visited Sep. 16, 2017], Available from Internet, URL: <<https://www.youtube.com/watch?v=-IDxm1ip-sw>> @ 0:29.*
 Dual Dash Cam Review UK, announced Jan. 26, 2016 [online], [site visited Sep. 16, 2017], Available from Internet, URL: <<https://www.youtube.com/watch?v=wQ0JK46gcqU>> @ 1:10.*
 Wireless Rear View Car Camera, announced Jun. 10, 2014, [online], [site visited Sep. 16, 2017], Available from Internet, URL: <https://www.chinavasion.com/china/wholesale/Car_Video/Car_Rear_View_Camera/HD_Wireless_Rear_View_Car_Camera_-_2x_LEDs_170_Degree_Wide_Viewing_Angle_Weatherproof/>.*
 Wireless Car Rear View Camera, date unknown, [online], [site visited Sep. 16, 2017], Available from Internet, URL: <<http://www.plusbuyer.com/wireless-car-rear-view-camera-2-leds-wide-view-angle-weatherproof-420tv1-p-5813.html>>.*
 Rearview Mirror Camera, date unknown, [online], [site visited Sep. 16, 2017], Available from Internet, URL: <<https://www.cool-mania.com/car-auto/car-cameras/rearview-mirror-camera-dod-rx400w-with-gps-parking-camera>>.*
 Weatherproof Wireless Car Rear View Camera, date unknown, [online], [site visited Sep. 16, 2017], Available from Internet, URL: <<http://www.plusbuyer.com/weatherproof-wireless-car-rear-view-camera-with-170-degree-wide-angle-viewing-p-3282.html>>.*

* cited by examiner

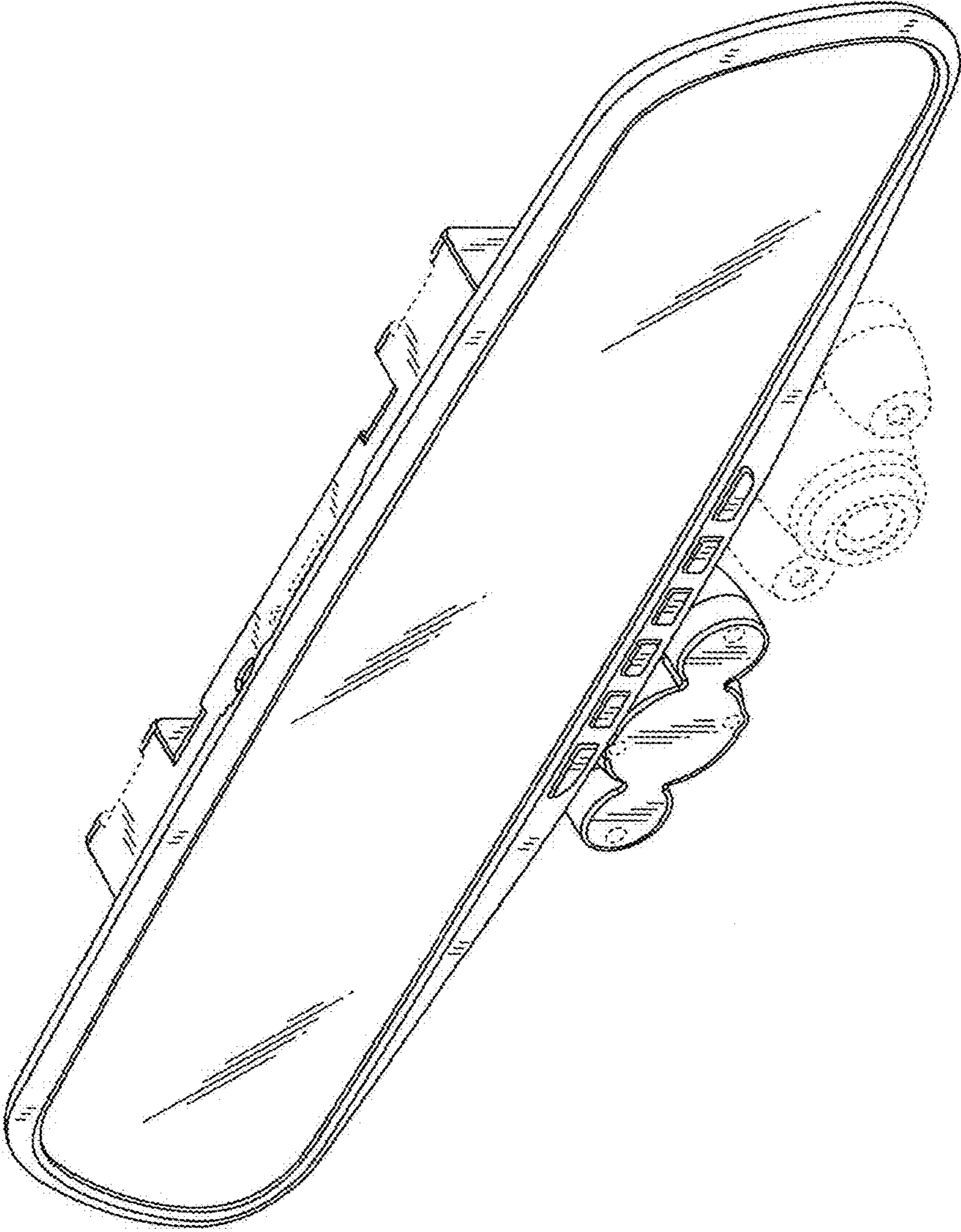


FIG. 1

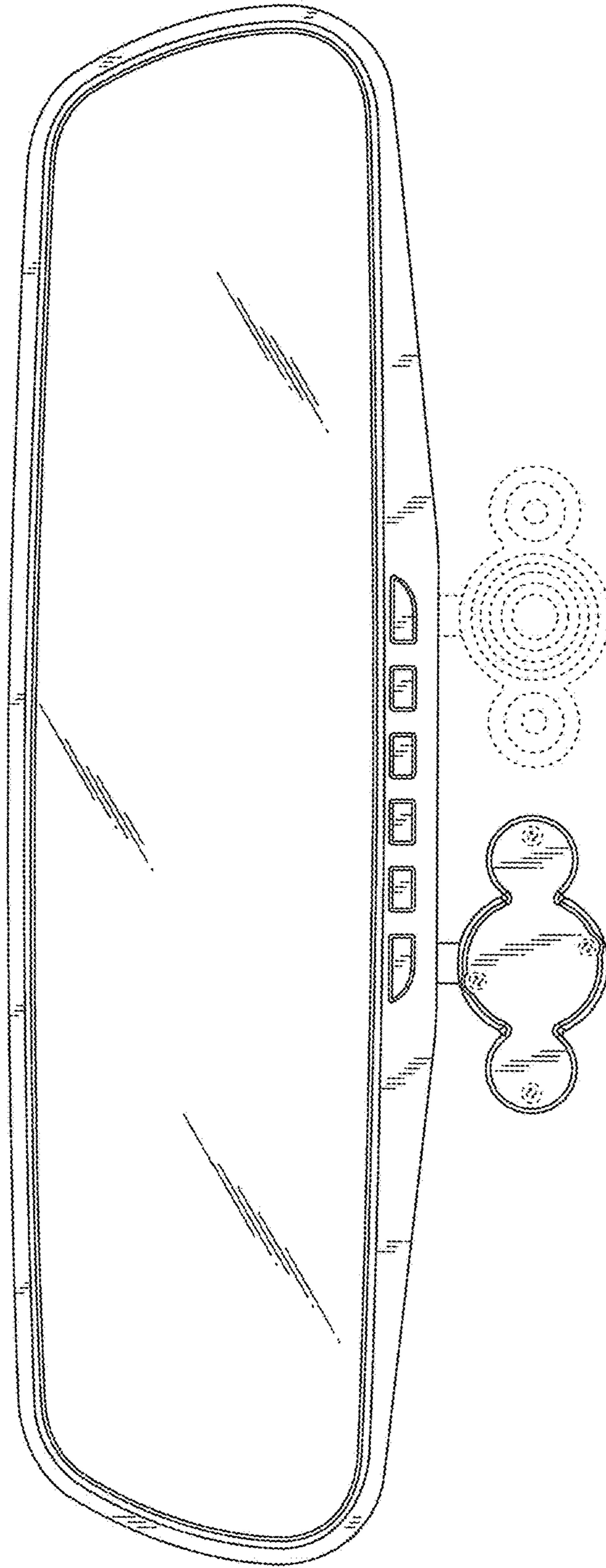


FIG. 2

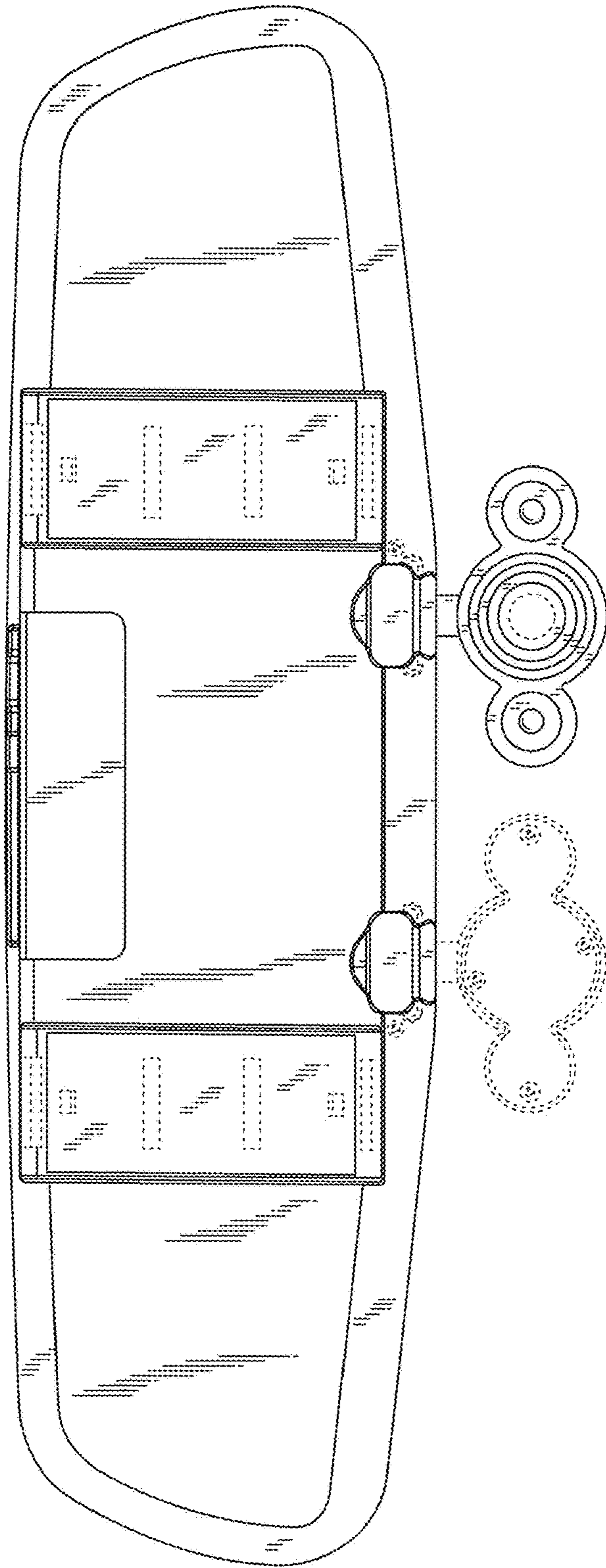


FIG. 3

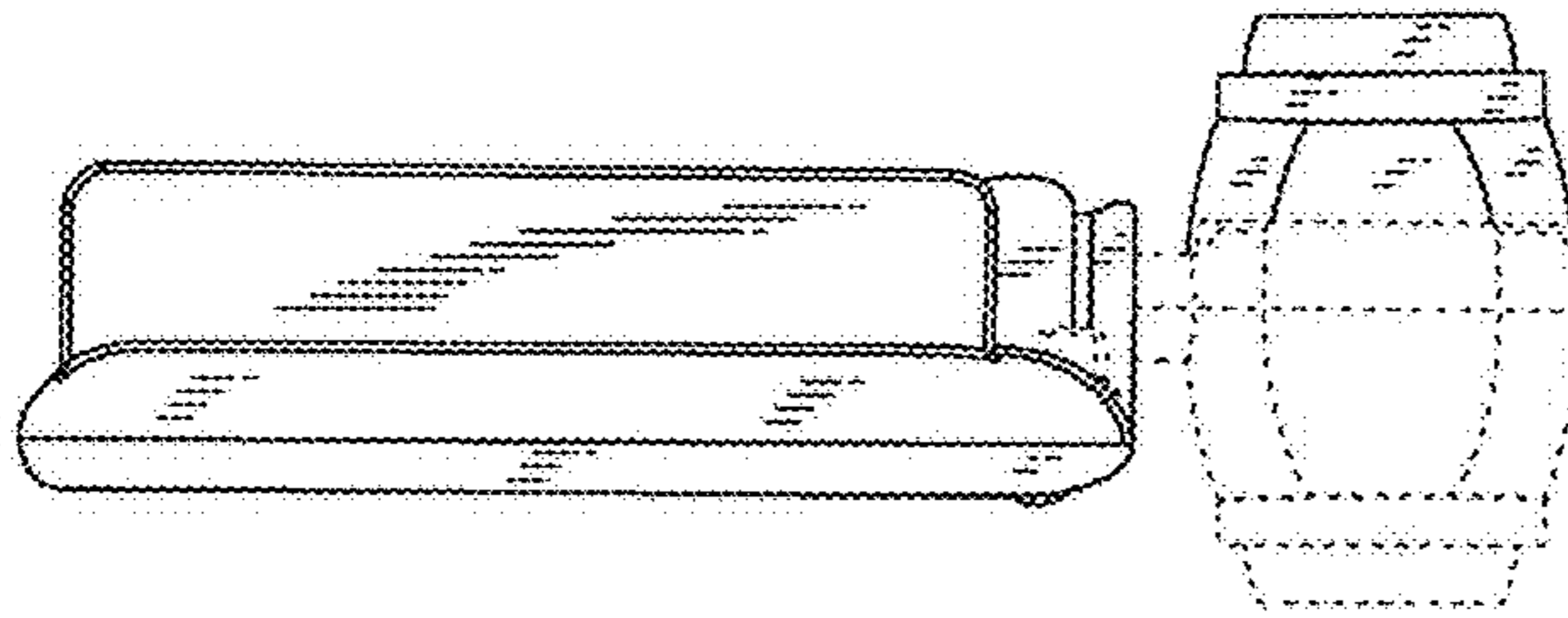


FIG. 5

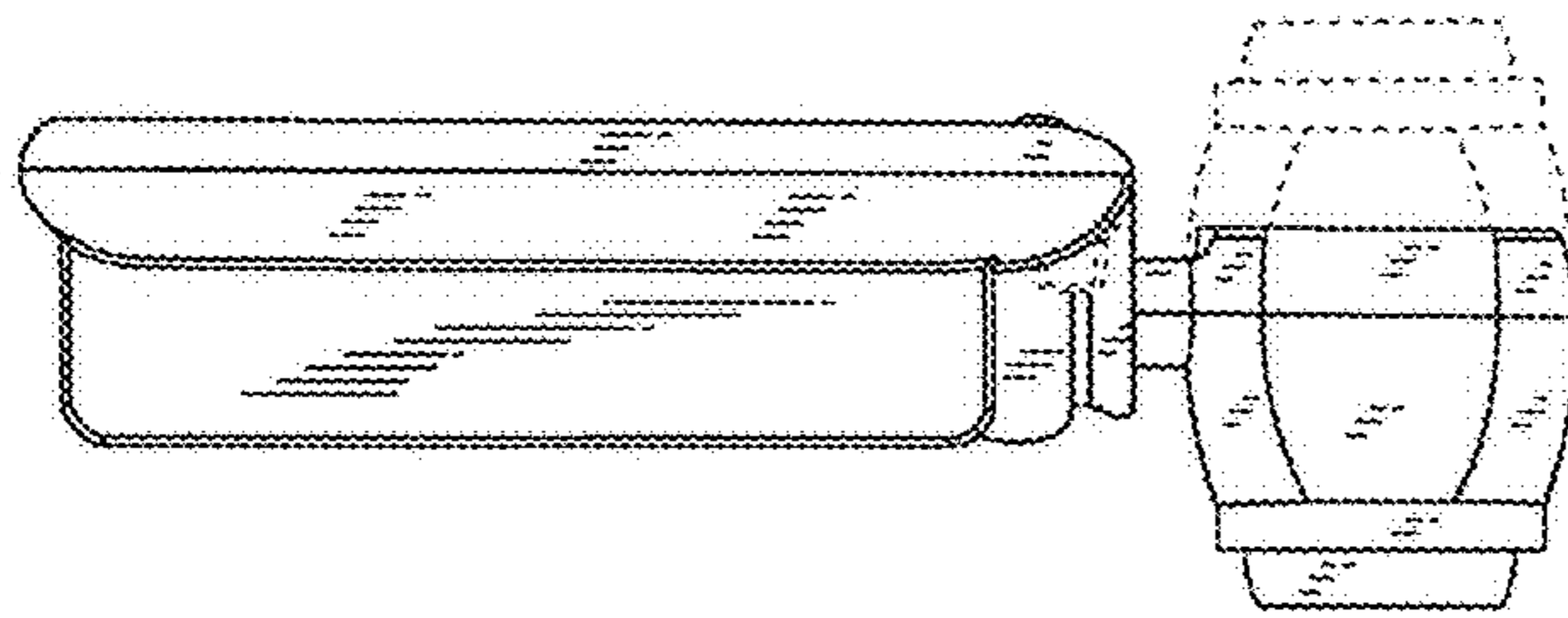


FIG. 4

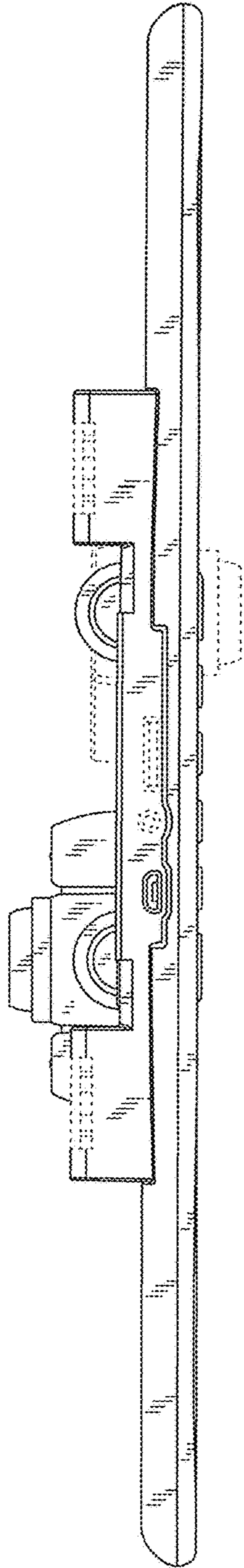


FIG. 6

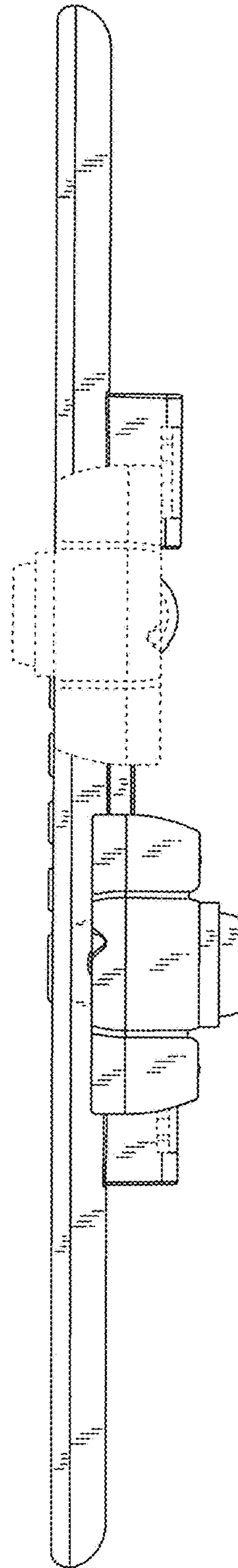


FIG. 7

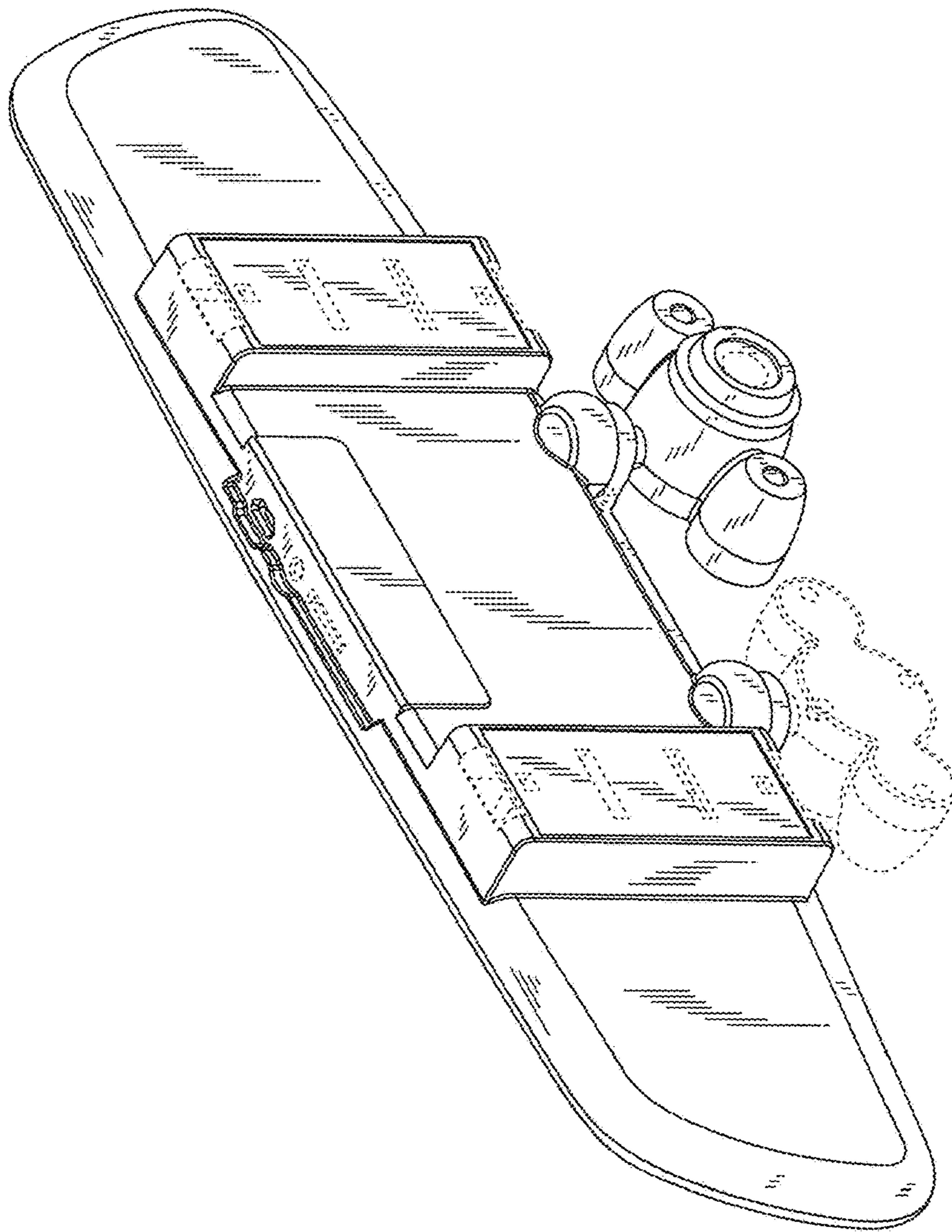


FIG. 8