



US00D834467S

(12) **United States Design Patent** (10) **Patent No.:** **US D834,467 S**
Kanai (45) **Date of Patent:** **** Nov. 27, 2018**

(54) **GRILL FOR AN AUTOMOBILE**
(71) Applicant: **HONDA MOTOR CO., LTD.**, Tokyo (JP)
(72) Inventor: **Norishige Kanai**, Wako (JP)
(73) Assignee: **HONDA MOTOR CO., LTD.**, Tokyo (JP)
(**) Term: **15 Years**
(21) Appl. No.: **29/602,223**
(22) Filed: **Apr. 28, 2017**
(30) **Foreign Application Priority Data**
Nov. 4, 2016 (JP) 2016-024013
(51) **LOC (11) Cl.** **12-16**
(52) **U.S. Cl.**
USPC **D12/163**
(58) **Field of Classification Search**
USPC D12/86, 88, 90-92, 163, 169, 173, 196
CPC B62B 9/16; B60K 11/08; B60R 19/52
See application file for complete search history.

(56) **References Cited**
U.S. PATENT DOCUMENTS
D475,662 S * 6/2003 Koizumi D12/163
D573,924 S * 7/2008 Tachibana D12/163
D599,260 S * 9/2009 Hogios D12/164
D610,052 S * 2/2010 Watanabe D12/163
D651,142 S * 12/2011 Fushimi D12/163
D682,752 S * 5/2013 Yoshida D12/163
D682,753 S * 5/2013 Yoshida D12/163
D684,895 S * 6/2013 Wang D12/91

D692,803 S * 11/2013 Nakahara D12/163
D777,605 S * 1/2017 Ferlazzo D12/92
D789,841 S * 6/2017 Malczewski D12/163
D797,016 S * 9/2017 Minami D12/163
D797,614 S * 9/2017 Lee D12/163
D804,996 S * 12/2017 Sahara D12/91
D805,966 S * 12/2017 Perkins D12/163
D808,316 S * 1/2018 Piscitelli D12/190
D818,893 S * 5/2018 Kim B62D 25/08
D12/163
D821,271 S * 6/2018 Minami B60R 19/52
D12/163
2007/0182174 A1 * 8/2007 Nakayama B60R 19/52
293/115
2017/0368727 A1 * 12/2017 Brown B62D 25/08

* cited by examiner

Primary Examiner — Holly H Baynham
Assistant Examiner — Rachel A Voorhies
(74) *Attorney, Agent, or Firm* — Westerman, Hattori, Daniels & Adrian, LLP

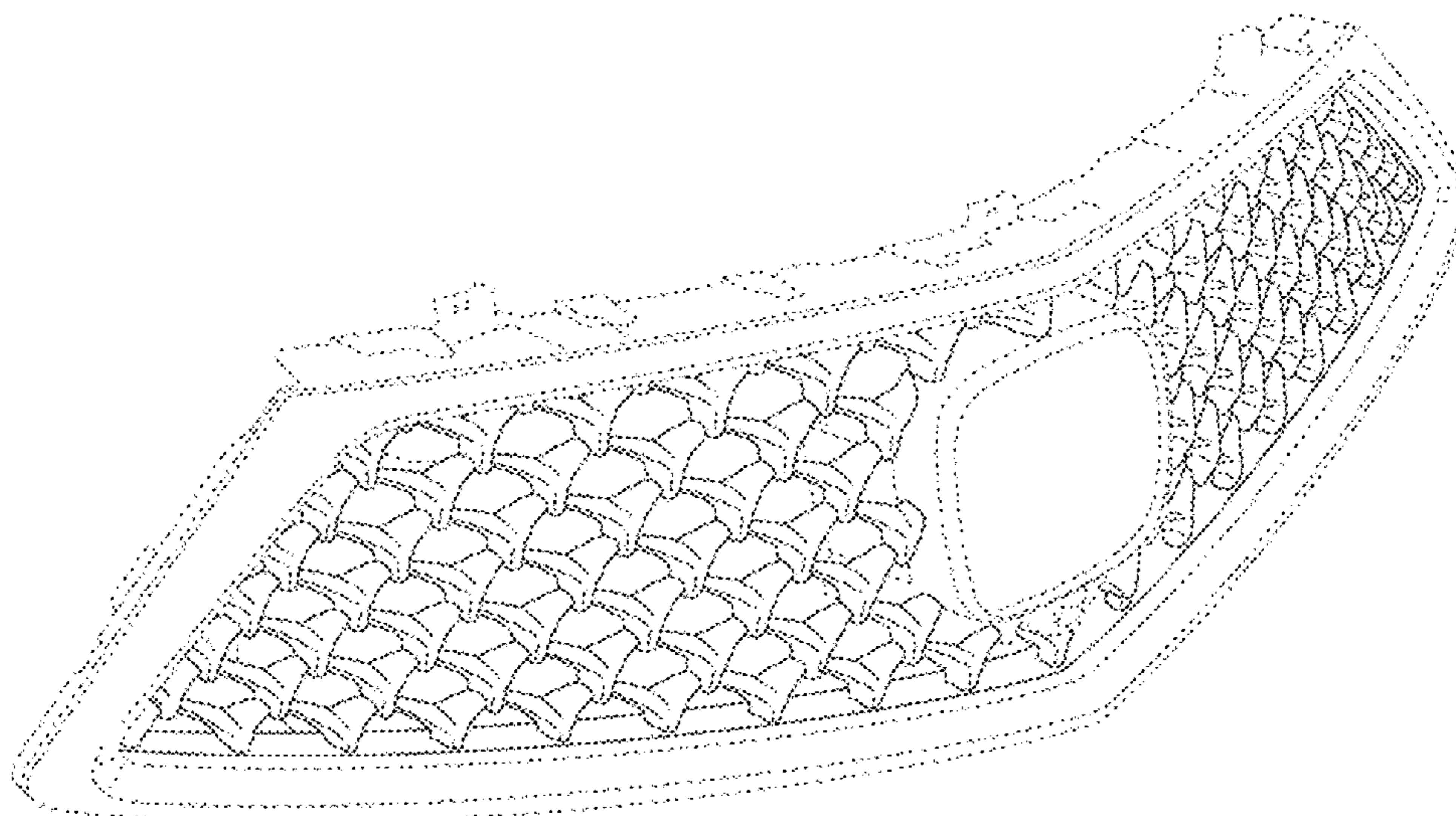
(57) **CLAIM**

The ornamental design for a grill for an automobile, as shown and described herein.

DESCRIPTION

FIG. 1 is a front side perspective view of a grill for an automobile;
FIG. 2 is a front view thereof;
FIG. 3 is a top plan view thereof;
FIG. 4 is a left side view thereof; and,
FIG. 5 is a right side view thereof.
The broken lines in the drawings illustrate portions of the grill for an automobile that form no part of the claimed design.

1 Claim, 5 Drawing Sheets



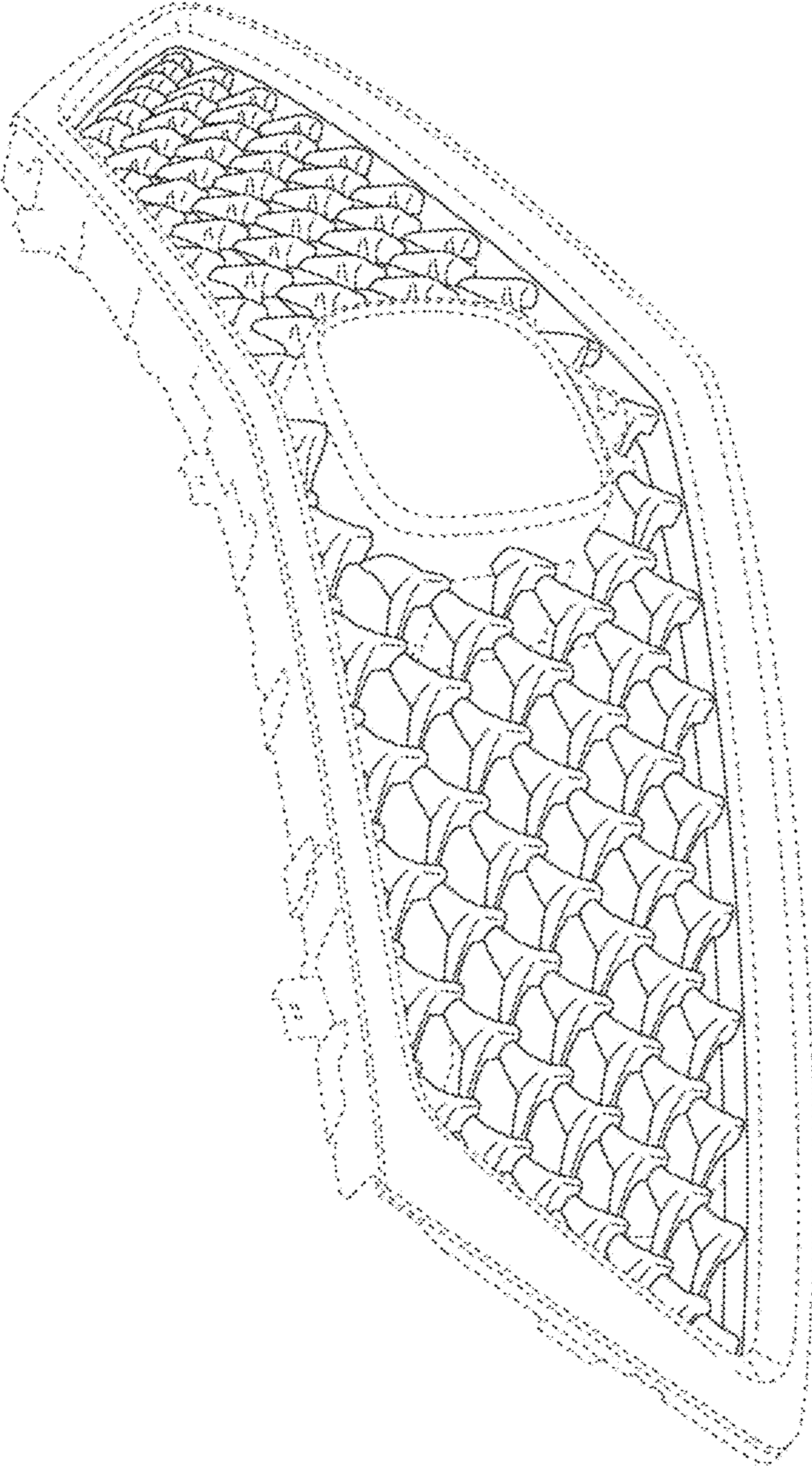


FIG. 1

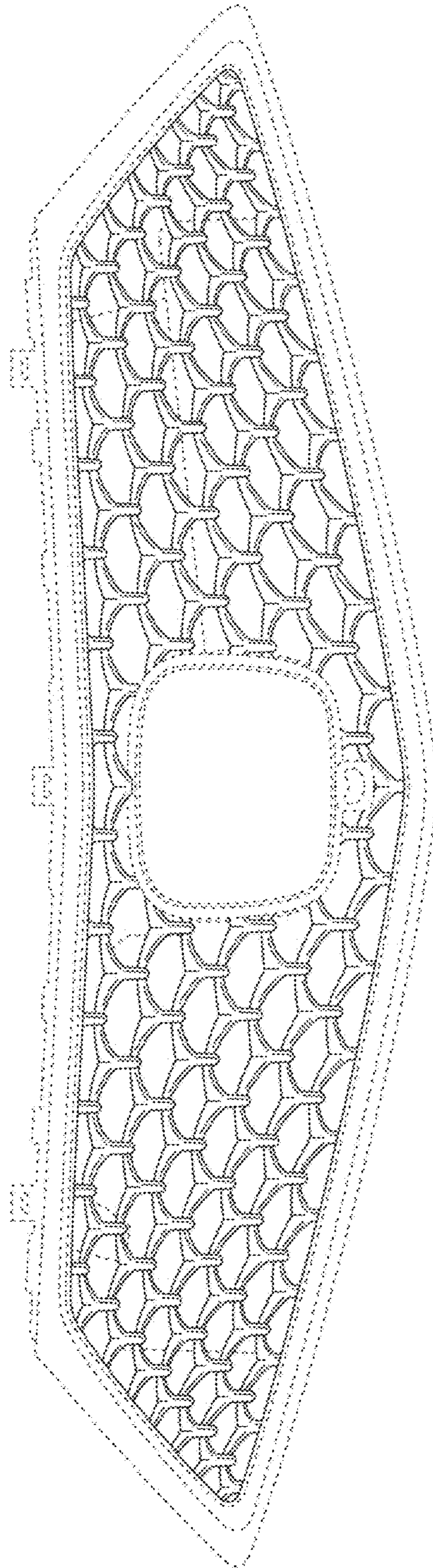


FIG. 2

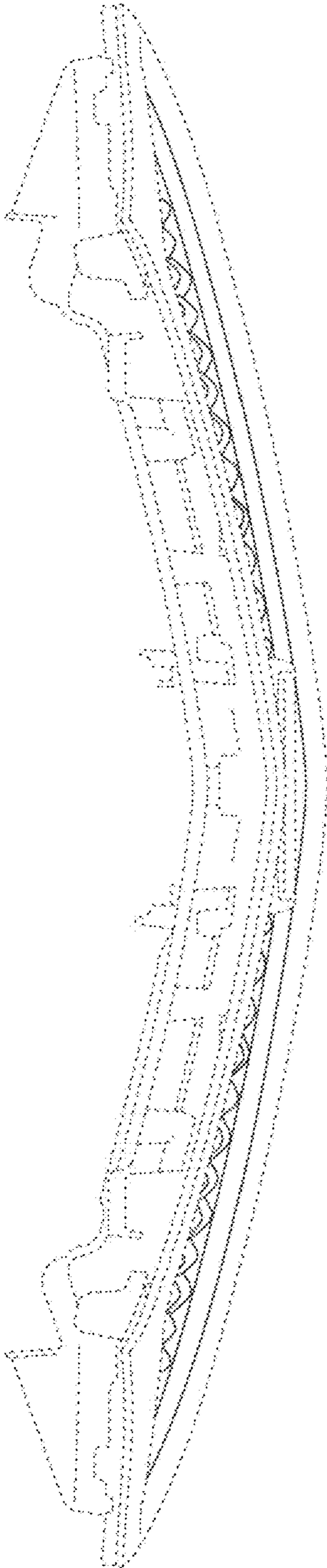


FIG. 3

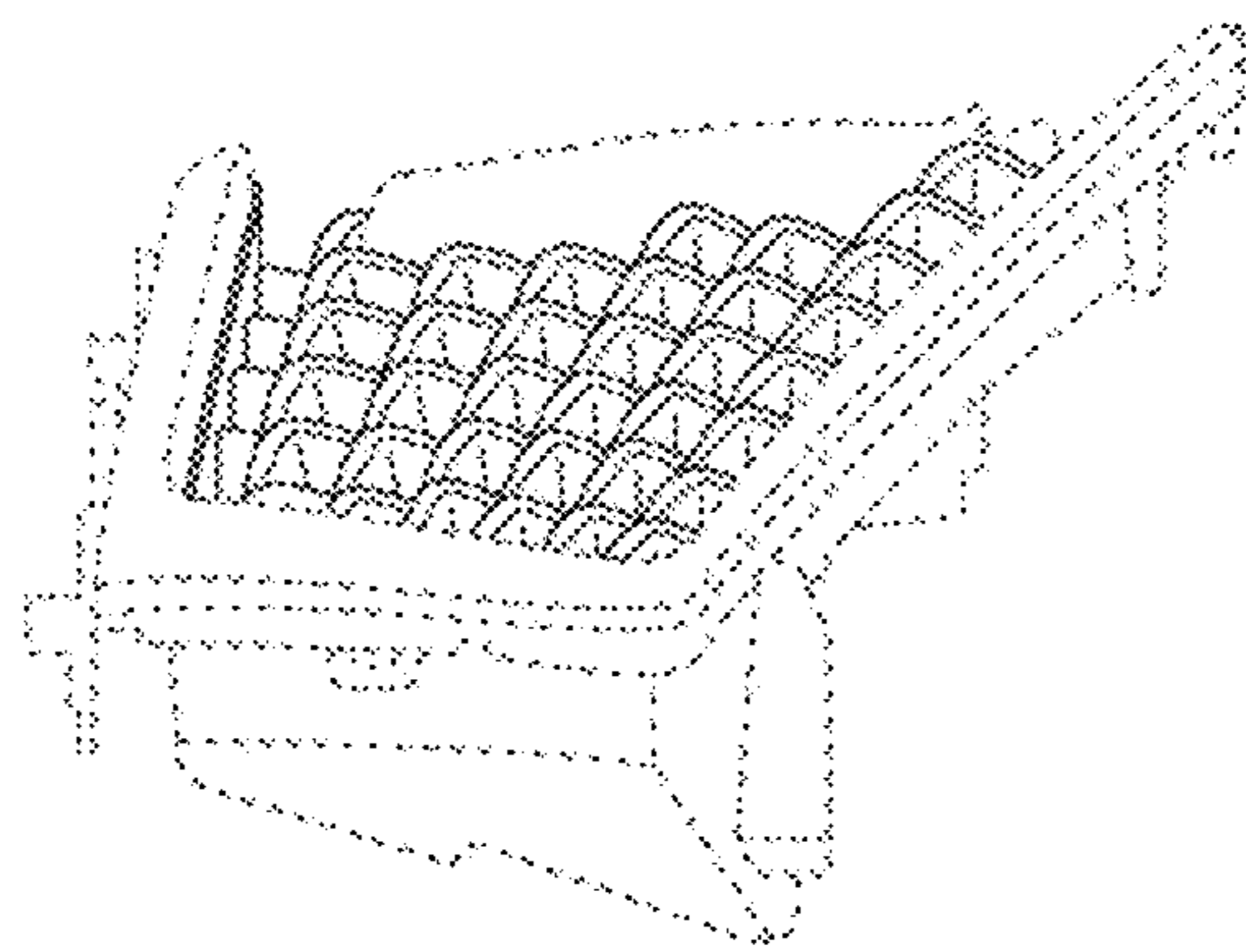


FIG. 4

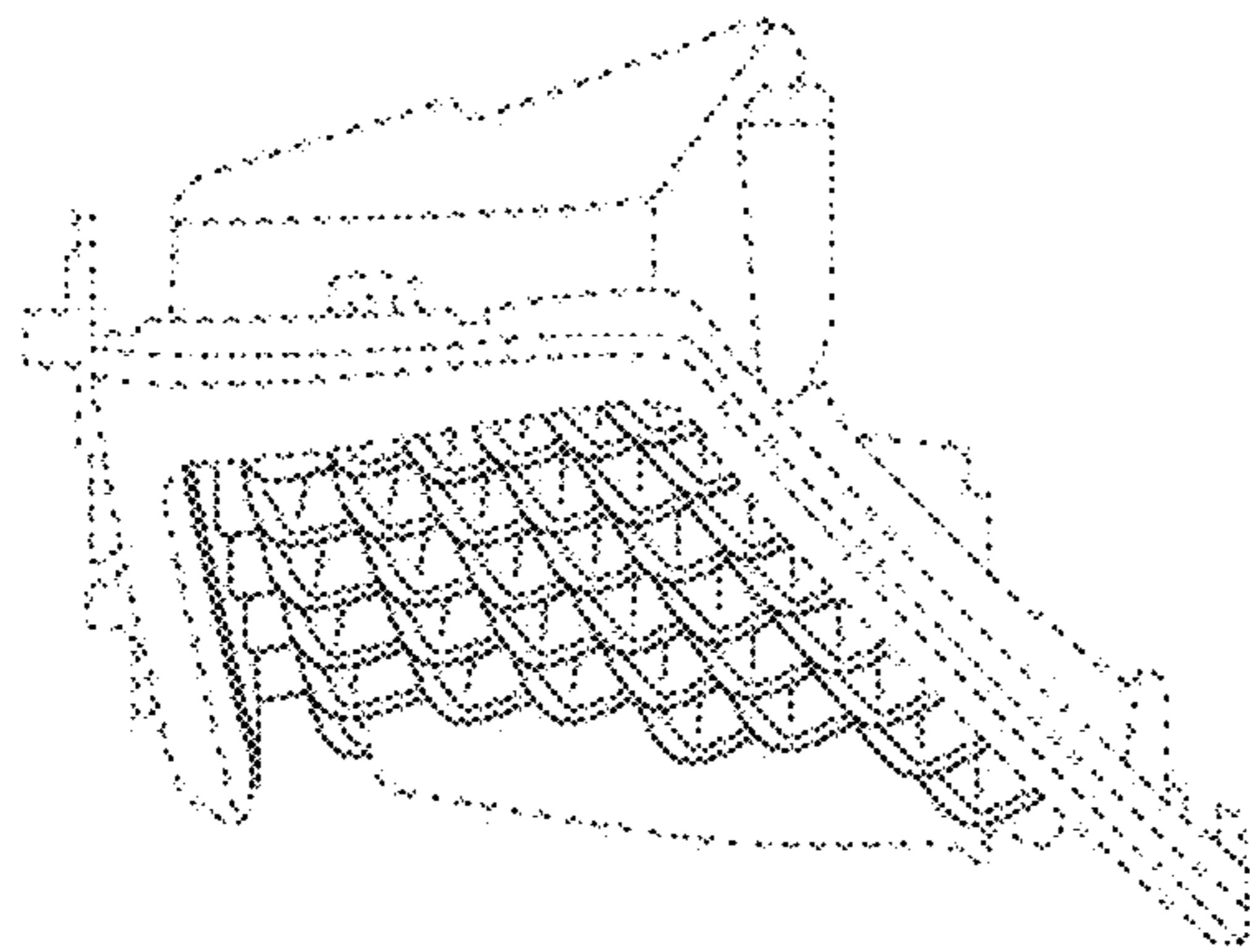


FIG. 5