



US00D834464S

(12) **United States Design Patent**
Cincunegui

(10) **Patent No.:** **US D834,464 S**

(45) **Date of Patent:** **** Nov. 27, 2018**

(54) **HITCH WITH SELECTIVE TOW BALL**

(71) Applicant: **Joshua Cincunegui**, Tampa, FL (US)

(72) Inventor: **Joshua Cincunegui**, Tampa, FL (US)

(**) Term: **15 Years**

(21) Appl. No.: **29/618,536**

(22) Filed: **Sep. 21, 2017**

(51) **LOC (11) Cl.** **12-16**

(52) **U.S. Cl.**
USPC **D12/162**

(58) **Field of Classification Search**
USPC D12/159, 160, 161, 162, 400
CPC ... B60D 1/02; B60D 1/06; B60D 1/07; B60D
1/065

See application file for complete search history.

(56) **References Cited**

U.S. PATENT DOCUMENTS

5,265,899	A *	11/1993	Harrison	B60D 1/07 280/416.1
5,725,229	A	3/1998	McWethy		
5,890,727	A	4/1999	May		
D409,124	S *	5/1999	Bank	D12/162
6,789,815	B2 *	9/2004	Moss	B60D 1/06 280/416.1
7,021,643	B1 *	4/2006	Buchanan	B60D 1/06 280/416.1
7,044,494	B1	5/2006	Cowett		
D553,058	S *	10/2007	Chen	D12/162
8,366,133	B2	2/2013	Brinkley		
8,684,389	B2	4/2014	Gries		
8,979,112	B2 *	3/2015	Weipert	B60D 1/07 280/490.1

D729,703	S *	5/2015	Song	D12/162
9,457,631	B1 *	10/2016	Kennemer	B60D 1/07
2002/0113405	A1 *	8/2002	Moss	B60D 1/07 280/416.1
2003/0052472	A1 *	3/2003	Moss	B60D 1/06 280/415.1
2009/0039619	A1 *	2/2009	Gries	B60D 1/02 280/511
2010/0127479	A1 *	5/2010	Weipert	B60D 1/07 280/491.1
2018/0079266	A1 *	3/2018	Cincunegui	B60D 1/065

* cited by examiner

Primary Examiner — Karen S Acker

Assistant Examiner — Jerry Shiuan-Hua Hsu

(74) *Attorney, Agent, or Firm* — Global Intellectual Property Agency, LLC; Daniel Boudwin

(57) **CLAIM**

The ornamental design for a hitch with selective tow ball, as shown and described.

DESCRIPTION

FIG. 1 shows a perspective view of the hitch with selective tow ball.

FIG. 2 shows a right side elevation view thereof.

FIG. 3 shows a left side elevation view thereof.

FIG. 4 shows a top elevation view thereof.

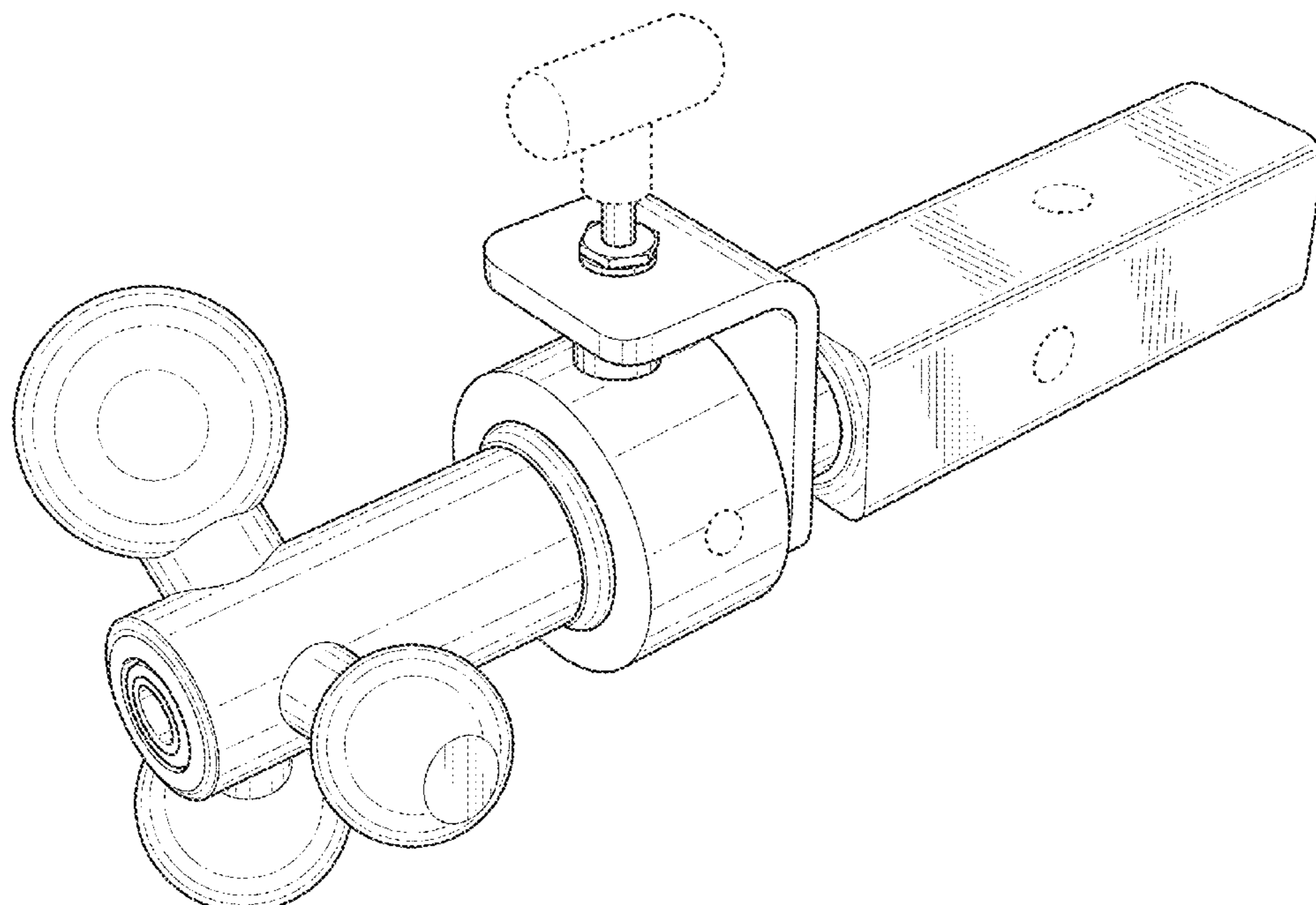
FIG. 5 shows a bottom elevation view thereof.

FIG. 6 shows a front elevation view thereof; and,

FIG. 7 shows a rear elevation view thereof.

The broken lines shown in the drawings illustrate environmental matter that forms no part of the claimed design.

1 Claim, 6 Drawing Sheets



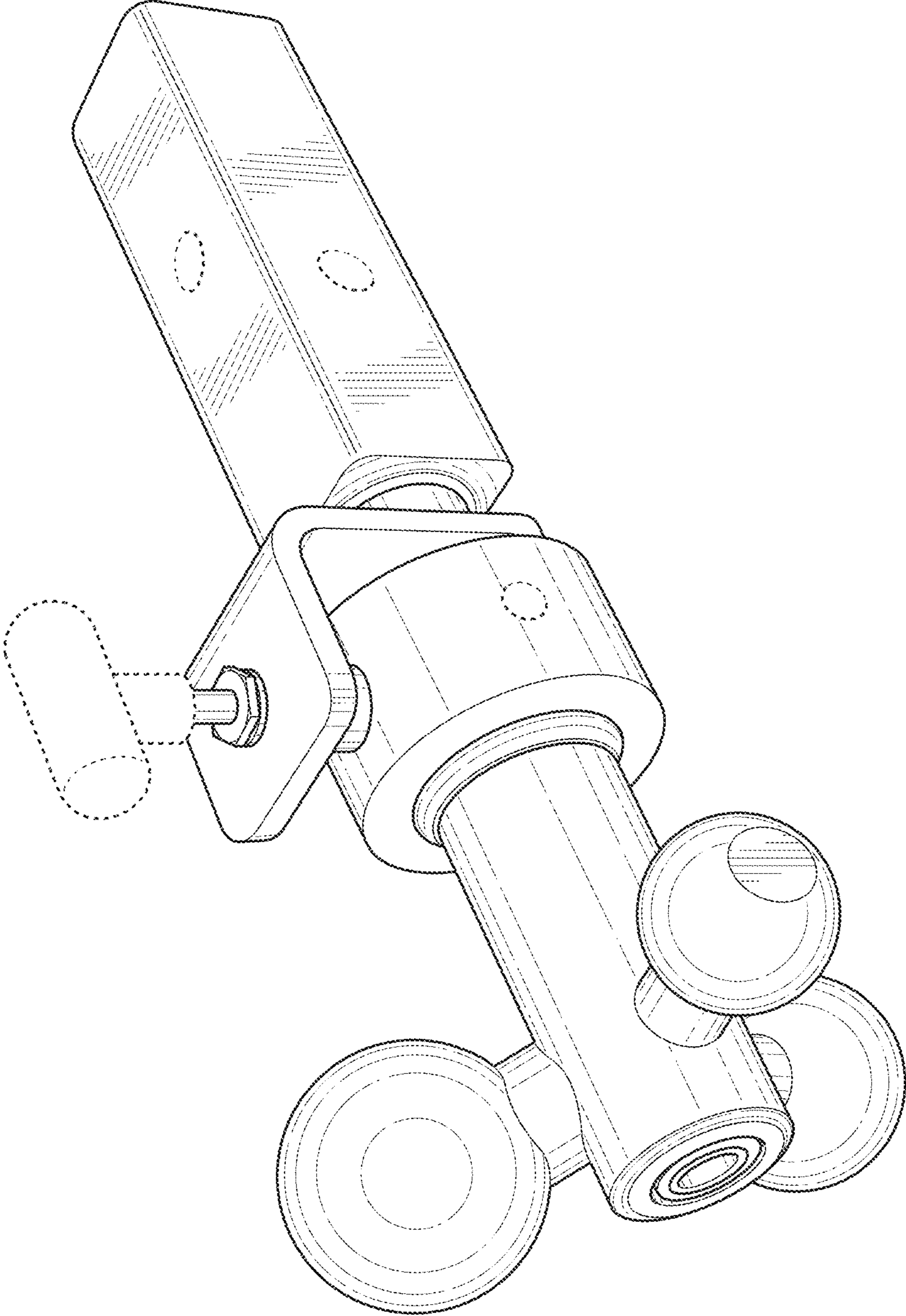


FIG. 1

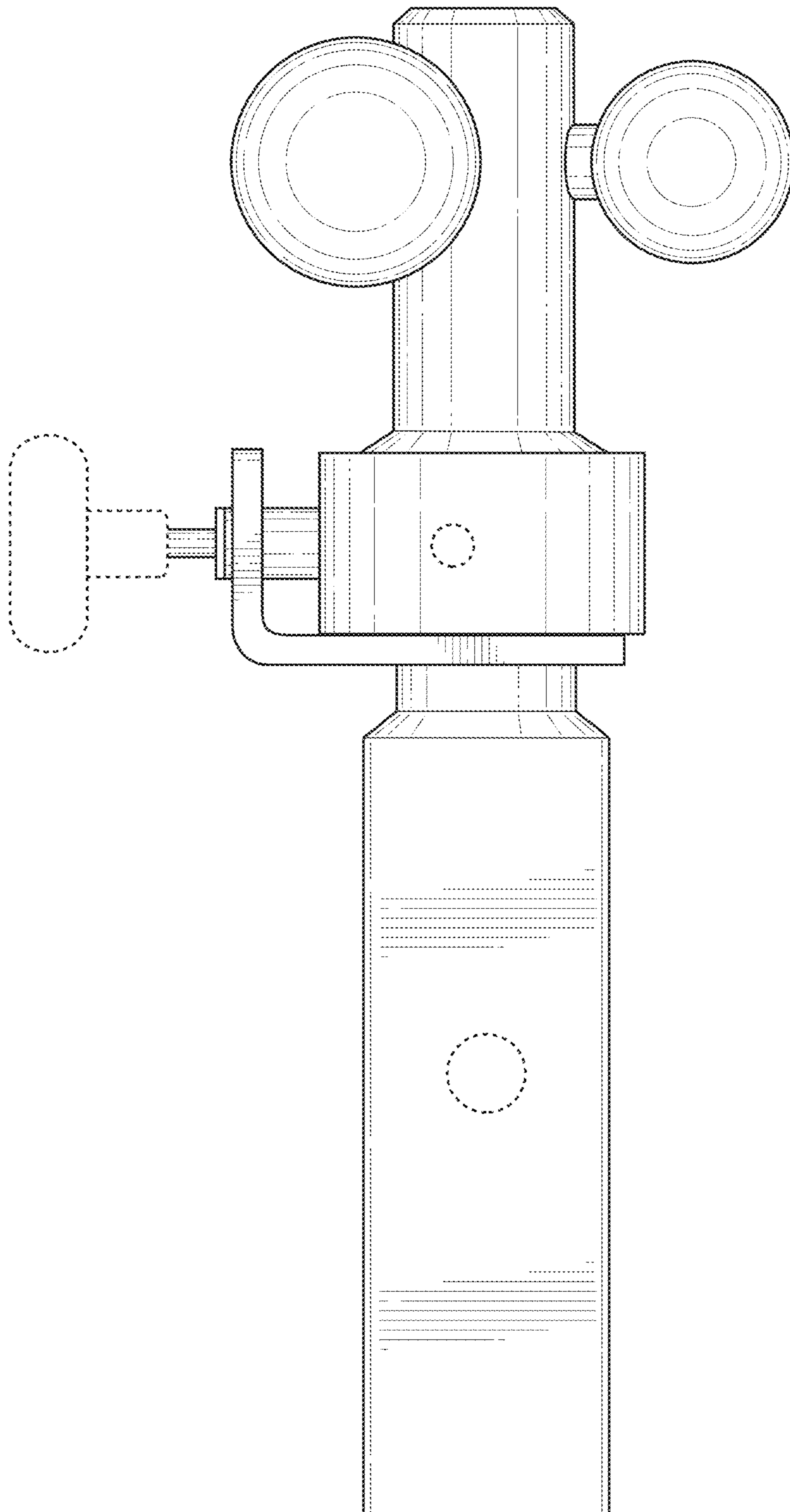


FIG. 2

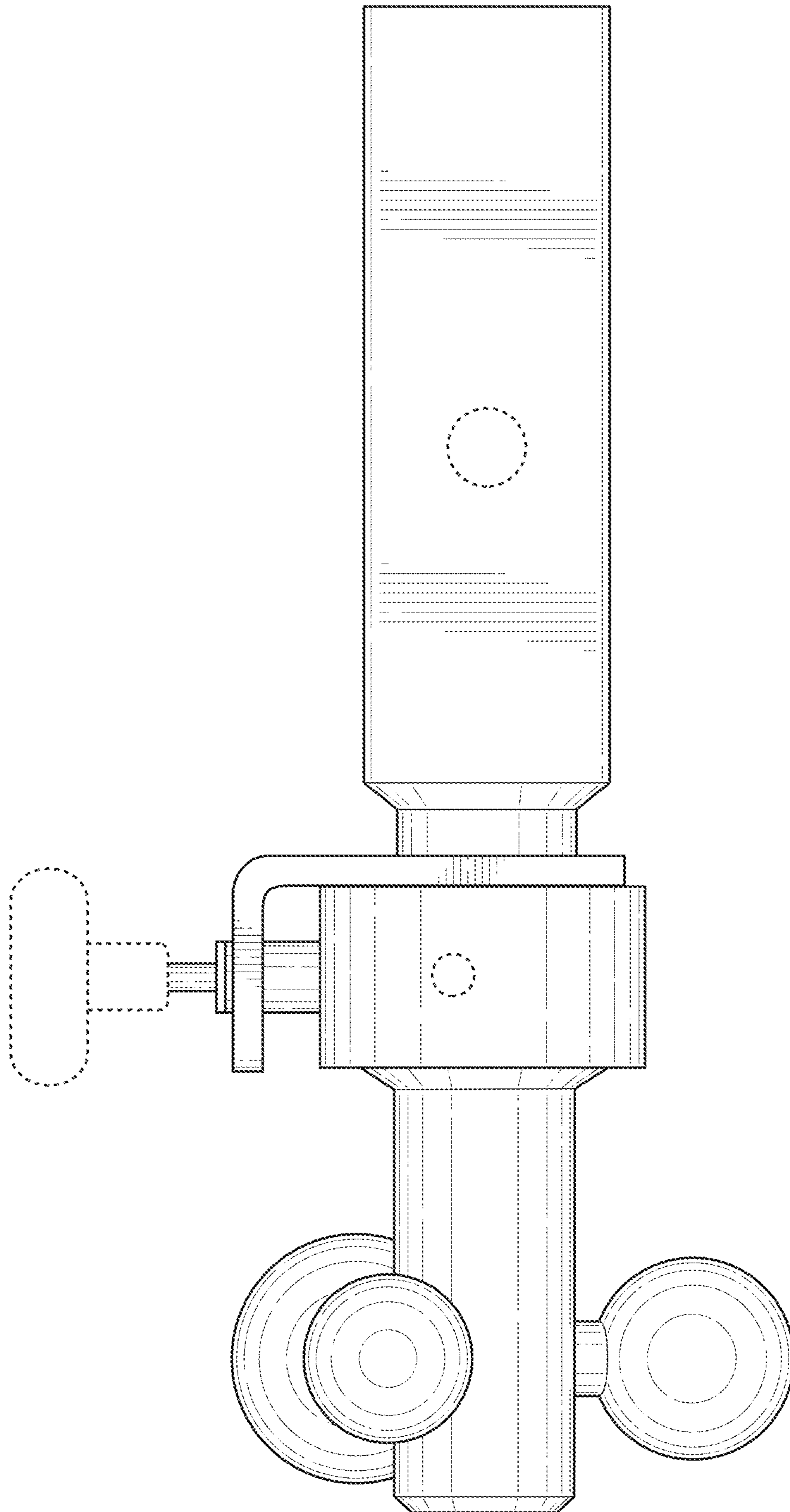


FIG. 3

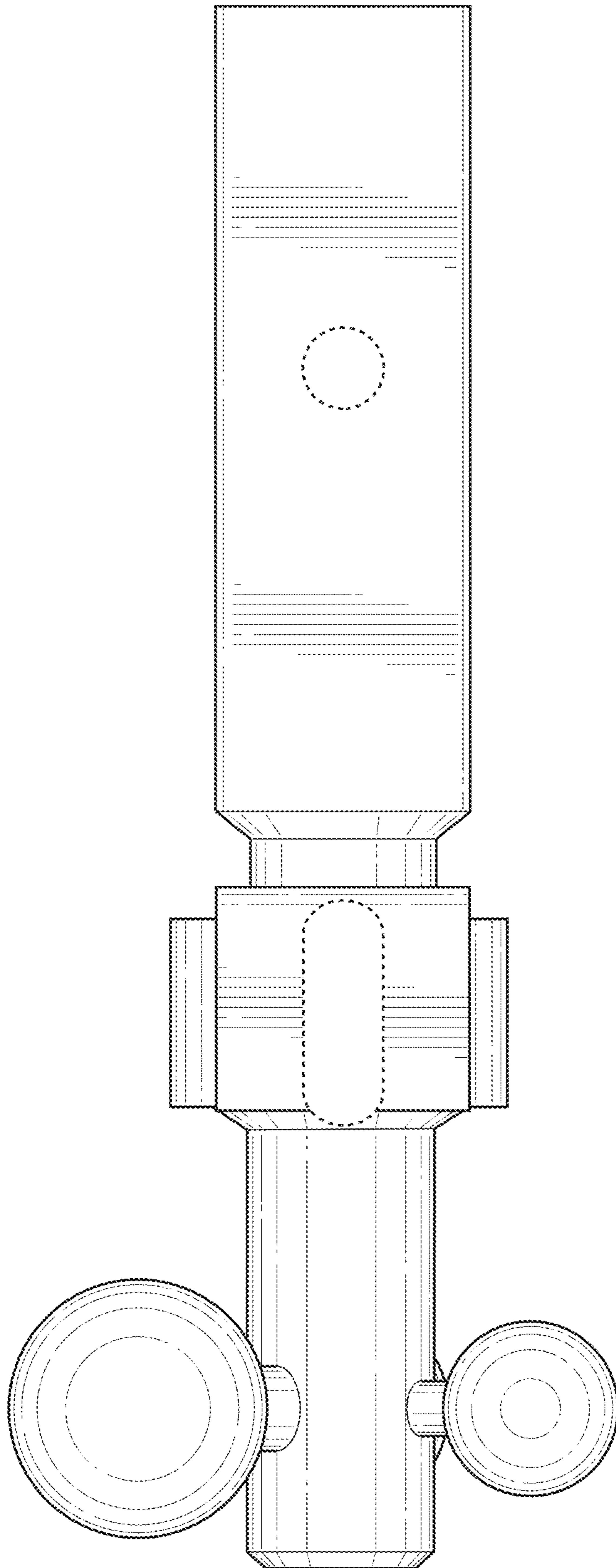


FIG. 4

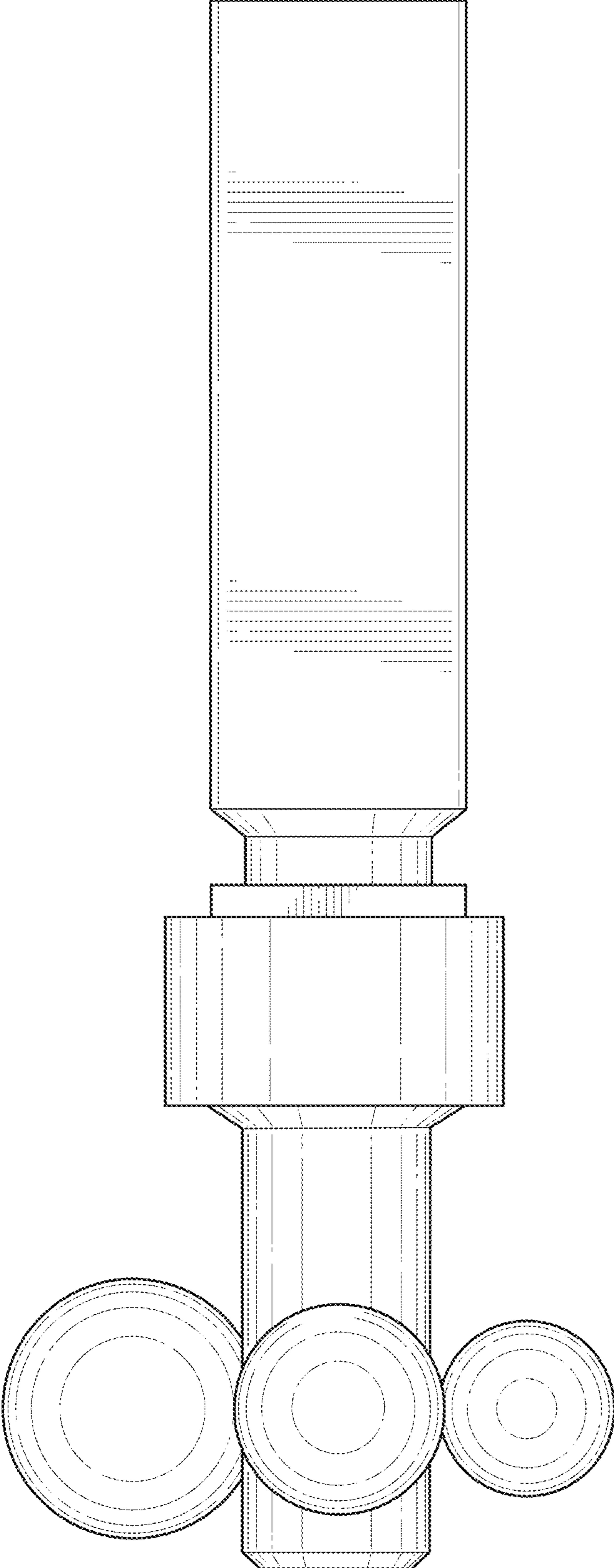


FIG. 5

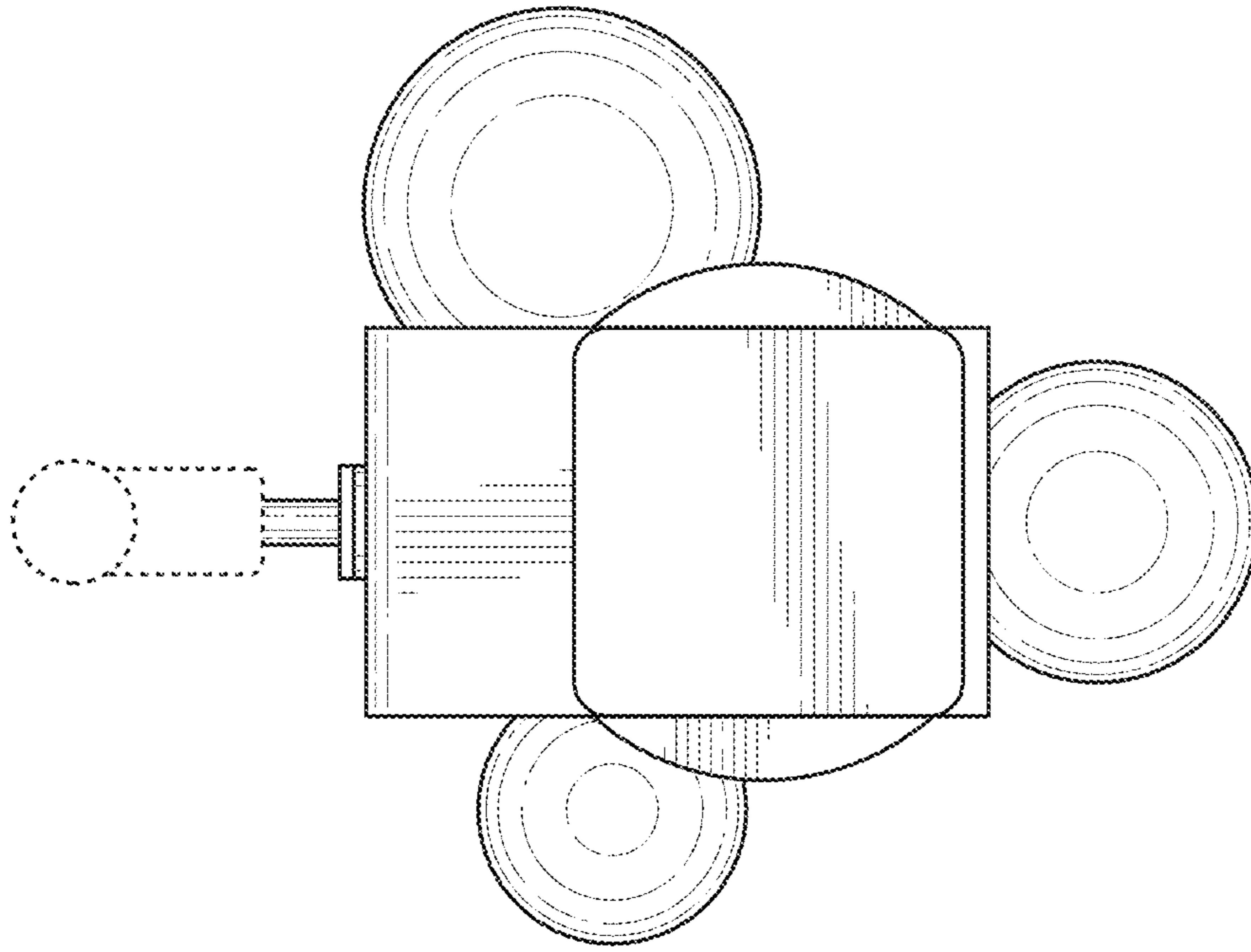


FIG. 7

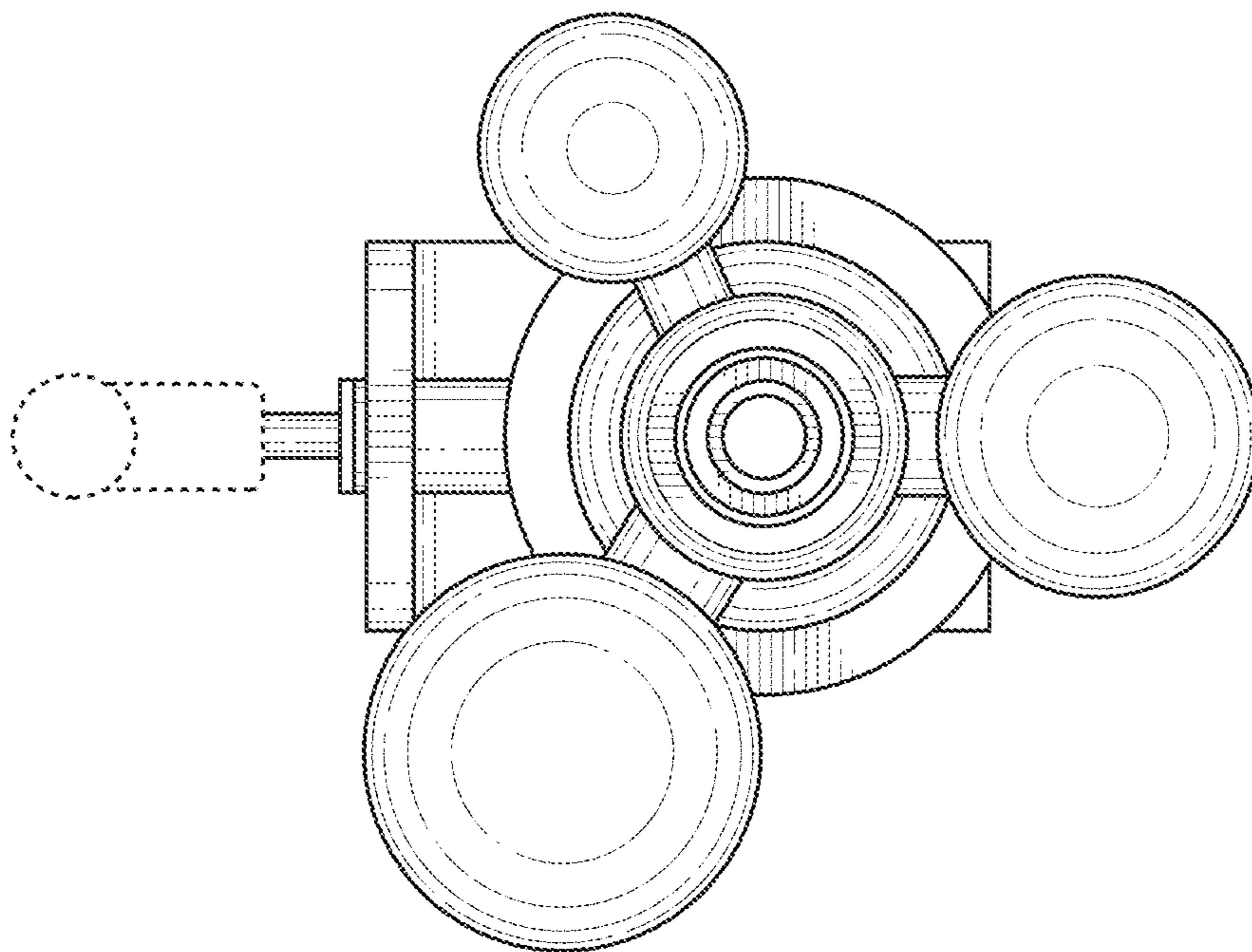


FIG. 6