



US00D834463S

(12) **United States Design Patent**
Brunkhurst

(10) **Patent No.:** **US D834,463 S**

(45) **Date of Patent:** **** Nov. 27, 2018**

(54) **BRACE FOR AN INDEPENDENT REAR SUSPENSION**

(71) Applicant: **Brayton Wayne Brunkhurst**, Lebanon, PA (US)

(72) Inventor: **Brayton Wayne Brunkhurst**, Lebanon, PA (US)

(**) Term: **15 Years**

(21) Appl. No.: **29/606,332**

(22) Filed: **Jun. 2, 2017**

(51) **LOC (11) Cl.** **12-16**

(52) **U.S. Cl.**
USPC **D12/159**; D12/223

(58) **Field of Classification Search**
USPC D12/159-162, 223
CPC B62D 21/00; B62D 23/00
See application file for complete search history.

(56) **References Cited**

U.S. PATENT DOCUMENTS

D223,024 S *	2/1972	Thomas	D12/159
4,634,168 A *	1/1987	Fuchs	B62D 33/00 280/785
D376,751 S *	12/1996	Hanson	D12/162
D385,515 S *	10/1997	Gogan	D12/110
D386,131 S *	11/1997	Gogan	D12/114
D429,208 S *	8/2000	McCoy	D12/223
6,099,038 A *	8/2000	Jurik	B62D 1/195 188/371
D463,251 S *	9/2002	Shea	D8/354
D470,391 S *	2/2003	Adams	D8/349
D472,189 S *	3/2003	McCoy	D12/162
D482,313 S *	11/2003	McCoy	D12/223
D483,656 S *	12/2003	Shea	D8/381
D642,097 S *	7/2011	Schachte	D12/159
D691,459 S *	10/2013	Waugh	D8/354
D707,593 S *	6/2014	Schmidt	D12/162

D729,133 S *	5/2015	McGaughy	D12/159
D731,368 S *	6/2015	Miller	D12/159
D787,916 S *	5/2017	Yuan	D12/223
D789,563 S *	6/2017	Lopez	D25/199
9,783,232 B1 *	10/2017	Auston	B62D 21/00
D823,096 S *	7/2018	Kennelly	D8/354

(Continued)

OTHER PUBLICATIONS

AccuAir Audi B8 Rear Sensor Bracket Kit, posted at Bag Riders Air Suspension, review posting date Nov. 10, 2016. [Site visited Jun. 23, 2018] [Available from internet] URL: <<https://www.bagriders.com/accuair-audi-b8-rear-sensor-bracket-kit.html>> (Year: 2016).*

(Continued)

Primary Examiner — Kevin K Rudzinski

Assistant Examiner — Kathleen L Jones

(74) *Attorney, Agent, or Firm* — Quickpatents, LLC; Kevin Prince

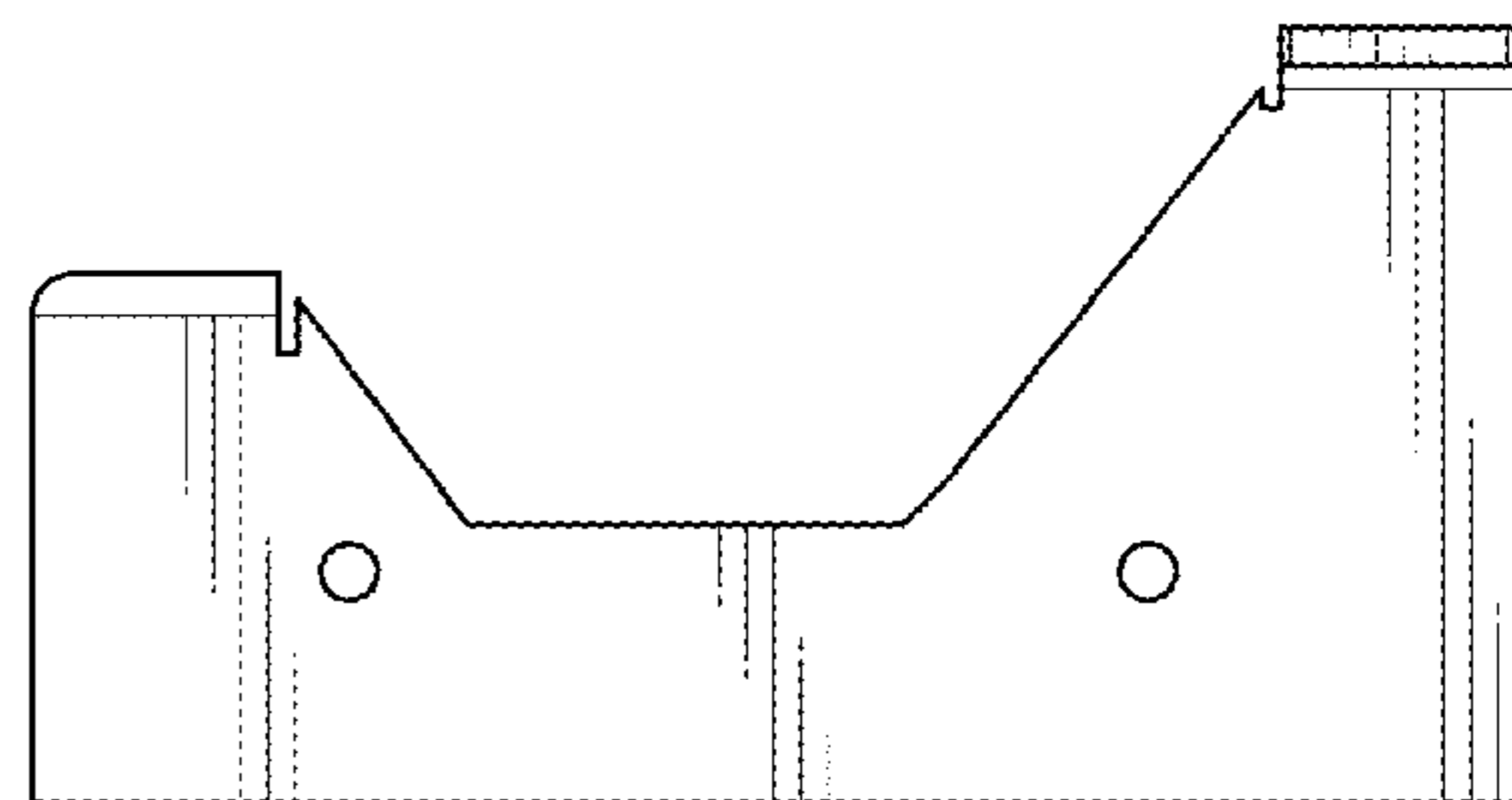
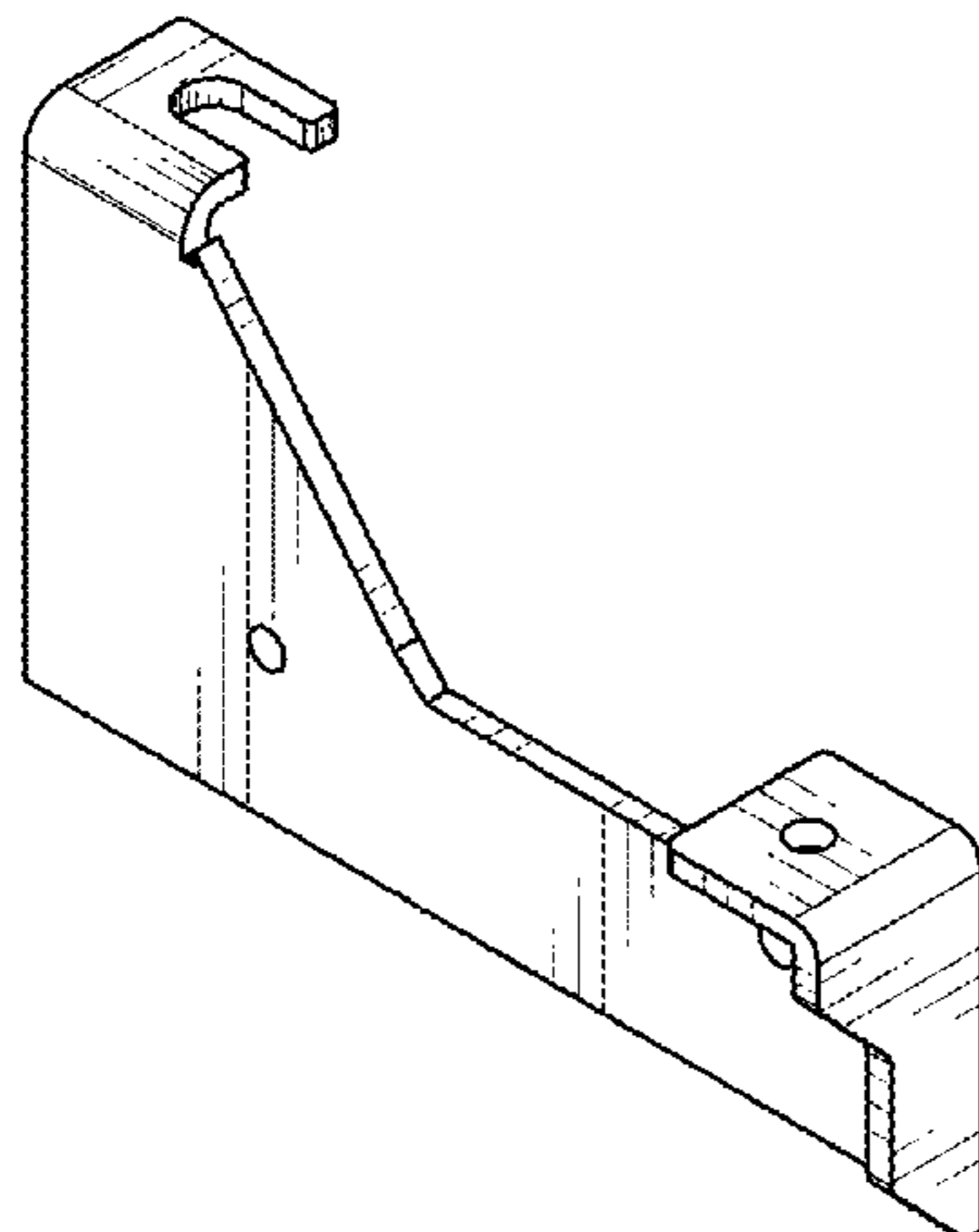
(57) **CLAIM**

I claim the ornamental design for a brace for an independent rear suspension, as shown and described.

DESCRIPTION

FIG. 1 is a bottom perspective view of a brace for an independent rear suspension, showing my new design; FIG. 2 is a top perspective view thereof; FIG. 3 is a left-side elevational view thereof; FIG. 4 is a right-side elevational view thereof; FIG. 5 is a front elevational view thereof; FIG. 6 is a rear elevational view thereof; FIG. 7 is a top plan view thereof; and, FIG. 8 is a bottom plan view thereof. The broken lines showing an independent rear suspension and fasteners in FIG. 1 depict environmental matter and form no part of the claimed design.

1 Claim, 3 Drawing Sheets



(56)

References Cited

U.S. PATENT DOCUMENTS

2007/0267839 A1* 11/2007 Furman B60G 9/003
280/124.147
2011/0290967 A1* 12/2011 Ringenbach E03F 1/00
248/220.1
2018/0186206 A1* 7/2018 Wilson B60G 11/10
2018/0251053 A1* 9/2018 Kemp B60N 2/502

OTHER PUBLICATIONS

Front Radius Arm Bracket, posted at Bits4Landys, posting date Feb. 15, 2017. [Site visited Jun. 23, 2018] [Available from internet] URL: <<https://www.bits4landys.co.uk/defender/chassis/front-radius-arm-bracket-rh.htm>> (Year: 2017).*

Jeep TJ Frame Front Upper Control Arm Bracket, posted at Barnes 4WD, posting date not available. [Site visited Jun. 23, 2018] [Available from internet] URL: <http://www.barnes4wd.com/Jeep-TJ-Frame-Front-Upper-Control-Arm-Bracket_p_747.html>.*

* cited by examiner

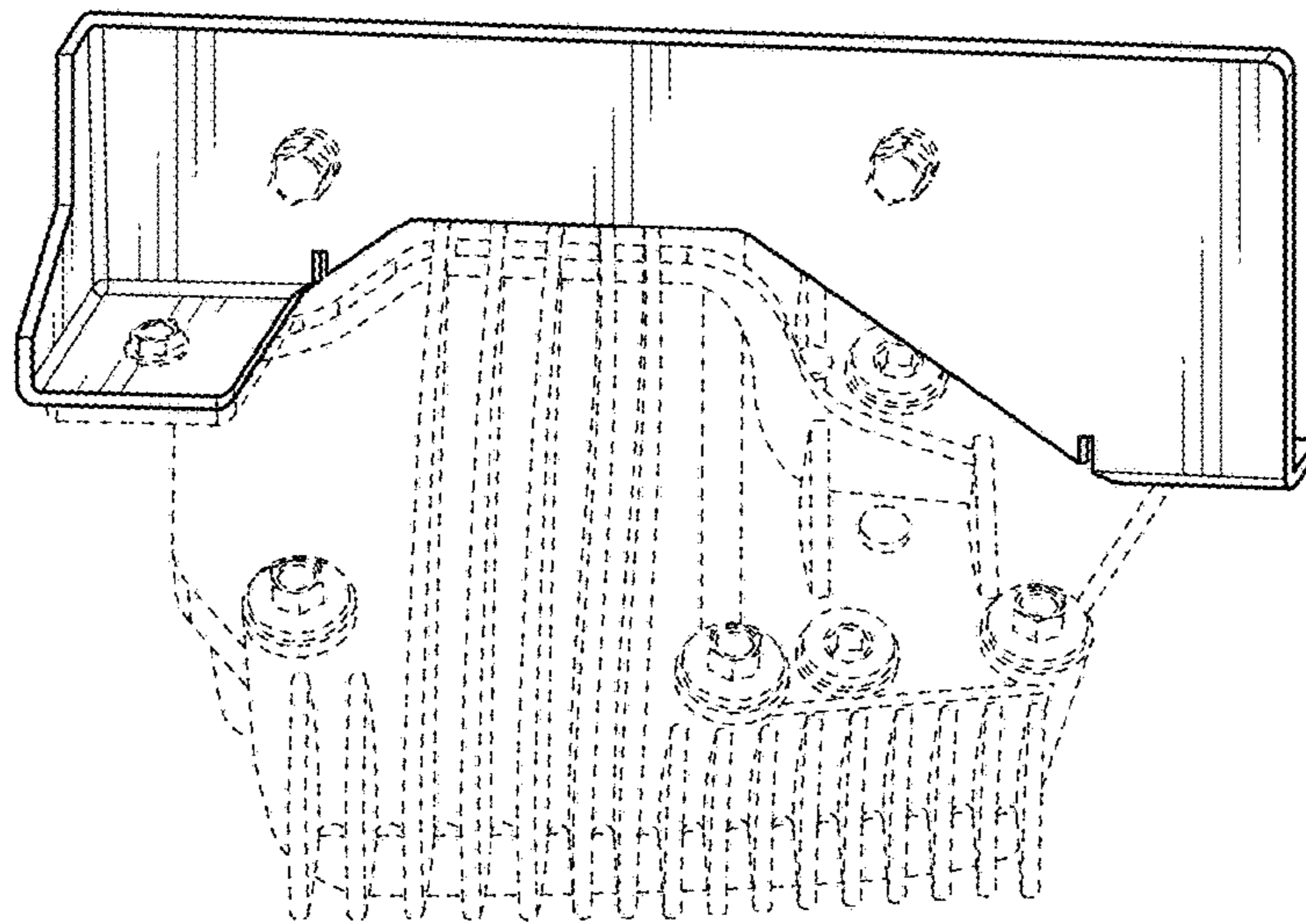


FIG. 1

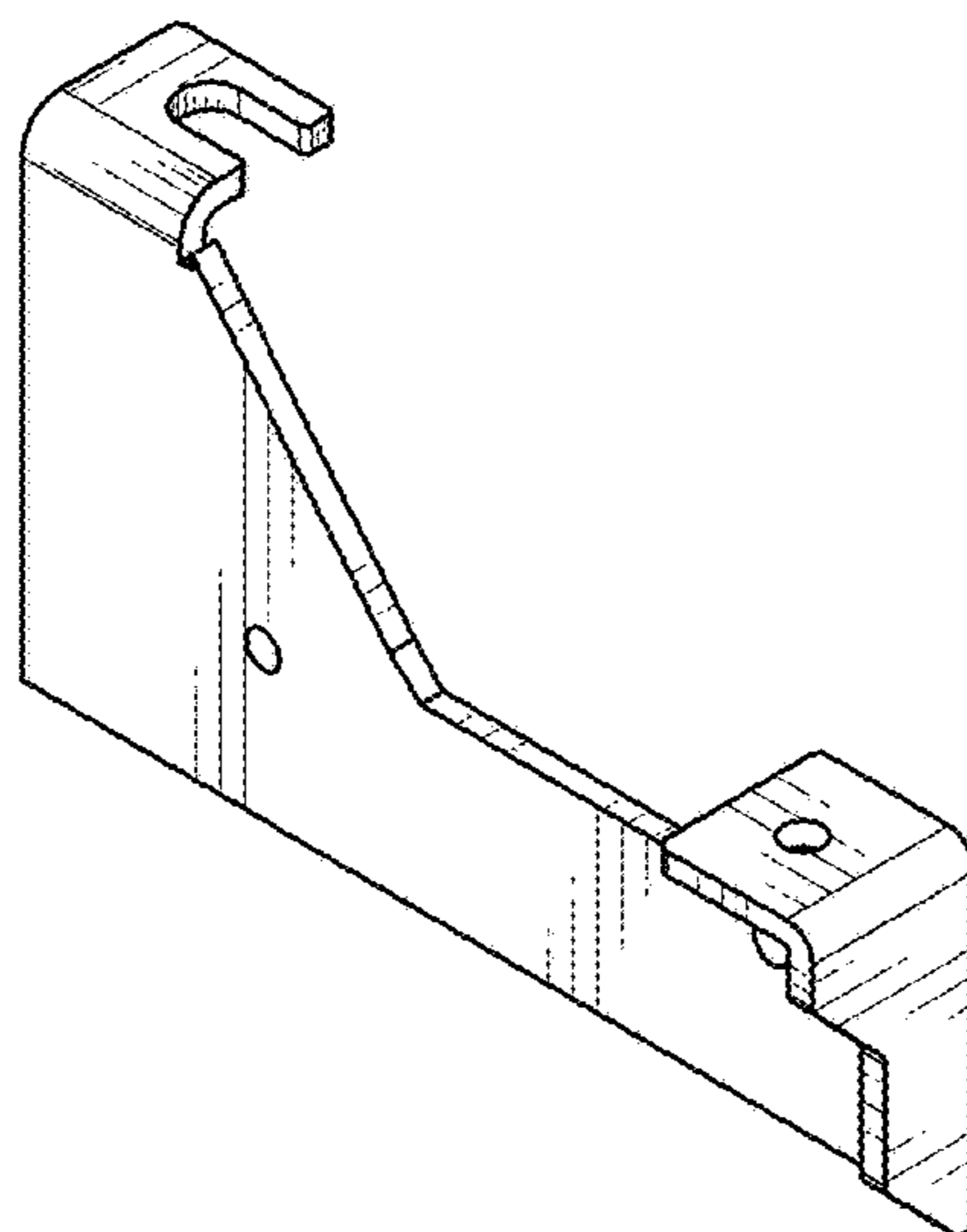


FIG. 2

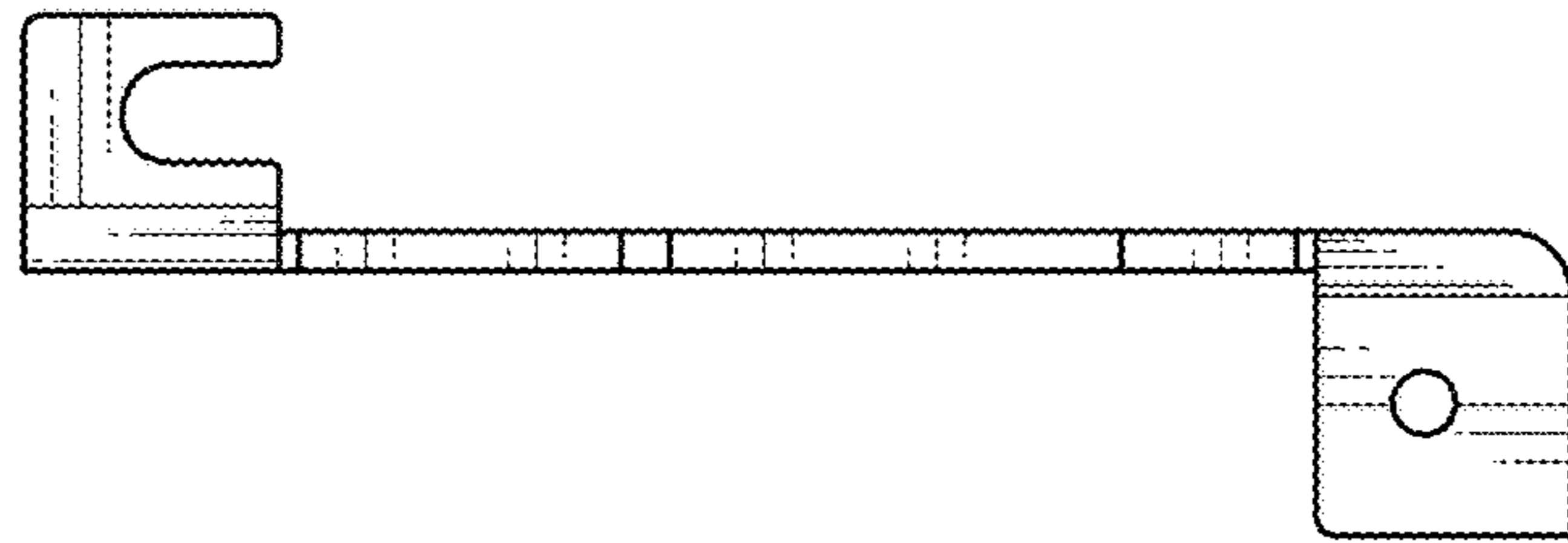


FIG. 3

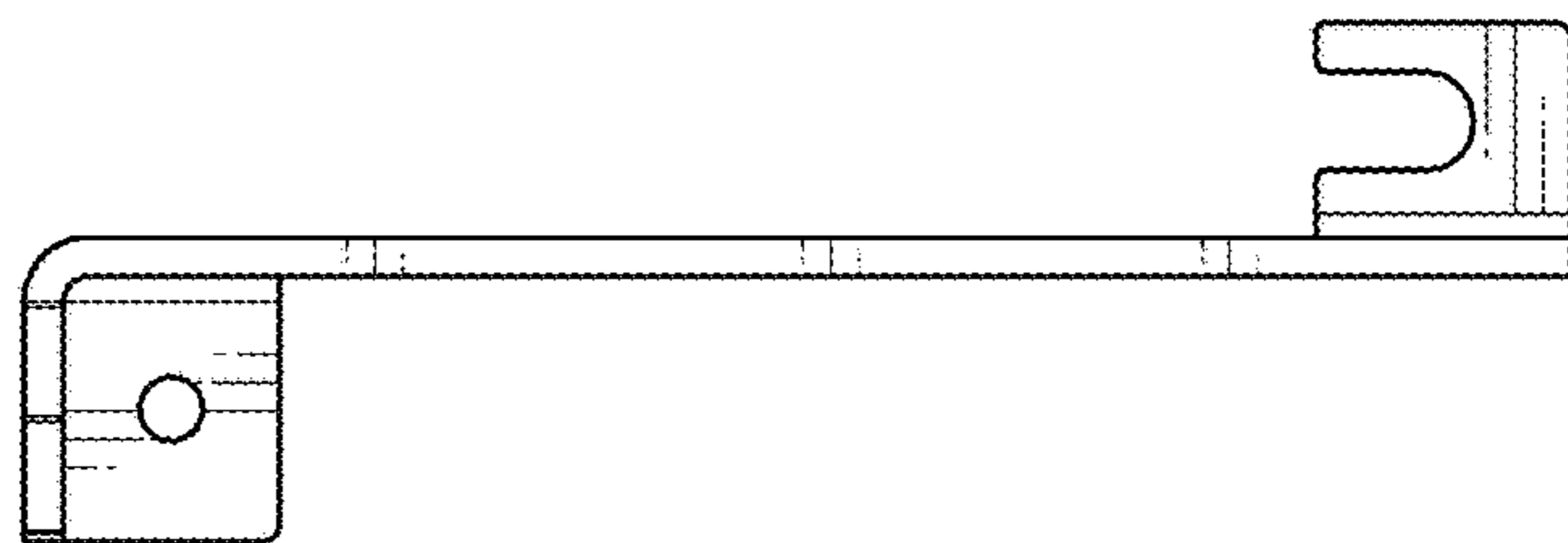


FIG. 4

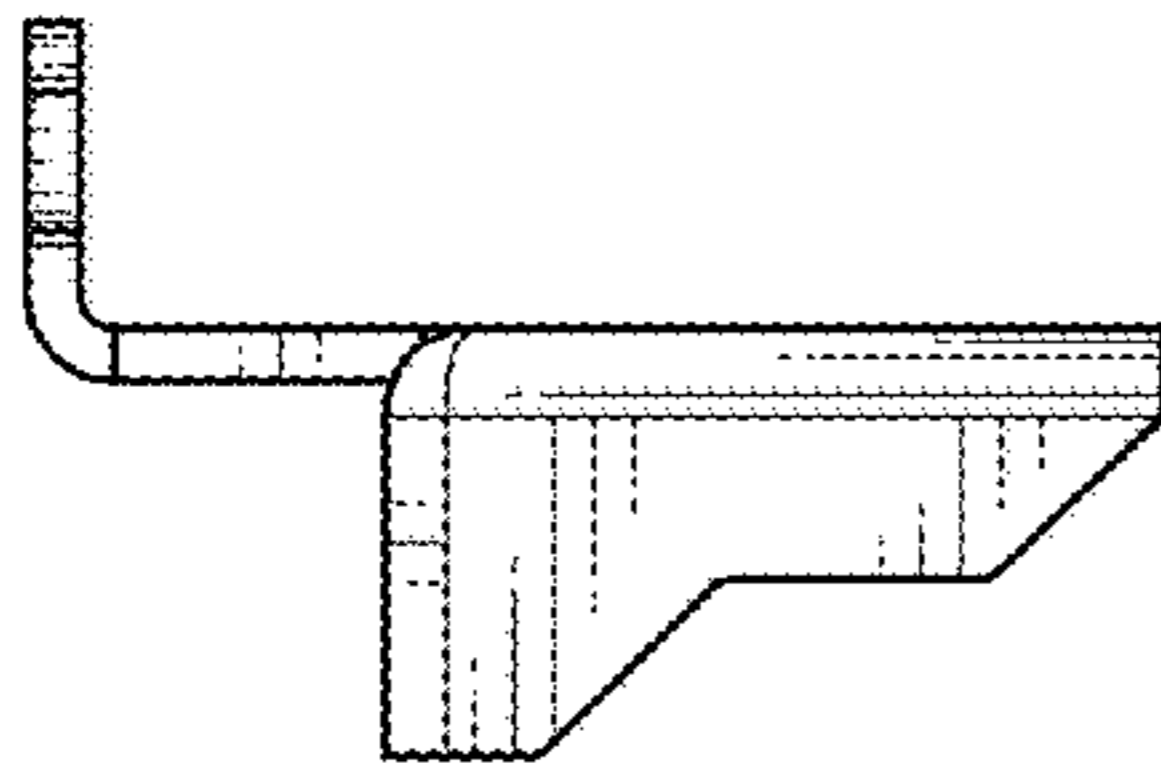


FIG. 5

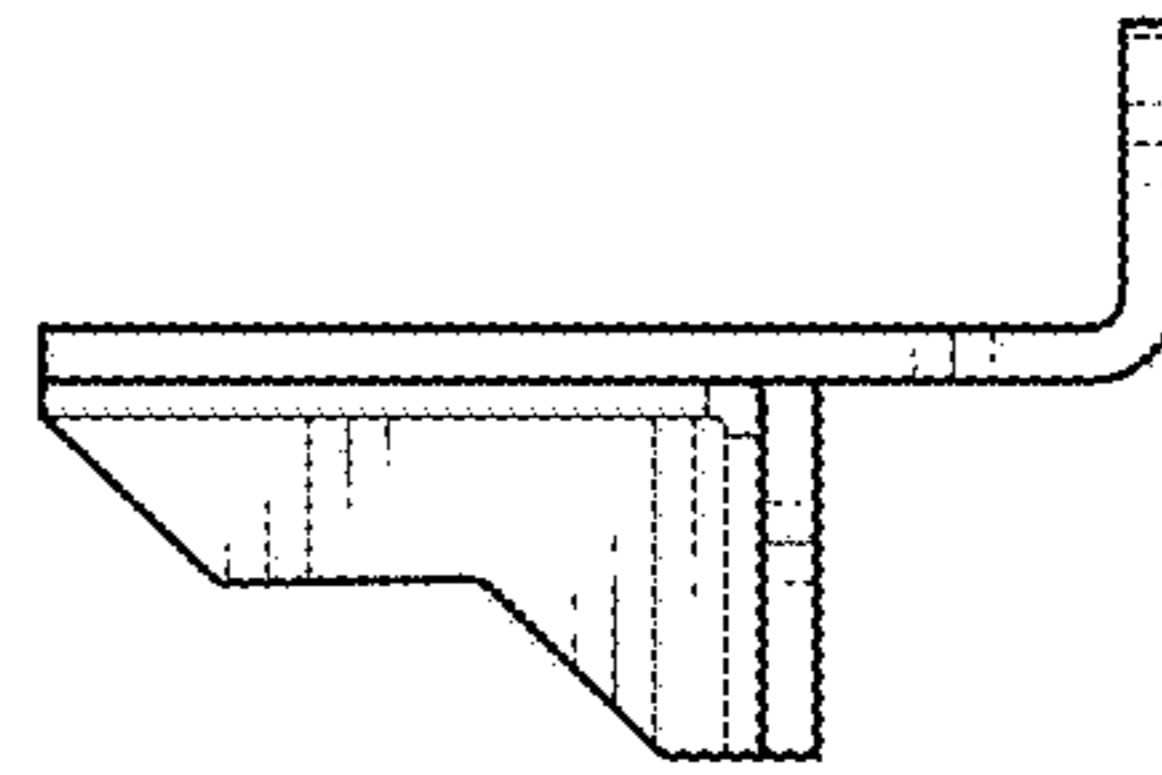


FIG. 6

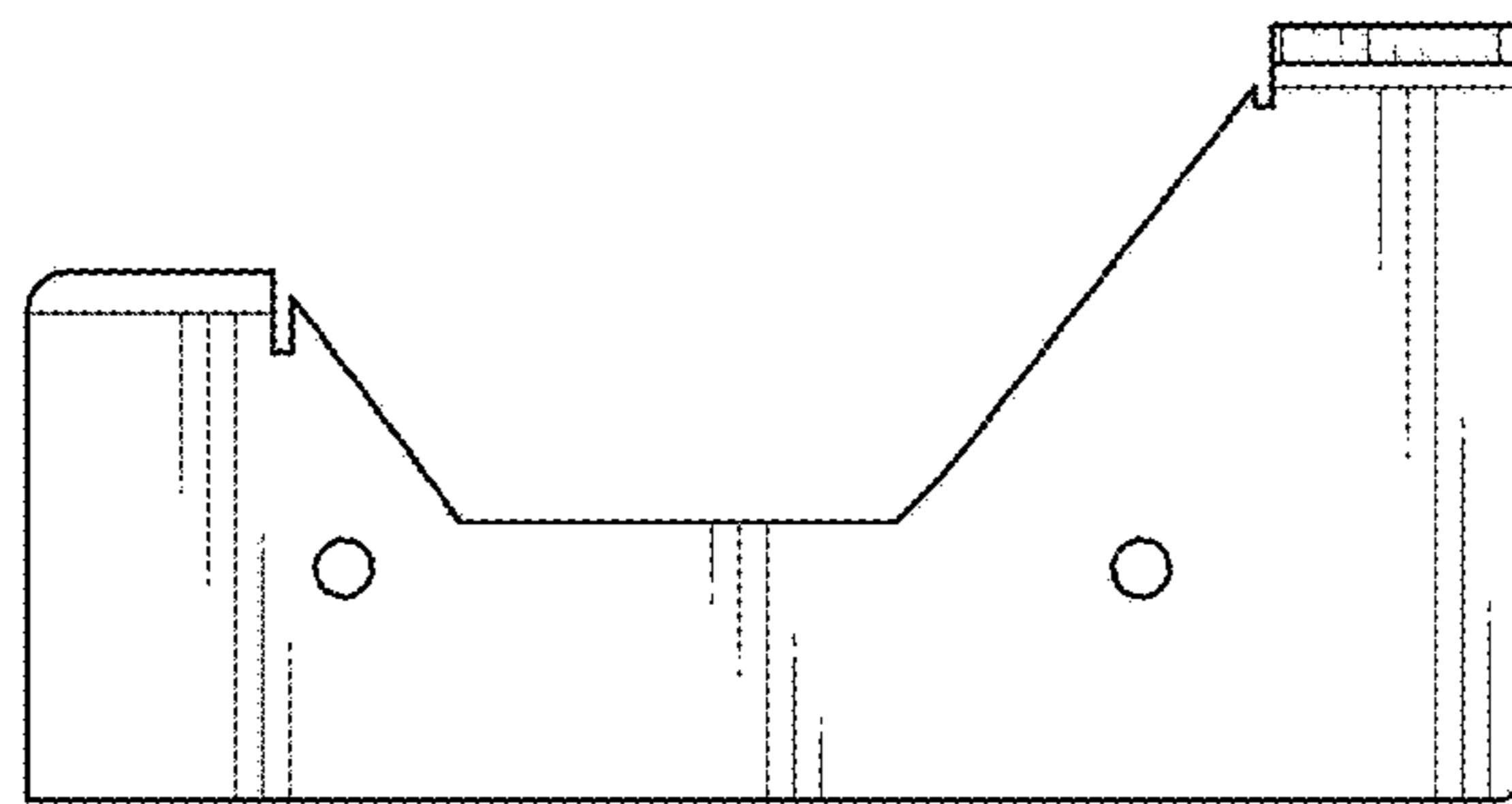


FIG. 7

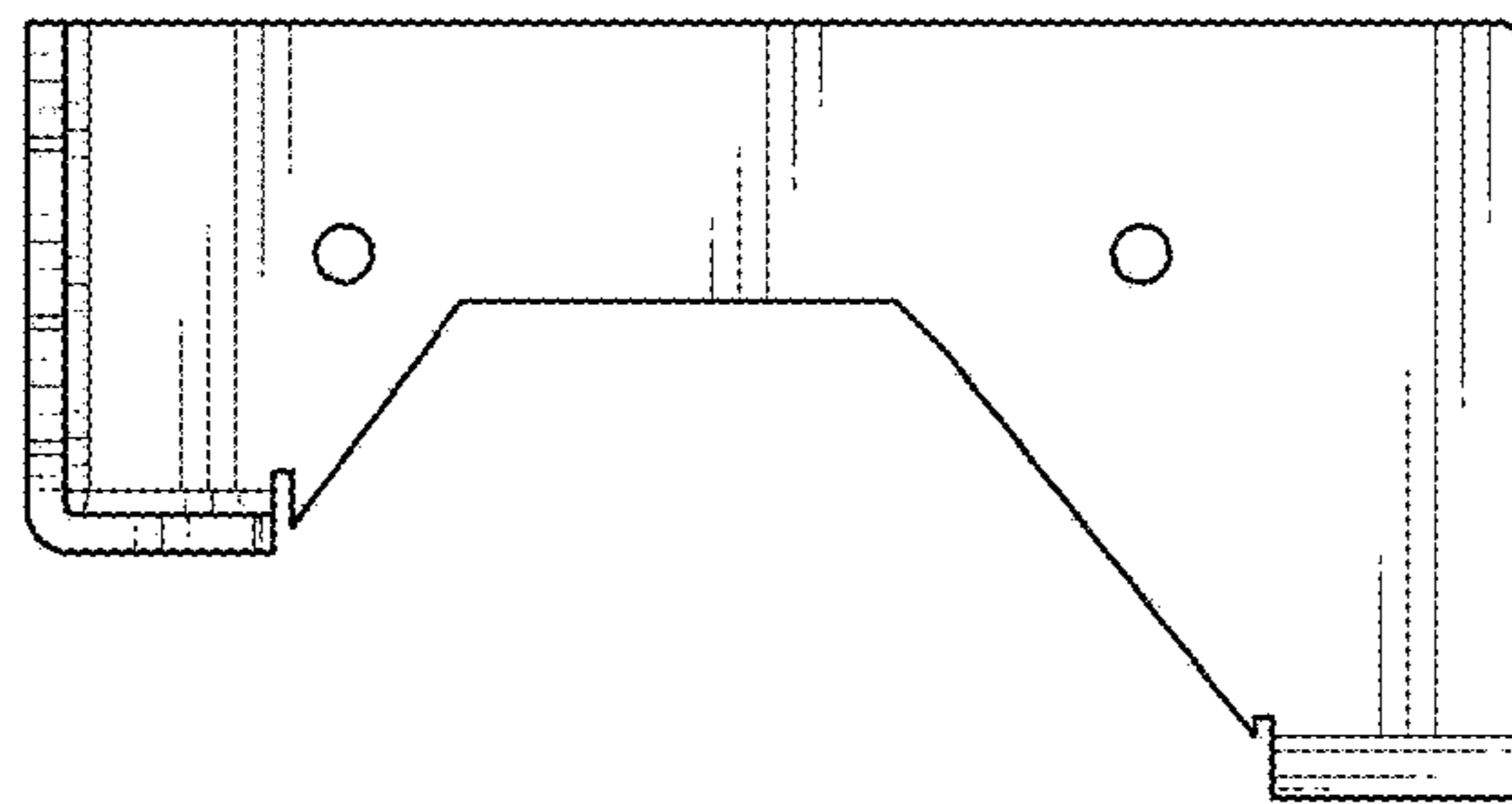


FIG. 8