



US00D834459S

(12) **United States Design Patent** (10) **Patent No.:** **US D834,459 S**
Wang et al. (45) **Date of Patent:** **** Nov. 27, 2018**

(54) **ROLLATOR**

FOREIGN PATENT DOCUMENTS

(71) Applicant: **Medline Industries, Inc.**, Northfield, IL (US)

DE 29717488 A 11/1997
EP 2343035 A1 8/2012

(Continued)

(72) Inventors: **Zhiliang Wang**, Zhongshan (CN);
Margaret Mary Andersen, Chicago, IL (US); **Brian Monegas Ramirez**,
Chicago, IL (US)

OTHER PUBLICATIONS

“Adjustable Rollator by Patterson Medical”, Medline product currently available at <https://www.medline.com/product/Adjustable-Rollator-by-Patterson-Medical/Rollators/Z05-PF55372?question=rollator&index=P35&indexCount=35>.

(Continued)

(73) Assignee: **Medline Industries, Inc.**, Northfield, IL (US)

(**) Term: **15 Years**

Primary Examiner — Charles D Hanson

(21) Appl. No.: **29/623,275**

(74) *Attorney, Agent, or Firm* — Fitch, Even, Tabin & Flannery LLP

(22) Filed: **Oct. 24, 2017**

Related U.S. Application Data

(63) Continuation of application No. 29/561,440, filed on Apr. 15, 2016, now Pat. No. Des. 801,231, which is a continuation of application No. 29/535,549, filed on Aug. 7, 2015, now Pat. No. Des. 754,034, which is a continuation of application No. 29/436,520, filed on Nov. 6, 2012, now Pat. No. Des. 736,121.

(57) **CLAIM**

We claim the ornamental design for a rollator, as shown and described.

(51) **LOC (11) Cl.** **12-12**

DESCRIPTION

(52) **U.S. Cl.**

USPC **D12/130**

(58) **Field of Classification Search**

USPC D12/129, 130, 133

CPC A61H 3/00; A61H 3/04; A61H

2003/001–2003/007; A61H 2003/043;

A61H 2003/046

See application file for complete search history.

FIG. 1 is a front perspective view of a rollator in accordance with our new design;

FIG. 2 is a rear perspective view of the rollator of FIG. 1;

FIG. 3 is a left side elevational view of the rollator of FIG. 1;

FIG. 4 is a right side elevational view of the rollator of FIG. 1;

FIG. 5 is a front elevational view of the rollator of FIG. 1;

FIG. 6 is a rear elevational view of the rollator of FIG. 1;

FIG. 7 is a top plan view of the rollator of FIG. 1; and,

FIG. 8 is a bottom plan view of the rollator of FIG. 1.

The broken lines are included for the purpose of illustrating the unclaimed portions of the rollator and form no part of the claim.

(56) **References Cited**

U.S. PATENT DOCUMENTS

474,666 A 5/1892 Krehbiel

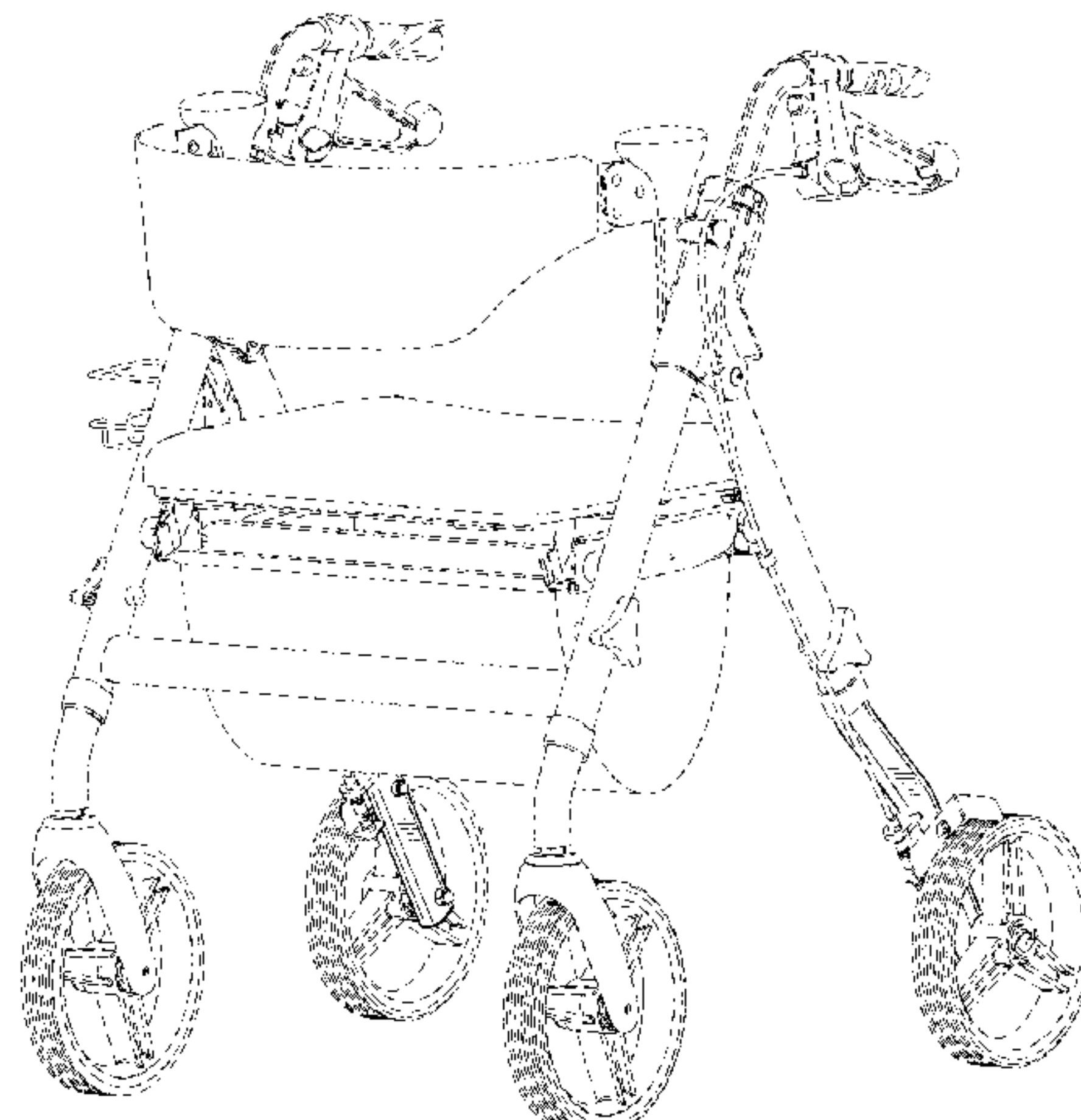
3,186,759 A 6/1965 Reeves

3,338,628 A 8/1967 Evans

4,211,309 A 7/1980 Ruggiero

(Continued)

1 Claim, 8 Drawing Sheets



(56)

References Cited

U.S. PATENT DOCUMENTS

4,229,039 A 10/1980 Day
 4,341,381 A 7/1982 Norberg
 D281,771 S 12/1985 Webb
 D289,507 S 4/1987 Danielsson
 5,058,912 A 10/1991 Harroun
 5,060,967 A 10/1991 Hulterstrum
 5,224,731 A 7/1993 Johnson
 5,320,122 A 6/1994 Jacobson, II
 5,364,120 A 11/1994 Shimansky
 5,419,571 A 5/1995 Vaughan
 D360,174 S 7/1995 Kjell
 D367,833 S 3/1996 Ahlbertz
 D372,890 S 8/1996 Ferm
 5,716,063 A 2/1998 Doyle
 5,741,020 A 4/1998 Harroun
 5,772,234 A 6/1998 Luo
 D396,437 S 7/1998 Liljedahl
 5,904,168 A 5/1999 Alulyan
 6,338,493 B1 1/2002 Wohlgemuth
 6,378,883 B1 4/2002 Epstein
 D503,909 S 4/2005 Tolfsen
 D519,423 S 4/2006 Tolfsen
 7,192,043 B1 3/2007 McLuen
 7,219,906 B2 5/2007 Hallgrimsson
 7,306,246 B2 12/2007 Gale
 D560,563 S 1/2008 Fransson
 7,370,734 B2 5/2008 Hallgrimsson
 7,379,734 B2 5/2008 Sato
 7,484,740 B2 2/2009 Miller
 7,628,411 B2 12/2009 Meyers
 D623,992 S 9/2010 Derks
 D633,830 S 3/2011 Derks
 7,918,473 B2 4/2011 Yao
 8,083,240 B2 12/2011 Jacobs
 8,226,111 B2 7/2012 Valdez
 8,596,669 B2 12/2013 Liao
 8,646,804 B2 2/2014 Derks
 8,851,502 B2 10/2014 Gaudiano
 8,936,262 B2 1/2015 Nabeta
 8,979,114 B2 3/2015 Cheng
 8,998,222 B2 4/2015 Huang
 8,998,223 B2 4/2015 Chang
 D736,121 S 8/2015 Wang
 D739,314 S * 9/2015 Wang D12/130
 9,173,802 B2 11/2015 Willis
 9,226,868 B2 * 1/2016 Andersen A61H 3/04
 D754,034 S * 4/2016 Wang D12/130
 D754,568 S * 4/2016 Wang D12/130
 9,381,132 B2 * 7/2016 Chen A61H 3/04
 D766,139 S 9/2016 Chen
 9,687,411 B2 * 6/2017 Chen A61H 3/04
 D795,752 S 8/2017 Wang
 D795,753 S 8/2017 Wang
 9,763,849 B2 * 9/2017 Paterson A61H 3/04
 D801,231 S 10/2017 Wang
 9,839,571 B2 * 12/2017 Pan A61H 3/04
 D807,793 S * 1/2018 Paterson D12/130
 9,877,889 B2 * 1/2018 Chen A61H 3/04
 9,907,723 B2 * 3/2018 Bisceglia H05K 999/99
 9,968,509 B2 * 5/2018 Andersen A61H 3/04
 9,974,708 B1 * 5/2018 Janeczek A61G 5/0883
 2002/0050697 A1 5/2002 Hallgrimsson
 2002/0079663 A1 6/2002 Hallgrimsson
 2002/0153684 A1 10/2002 Sung
 2004/0079405 A1 4/2004 Sanders
 2004/0104559 A1 6/2004 Chen
 2004/0118640 A1 6/2004 Hallgrimsson
 2004/0245737 A1 12/2004 Hallgrimsson
 2005/0001398 A1 1/2005 Serhan
 2006/0284040 A1 12/2006 Nixon
 2007/0034243 A1 2/2007 Miller
 2007/0170699 A1 7/2007 Li
 2007/0235067 A1 10/2007 Gale
 2007/0267054 A1 11/2007 Meyers
 2007/0283990 A1 12/2007 Fernandez

2008/0111349 A1 5/2008 Willis
 2008/0129016 A1 6/2008 Willis
 2008/0135077 A1 6/2008 Meyers
 2008/0202571 A1 8/2008 Meyers
 2008/0252043 A1 10/2008 Willis
 2009/0033052 A1 2/2009 Bradshaw
 2010/0301574 A1 12/2010 Derks
 2012/0205882 A1 8/2012 Staggs
 2013/0113187 A1 5/2013 Willis
 2013/0292916 A1 11/2013 Nabeta
 2013/0320640 A1 12/2013 Liu
 2014/0084559 A1 3/2014 Fang
 2014/0125037 A1 5/2014 Andersen
 2015/0182394 A1 7/2015 Kutsch
 2016/0113833 A1 4/2016 Andersen

FOREIGN PATENT DOCUMENTS

JP D1148308 S 7/2002
 JP D1292289 S 1/2007
 TW D107853 11/2005
 TW D127741 3/2009

OTHER PUBLICATIONS

“Bariatric RollAider™ by Patterson Medical”, Medline product currently available at <https://www.medline.com/product/Bariatric-RollAider153-by-Patterson-Medical/Rollators/Z05-PF74285?question=rollator&index=P43&indexCount=43>.
 “Basic Rollators”, Medline product currently available at <https://www.medline.com/product/Basic-Rollators/Rollators/Z05-PF04832?question=rollator&index=P4&indexCount=4>.
 “Basic Steel Rollators”, Medline product currently available at <https://www.medline.com/product/Basic-Steel-Rollators/Rollators/Z05-PF61071?question=rollator&index=P10&indexCount=10>.
 “Deluxe Comfort Rollators”, Medline product currently available at <https://www.medline.com/product/Deluxe-Comfort-Rollators/Rollators/Z05-PF61367?question=rollator&index=P8&indexCount=8>.
 “Deluxe Rollators”, Medline product currently available at <https://www.medline.com/product/Deluxe-Rollators/Rollators/Z05-PF04834?question=rollator&index=P6&indexCount=6>.
 “Empower Rollator”, Medline product currently available at <https://www.medline.com/product/Empower-Rollator/Rollators/Z05-PF75510?question=rollator&index=P11&indexCount=11>.
 “Guardian Deluxe Rollators with 8" Wheels”, Medline product currently available at <https://www.medline.com/product/Guardian-Deluxe-Rollators-with-8-Wheels/Rollators/Z05-PF04840?question=rollator&index=P1&indexCount=1#mrkSpec>.
 “Guardian Economy Rollators”, Medline product currently available at <https://www.medline.com/product/Guardian-Economy-Rollators/Rollators/Z05-PF04841?question=rollator&index=P9&indexCount=9>.
 “Invacare® Rollite™ Rollator by Patterson Medical”, Medline product currently available at <https://www.medline.com/product/Invacare-Rollite153-Rollator-by-Patterson-Medical/Rollators/Z05-PF59721?question=rollator&index=P37&indexCount=37>.
 “Light Weight Extra Wide Heavy-Duty Alumi”, Medline product currently available at <https://www.medline.com/product/Light-Weight-Extra-Wide-Heavy-Duty-Alumi/Rollators/Z05-PF55515?question=rollator&index=P41&indexCount=41>.
 “Luxe Rollator”, Medline product currently available at <https://www.medline.com/product/Luxe-Rollator/Rollators/Z05-PF04842?question=rollator&index=P7&indexCount=7>.
 “Posh Pink Zebra Rollator”, Medline product currently available at <https://www.medline.com/product/Posh-Pink-Zebra-Rollator/Rollators/Z05-PF70685?question=rollator&index=P21&indexCount=21>.
 “Rollators with 8" Wheels”, Medline product currently available at <https://www.medline.com/product/Rollators-with-8-Wheels/Rollators/Z05-PF04844?question=rollator&index=P2&indexCount=2>.
 “Set n’ Go Height Adjustable Rollator by Graham-Field”, Medline product currently available at <https://www.medline.com/product/Set-n-Go-Height-Adjustable-Rollator-by-Graham-Field/Rollators/Z05-PF110256?question=rollator&index=P29&indexCount=29>.

(56)

References Cited

OTHER PUBLICATIONS

“Simplicity Rollator”, Medline product currently available at <https://www.medline.com/product/Simplicity-Rollator/Rollators/Z05-PF71394?question=rollator&index=P12&indexCount=12c>.

“Standard Bariatric Heavy Duty Rollator”, Medline product currently available at <https://www.medline.com/product/Standard-Bariatric-Heavy-Duty-Rollator/Rollators/Z05-PF04829?question=rollator&index=P3&indexCount=3>.

“Stealth Rollator”, Medline product currently available at <https://www.medline.com/product/Stealth-Rollator/Rollators/Z05-PF71395?question=rollator&index=P19&indexCount=19>.

“Tri-Wheeled Rollators”, Medline product currently available at <https://www.medline.com/product/Tri-Wheeled-Rollators/Rollators/Z05-PF04845?question=rollator&index=P16&indexCount=16>.

“U-Step Walking Stabilizer by Alimed”, Medline product currently available at <https://www.medline.com/product/U-Step-Walking-Stabilizer-by-Alimed/Rollators/Z05-PF57847?question=rollator&index=P48&indexCount=48>.

“Ultralight Rollators”, Medline product currently available at <https://www.medline.com/product/Ultralight-Rollators/Rollators/Z05-PF04838?question=rollator&index=P5&indexCount=5>.

“Walker CanyOn! Bags by Patterson”, Medline product currently available at <https://www.medline.com/product-Walker-CarryOn-Bags-by-Patterson-Medical/Parts-Accessories/Z05-PF58535?P19&indexCount=19>.

“Width Adjustable Rollators”, Medline product currently available at <https://www.medline.com/product/Width-Adjustable-Rollators/Rollators/Z05-PF103010?question=rollator&index=P18&indexCount=18>.

“Winnie Mimi Lite-RollatorTransport Cha”, Medline product currently available at <https://www.medline.com/product/Winnie-Mimi-Lite-Rollator-Transport-Cha/Rollators/Z05-PF43257?question=rollator&index=P53&indexCount=53>.

Australian Office Action from Australian Patent Application No. 2013341540 dated Feb. 10, 2017.

Chinese Office Action from Chinese Patent Application No. 201310547406.7 dated Sep. 2, 2016 with English translation.

Copenheaver, Blaine R.; Authorized Officer; International Search Report and Written Opinion from related International Application No. PCT/US2016/026936; dated Jul. 6, 2016; 14 pages.

Extended European Search Report from European Patent Application No. 13853894.7 dated Jun. 17, 2016.

PCT Patent Application No. PCT/US2013/068116; International Search Report and Written Opinion dated Feb. 13, 2014.

Taiwanese Search Report from TW102303182 dated Jul. 17, 2014.

* cited by examiner

FIG. 1

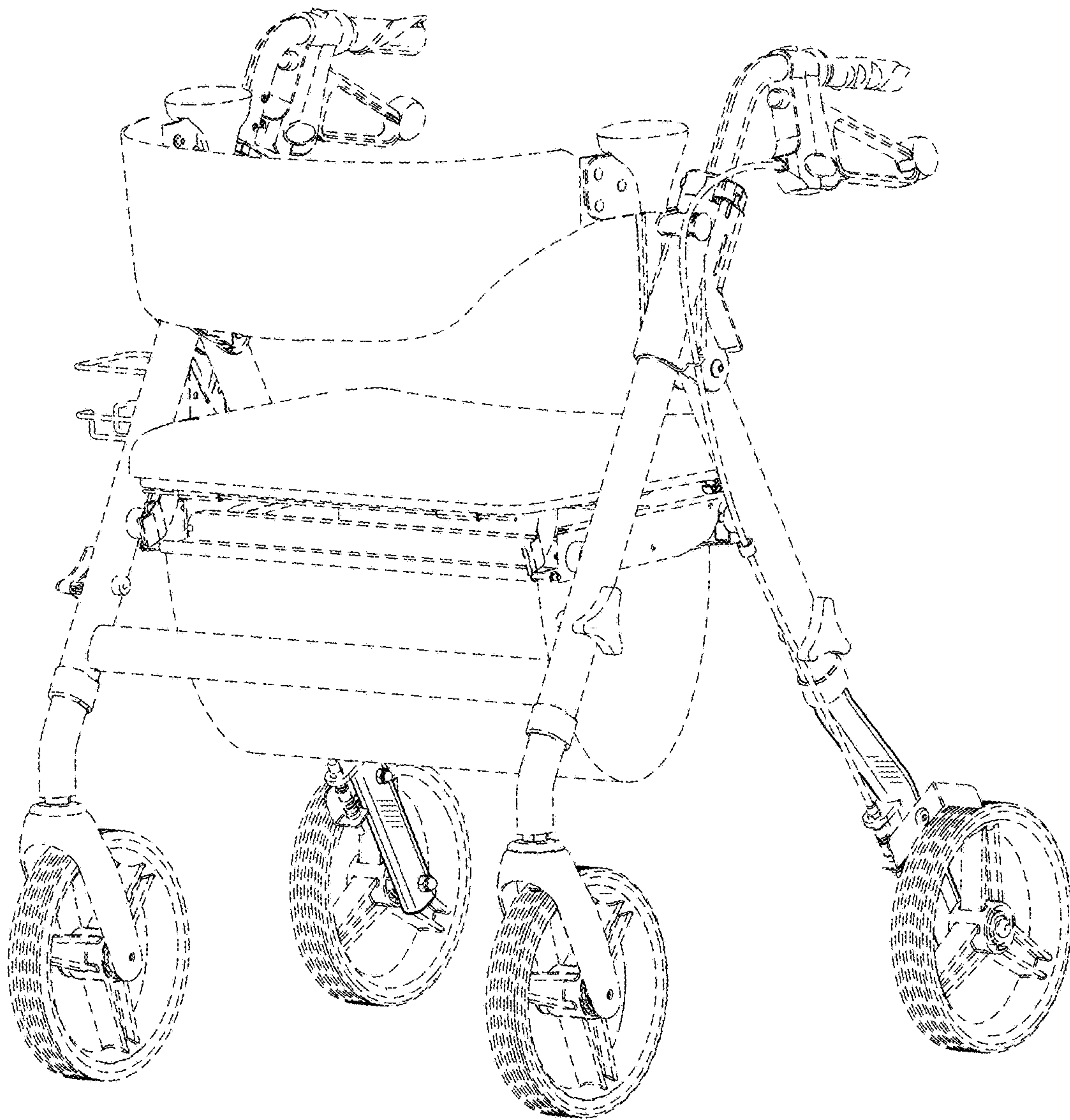


FIG. 2

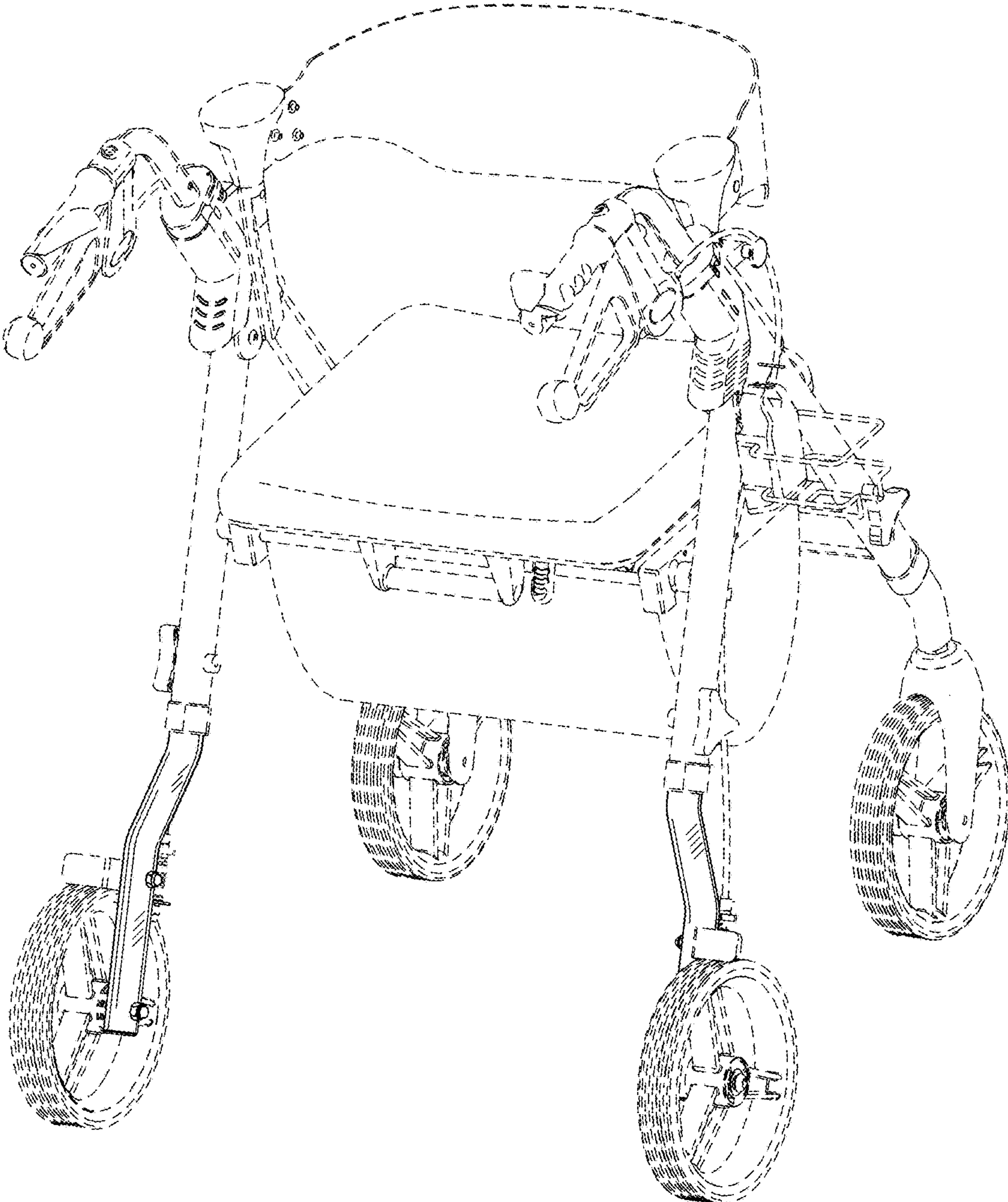


FIG. 3

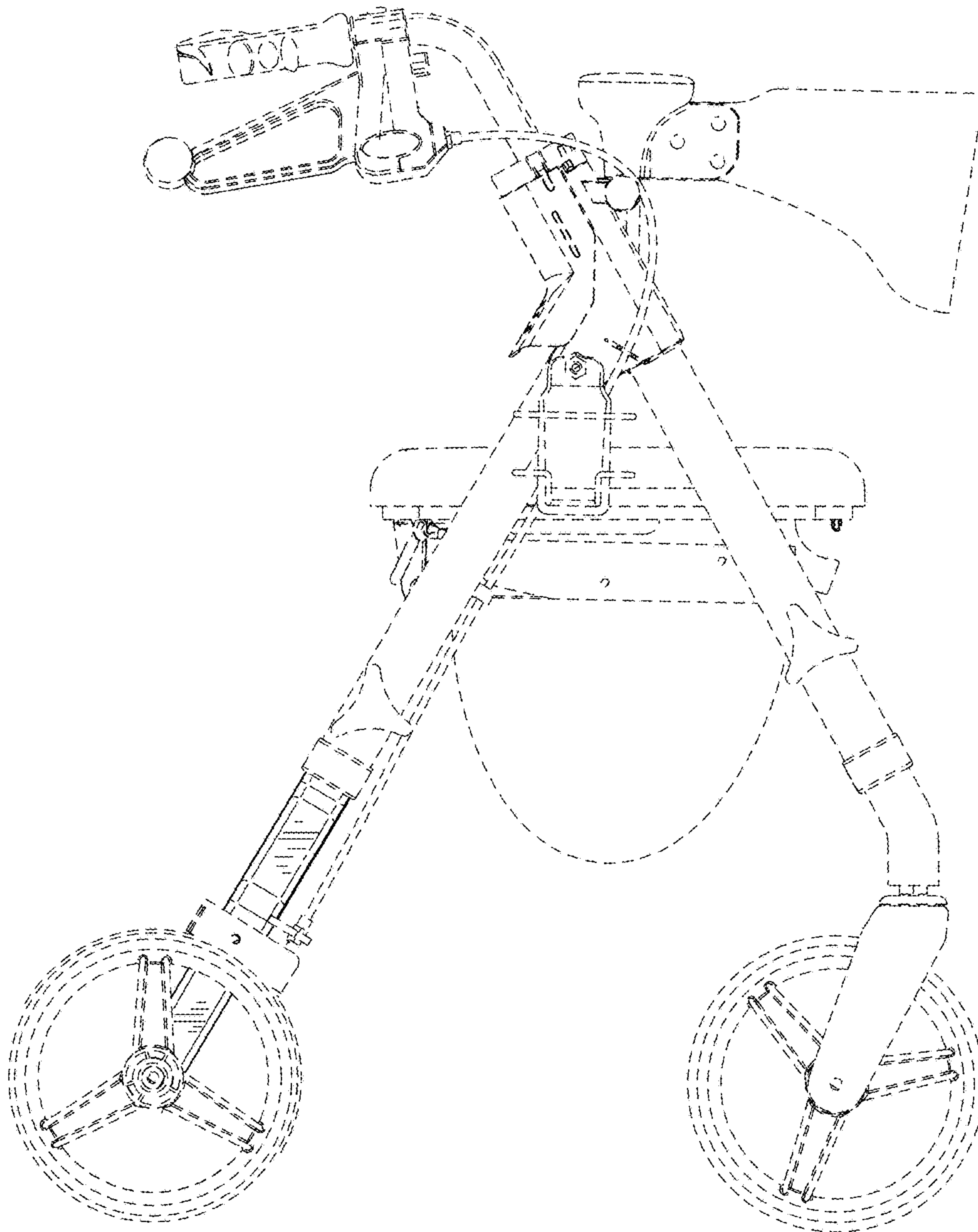


FIG. 4

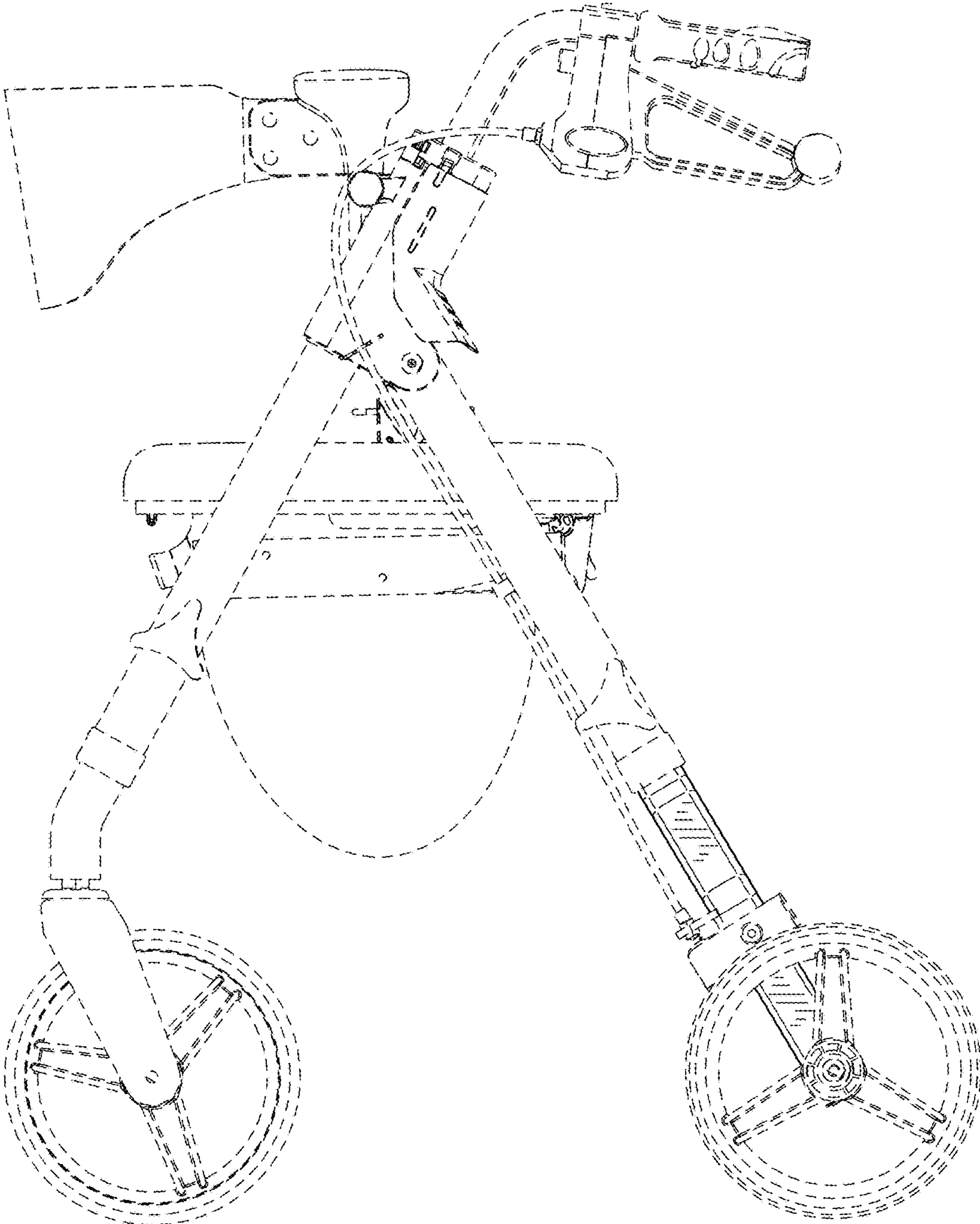


FIG. 5

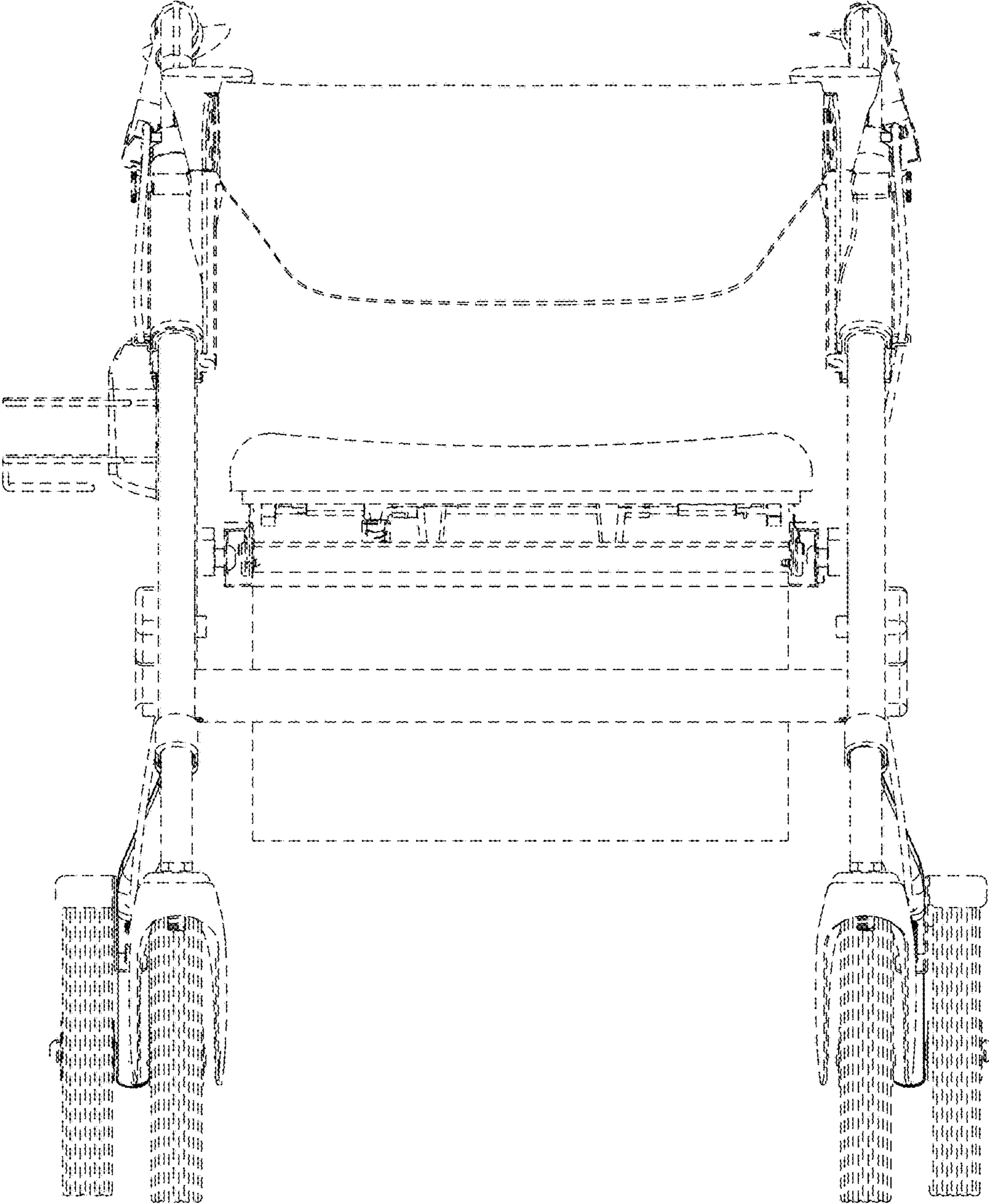


FIG. 6

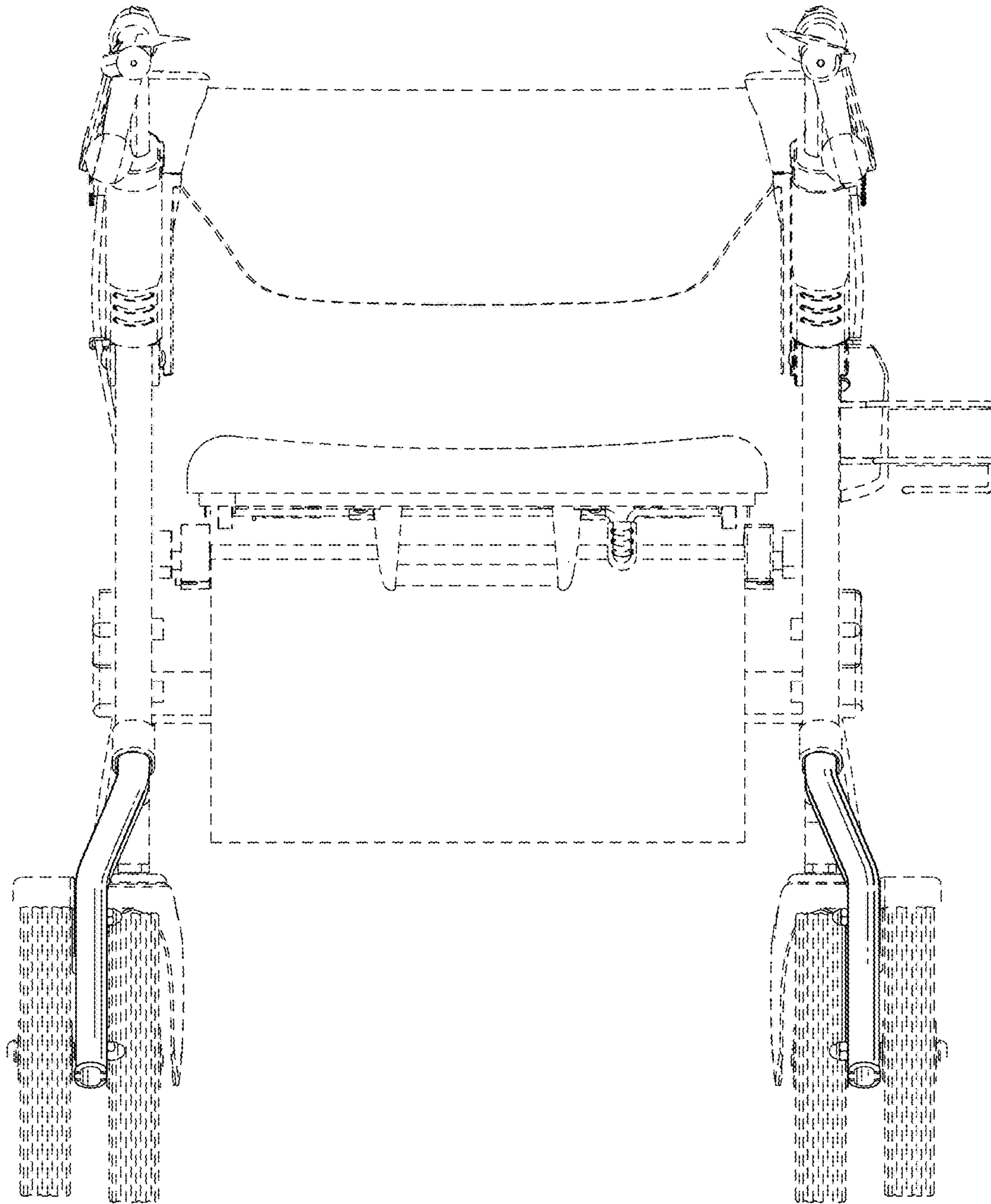


FIG. 7

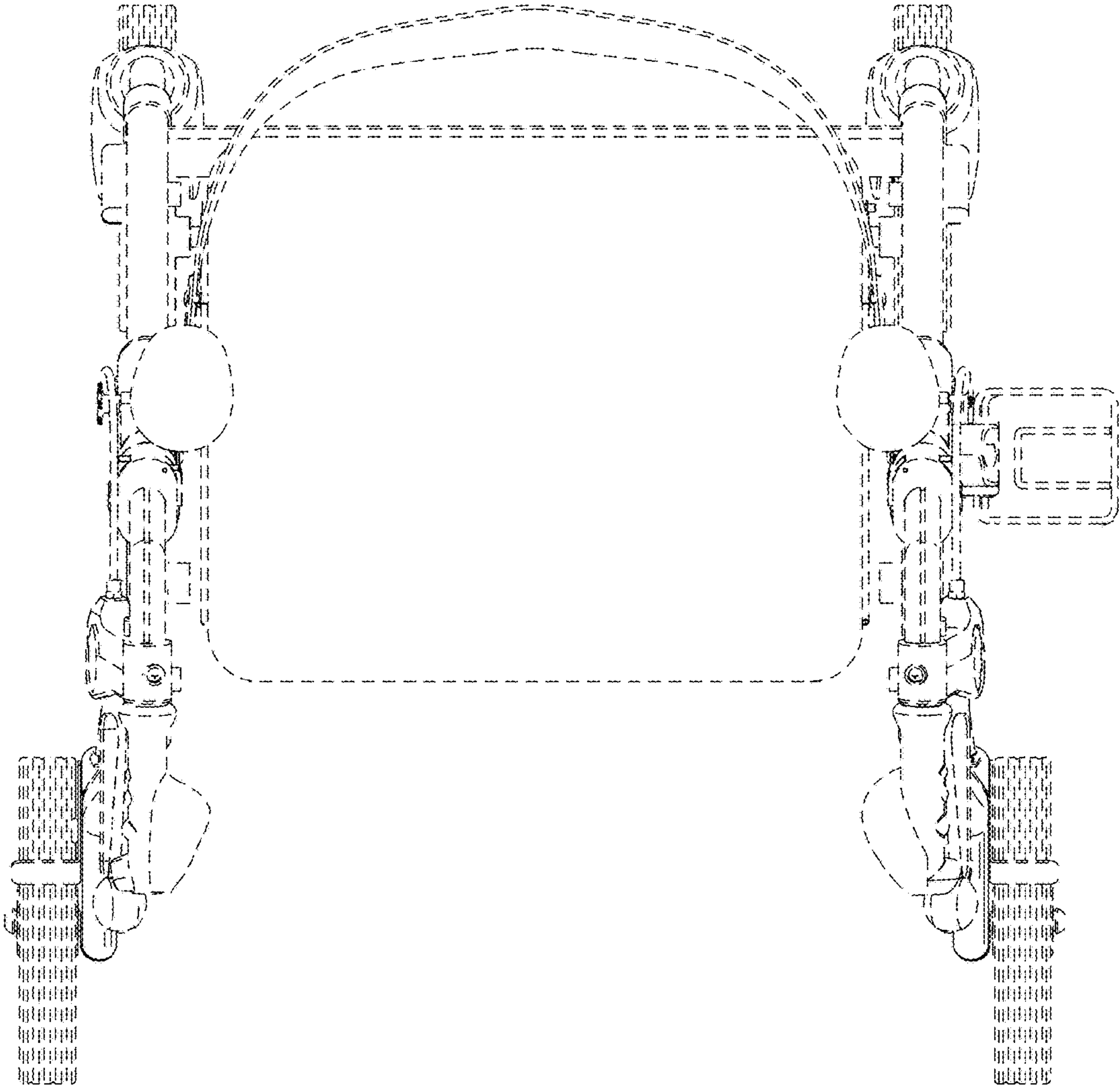


FIG. 8

