



US00D834458S

(12) **United States Design Patent** (10) **Patent No.:** **US D834,458 S**  
**Paterson et al.** (45) **Date of Patent:** **\*\* Nov. 27, 2018**

- (54) **ROLLATOR**
- (71) Applicant: **Medline Industries, Inc.**, Northfield, IL (US)
- (72) Inventors: **Michael Paterson**, Chicago, IL (US); **Tong Jin Kim**, West Lafayette, IN (US); **Kegan McDaniel**, Chicago, IL (US); **Luke Westra**, Chicago, IL (US)
- (73) Assignee: **Medline Industries, Inc.**, Northfield, IL (US)
- (\*\*) Term: **15 Years**
- (21) Appl. No.: **29/619,813**
- (22) Filed: **Oct. 2, 2017**

5,224,731 A	7/1993	Johnson
5,320,122 A	6/1994	Jacobson, II
5,364,120 A	11/1994	Shimansky
5,419,571 A	5/1995	Vaughan
D360,174 S	7/1995	Kjell
D367,833 S	3/1996	Ahlbertz
D372,890 S	8/1996	Ferm
5,716,063 A	2/1998	Doyle
5,741,020 A	4/1998	Harroun
5,772,234 A	6/1998	Luo
D396,437 S	7/1998	Liljedahl
5,904,168 A	5/1999	Alulyan
6,338,493 B1	1/2002	Wohlgemuth
6,378,883 B1	4/2002	Epstein
D503,909 S	4/2005	Tolfsen
D519,423 S	4/2006	Tolfsen
7,192,043 B1	3/2007	McLuen
7,219,906 B2	5/2007	Hallgrimsson
7,306,246 B2	12/2007	Gale
D560,563 S	1/2008	Fransson
7,370,734 B2	5/2008	Hallgrimsson
7,379,734 B2	5/2008	Sato
7,484,740 B2	2/2009	Miller
7,628,411 B2	12/2009	Meyers
D623,992 S	9/2010	Derks
D633,830 S	3/2011	Derks
7,918,473 B2	4/2011	Yao
8,083,240 B2	12/2011	Jacobs
8,226,111 B2	7/2012	Valdez
8,596,669 B2	12/2013	Liao
8,646,804 B2	2/2014	Derks
8,851,502 B2	10/2014	Gaudiano
8,936,262 B2	1/2015	Nabeta
8,979,114 B2	3/2015	Cheng
8,998,222 B2	4/2015	Huang
8,998,223 B2	4/2015	Chang
D736,121 S	8/2015	Wang
D739,314 S *	9/2015	Wang ..... D12/130
9,173,802 B2	11/2015	Willis
9,226,868 B2 *	1/2016	Andersen ..... A61H 3/04
D754,034 S *	4/2016	Wang ..... D12/130
D754,568 S *	4/2016	Wang ..... D12/130
9,381,132 B2 *	7/2016	Chen ..... A61H 3/04
D766,139 S	9/2016	Chen
9,687,411 B2 *	6/2017	Chen ..... A61H 3/04
D795,752 S	8/2017	Wang
D795,753 S	8/2017	Wang
9,763,849 B2 *	9/2017	Paterson ..... A61H 3/04
D801,231 S	10/2017	Wang
9,839,571 B2 *	12/2017	Pan ..... A61H 3/04
D807,793 S *	1/2018	Paterson ..... D12/130
9,877,889 B2 *	1/2018	Chen ..... A61H 3/04
9,907,723 B2 *	3/2018	Bisceglia ..... H05K 999/99

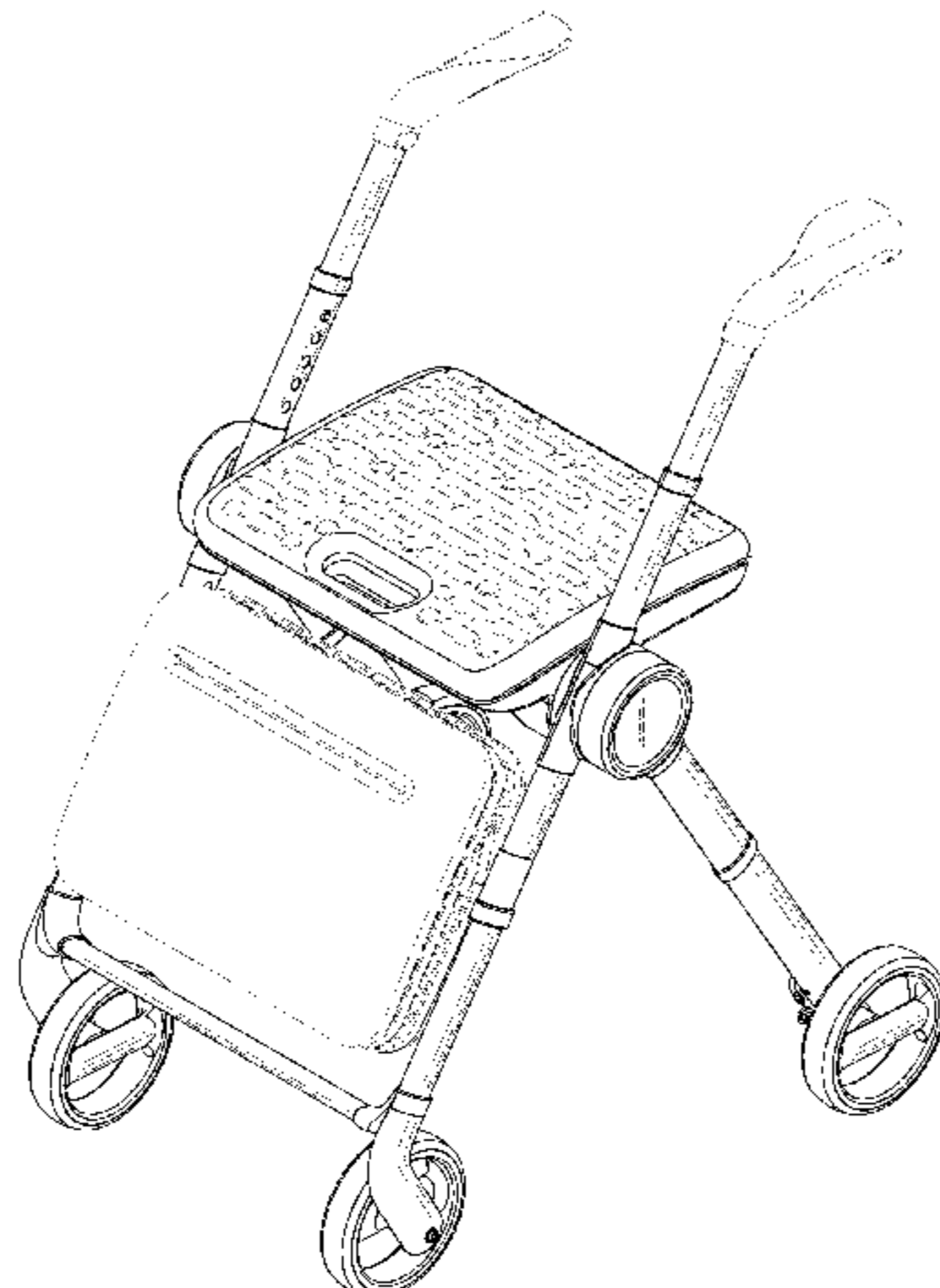
**Related U.S. Application Data**

- (63) Continuation of application No. 29/523,431, filed on Apr. 9, 2015, now Pat. No. Des. 807,793.
- (51) **LOC (11) Cl.** ..... **12-12**
- (52) **U.S. Cl.**  
USPC ..... **D12/130**
- (58) **Field of Classification Search**  
USPC ..... D12/129, 130, 133  
CPC ..... A61H 3/00; A61H 3/04; A61H 2003/001–2003/007; A61H 2003/043; A61H 2003/046  
See application file for complete search history.

**References Cited**

**U.S. PATENT DOCUMENTS**

474,666 A	5/1892	Krehbiel
3,186,759 A	6/1965	Reeves
3,338,628 A	8/1967	Evans
4,211,309 A	7/1980	Ruggiero
4,229,039 A	10/1980	Day
4,341,381 A	7/1982	Norberg
D281,771 S	12/1985	Webb
D289,507 S	4/1987	Danielsson
5,058,912 A	10/1991	Harroun
5,060,967 A	10/1991	Hulterstrum



9,968,509	B2 *	5/2018	Andersen .....	A61H 3/04
9,974,708	B1 *	5/2018	Janeczek .....	A61G 5/0883
2002/0050697	A1	5/2002	Hallgrimsson	
2002/0079663	A1	6/2002	Hallgrimsson	
2002/0153684	A1	10/2002	Sung	
2004/0079405	A1	4/2004	Sanders	
2004/0104559	A1	6/2004	Chen	
2004/0118640	A1	6/2004	Hallgrimsson	
2004/0245737	A1	12/2004	Hallgrimsson	
2005/0001398	A1	1/2005	Serhan	
2006/0284040	A1	12/2006	Nixon	
2007/0034243	A1	2/2007	Miller	
2007/0170699	A1	7/2007	Li	
2007/0235067	A1	10/2007	Gale	
2007/0267054	A1	11/2007	Meyers	
2007/0283990	A1	12/2007	Fernandez	
2008/0111349	A1	5/2008	Willis	
2008/0129016	A1	6/2008	Willis	
2008/0135077	A1	6/2008	Meyers	
2008/0202571	A1	8/2008	Meyers	
2008/0252043	A1	10/2008	Willis	
2009/0033052	A1	2/2009	Bradshaw	
2010/0301574	A1	12/2010	Derks	
2012/0205882	A1	8/2012	Staggs	
2013/0113187	A1	5/2013	Willis	
2013/0292916	A1	11/2013	Nabeta	
2013/0320640	A1	12/2013	Liu	
2014/0084559	A1	3/2014	Fang	
2014/0125037	A1	5/2014	Andersen	
2015/0182394	A1	7/2015	Kutsch	
2016/0113833	A1	4/2016	Andersen	

## FOREIGN PATENT DOCUMENTS

DE	29717488	A	11/1997
EP	2343035	A1	8/2012
JP	D1148308	S	7/2002
JP	D1292289	S	1/2007
TW	D107853		11/2005
TW	D127741		3/2009

## OTHER PUBLICATIONS

“Adjustable Rollator by Patterson Medical”, Medline product currently available at <https://www.medline.com/product/Adjustable-Rollator-by-Patterson-Medical/Rollators/Z05-PF55372?question=rollator&index=P35&indexCount=35>.

“Bariatric RollAider™ by Patterson Medical”, Medline product currently available at <https://www.medline.com/product/Bariatric-RollAider153-by-Patterson-Medical/Rollators/Z05-PF74285?question=rollator&index=P43&indexCount=43>.

“Basic Rollators”, Medline product currently available at <https://www.medline.com/product/Basic-Rollators/Rollators/Z05-PF04832?question=rollator&index=P4&indexCount=4>.

“Basic Steel Rollators”, Medline product currently available at <https://www.medline.com/product/Basic-Steel-Rollators/Rollators/Z05-PF61071?question=rollator&index=P10&indexCount=10>.

“Deluxe Comfort Rollators”, Medline product currently available at <https://www.medline.com/product/Deluxe-Comfort-Rollators/Rollators/Z05-PF61367?question=rollator&index=P8&indexCount=8>.

“Deluxe Rollators”, Medline product currently available at <https://www.medline.com/product/Deluxe-Rollators/Rollators/Z05-PF04834?question=rollator&index=P6&indexCount=6>.

“Empower Rollator”, Medline product currently available at <https://www.medline.com/product/Empower-Rollator/Rollators/Z05-PF75510?question=rollator&index=P11&indexCount=11>.

“Guardian Deluxe Rollators with 8" Wheels”, Medline product currently available at <https://www.medline.com/product/Guardian-Deluxe-Rollators-with-8-Wheels1Rollators/Z05-PF04840?question=rollator&index=P1&indexCount=1#mrkSpec>.

“Guardian Economy Rollators”, Medline product currently available at <https://www.medline.com/product/Guardian-Economy-Rollators/Rollators/Z05-PF04841?question=rollator&index=P9&indexCount=9>.

“Invacare® Rollite™ Rollator by Patterson Medical”, Medline product currently available at <https://www.medline.com/product/Invacare-Rollite153-Rollator-by-Patterson-Medical/Rollators/Z05-PF59721?question=rollator&index=P37&indexCount=37>.

“Light Weight Extra Wide Heavy-Duty Alumi”, Medline product currently available at <https://www.medline.com/product/Light-Weight-Extra-Wide-Heavy-Duty-Alumi/Rollators/Z05-PF55515?question=rollator&index=P41&indexCount=41>.

“Luxe Rollator”, Medline product currently available at <https://www.medline.com/product/Luxe-Rollator/Rollators/Z05-PF04842?question=rollator&index=P7&indexCount=7>.

“Posh Pink Zebra Rollator”, Medline product currently available at <https://www.medline.com/product/Posh-Pink-Zebra-Rollator/Rollators/Z05-PF70685?question=rollator&index=P21&indexCount=21>.

“Rollators with 8" Wheels”, Medline product currently available at <https://www.medline.com/product/Rollators-with-8-Wheels/Rollators/Z05-PF04844?question=rollator&index=P2&indexCount=2>.

“Set n' Go Height Adjustable Rollator by Graham-Field”, Medline product currently available at <https://www.medline.com/product/Set-n-Go-Height-Adjustable-Rollator-by-Graham-Field/Rollators/Z05-PF110256?question=rollator&index=P29&indexCount=29>.

“Simplicity Rollator”, Medline product currently available at <https://www.medline.com/product/Simplicity-Rollator/Rollators/Z05-PF71394?question=rollator&index=P12&indexCount=12c>.

“Standard Bariatric Heavy Duty Rollator”, Medline product currently available at <https://www.medline.com/product/Standard-Bariatric-Heavy-Duty-Rollator/Rollators/Z05-PF04829?question=rollator&index=P3&indexCount=3>.

“Stealth Rollator”, Medline product currently available at <https://www.medline.com/product/Stealth-Rollator/Rollators/Z05-PF71395?question=rollator&index=P19&indexCount=19>.

“Tri-Wheeled Rollators”, Medline product currently available at <https://www.medline.com/product/Tri-Wheeled-Rollators/Rollators/Z05-PF04845?question=rollator&index=P16&indexCount=16>.

“U-Step Walking Stabilizer by Alimed”, Medline product currently available at <https://www.medline.com/product/U-Step-Walking-Stabilizer-by-Alimed/Rollators/Z05-PF57847?question=rollator&index=P48&indexCount=48>.

“Ultralight Rollators”, Medline product currently available at <https://www.medline.com/product/Ultralight-Rollators/Rollators/Z05-PF04838?question=rollator&index=P5&indexCount=5>.

“Walker CanyOn! Bags by Patterson”, Medline product currently available at <https://www.medline.com/product/Walker-CarryOn-Bags-by-Patterson-Medical/Parts-Accessories/Z05-PF58535?P19&indexCount=19>.

“Width Adjustable Rollators”, Medline product currently available at <https://www.medline.com/product/Width-Adjustable-Rollators/Rollators/Z05-PF103010?question=rollator&index=P18&indexCount=18>.

“Winnie Mimi Lite-RollatorTransport Cha”, Medline product currently available at <https://www.medline.com/product/Winnie-Mimi-Lite-Rollator-Transport-Cha/Rollators/Z05-PF43257?question=rollator&index=P53&indexCount=53>.

Australian Office Action from Australian Patent Application No. 2013341540 dated Feb. 10, 2017.

Chinese Office Action from Chinese Patent Application No. 201310547406.7 dated Sep. 2, 2016 with English translation.

Copenheaver, Blaine R.; Authorized Officer; International Search Report and Written Opinion from related International Application No. PCT/US2016/026936; dated Jul. 6, 2016; 14 pages.

Extended European Search Report from European Patent Application No. 13853894.7 dated Jun. 17, 2016.

PCT Patent Application No. PCT/US2013/068116; International Search Report and Written Opinion Dated Feb. 13, 2014.

Taiwanese Search Report from TW102303182 Dated Jul. 17, 2014.

\* cited by examiner

(74) *Attorney, Agent, or Firm* — Fitch, Even, Tabin & Flannery LLP

(57)

**CLAIM**

We claim the ornamental design for a rollator, as shown and described.

**DESCRIPTION**

FIG. 1 is a top perspective view showing a first embodiment of a rollator in accordance with our new design;  
FIG. 2 is a bottom perspective view thereof;  
FIG. 3 is a front elevational view thereof;  
FIG. 4 is a rear elevational view thereof;  
FIG. 5 is a left side elevational view thereof;  
FIG. 6 is a right side elevational view thereof;  
FIG. 7 is a top plan view thereof;  
FIG. 8 is a bottom plan view thereof;  
FIG. 9 is a top perspective view showing a second embodiment of a rollator in accordance with our new design;

FIG. 10 is a bottom perspective view thereof;  
FIG. 11 is a front elevational view thereof;  
FIG. 12 is a rear elevational view thereof;  
FIG. 13 is a left side elevational view thereof;  
FIG. 14 is a right side elevational view thereof;  
FIG. 15 is a top plan view thereof;  
FIG. 16 is a bottom plan view thereof;  
FIG. 17 is a top perspective view showing a third embodiment of a rollator in accordance with our new design;  
FIG. 18 is a bottom perspective view thereof;  
FIG. 19 is a front elevational view thereof;  
FIG. 20 is a rear elevational view thereof;  
FIG. 21 is a left side elevational view thereof;  
FIG. 22 is a right side elevational view thereof;  
FIG. 23 is a top plan view thereof; and,  
FIG. 24 is a bottom plan view thereof.  
The broken lines depict unclaimed subject matter and form no part of the claimed design.

**1 Claim, 22 Drawing Sheets**

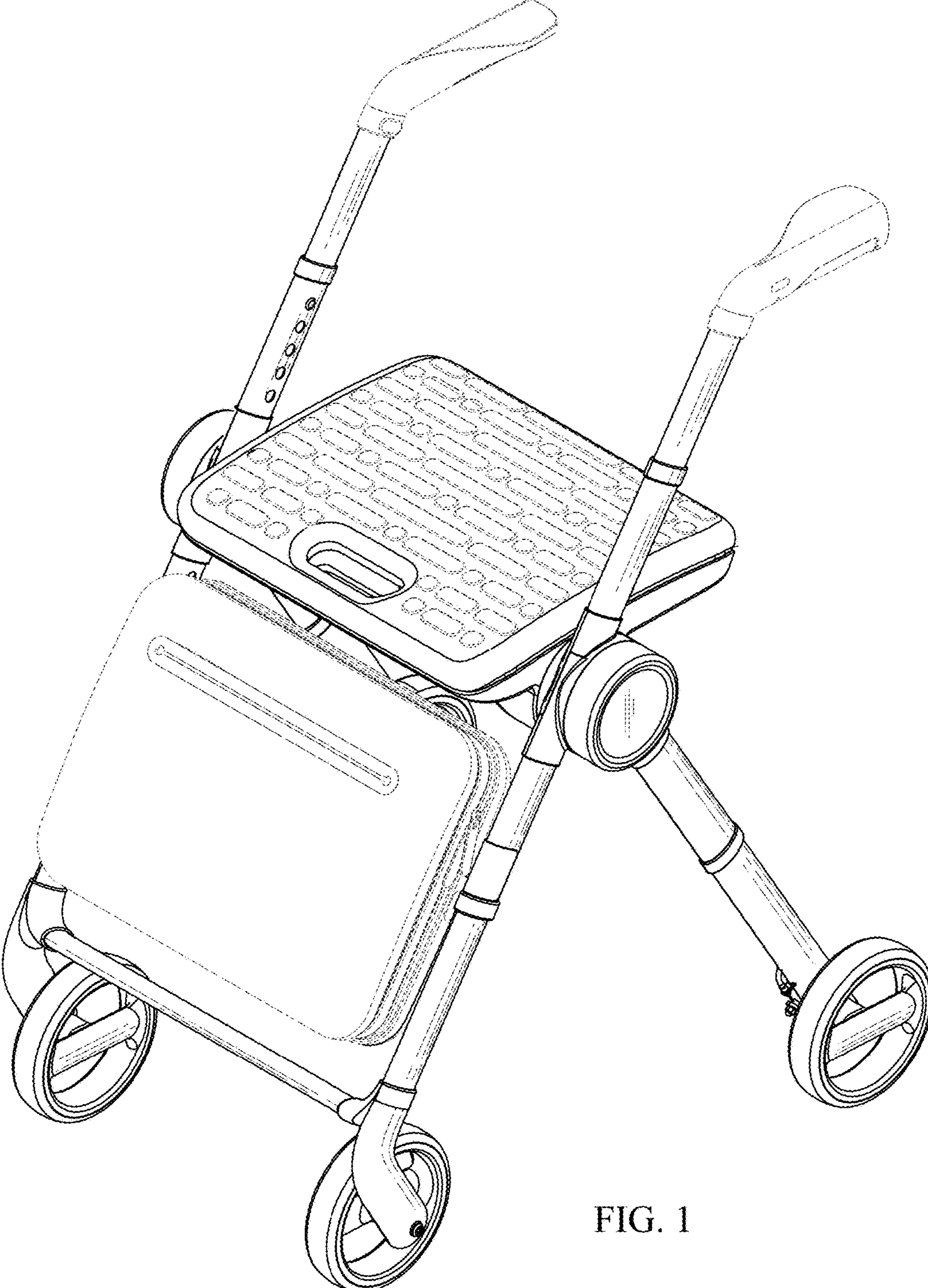


FIG. 1

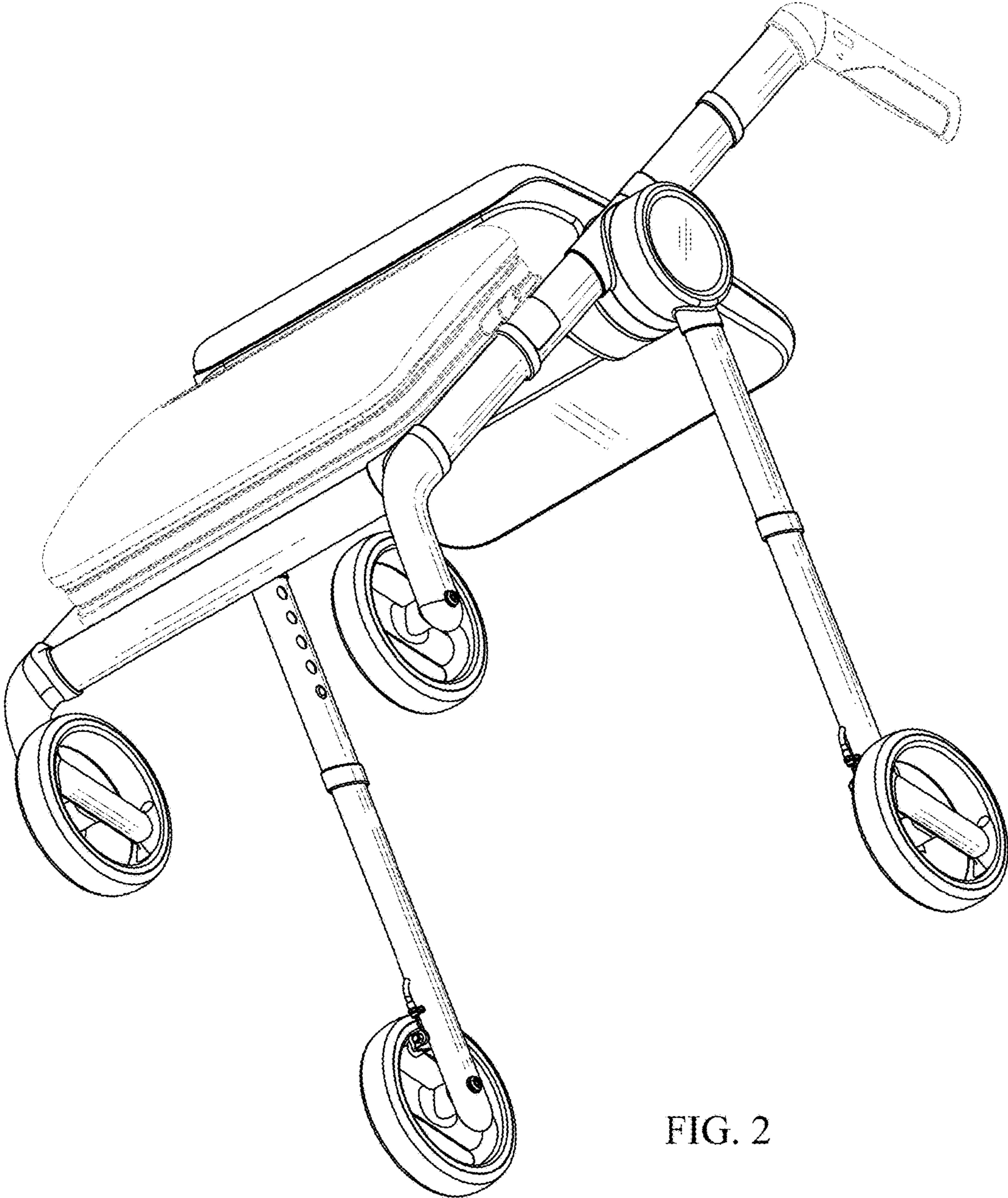


FIG. 2

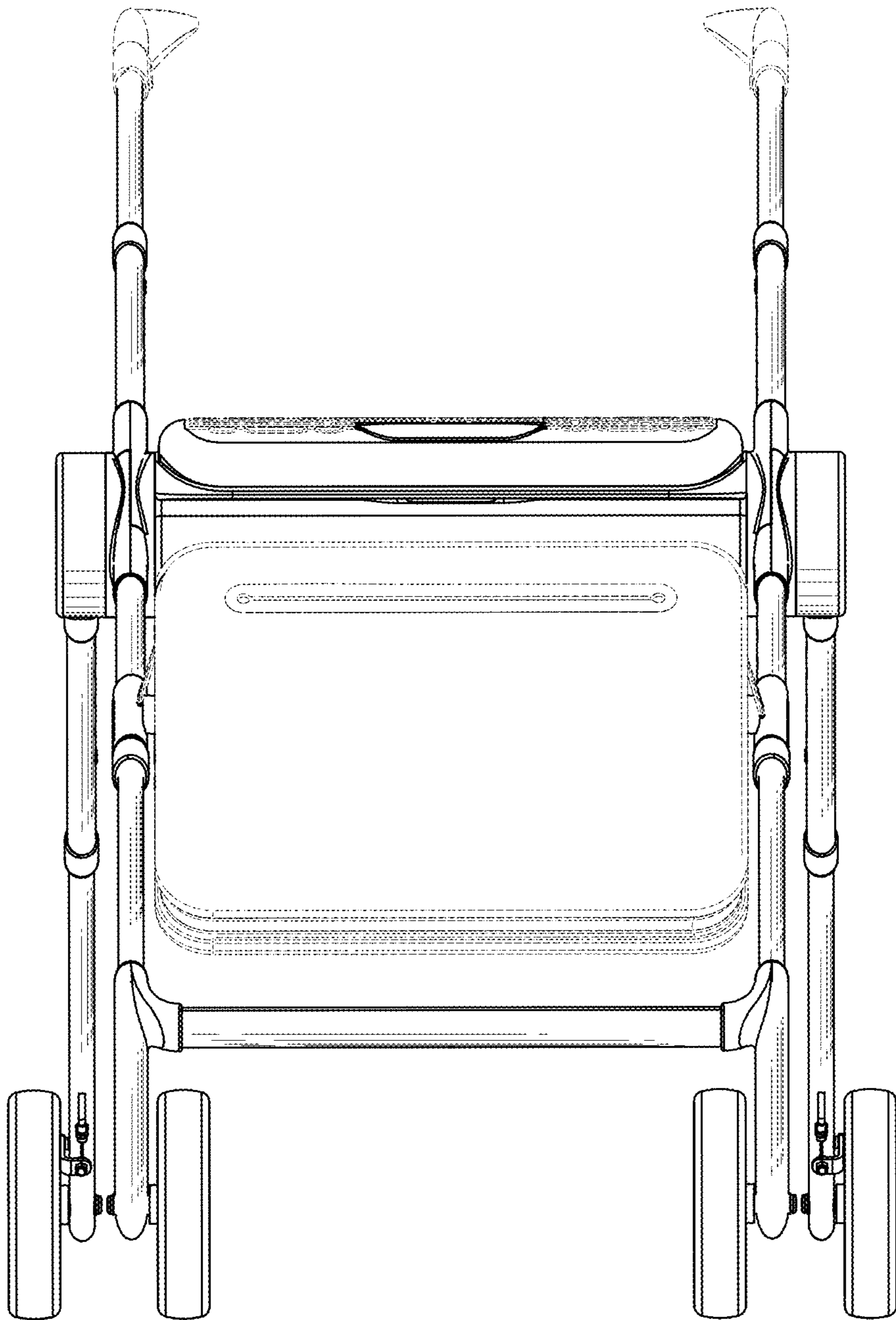


FIG. 3

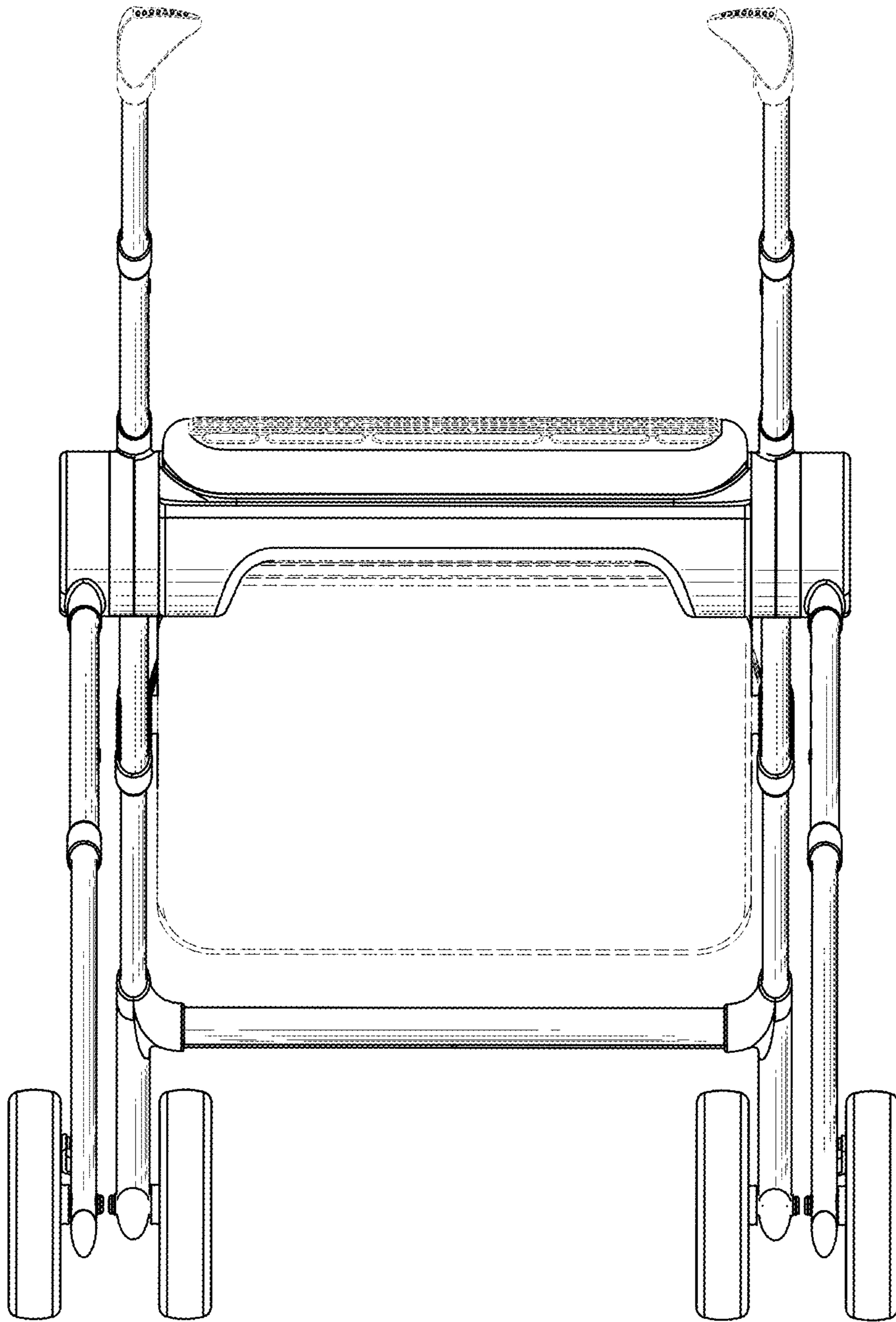


FIG. 4

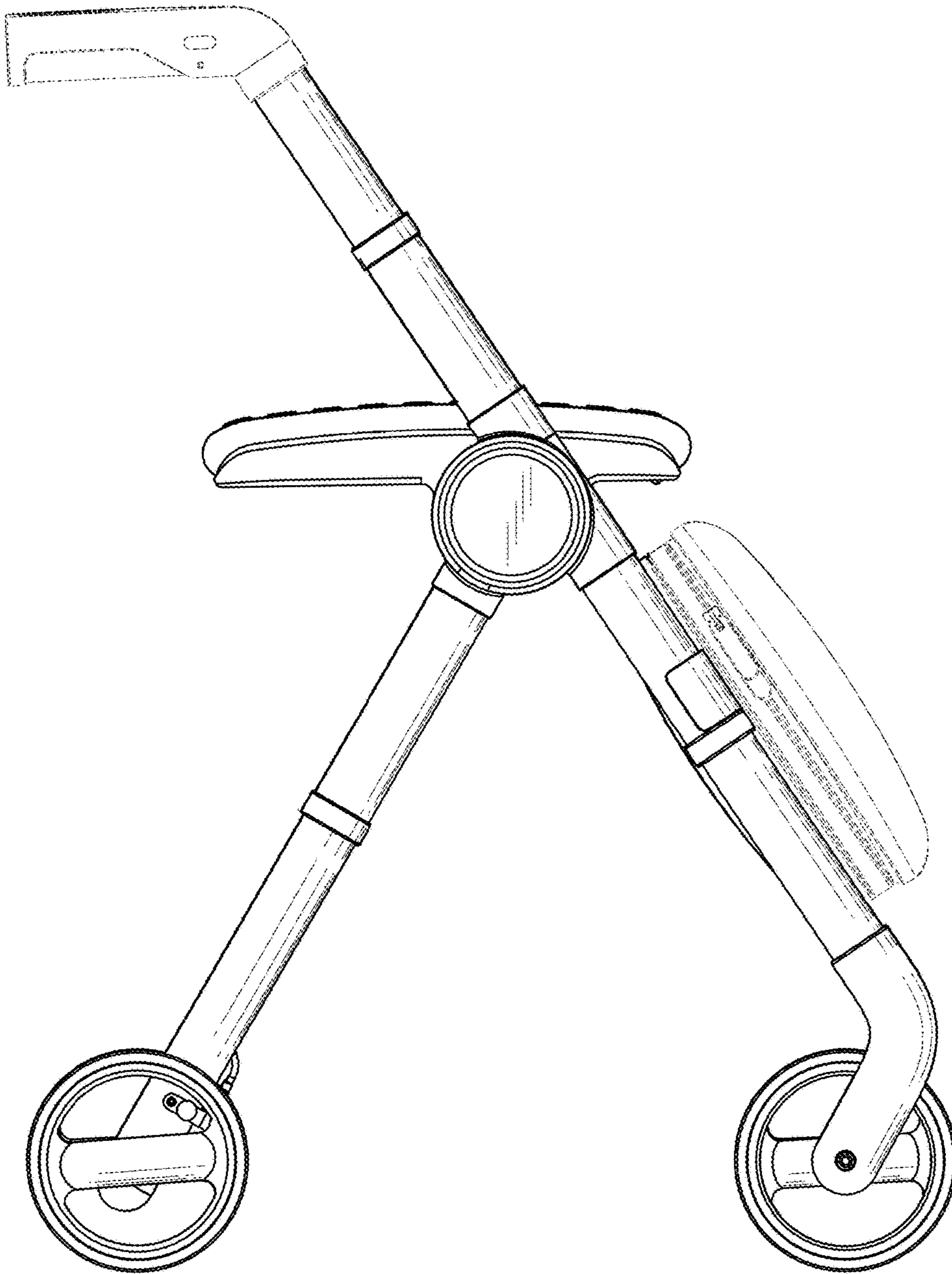


FIG. 5



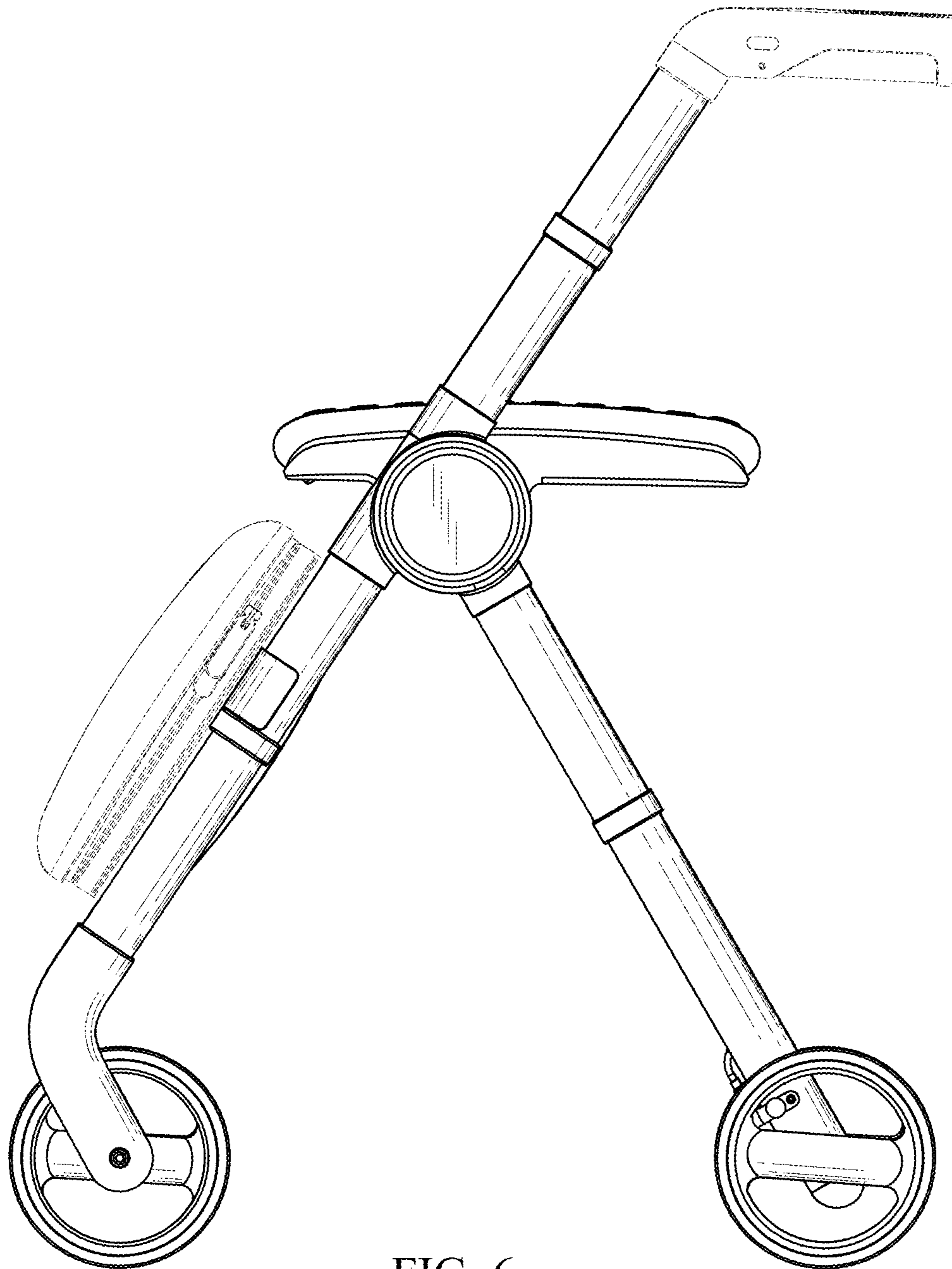


FIG. 6

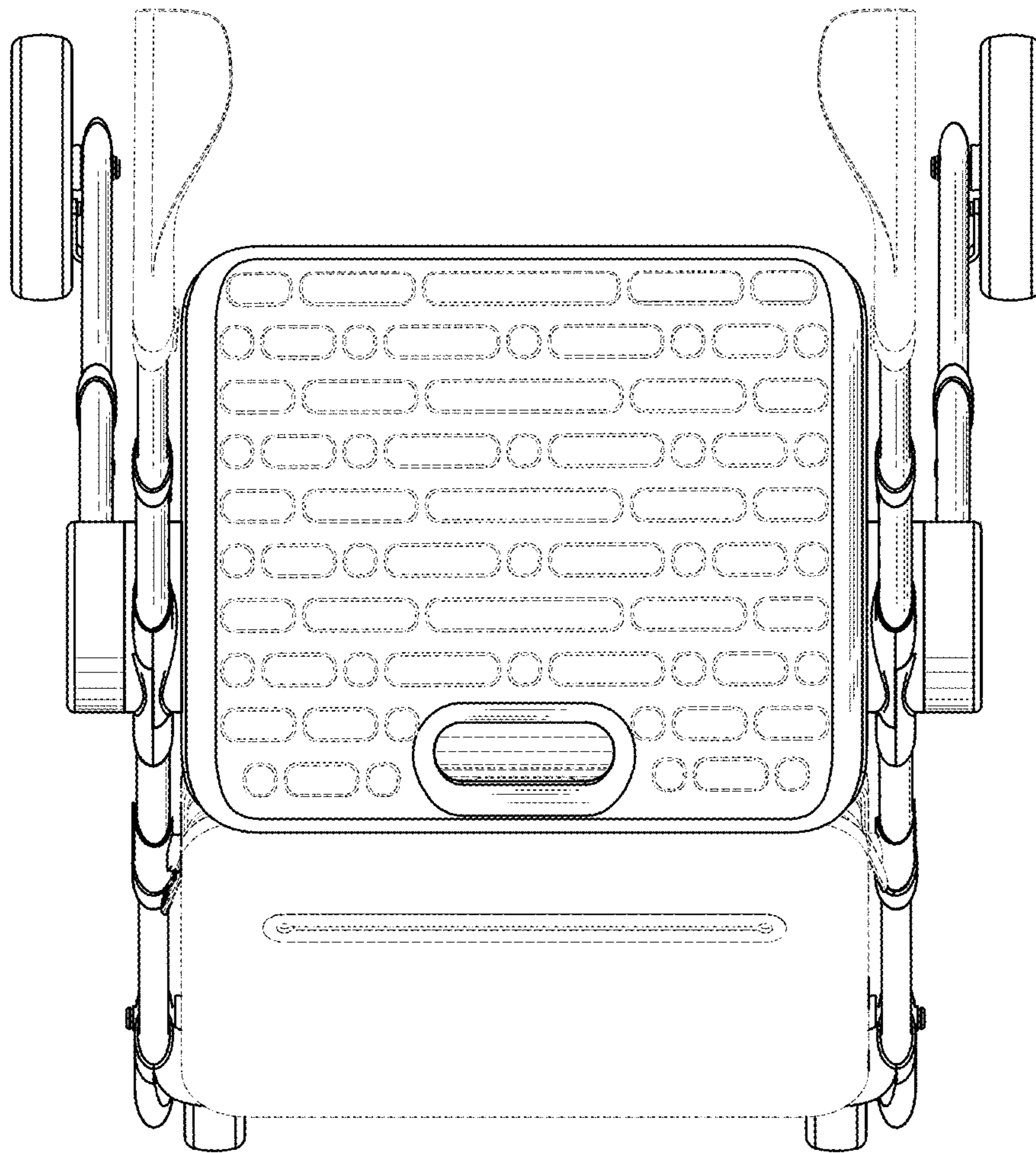


FIG. 7

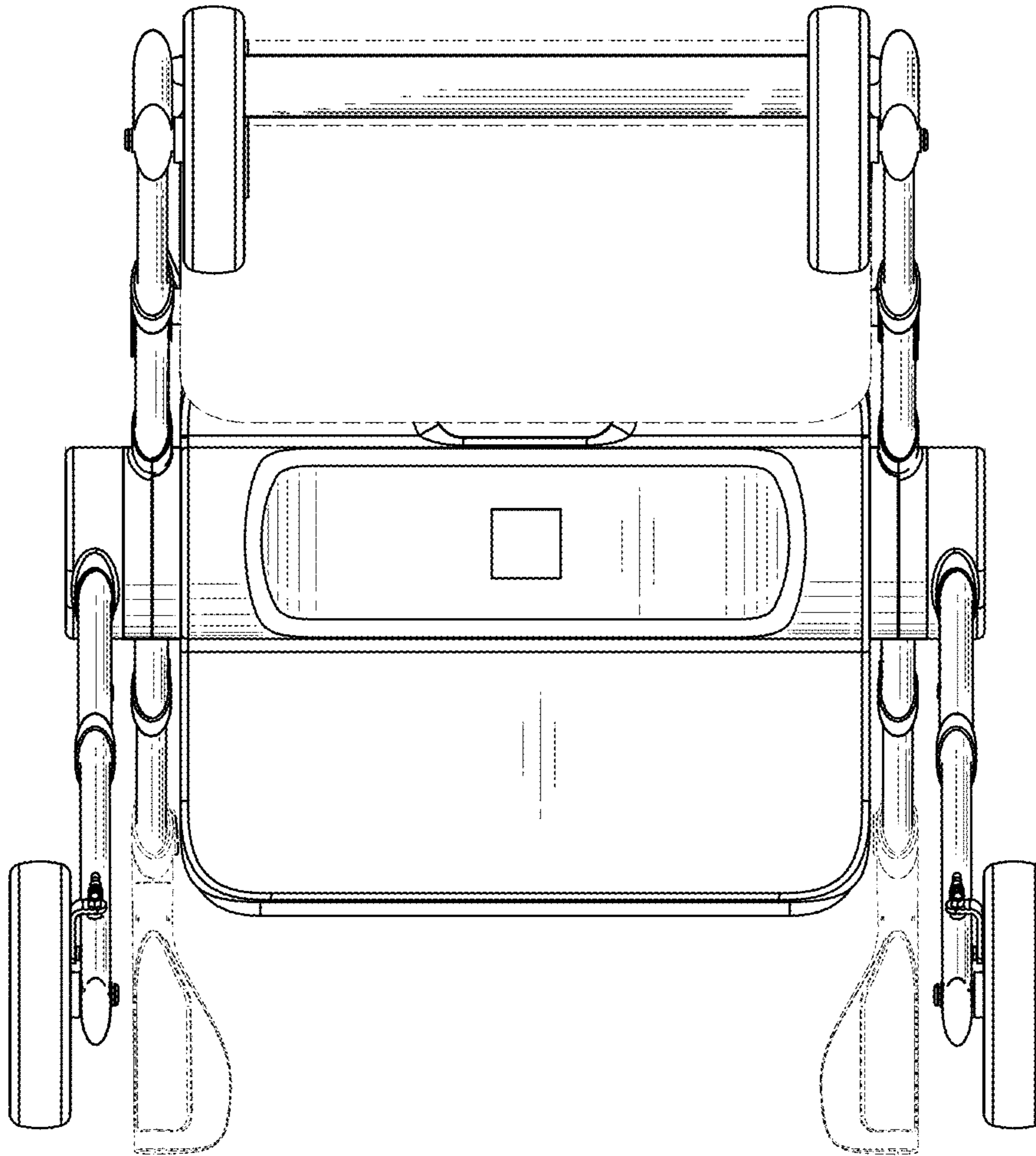


FIG. 8

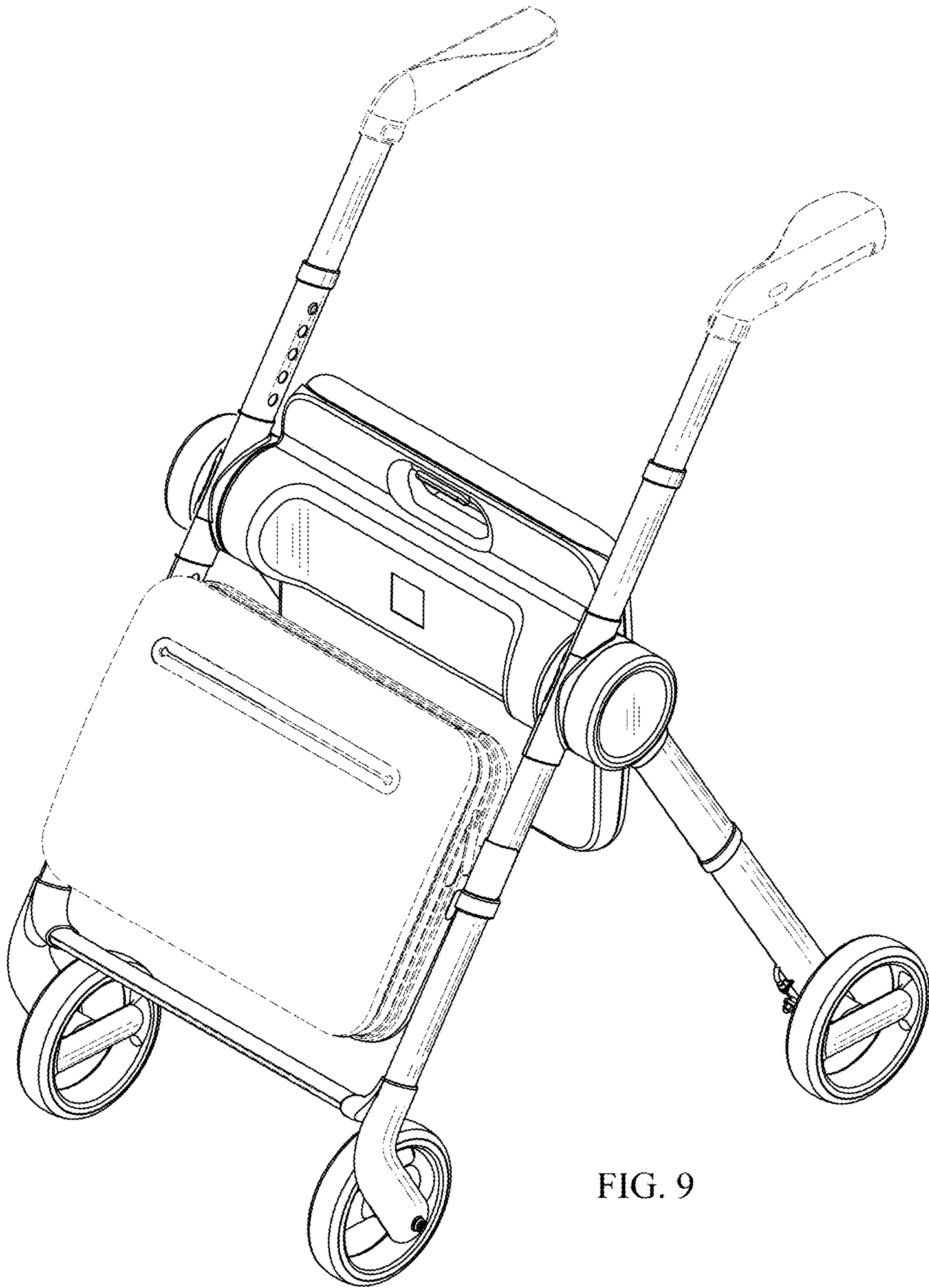


FIG. 9

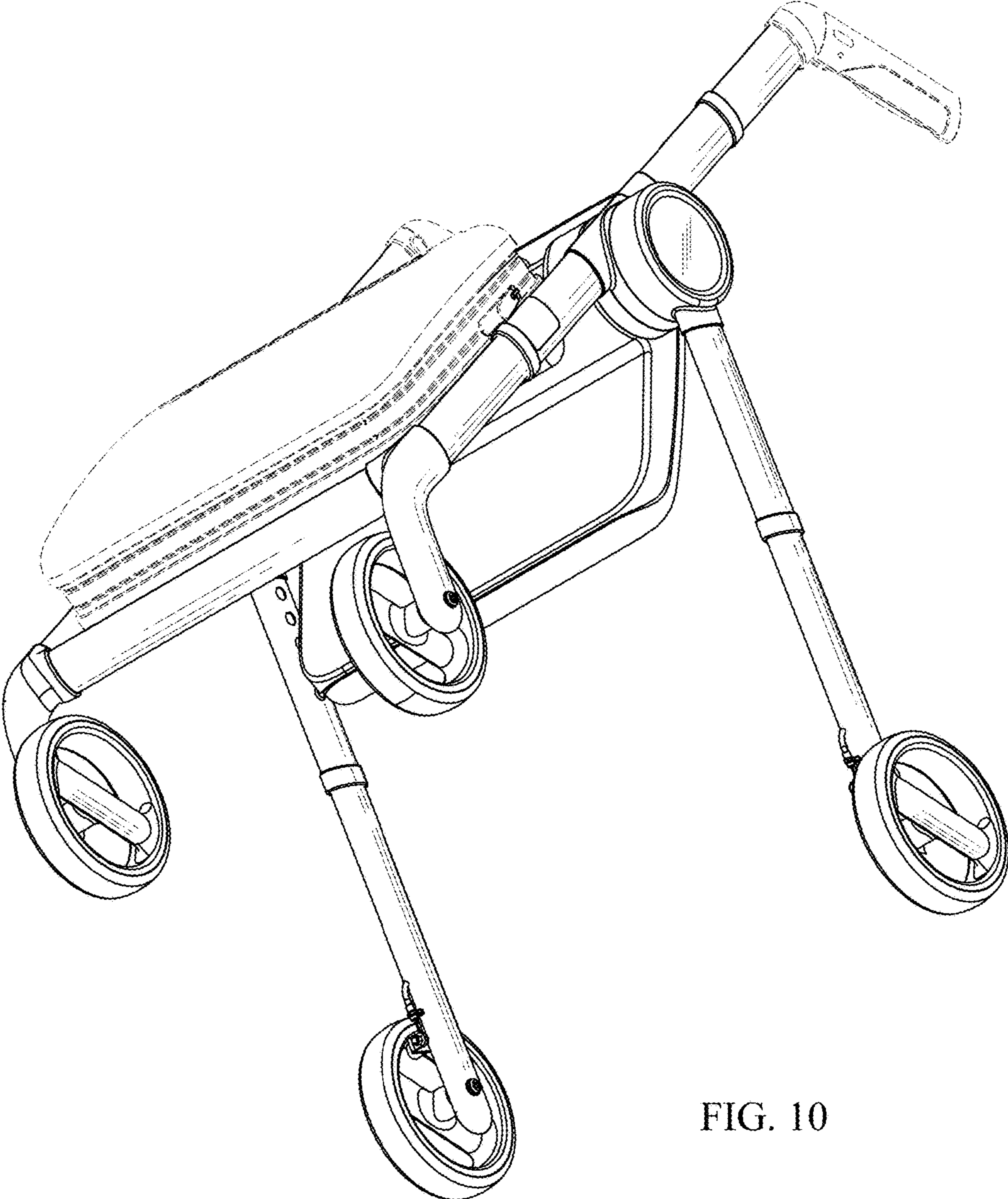


FIG. 10

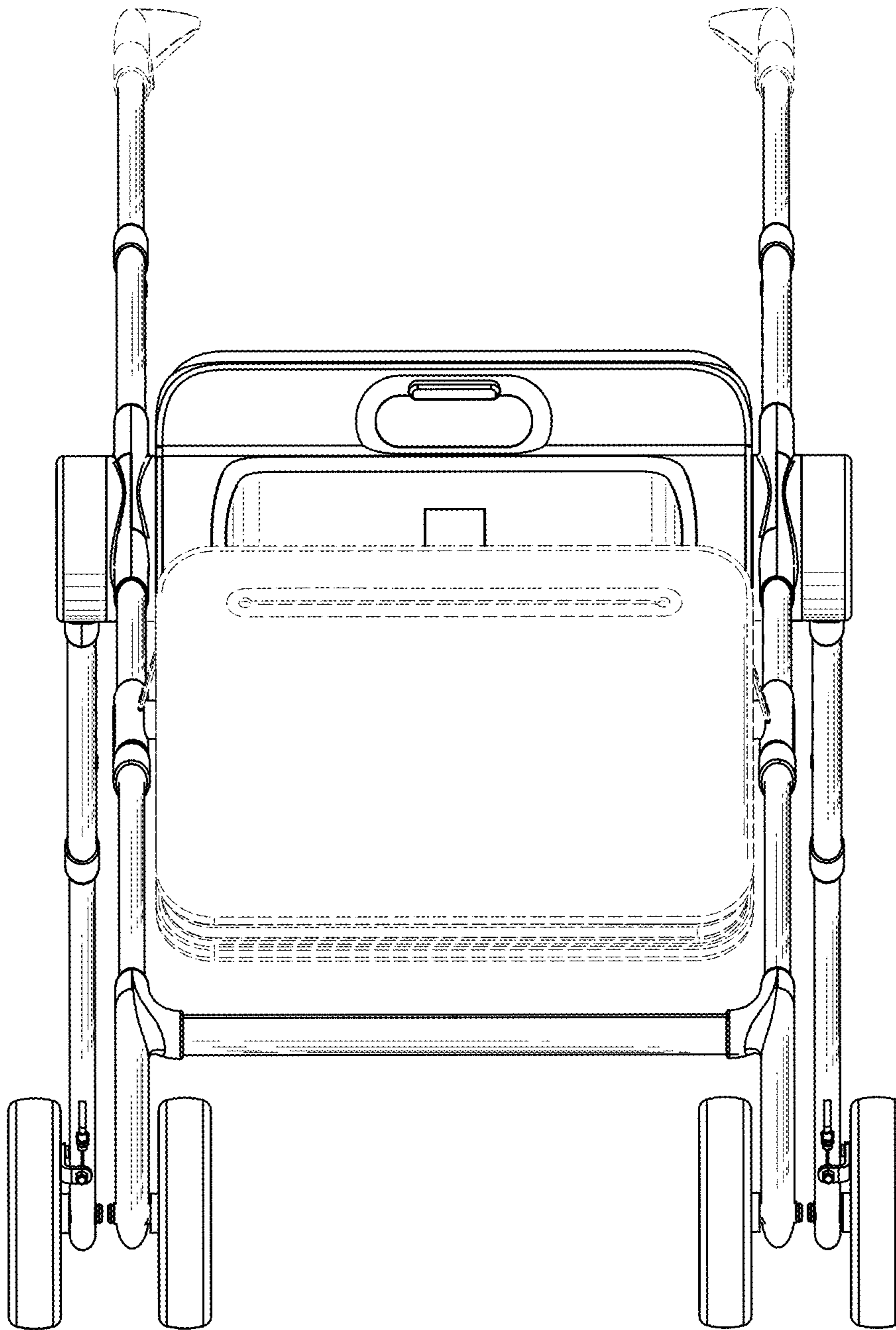


FIG. 11

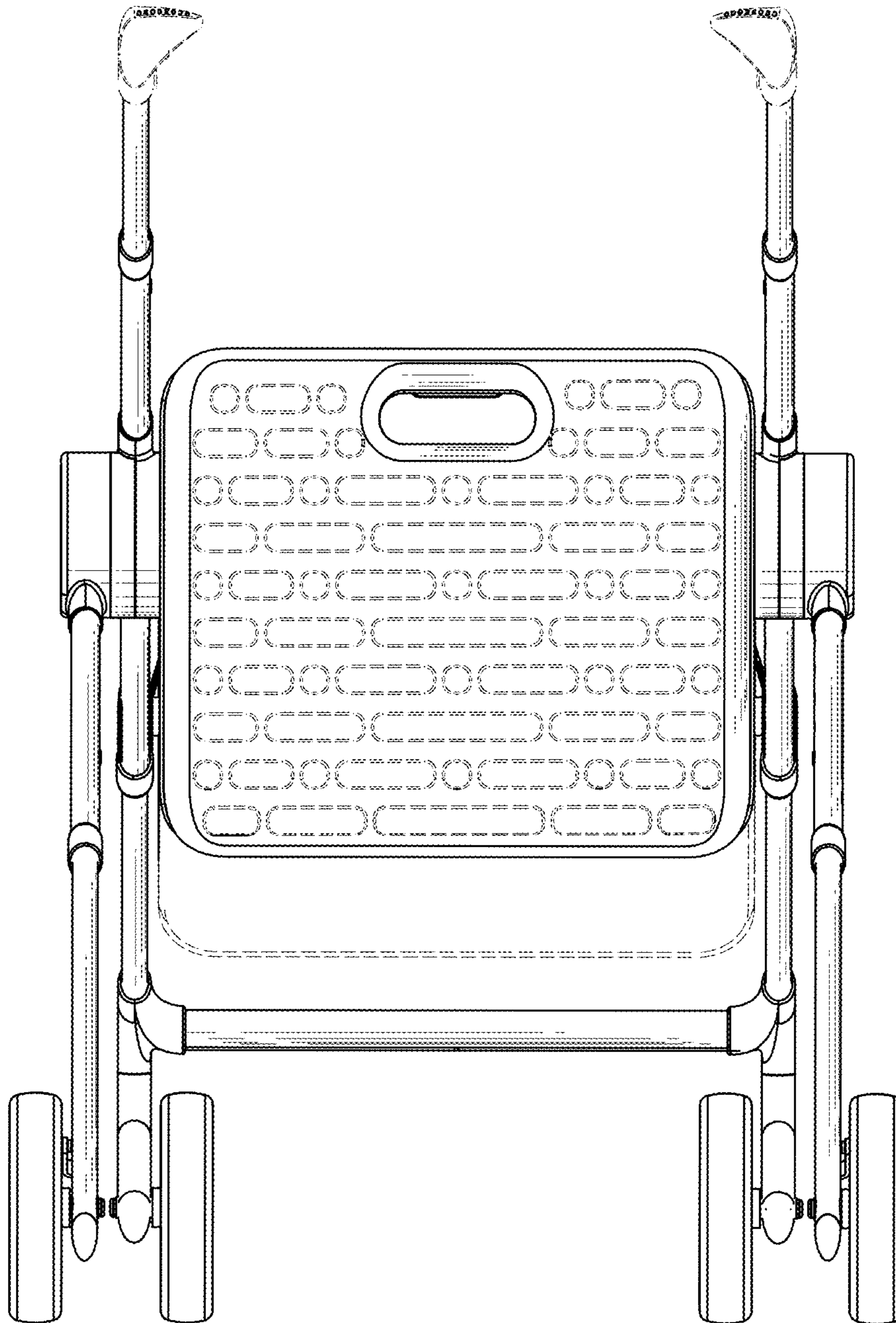


FIG. 12

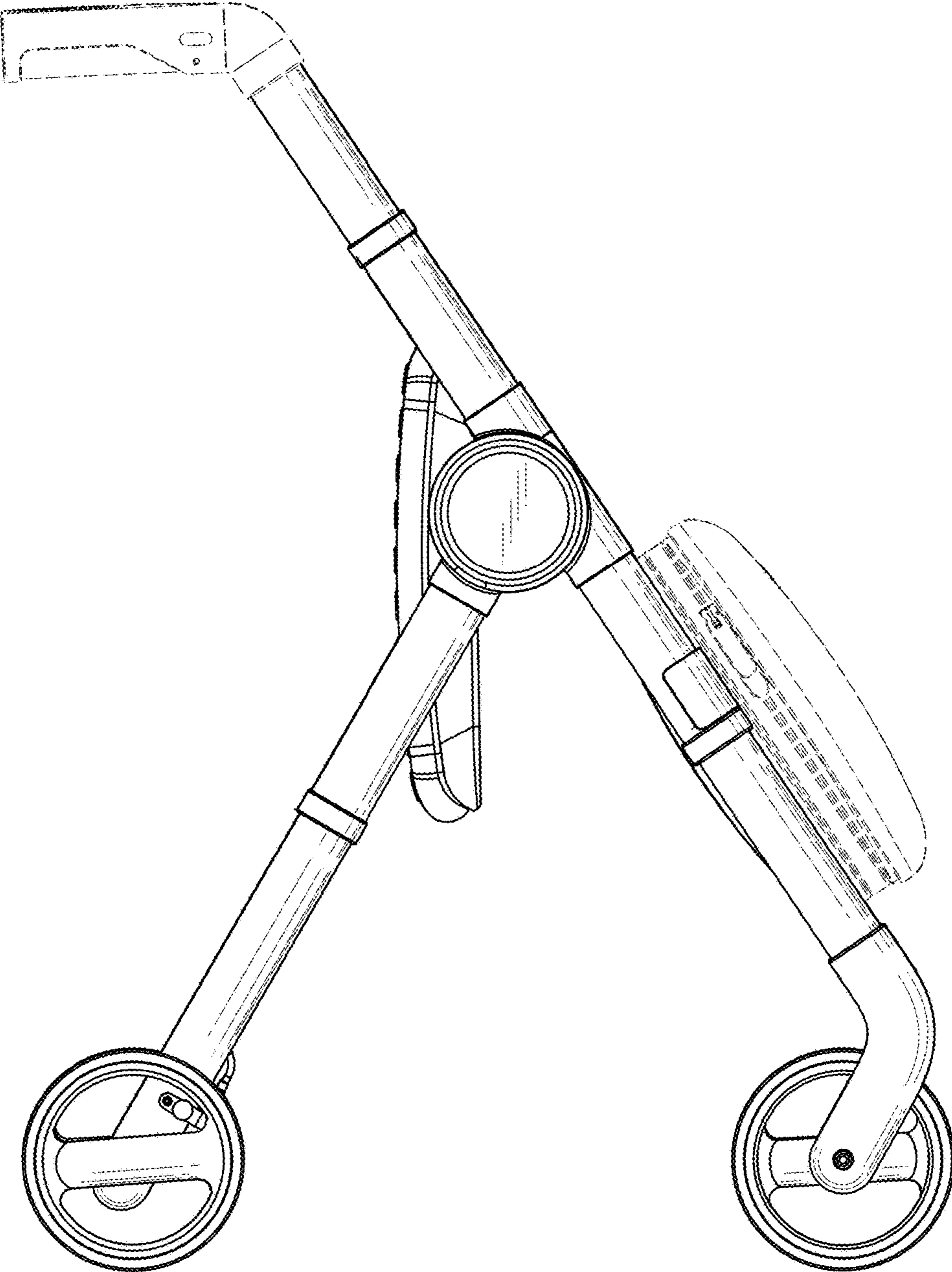


FIG. 13



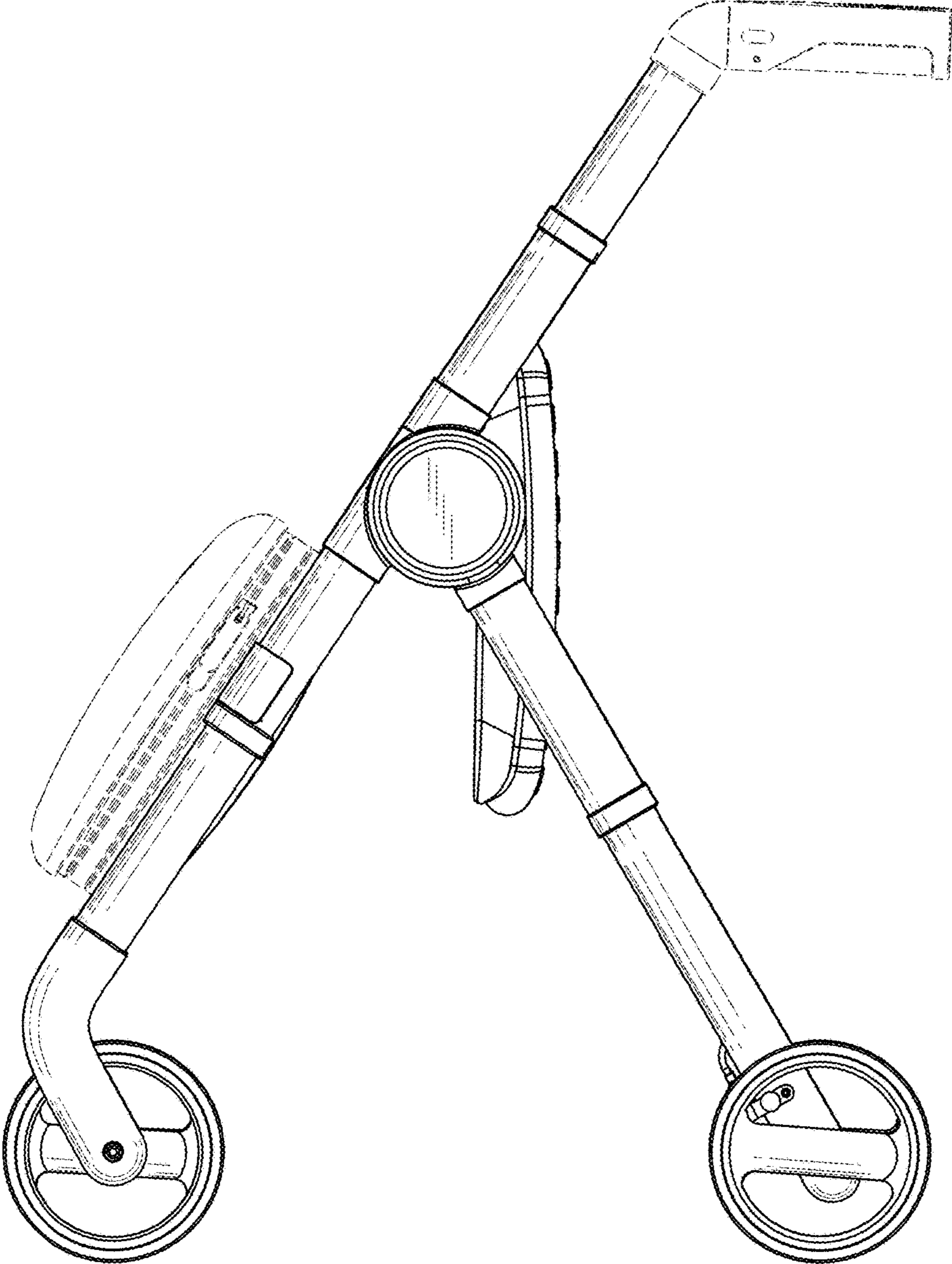


FIG. 14

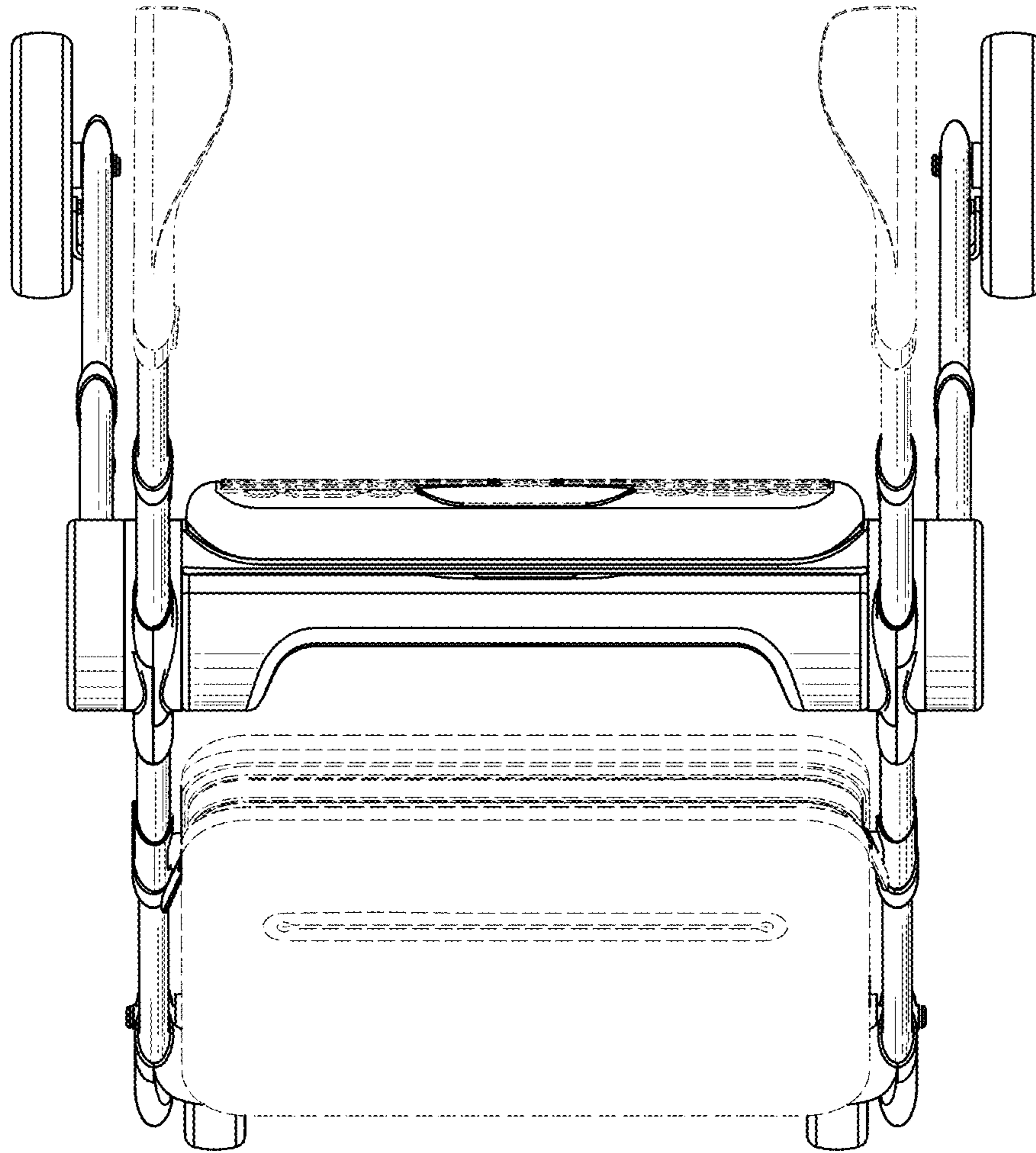


FIG. 15

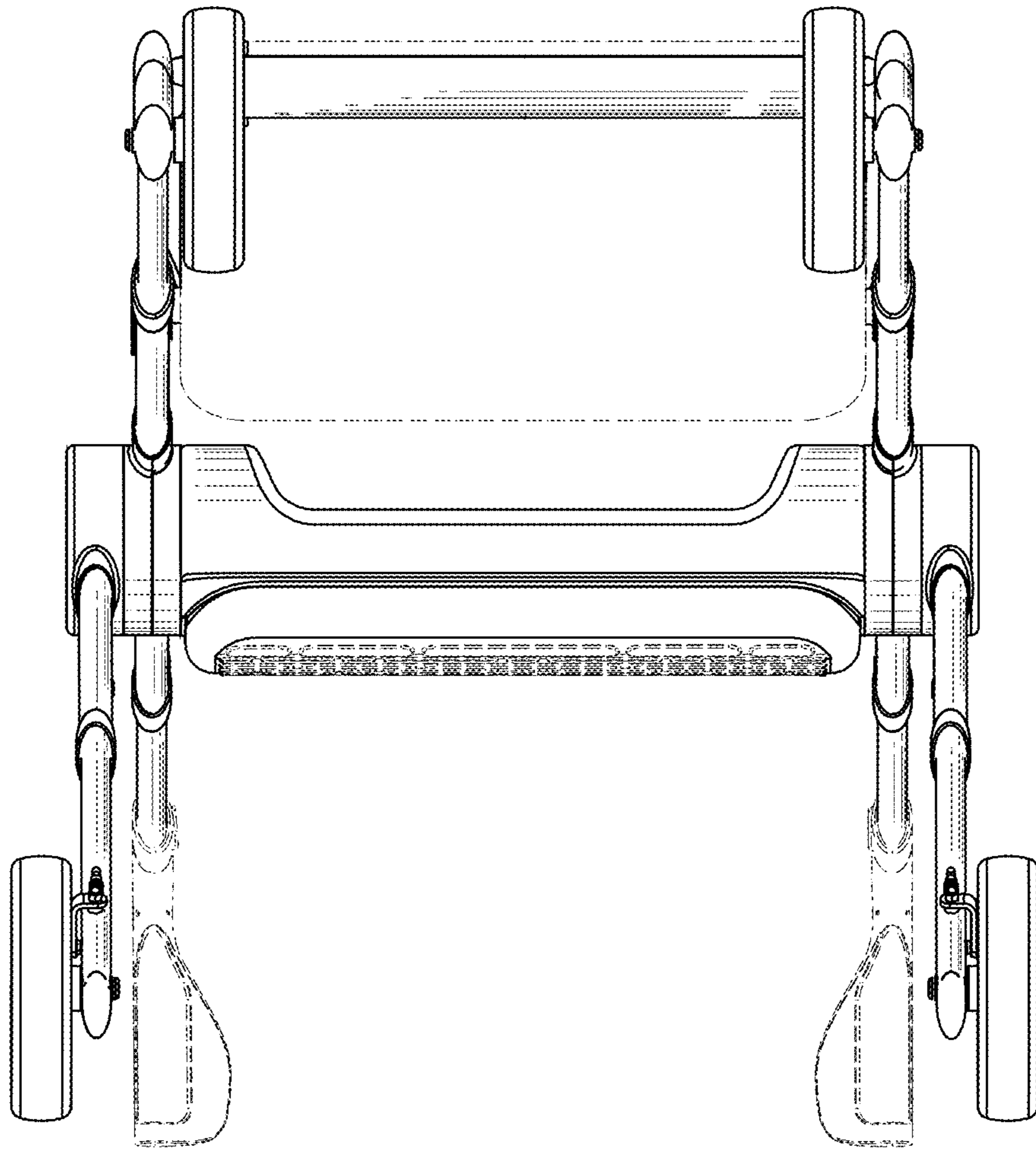


FIG. 16

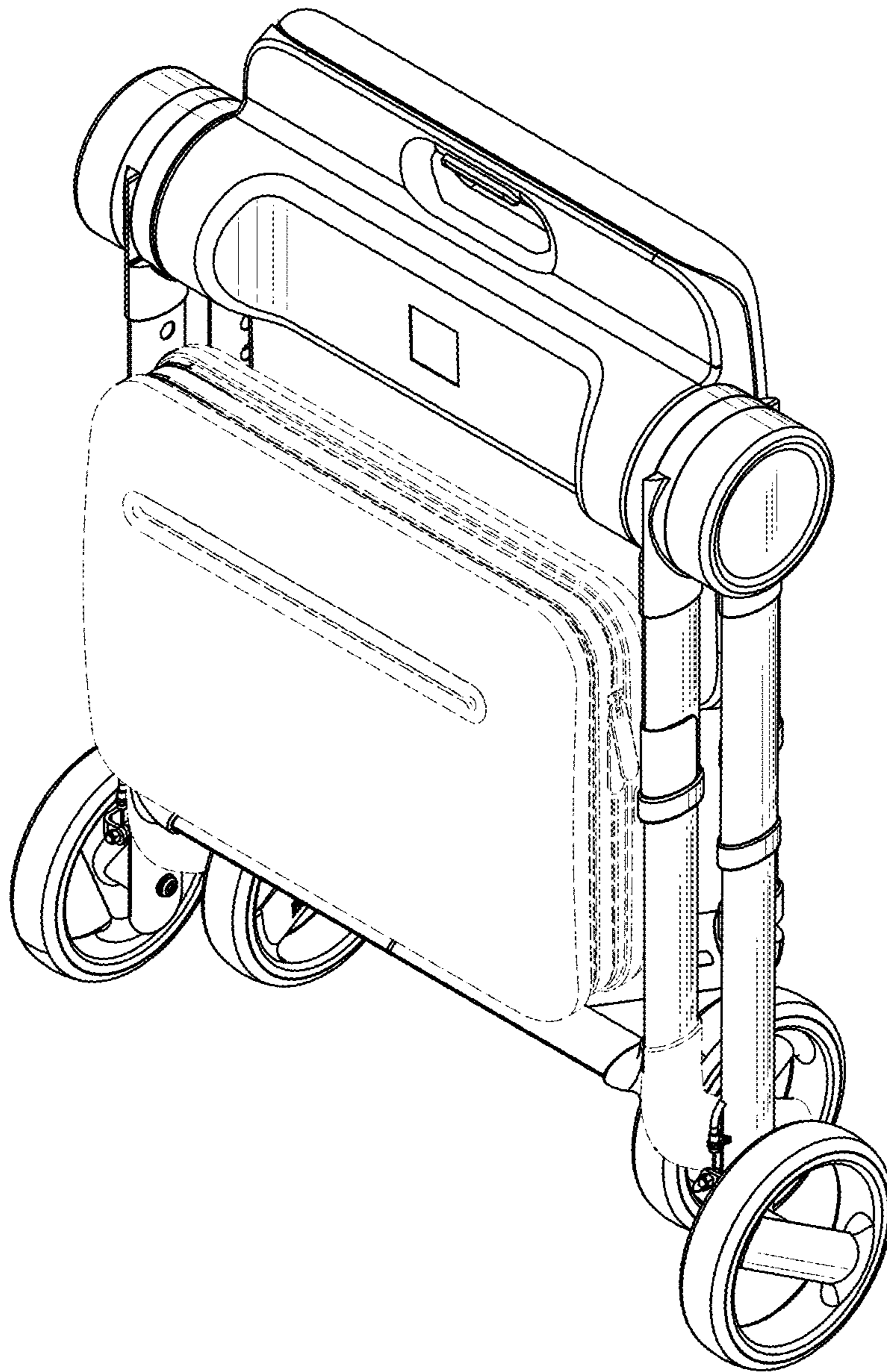


FIG. 17

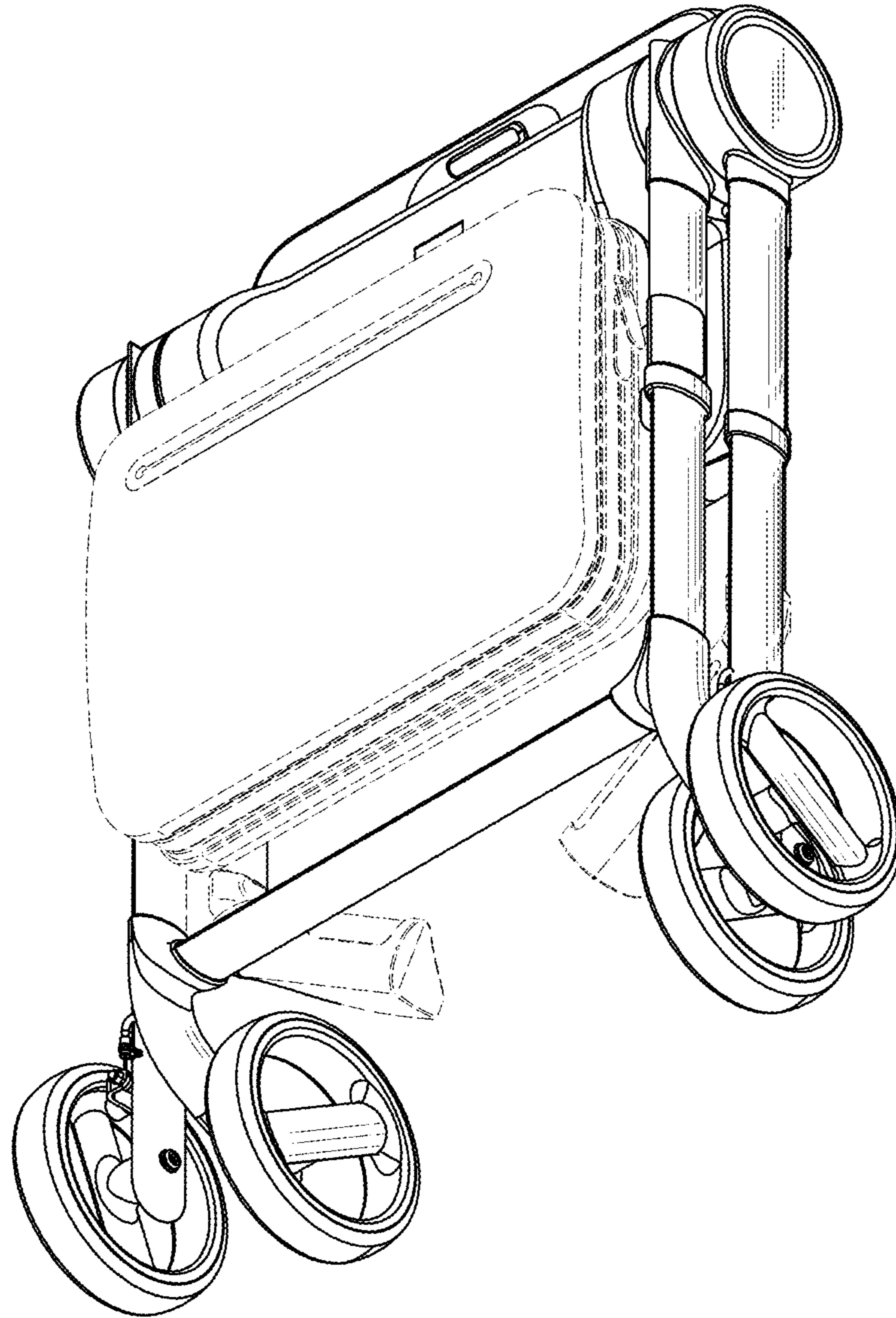


FIG. 18

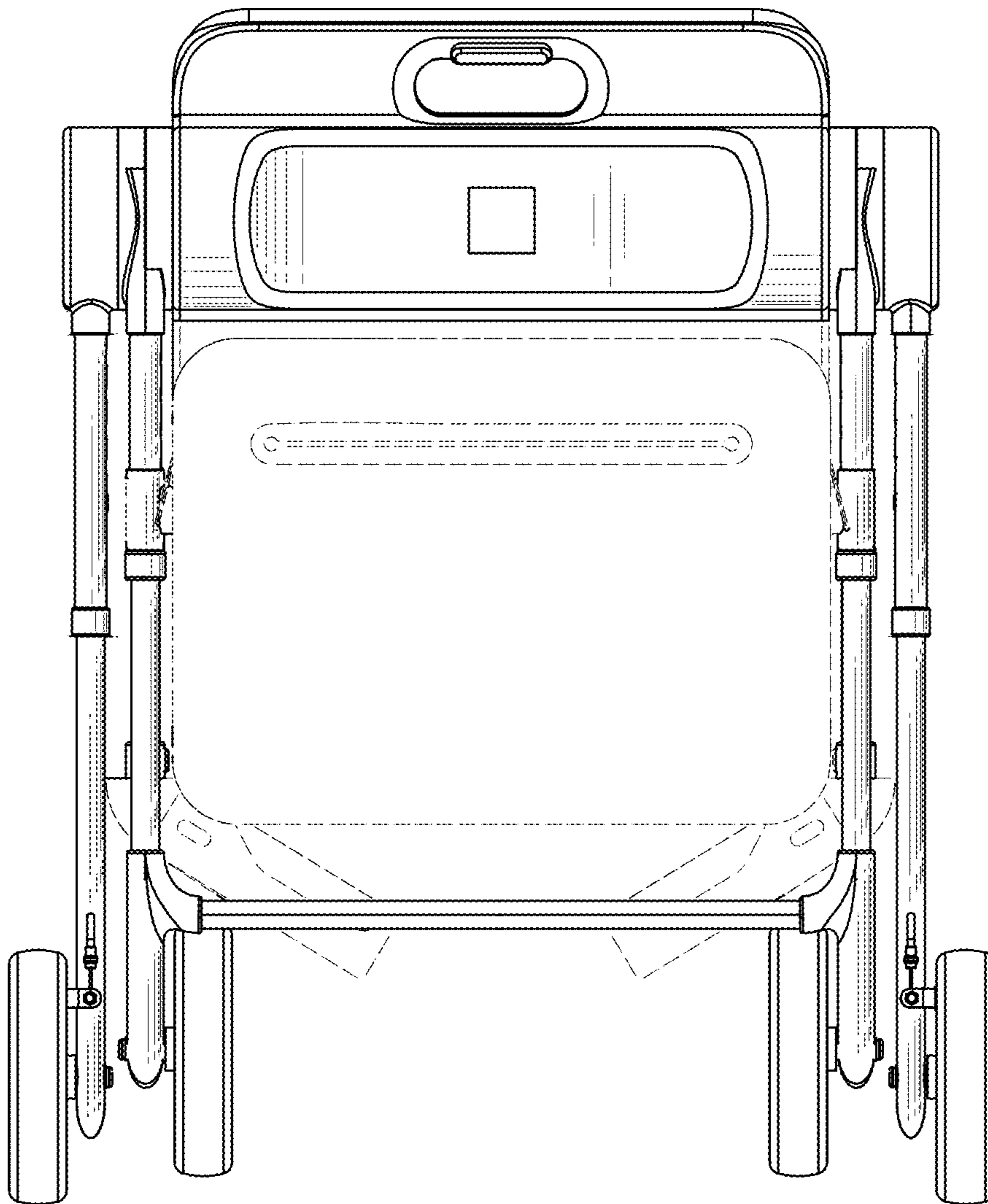


FIG. 19

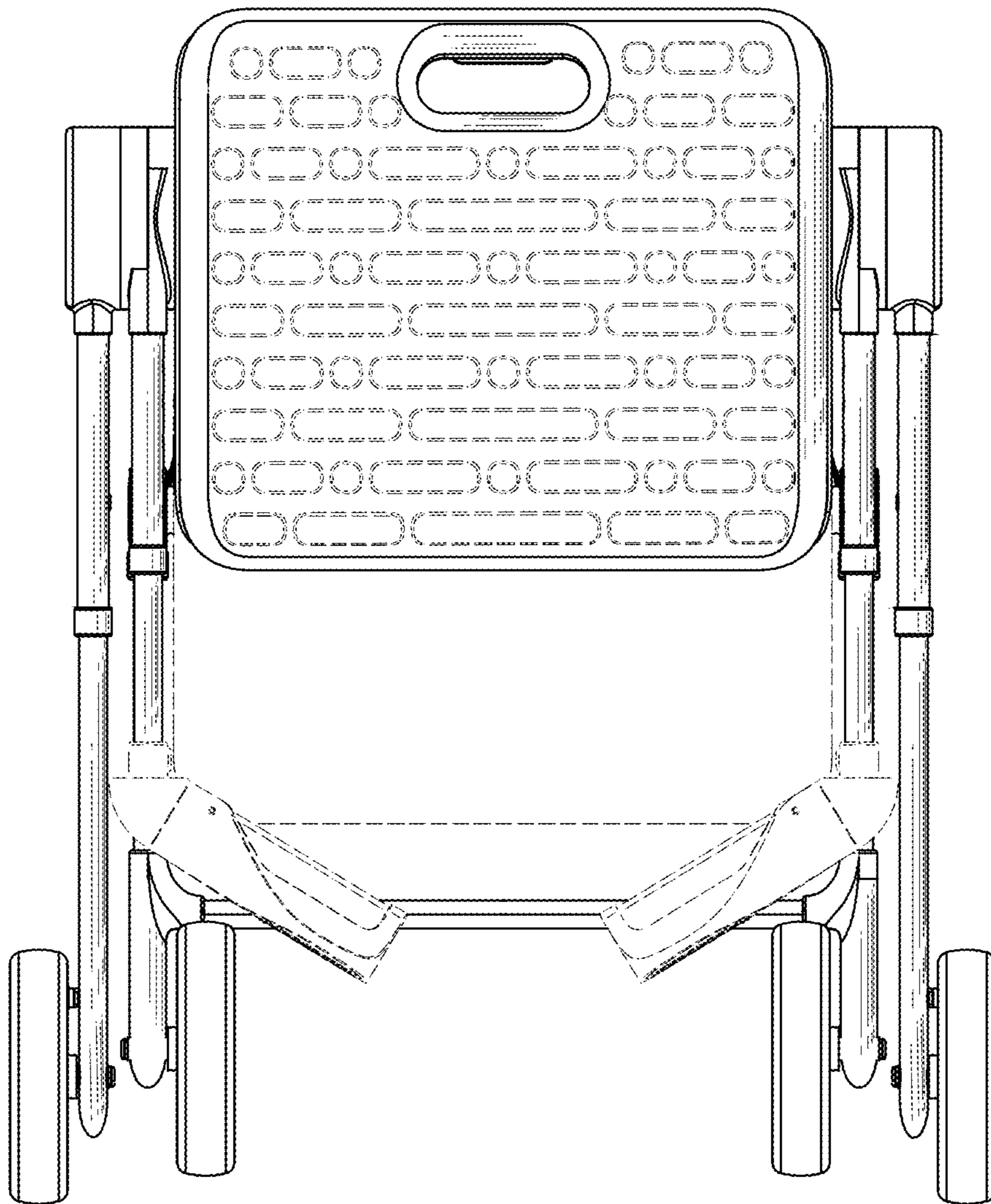


FIG. 20

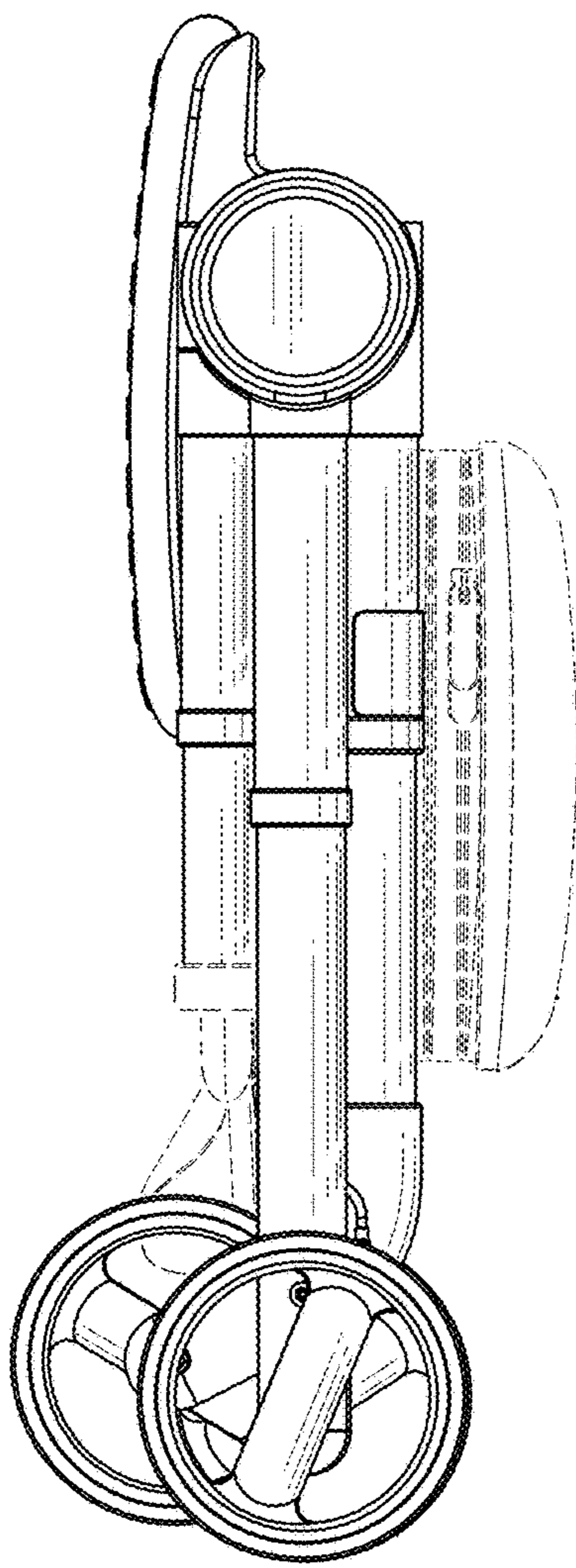


FIG. 21

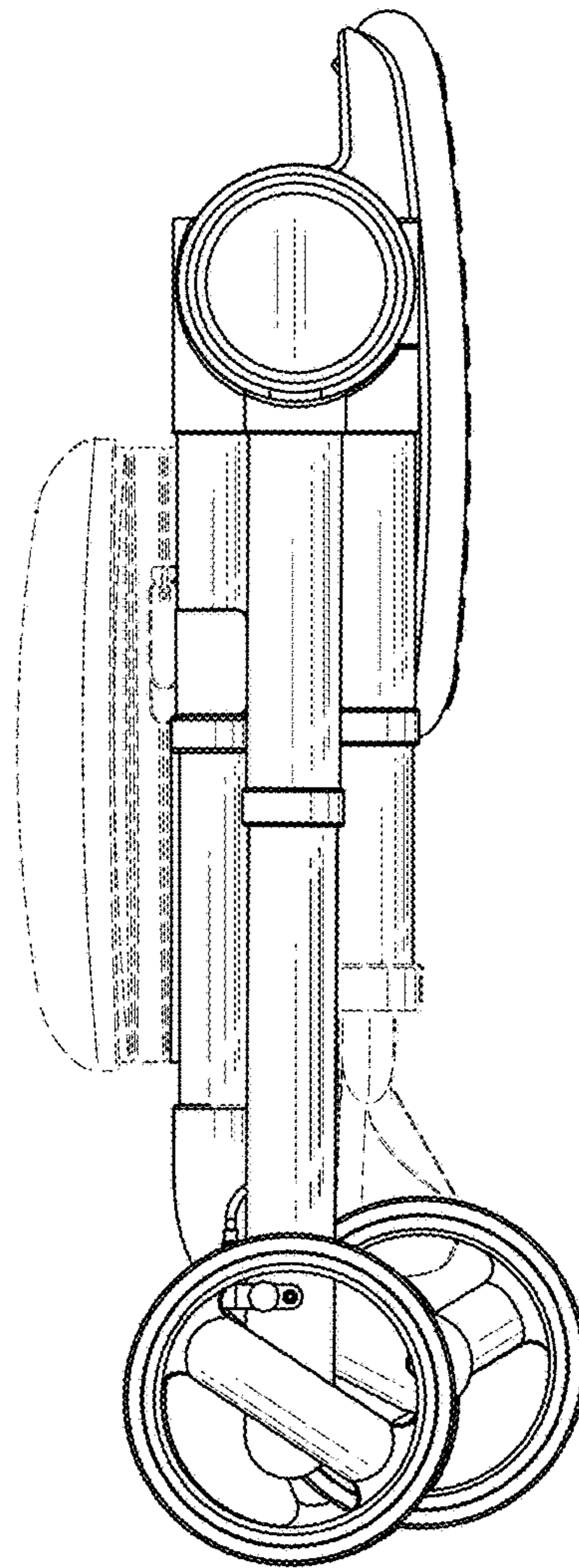


FIG. 22



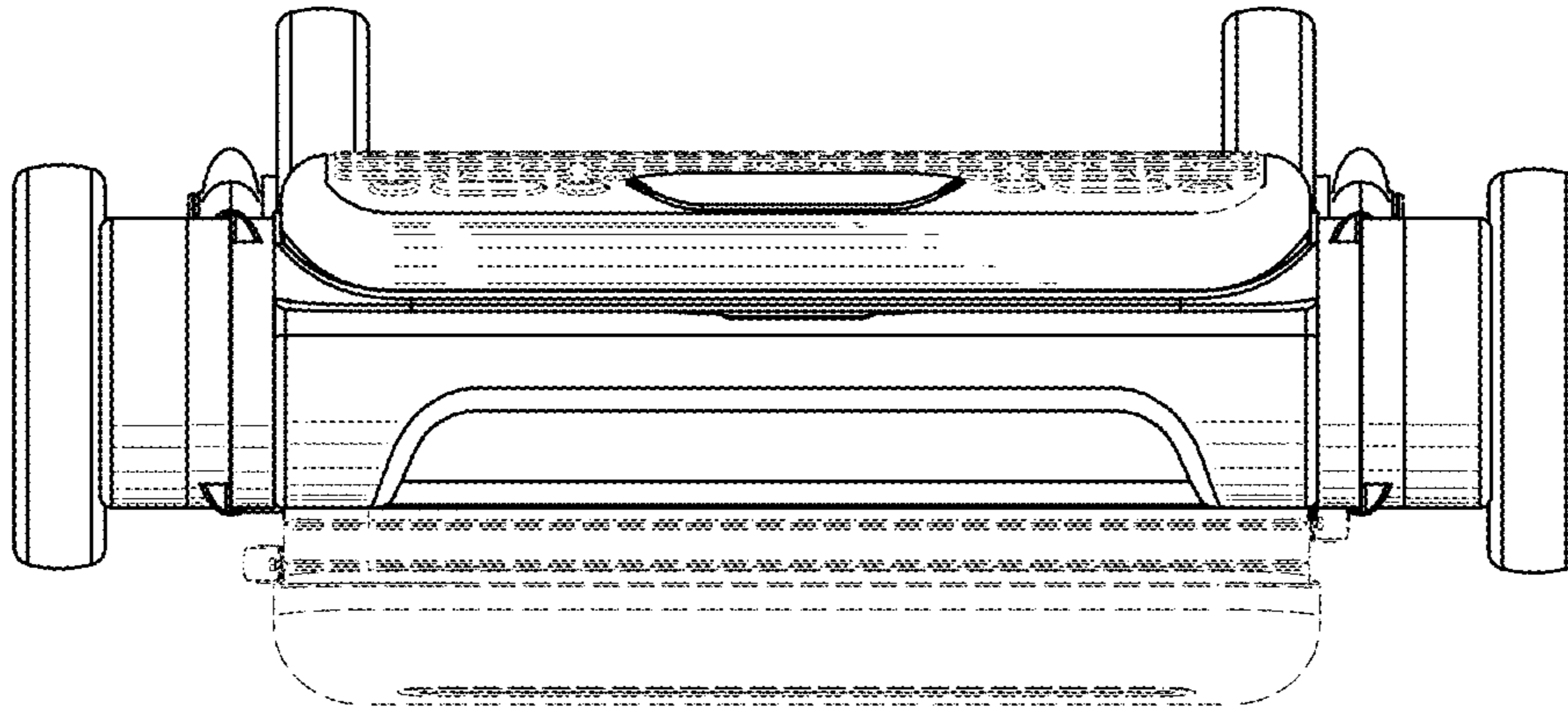


FIG. 23

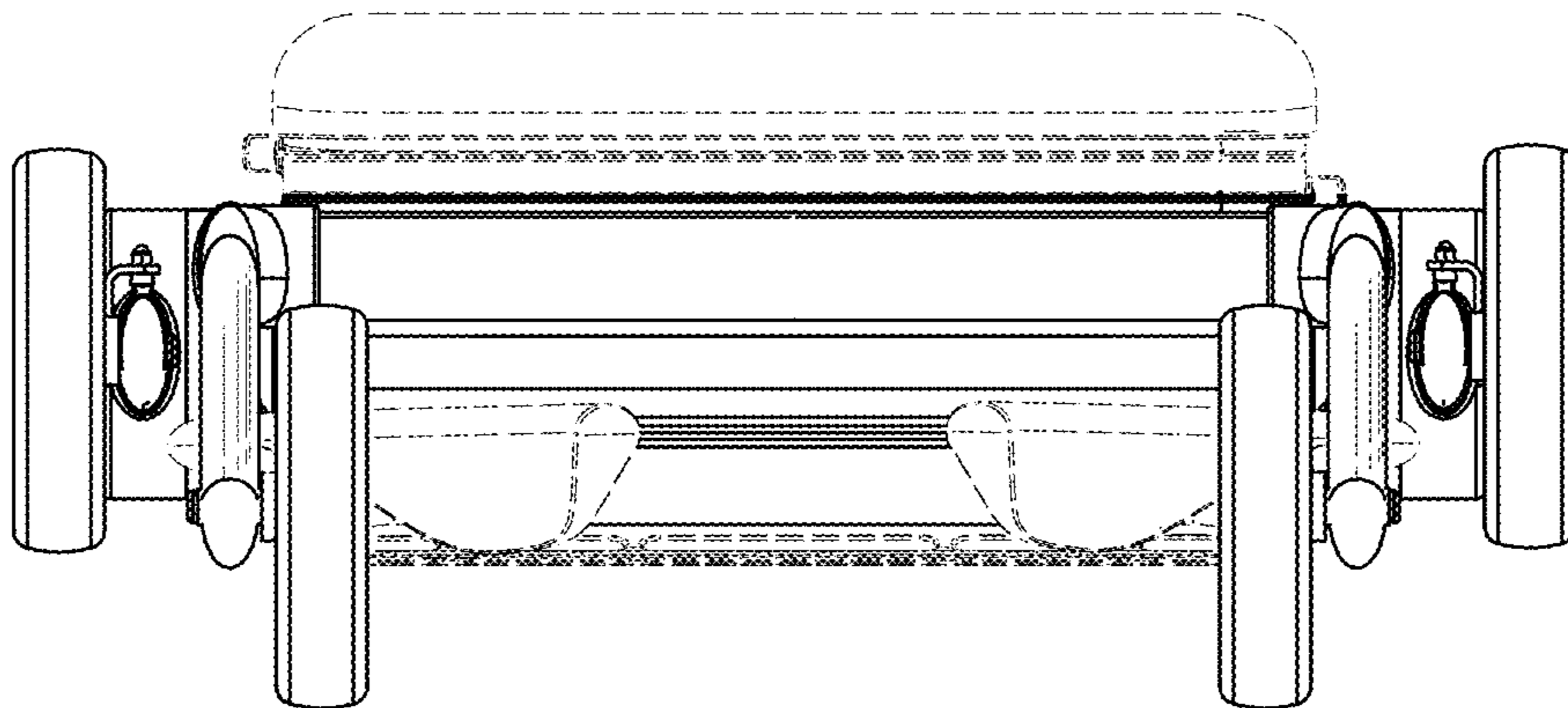


FIG. 24