



US00D834457S

(12) **United States Design Patent** (10) **Patent No.:** **US D834,457 S**  
**Laffan et al.** (45) **Date of Patent:** **\*\* Nov. 27, 2018**

(54) **STROLLER SYSTEM WITH AN EXPANDABLE BASE**

(71) Applicant: **Austlen Baby Co.**, Berwyn, PA (US)

(72) Inventors: **Patrick William Laffan**, Berwyn, PA (US); **Leslie Stiba**, Pflugerville, TX (US)

(73) Assignee: **Austlen Baby Co.**, Berwyn, PA (US)

(\*\*) Term: **15 Years**

(21) Appl. No.: **29/621,501**

(22) Filed: **Oct. 9, 2017**

**Related U.S. Application Data**

(62) Division of application No. 29/540,673, filed on Sep. 25, 2015, now Pat. No. Des. 802,489.

(51) **LOC (11) Cl.** ..... **12-12**

(52) **U.S. Cl.**  
USPC ..... **D12/129**

(58) **Field of Classification Search**  
USPC ..... D12/129, 133

(Continued)

(56) **References Cited**

**U.S. PATENT DOCUMENTS**

6,676,140 B1 \* 1/2004 Gondobintoro ..... B62B 7/08  
280/33.993  
8,807,588 B2 \* 8/2014 Thomas ..... B62B 7/14  
280/47.4

(Continued)

*Primary Examiner* — Charles D Hanson

(74) *Attorney, Agent, or Firm* — DLA Piper LLP (US)

(57) **CLAIM**

The ornamental design for a stroller system with an expandable base, as shown and described.

**DESCRIPTION**

FIG. 1 is a rear view of a stroller system with an expandable base.

FIG. 2 is a right side view thereof, in a non-expanded state. This view is a mirror image of the left side view.

FIG. 3 is a bottom view of thereof, in a non-expanded state. FIG. 4 is a front right side perspective view thereof, in a non-expanded state. This view is a mirror image of the front left perspective view.

FIG. 5 is a rear right side perspective view thereof, in a non-expanded state. This view is a mirror image of the left rear perspective view.

FIG. 6 is a top view thereof, in a non-expanded state.

FIG. 7 is a front right side perspective view thereof, in a non-expanded state, wherein the basket is stowed. This view is a mirror image of the left front perspective view.

FIG. 8 is a rear right side perspective view thereof, in a non-expanded state, wherein the basket is stowed. This view is a mirror image of the rear left perspective view.

FIG. 9 is a rear view thereof, in a partially-expanded state.

FIG. 10 is a right side view thereof, in a partially-expanded state. This view is a mirror image of the left side view.

FIG. 11 is a bottom view thereof, in a partially-expanded state.

FIG. 12 is a front right side perspective view thereof, in a partially-expanded state. This view is a mirror image of the front left side perspective view.

FIG. 13 is a rear right side perspective view thereof, in a partially-expanded state. This view is a mirror image of the rear left side perspective view.

FIG. 14 is a top view thereof, in a partially-expanded state.

FIG. 15 is a front right side perspective view thereof, in a partially-expanded state, wherein the basket is stowed. This view is a mirror image of the front left side perspective view.

FIG. 16 is a rear right side perspective view thereof, in a partially-expanded state, wherein the basket is stowed. This view is a mirror image of the rear left side perspective view.

FIG. 17 is a rear view thereof, in a fully expanded state.

FIG. 18 is a right side view thereof, in a fully expanded state. This view is a mirror image of the left side view.

FIG. 19 is a bottom view thereof, in a fully expanded state.

FIG. 20 is a front right side perspective view thereof, in a fully expanded state. This view is a mirror image of the front left side perspective view.

FIG. 21 is a rear right side perspective view thereof, in a fully expanded state. This view is a mirror image of the rear left side perspective view.

(Continued)

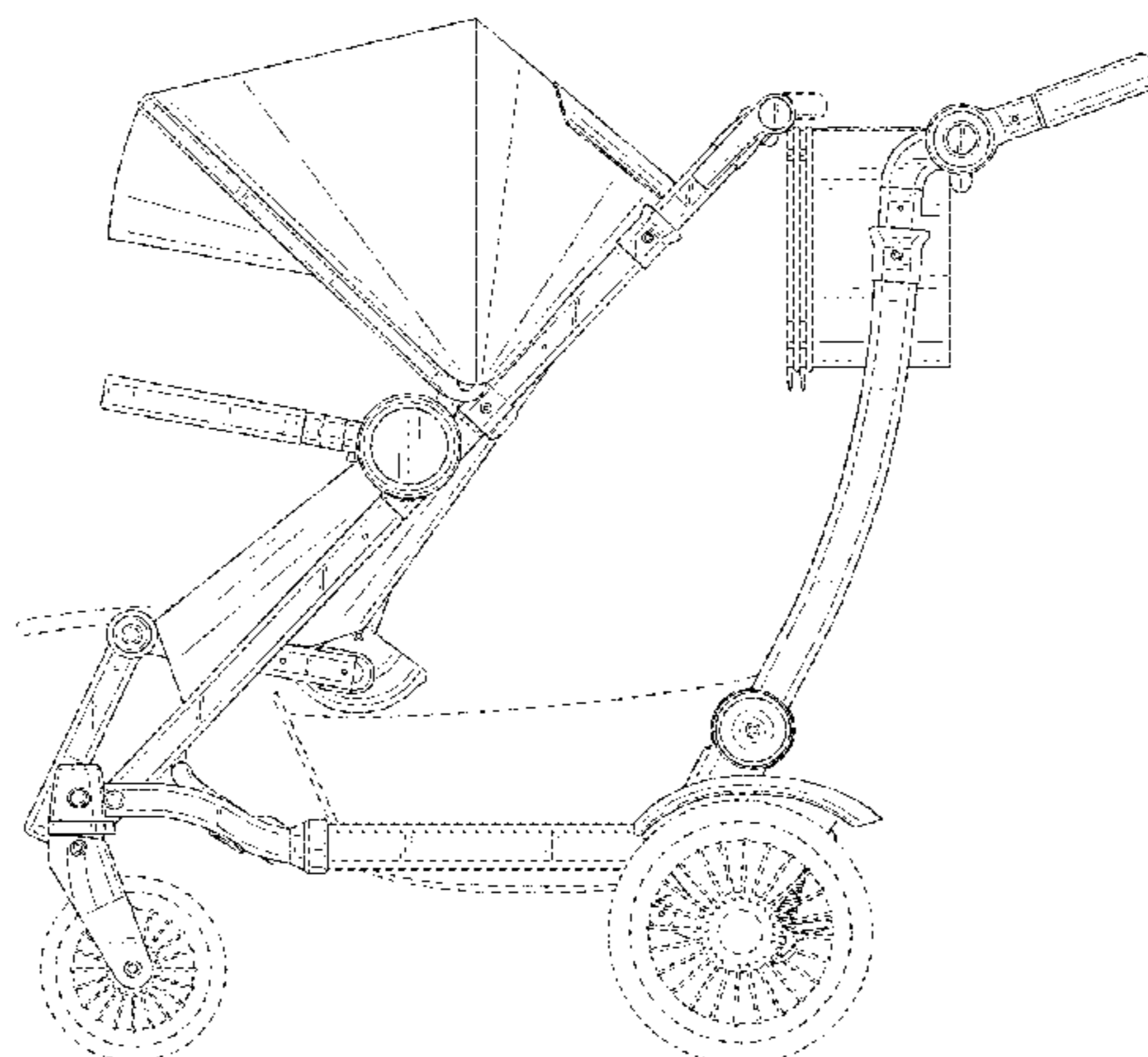


FIG. 22 is a top view thereof, in a fully expanded state.  
FIG. 23 is a front right side perspective view thereof, in a fully expanded state, wherein the basket is stowed. This view is a mirror image of the front left side perspective view; and,  
FIG. 24 is a rear right side perspective view thereof, in a fully expanded state, wherein the basket is stowed. This view is a mirror image of the rear left side perspective view. The broken lines are included for the purpose of illustrating unclaimed subject matter and forms no part of the claimed design.

**1 Claim, 24 Drawing Sheets**

(58) **Field of Classification Search**

CPC ..... B62B 7/00–7/04; B62B 9/00–9/28  
See application file for complete search history.

(56) **References Cited**

U.S. PATENT DOCUMENTS

|              |      |         |              |       |                         |
|--------------|------|---------|--------------|-------|-------------------------|
| 8,857,830    | B2 * | 10/2014 | Chen         | ..... | B62B 7/008<br>280/47.35 |
| 8,899,615    | B2 * | 12/2014 | Dijkstra     | ..... | B62B 7/14<br>280/42     |
| 9,227,650    | B2 * | 1/2016  | Gillett      | ..... | B62B 7/12               |
| D802,489     | S *  | 11/2017 | Siba         | ..... | D12/129                 |
| D811,949     | S *  | 3/2018  | Siba         | ..... | D12/129                 |
| 2012/0098237 | A1 * | 4/2012  | Winterhalter | ..... | B62B 7/008<br>280/647   |

\* cited by examiner

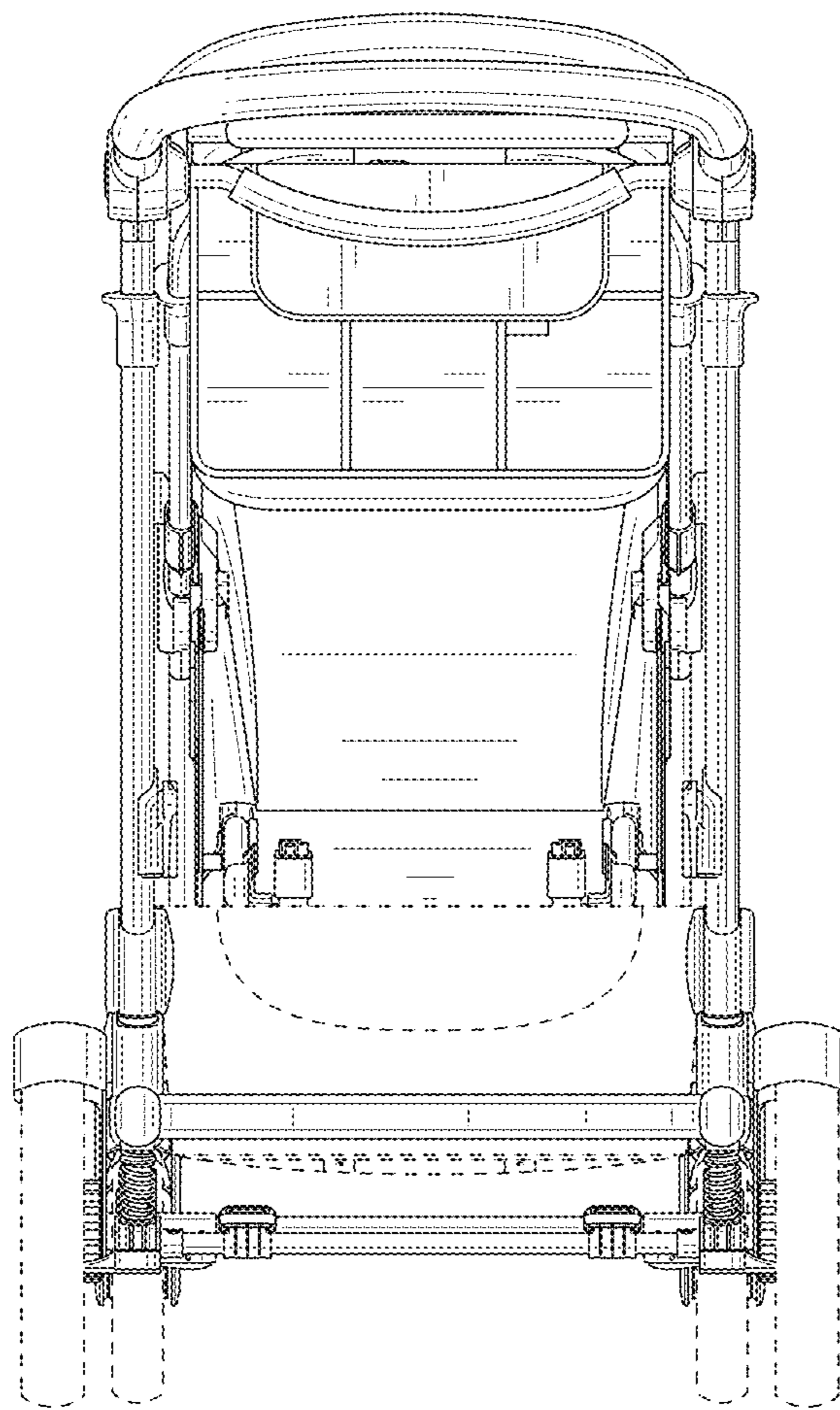


FIG. 1

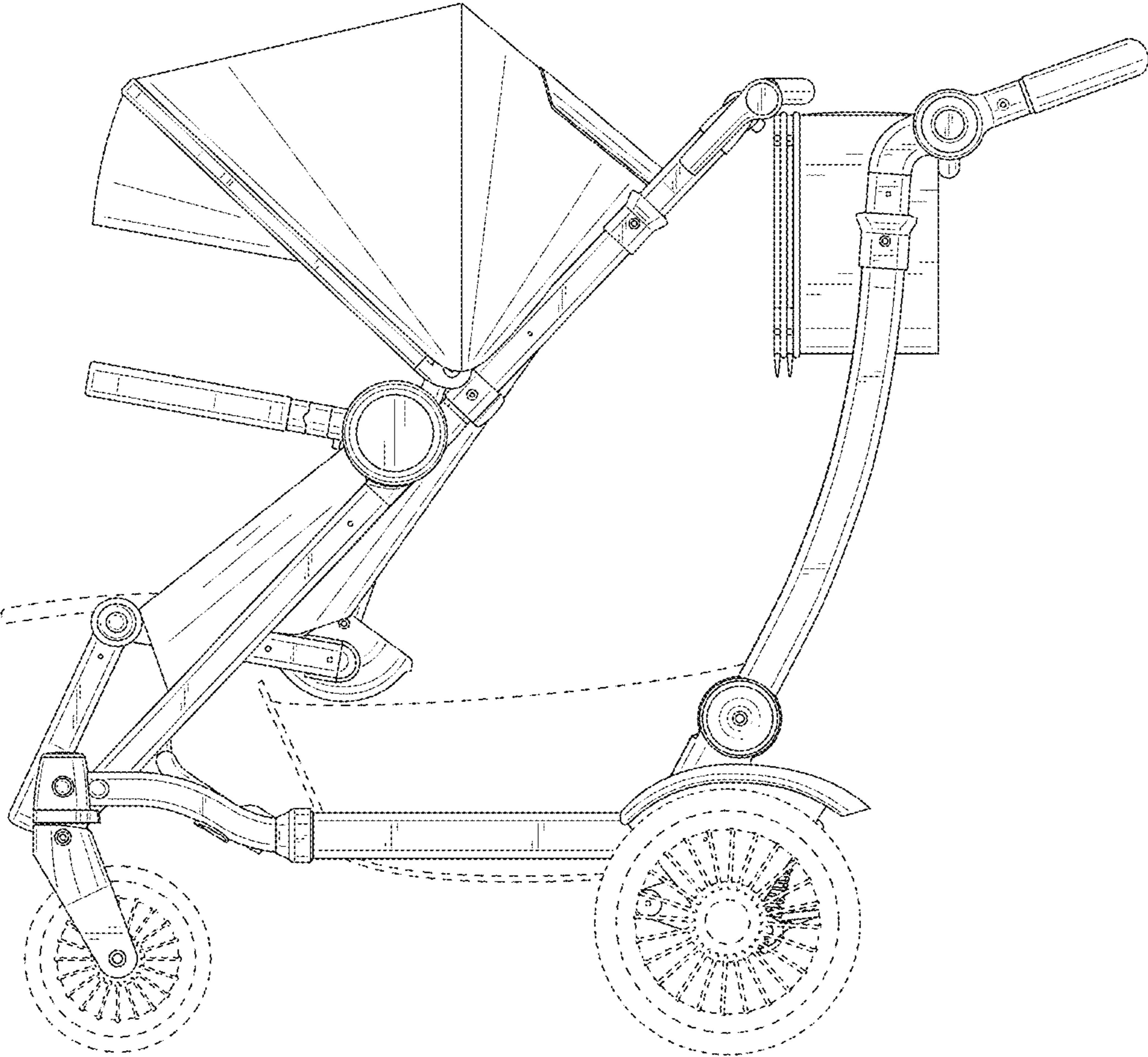


FIG. 2

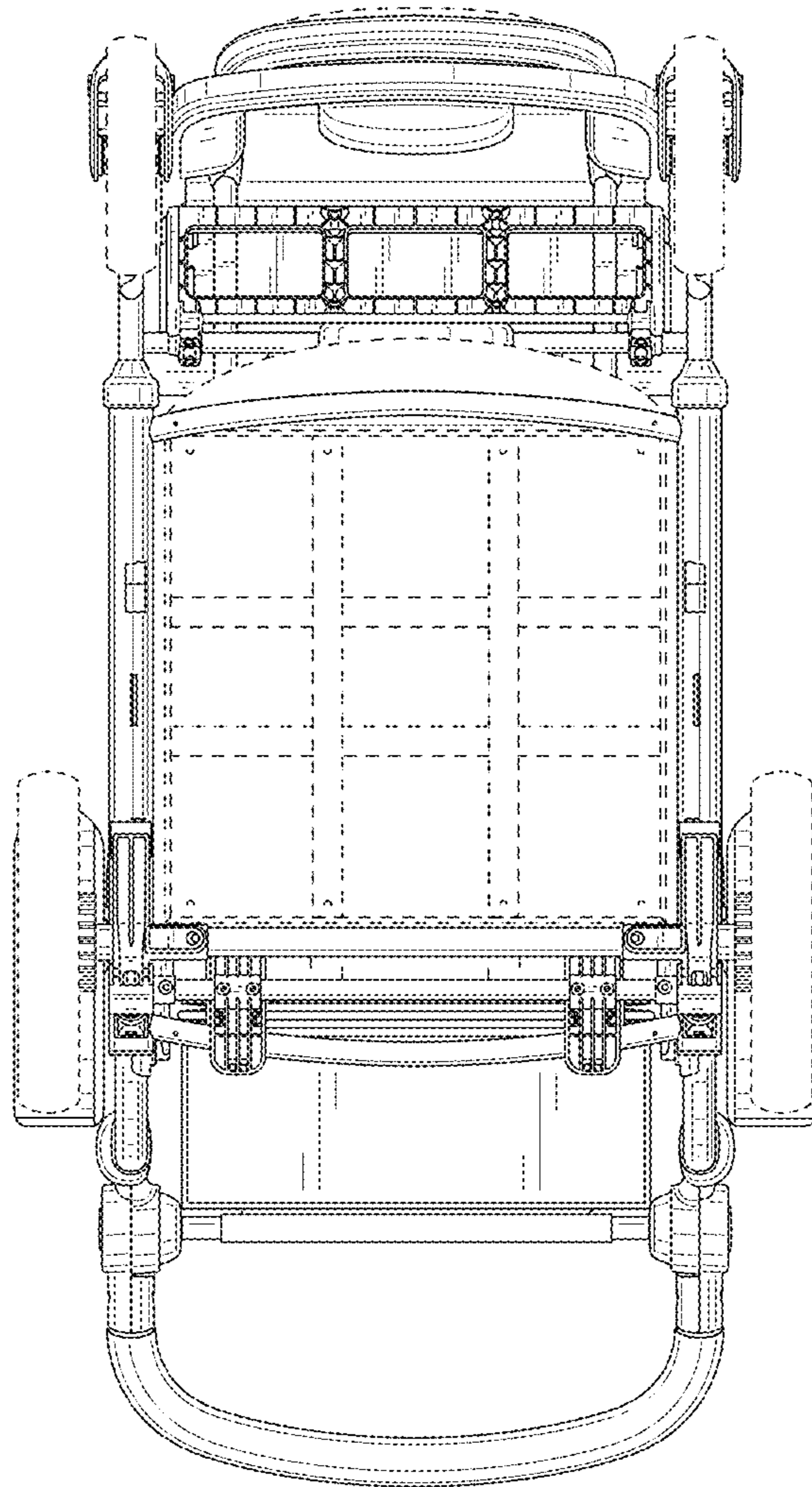


FIG. 3

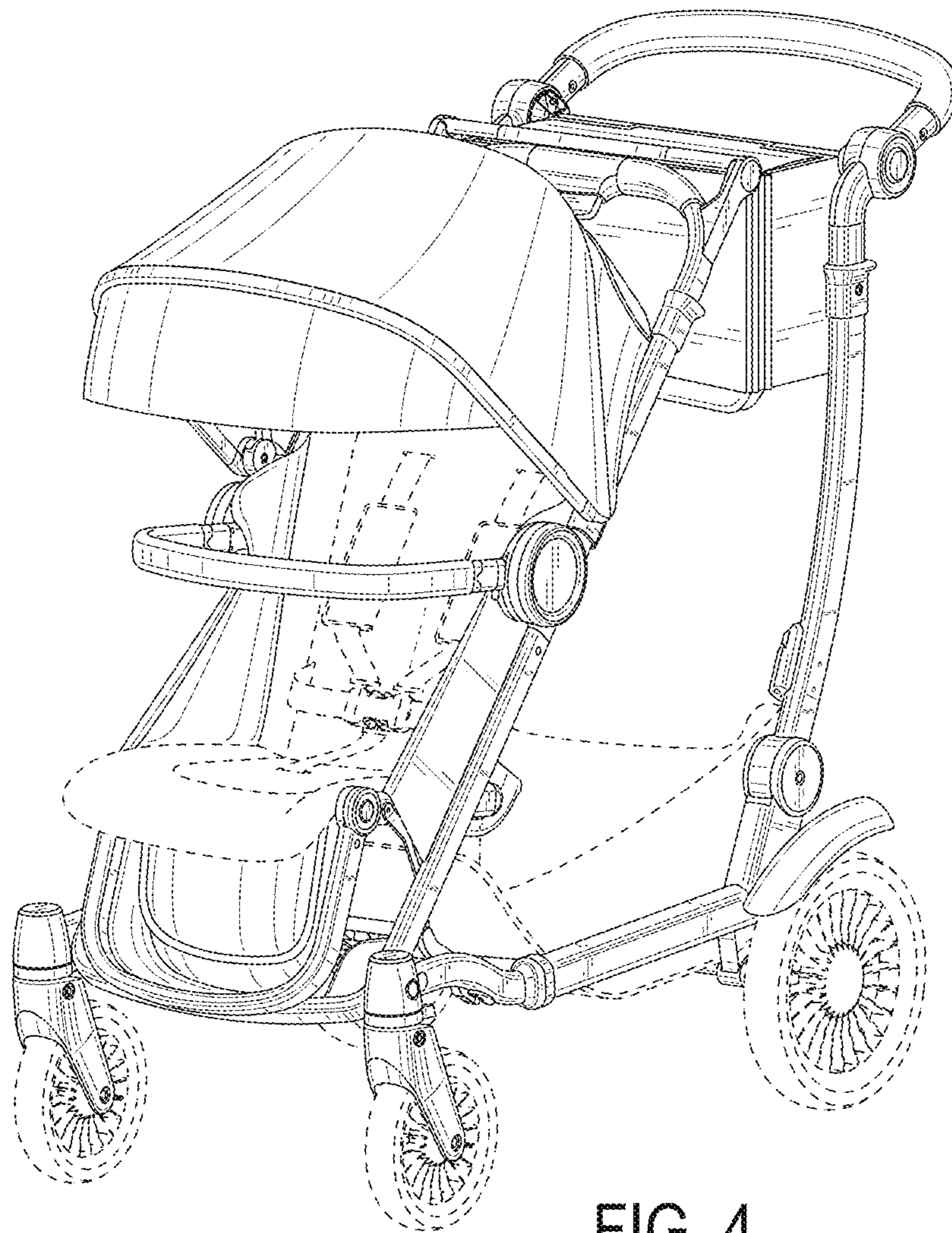


FIG. 4

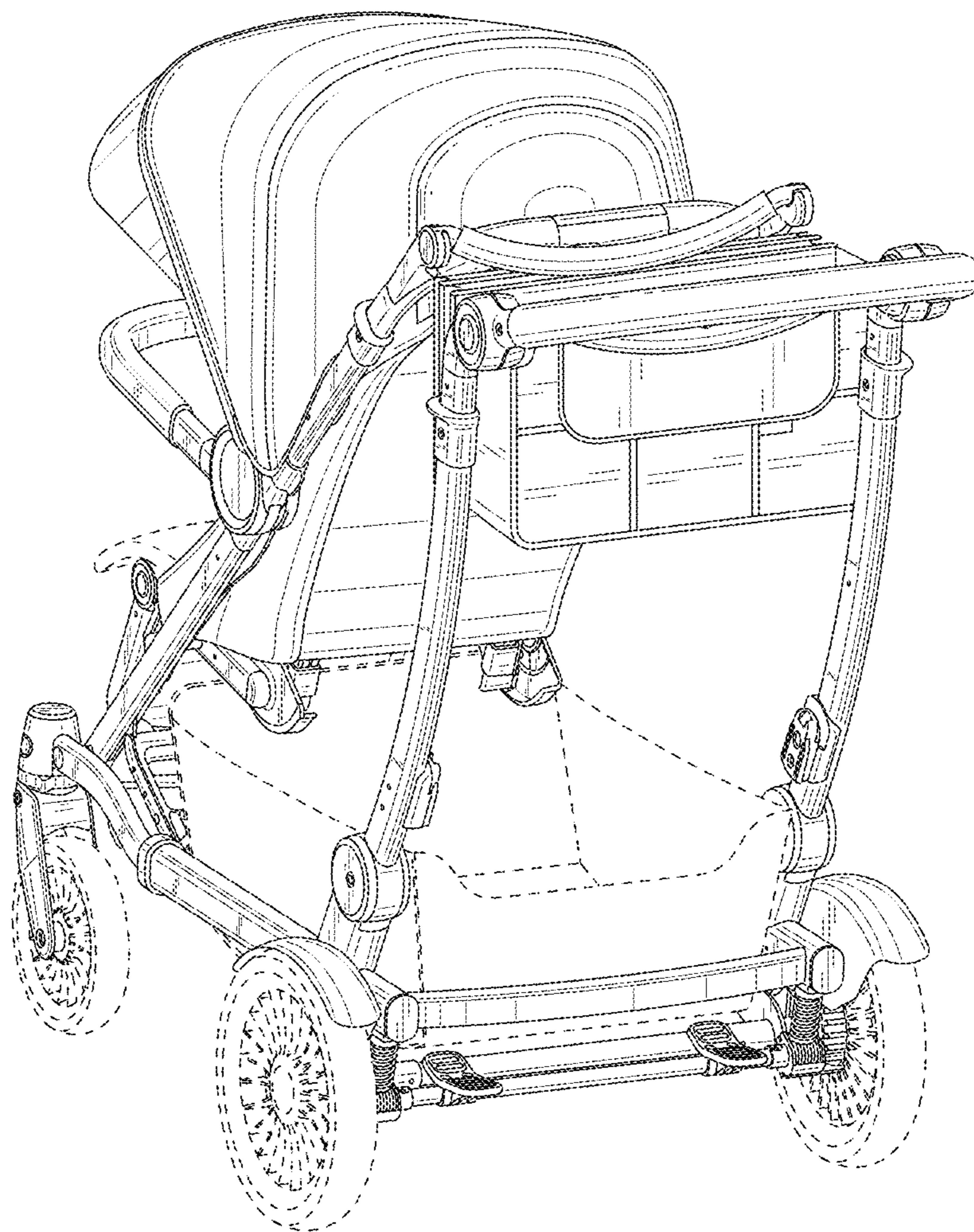


FIG. 5

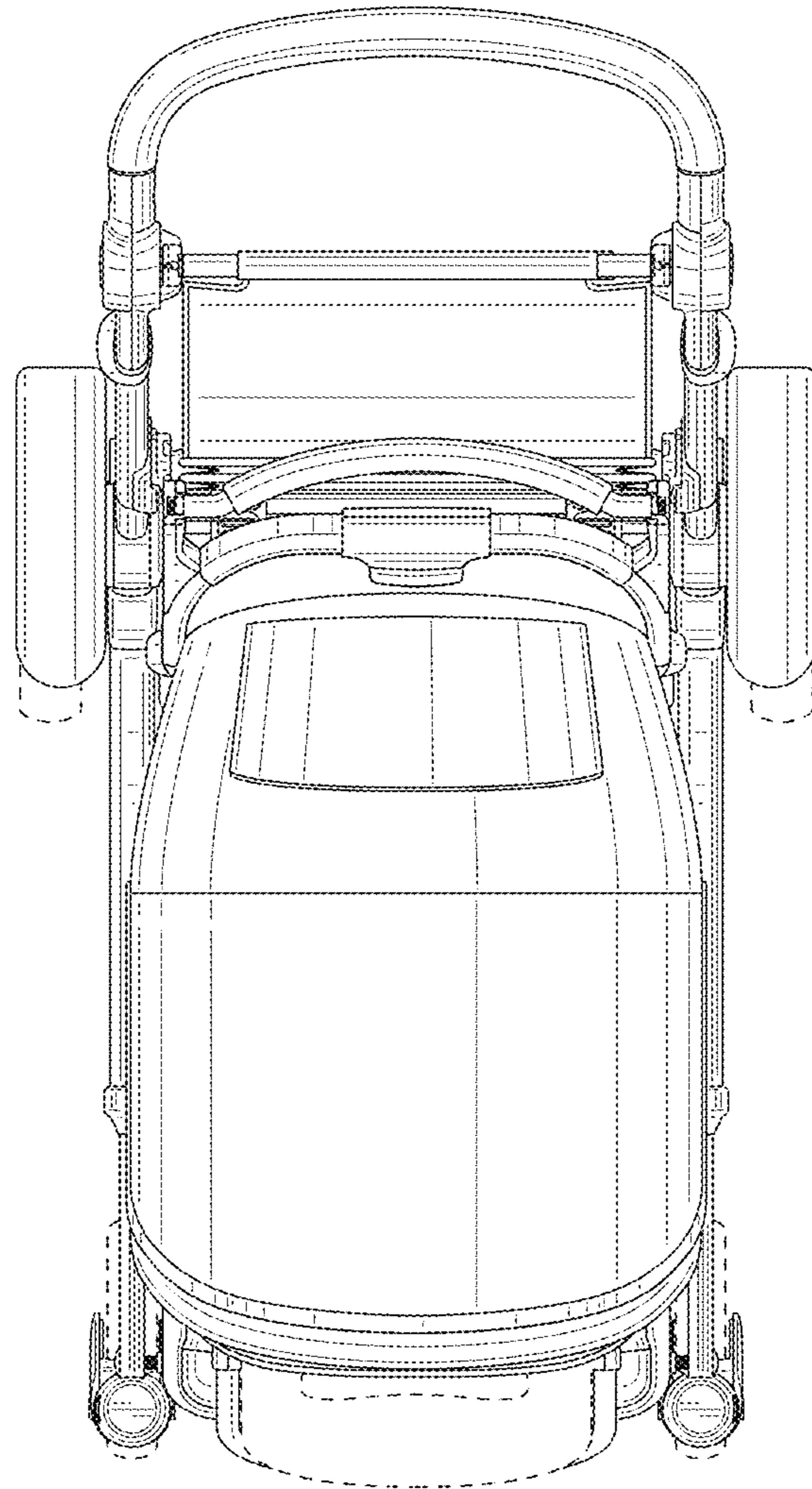


FIG. 6



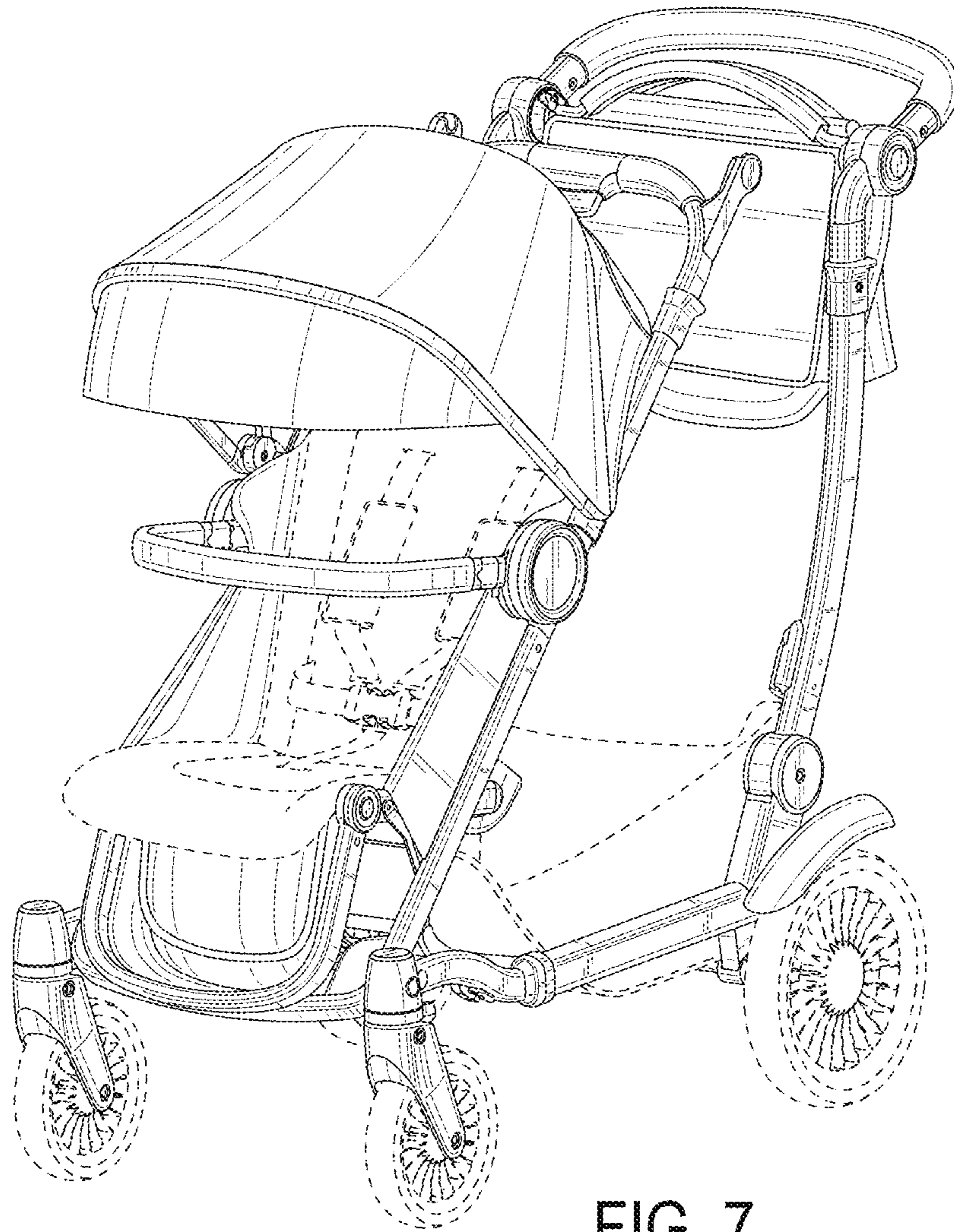


FIG. 7

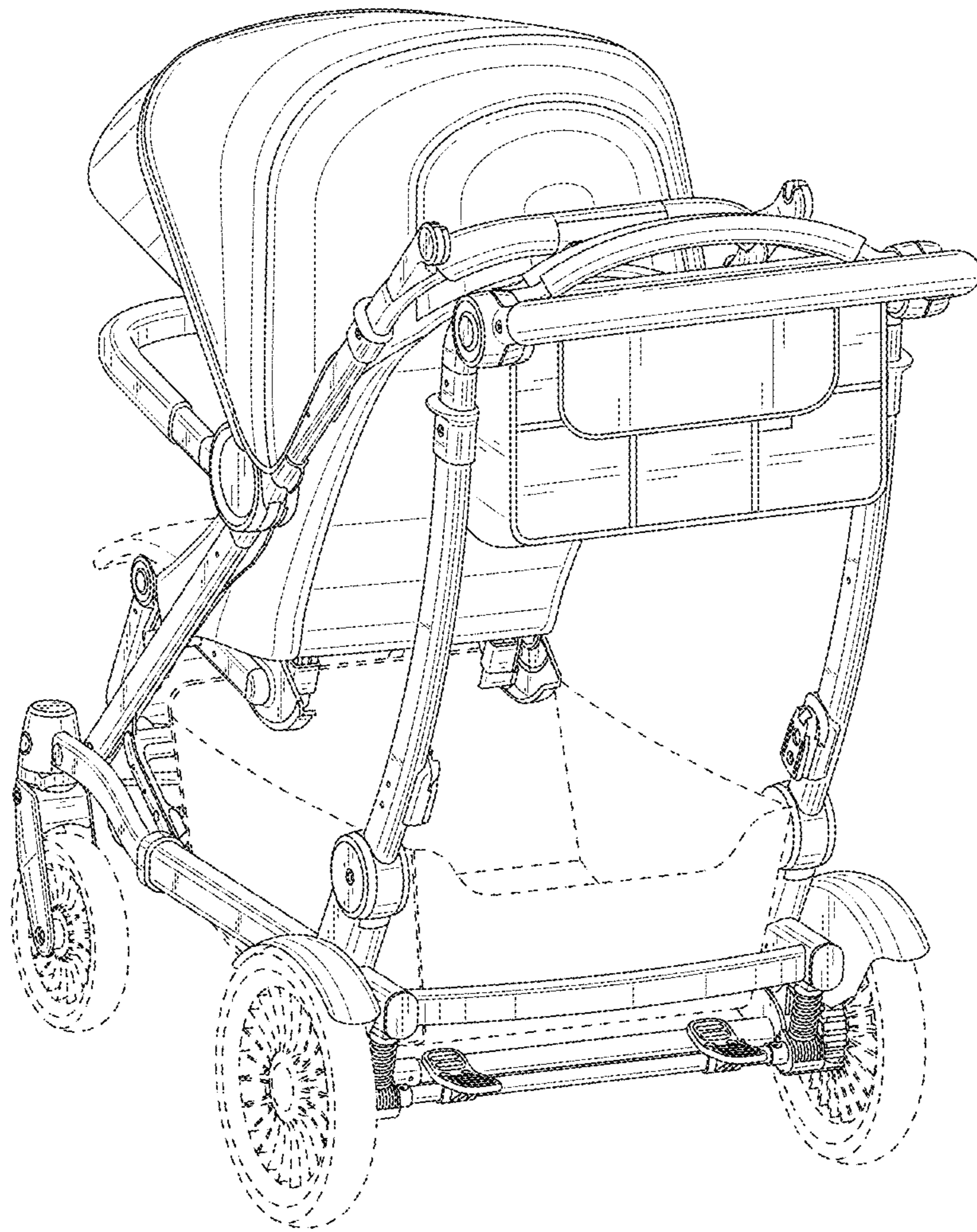


FIG. 8

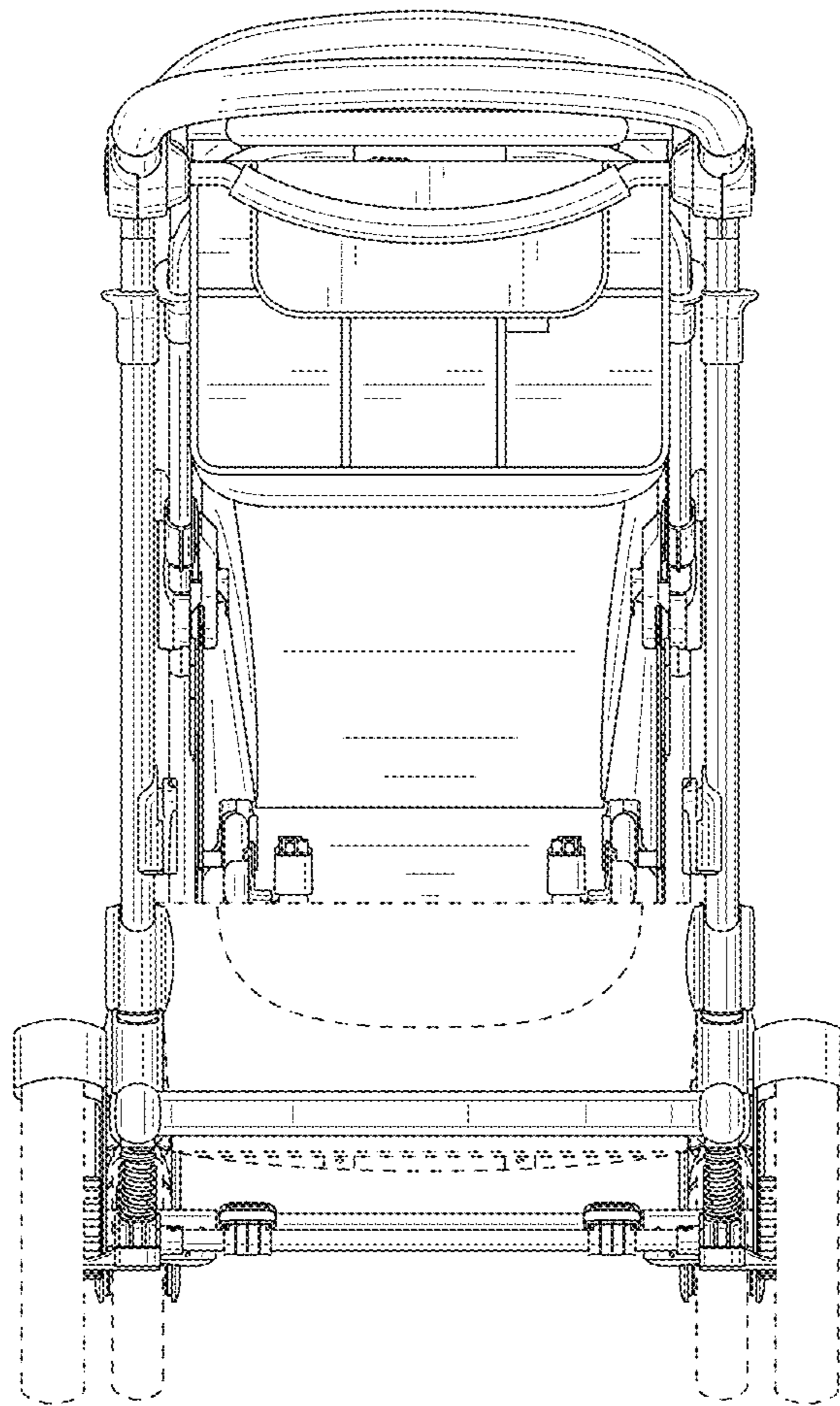


FIG. 9

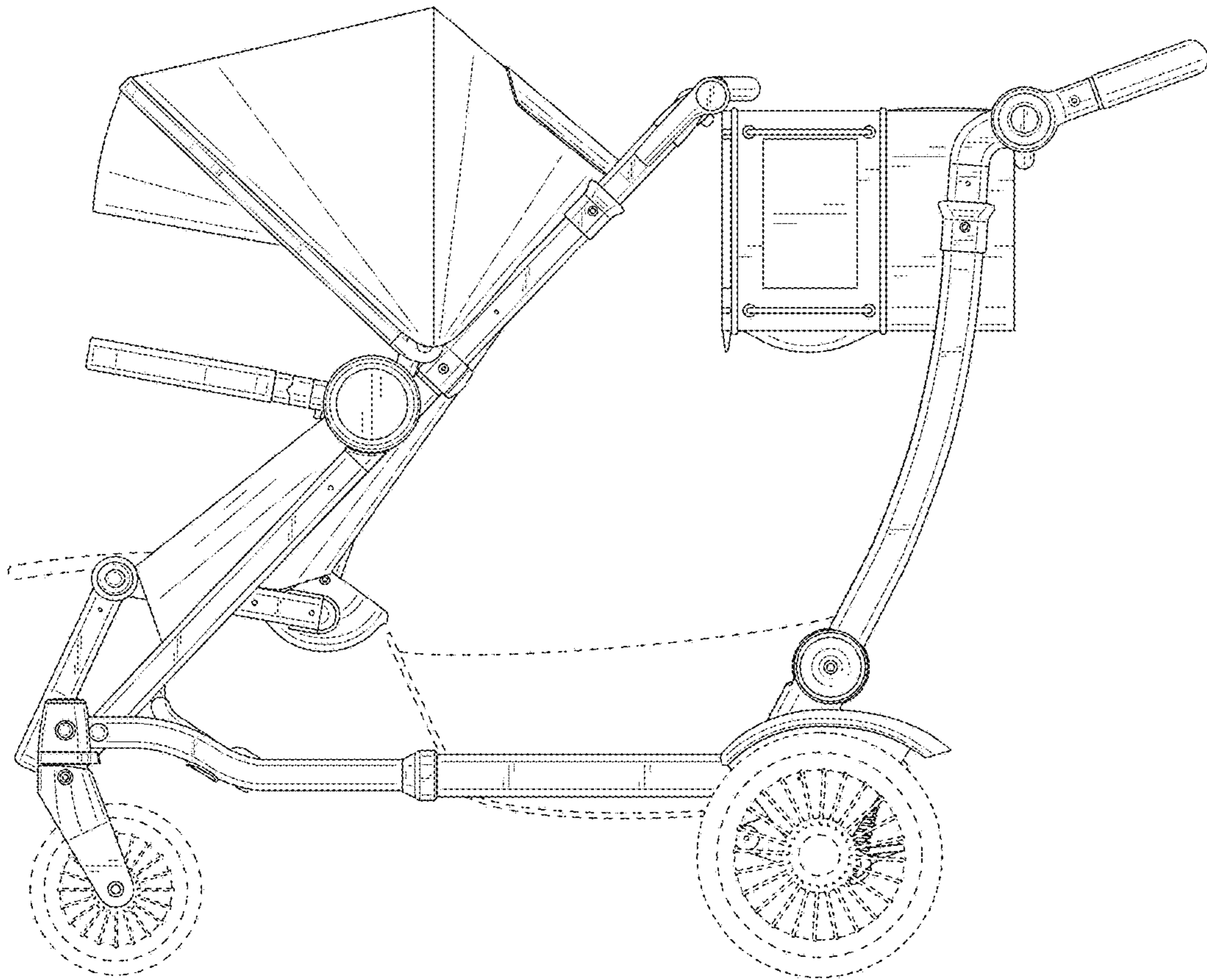


FIG. 10

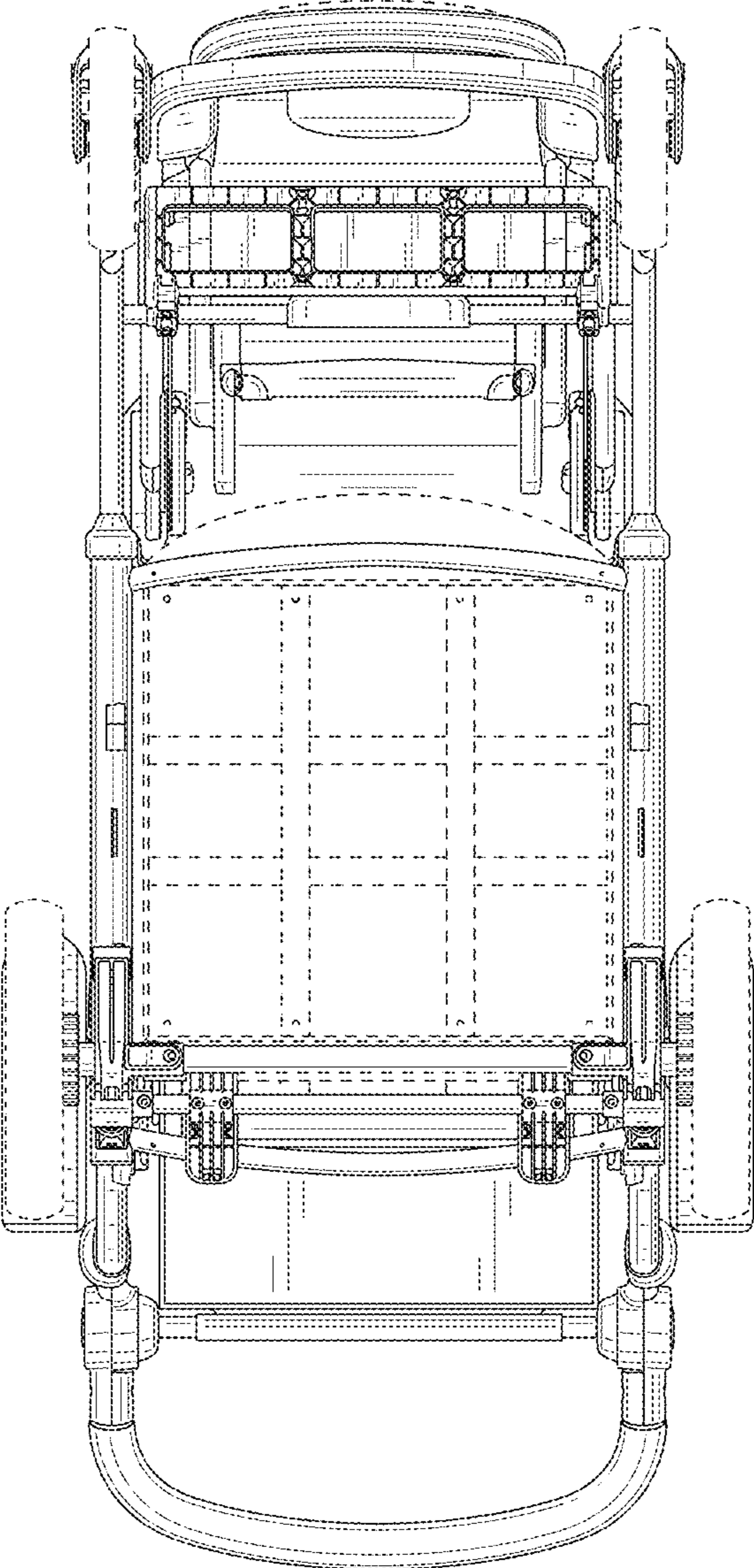


FIG. 11

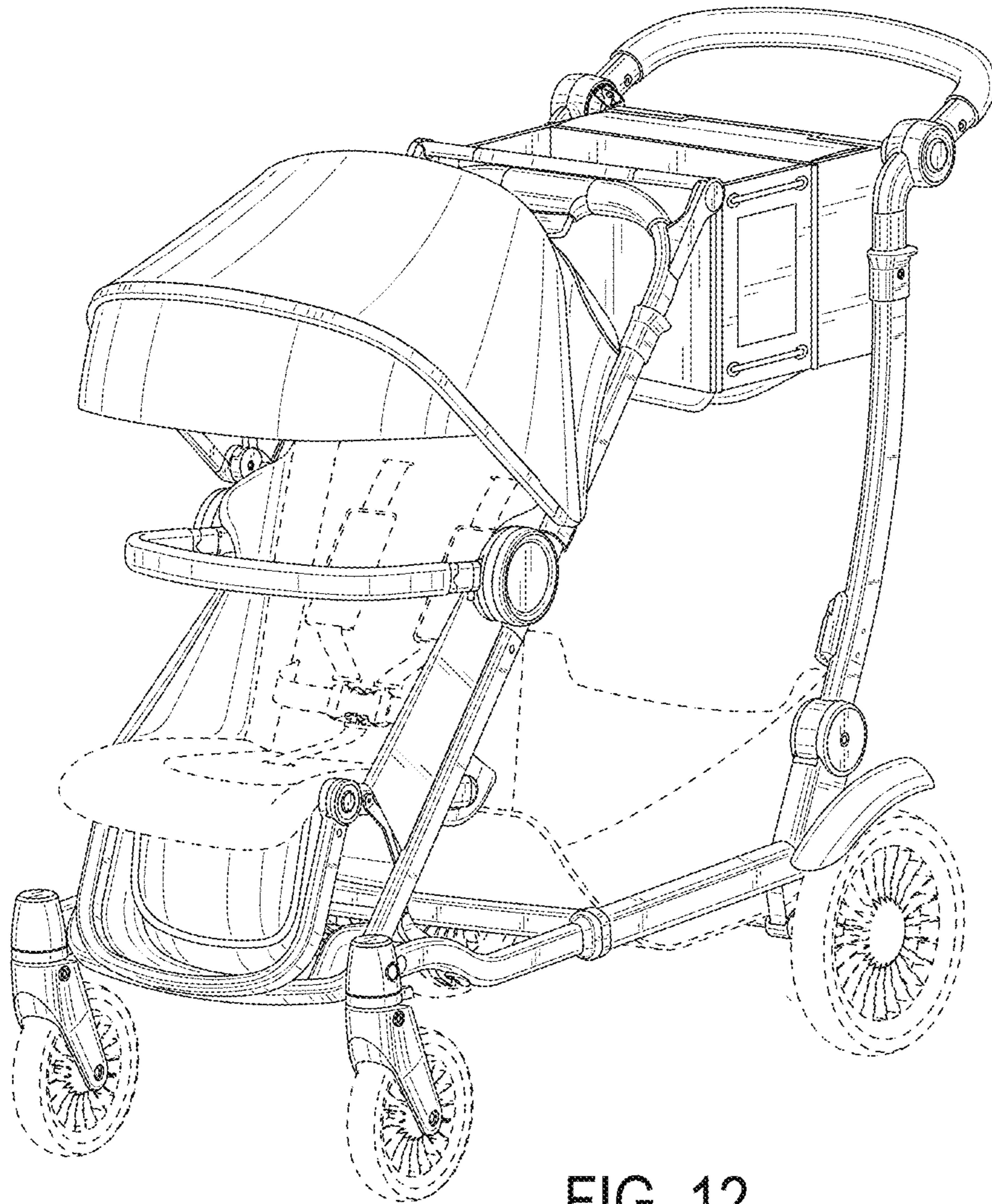


FIG. 12

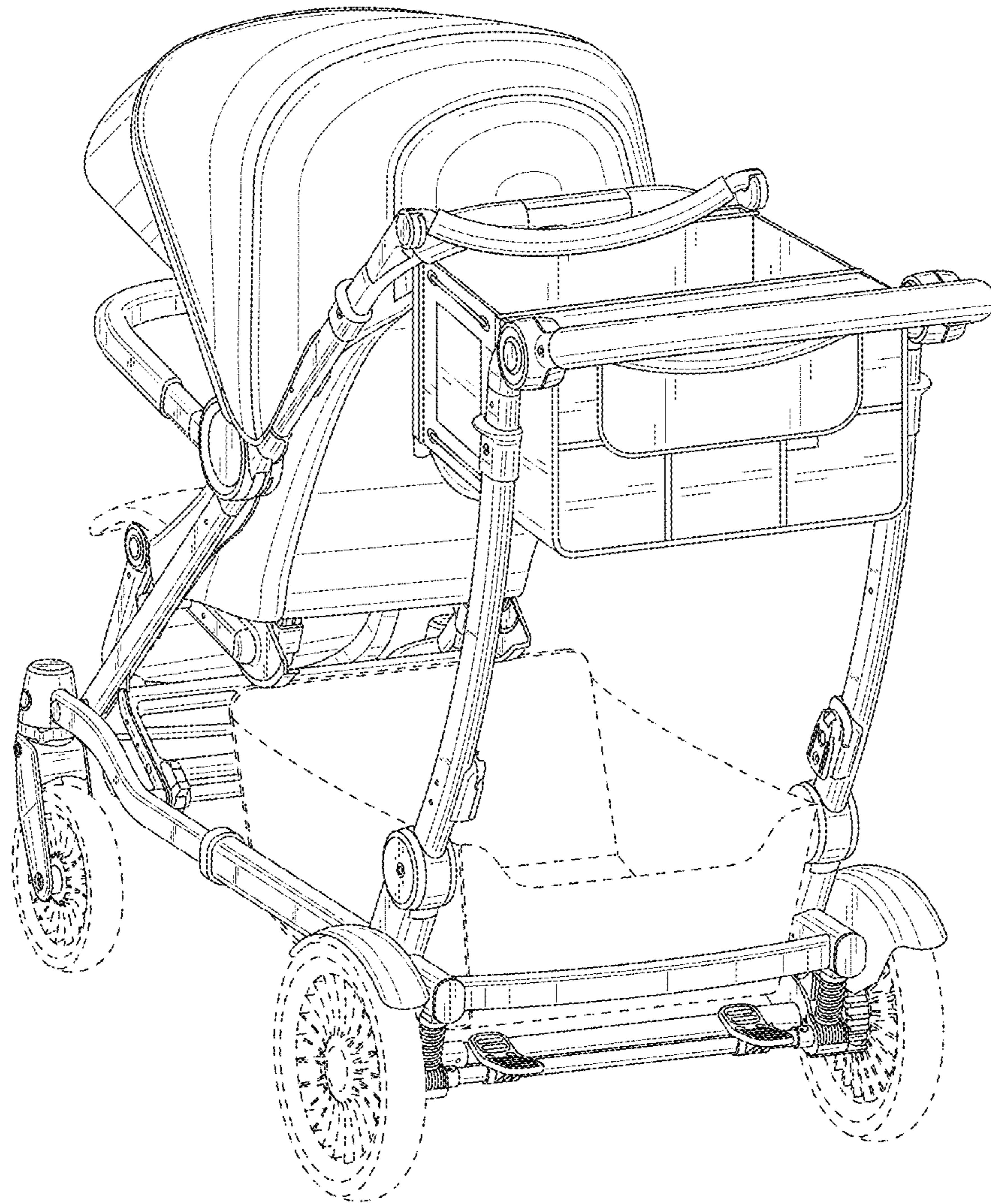


FIG. 13

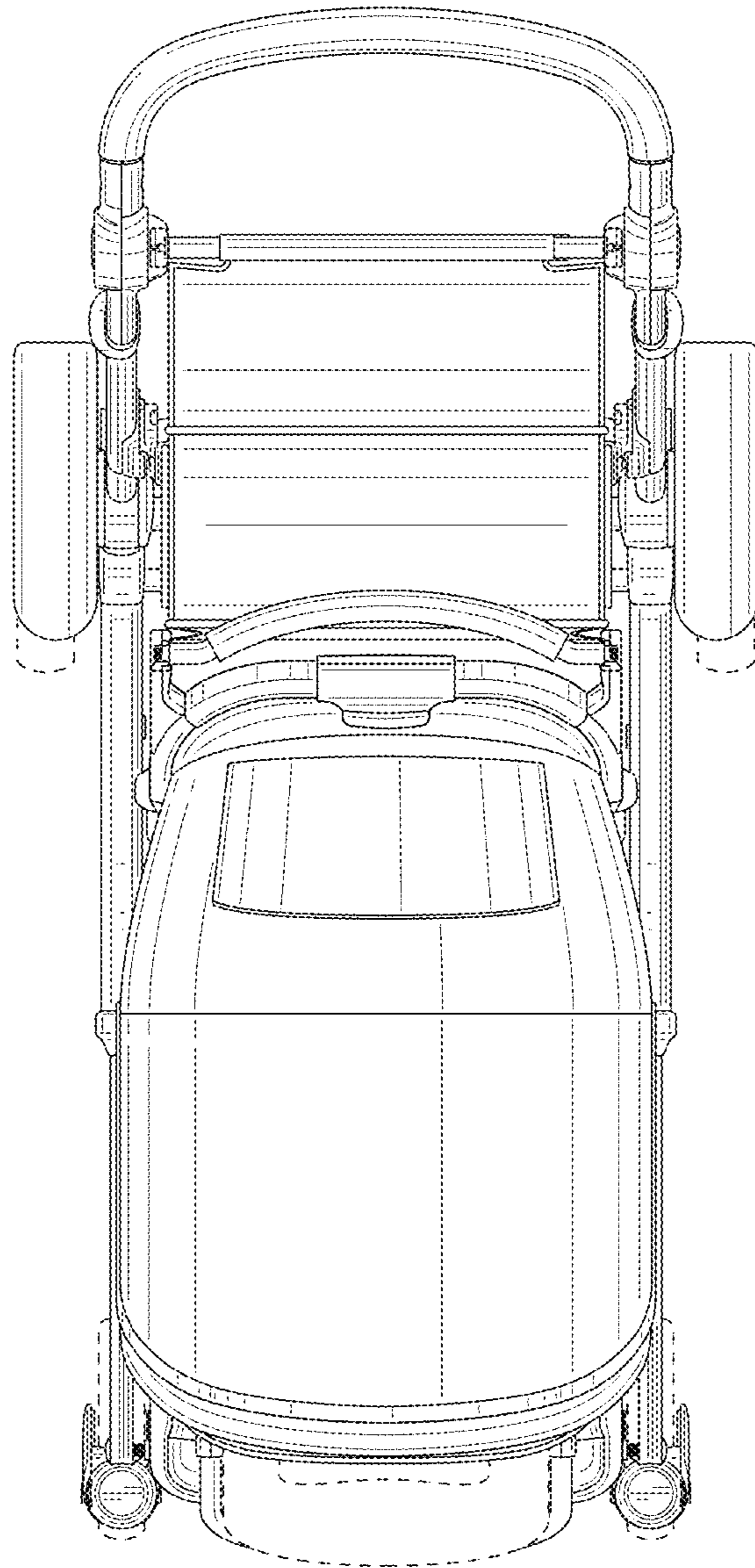


FIG. 14



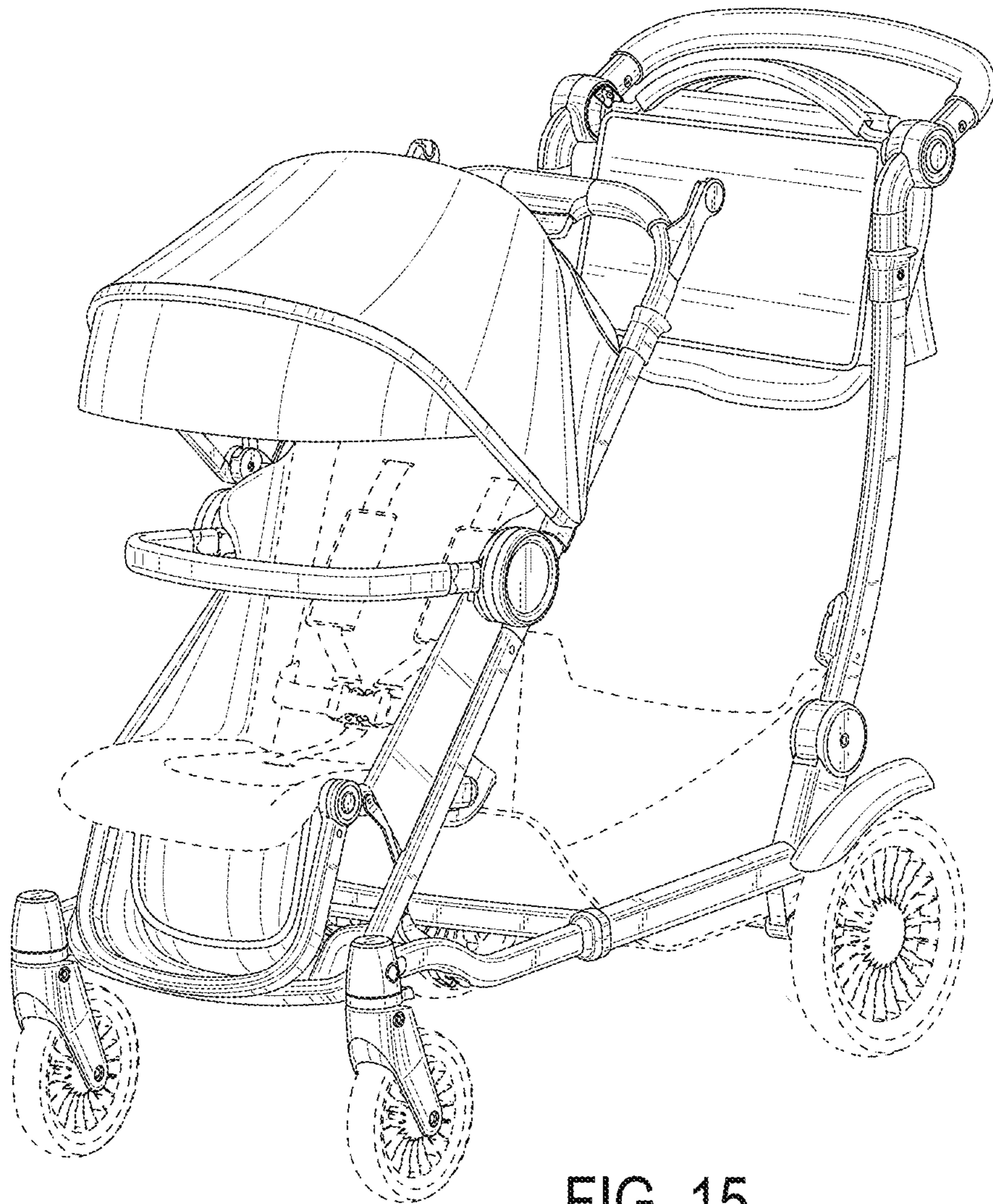


FIG. 15

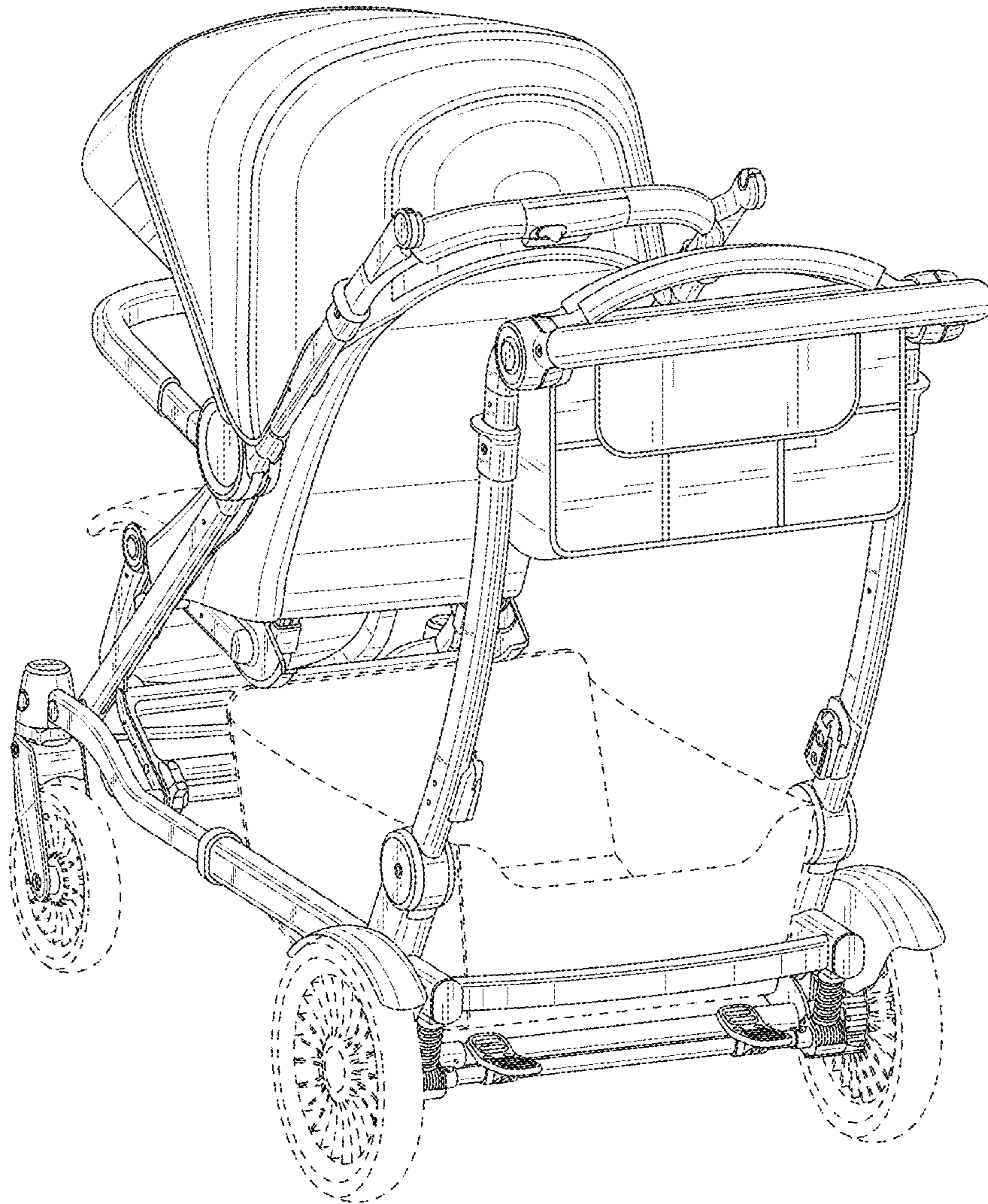


FIG. 16

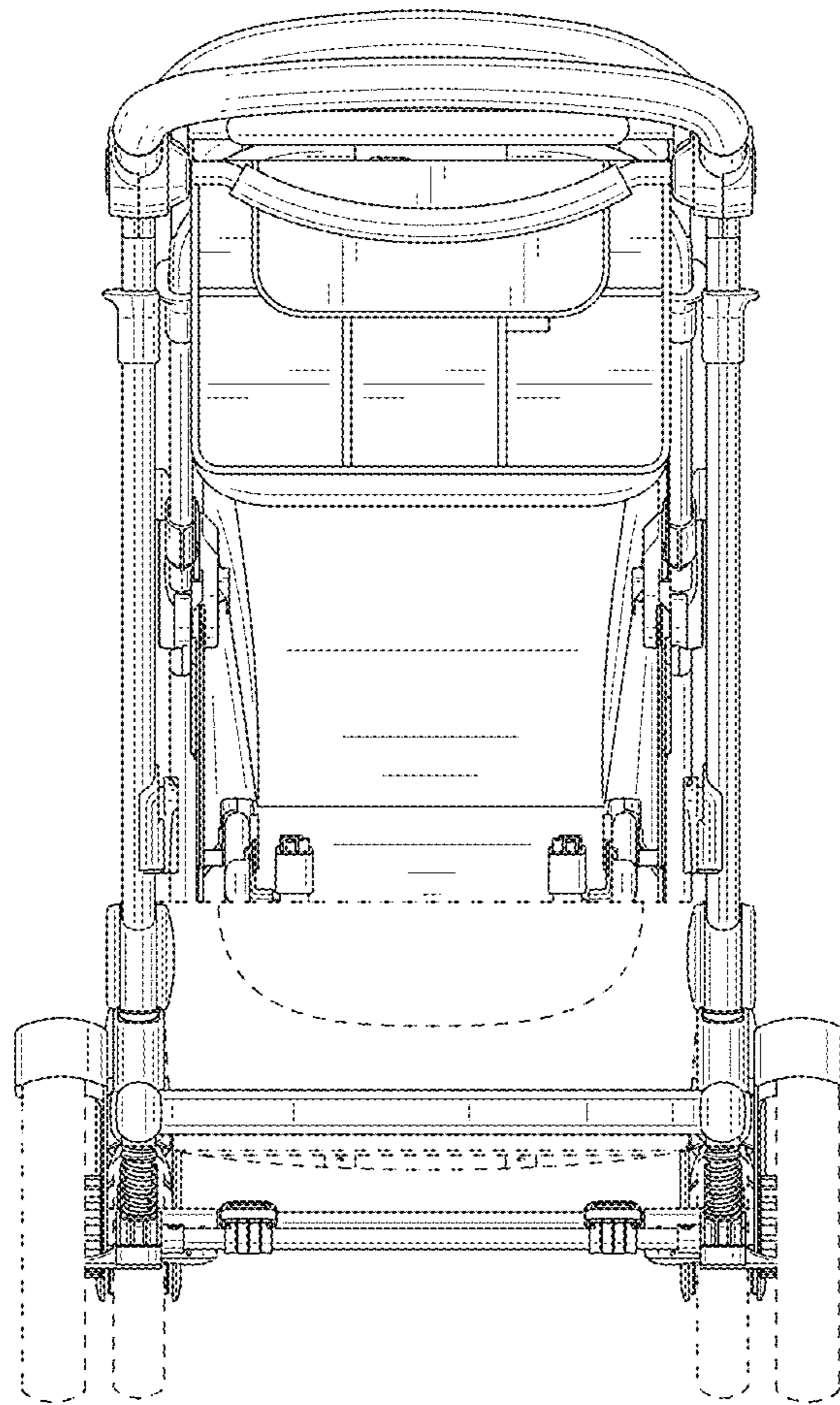


FIG. 17

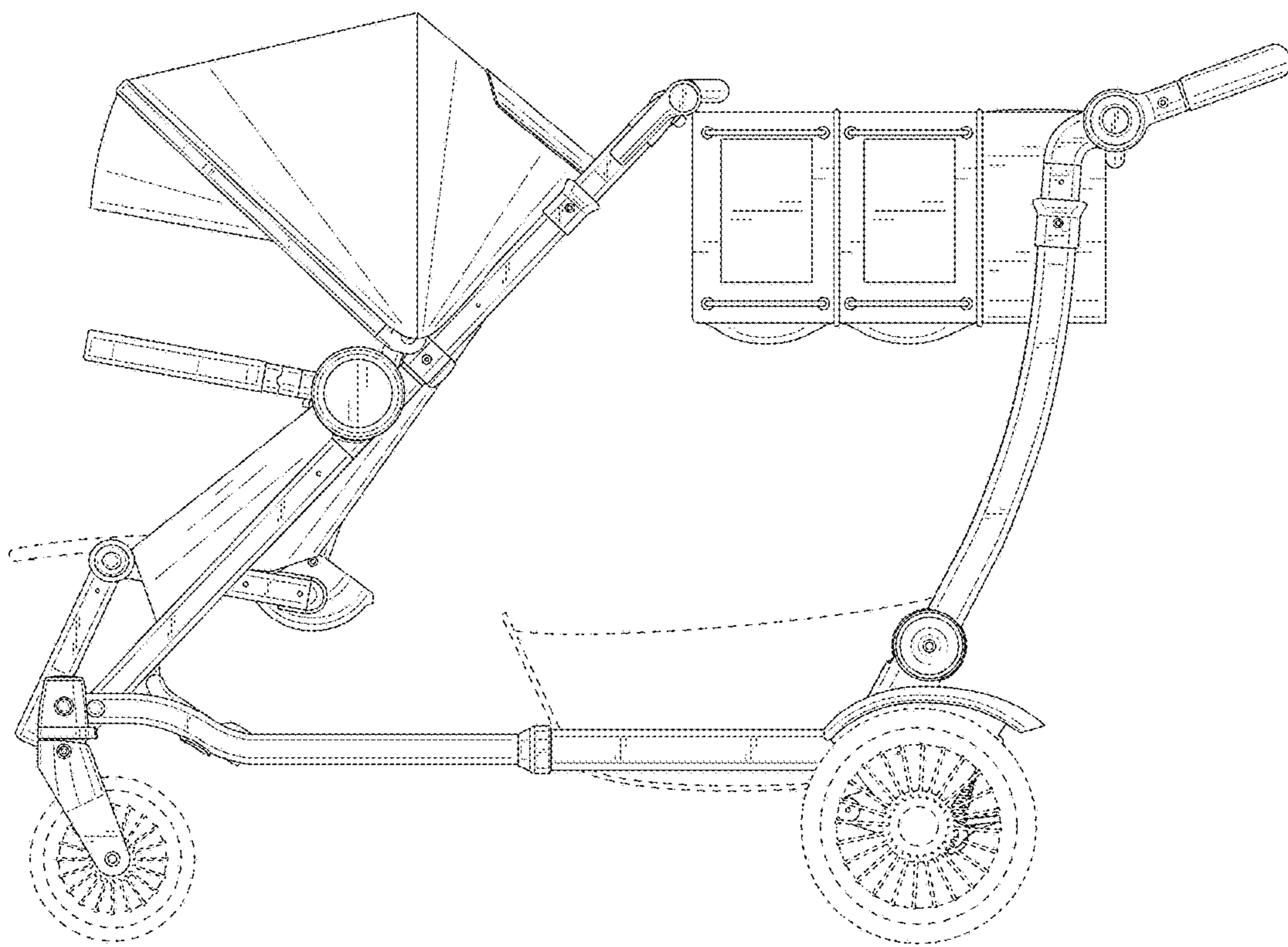


FIG. 18

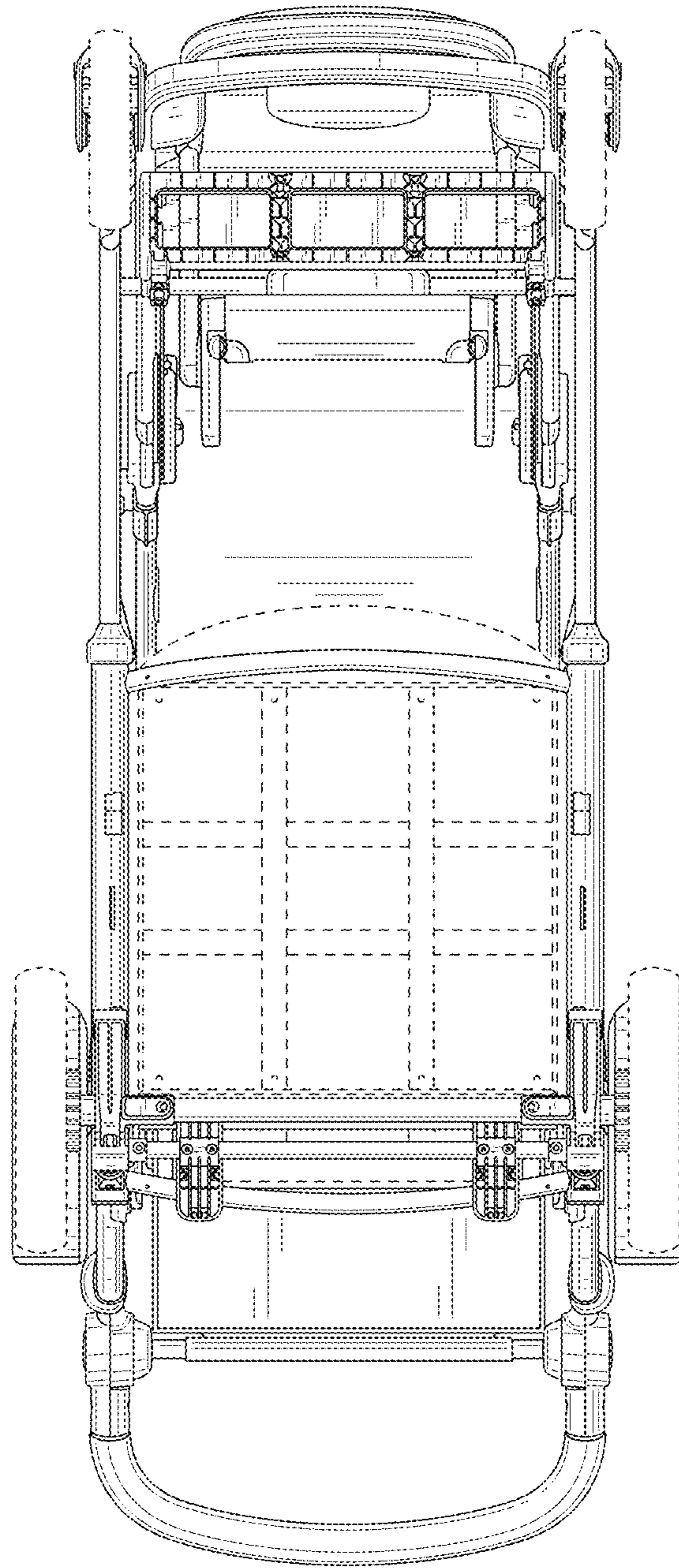


FIG. 19

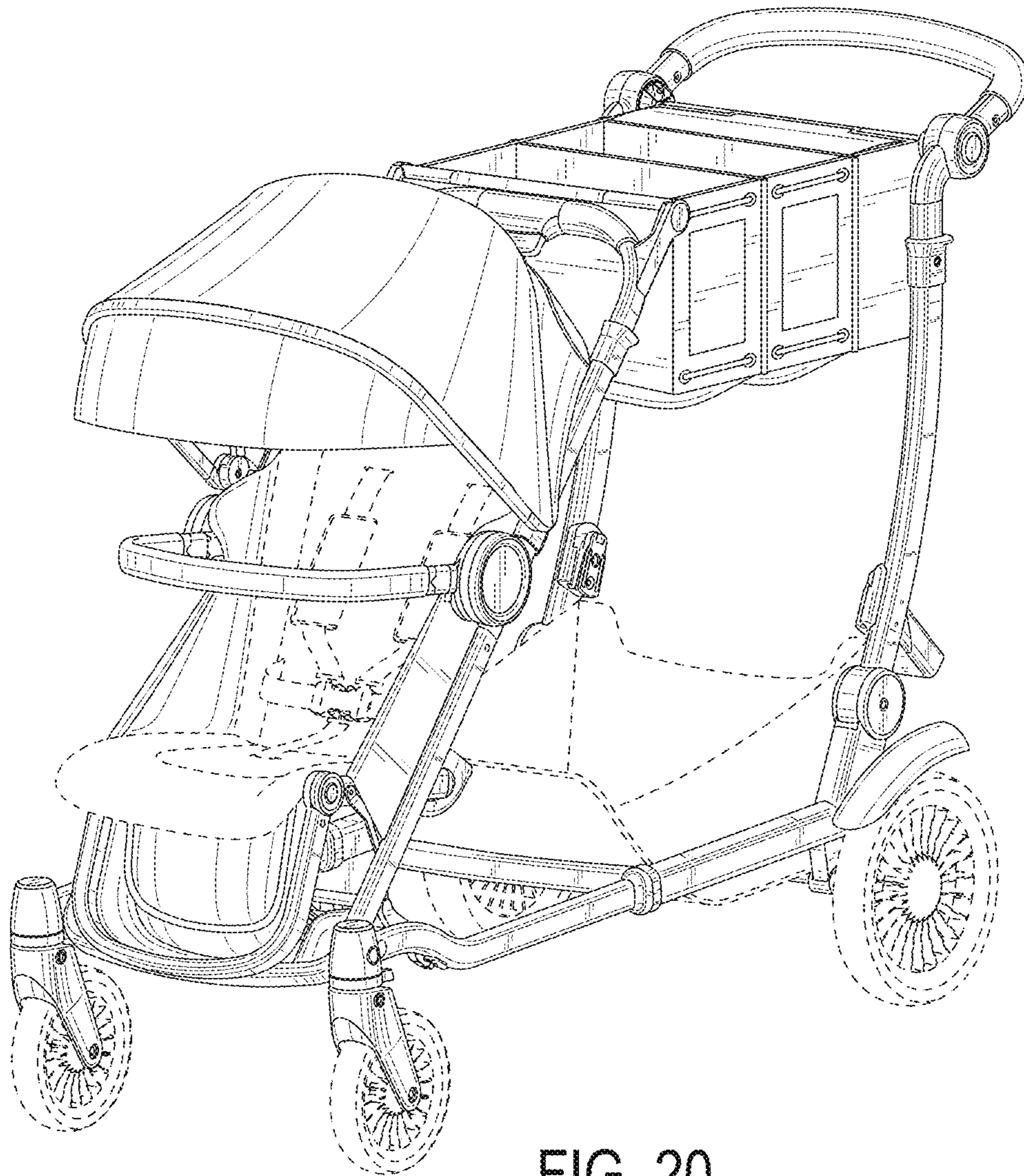


FIG. 20

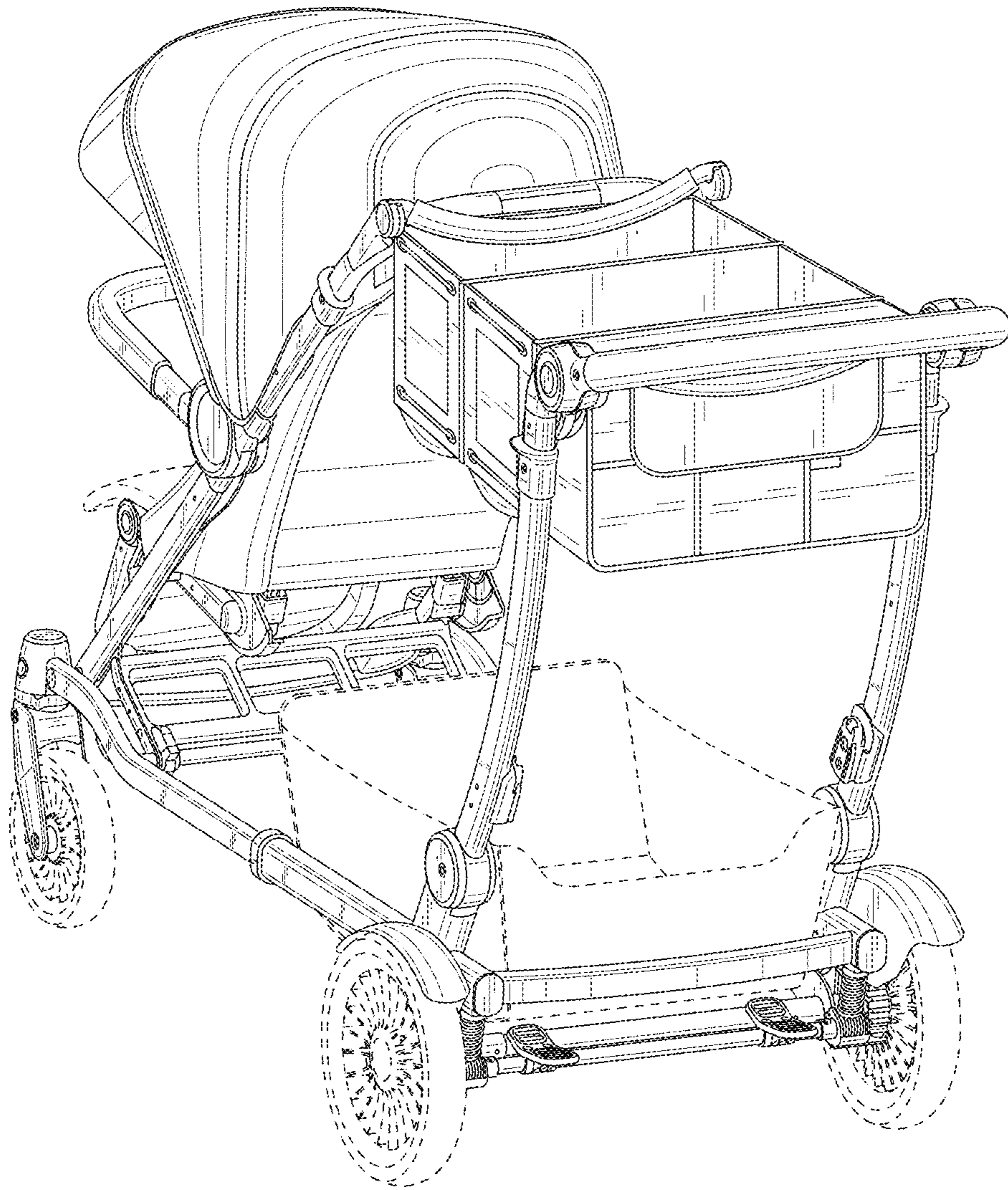


FIG. 21

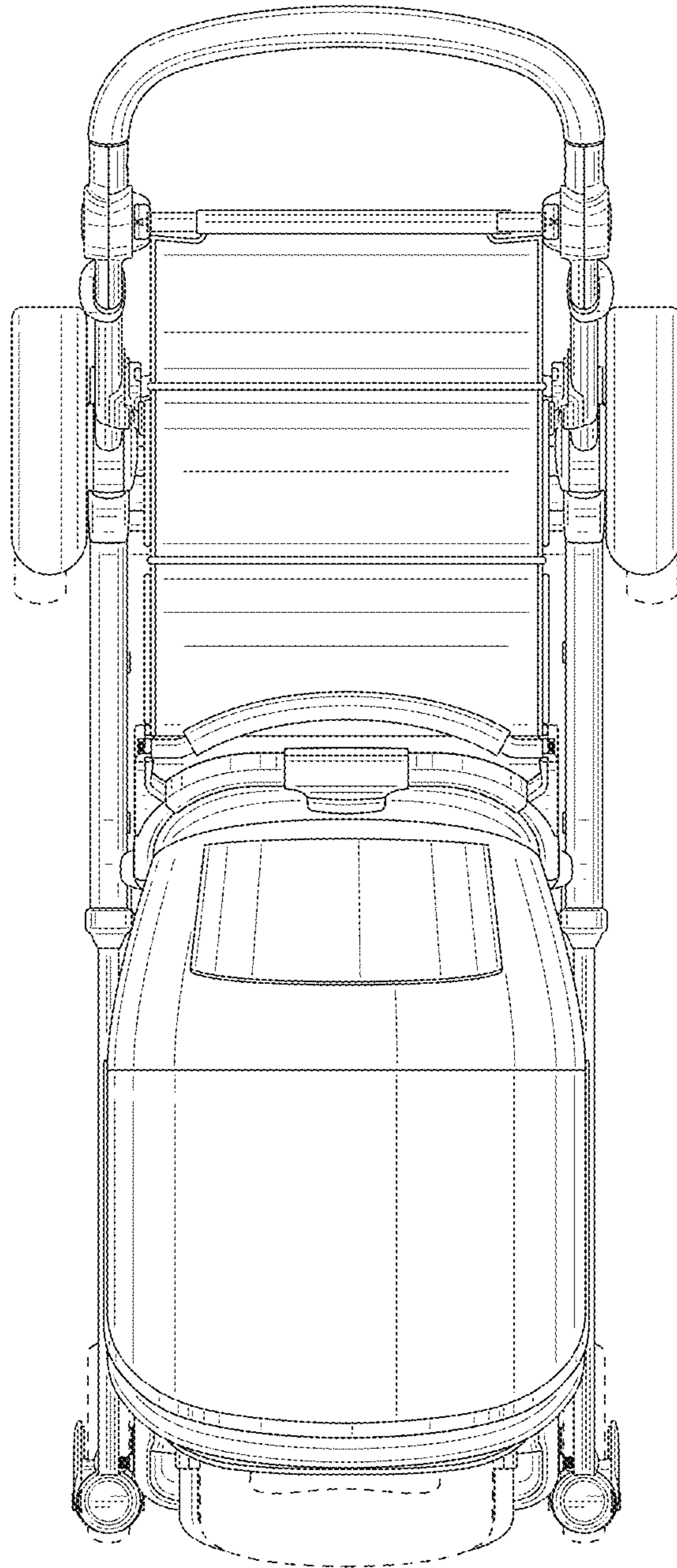


FIG. 22



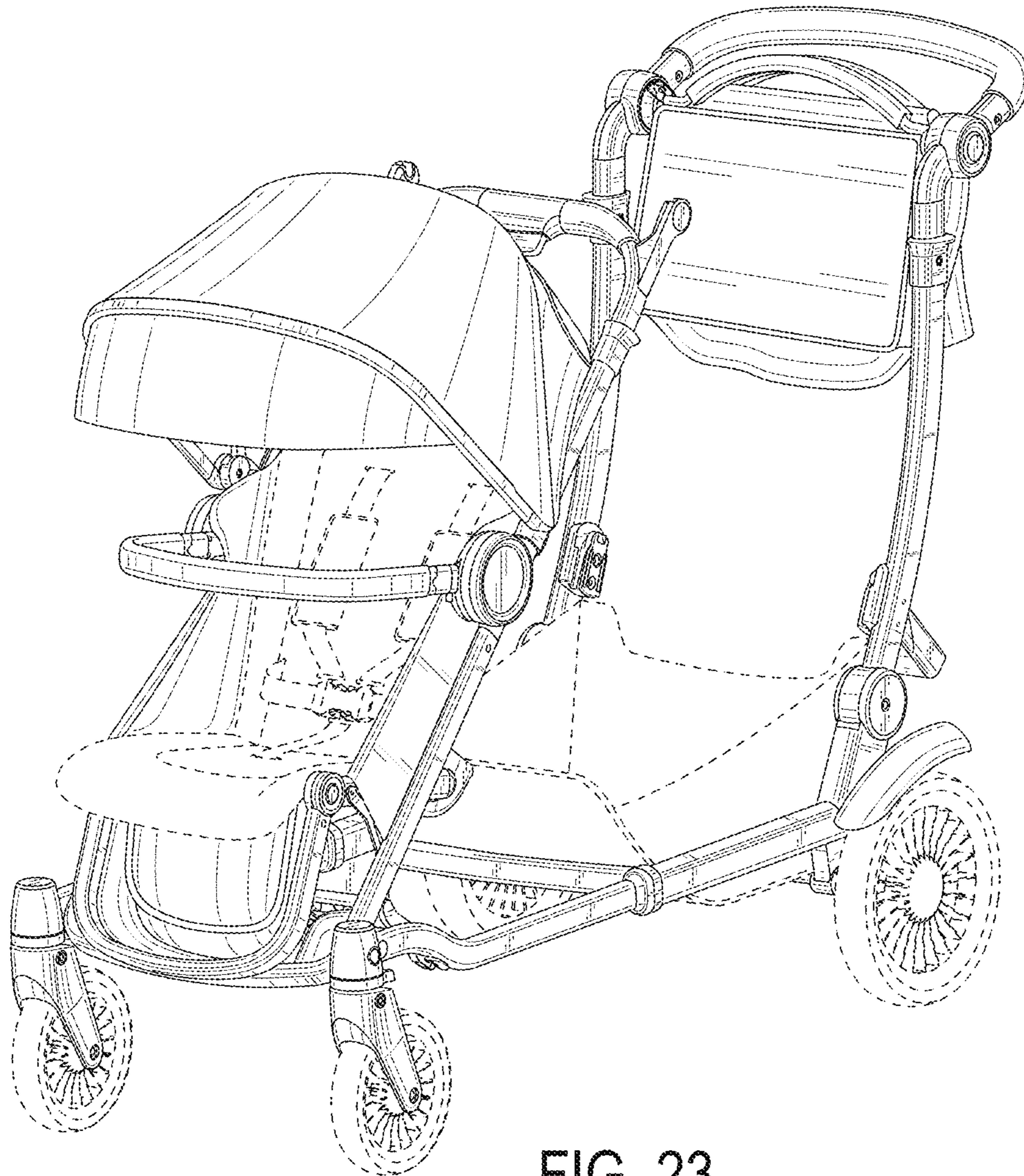


FIG. 23

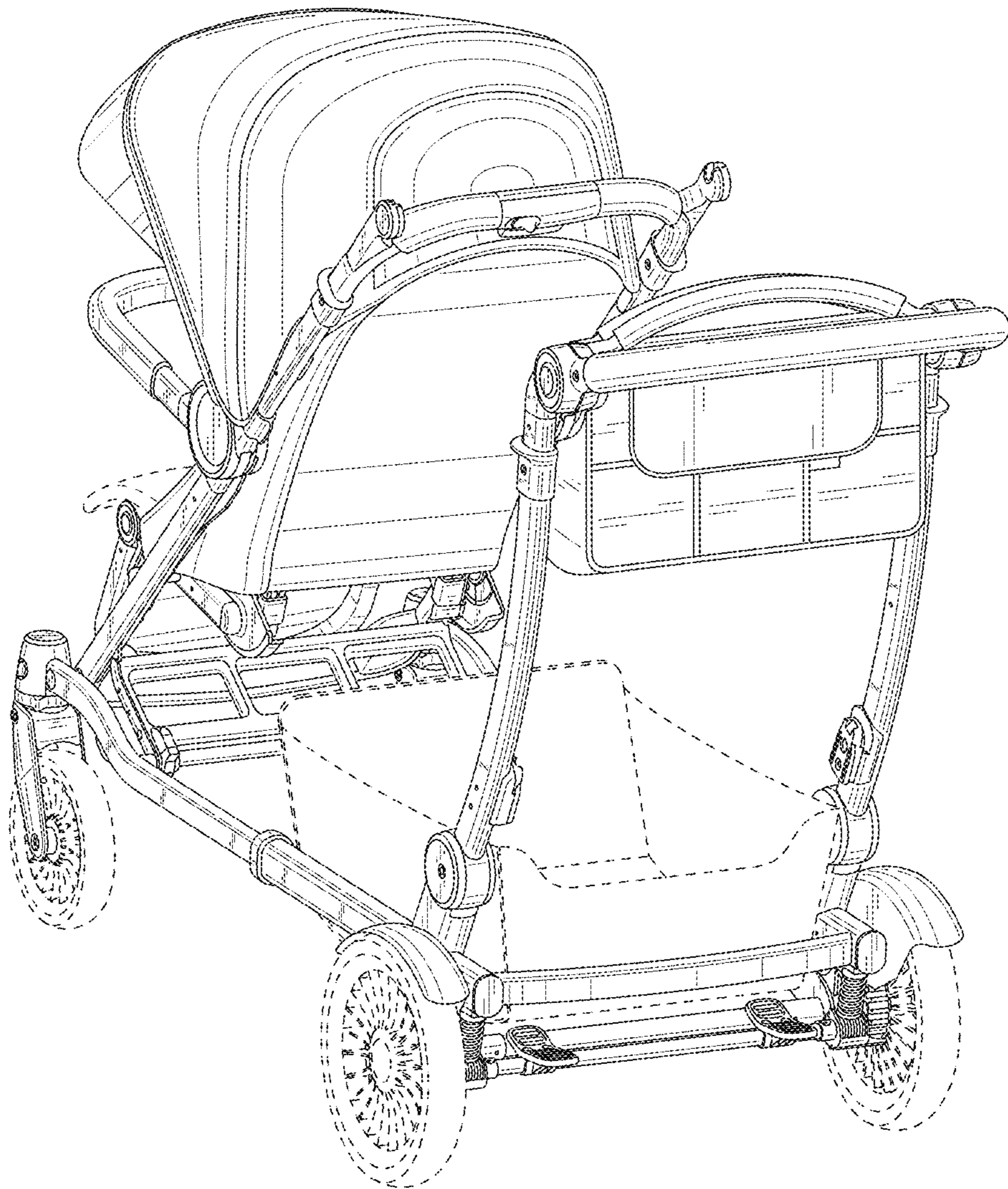


FIG. 24