



US00D834456S

(12) **United States Design Patent** (10) **Patent No.:** **US D834,456 S**
Shelton (45) **Date of Patent:** **** Nov. 27, 2018**

(54) **MOTORCYCLE FAIRING PLUG**

(71) Applicant: **Kelly J. Shelton**, Sioux Falls, SD (US)

(72) Inventor: **Kelly J. Shelton**, Sioux Falls, SD (US)

(**) Term: **15 Years**

(21) Appl. No.: **29/587,786**

(22) Filed: **Dec. 15, 2016**

(51) **LOC (11) Cl.** **12-11**

(52) **U.S. Cl.**
USPC **D12/114**

(58) **Field of Classification Search**
USPC D12/114, 117, 118, 126, 159, 160, 197,
D12/223, 400, 407, 420; D15/28
CPC B62K 19/18; B62K 19/30; B62K 19/48;
B62K 19/02; B62K 11/04
See application file for complete search history.

(56) **References Cited**

U.S. PATENT DOCUMENTS

D259,872 S *	7/1981	Ramsey	D12/126
D349,266 S *	8/1994	Rudd	D12/117
D354,461 S *	1/1995	Davidson	D12/126
D367,023 S *	2/1996	Benson	D12/126
D402,929 S *	12/1998	Golden	D12/126

D412,139 S *	7/1999	Hanlon	D12/126
D450,016 S *	11/2001	Bulger	D12/126
D466,056 S *	11/2002	Bulger	D12/126
D490,767 S *	6/2004	Nagasawa	D12/400
D587,631 S *	3/2009	Norman	D12/114
D594,399 S *	6/2009	Johnson	D12/400
D613,206 S *	4/2010	Norman	D12/114
D624,485 S *	9/2010	Aoki	D12/400
D748,152 S *	1/2016	Matsushima	D15/28
D753,026 S *	4/2016	Schanz	D12/126
D776,018 S *	1/2017	Kiska	D12/126

* cited by examiner

Primary Examiner — Michelle E. Wilson

Assistant Examiner — Clese Moore, Jr.

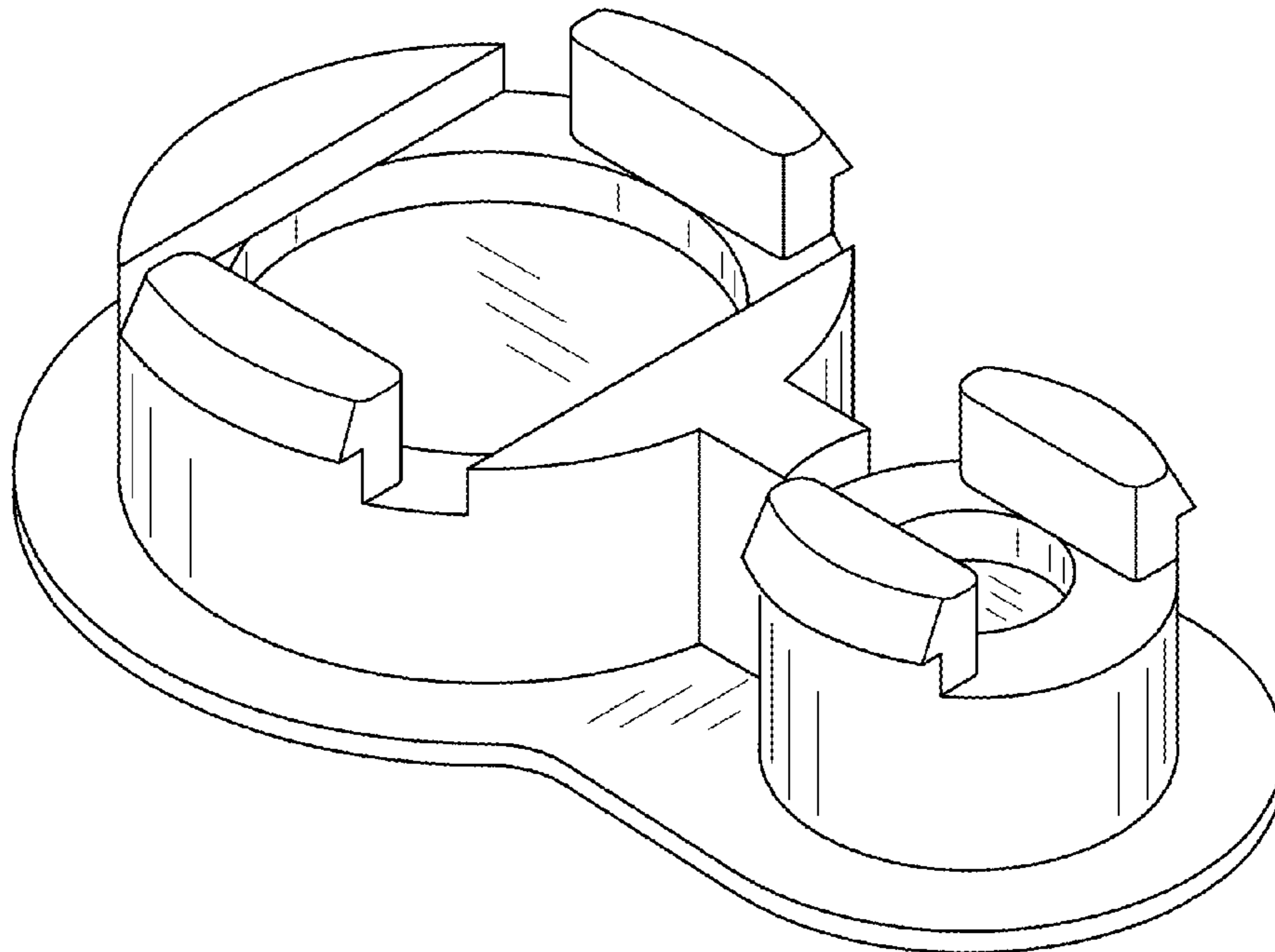
(57) **CLAIM**

The ornamental design for a motorcycle fairing plug, as shown and described.

DESCRIPTION

FIG. 1 is a top rear side perspective view of a motorcycle fairing plug showing my new design; FIG. 2 is a top view of the motorcycle fairing plug, a bottom view being a mirror image thereof; FIG. 3 is a left side view of the motorcycle fairing plug; FIG. 4 is a right side view of the motorcycle fairing plug; FIG. 5 is a rear view of the motorcycle fairing plug; and, FIG. 6 is a front view of the motorcycle fairing plug.

1 Claim, 3 Drawing Sheets



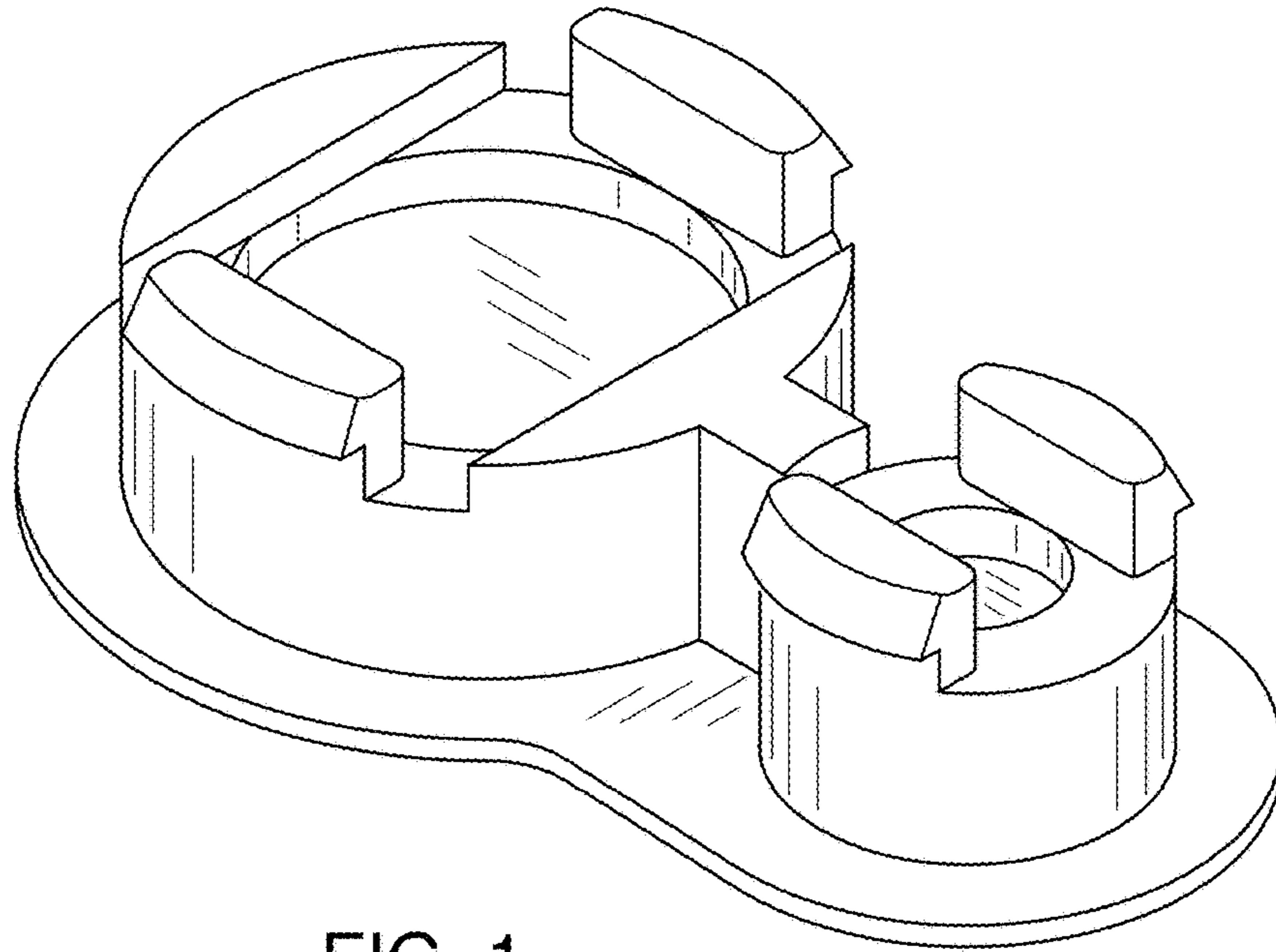


FIG. 1

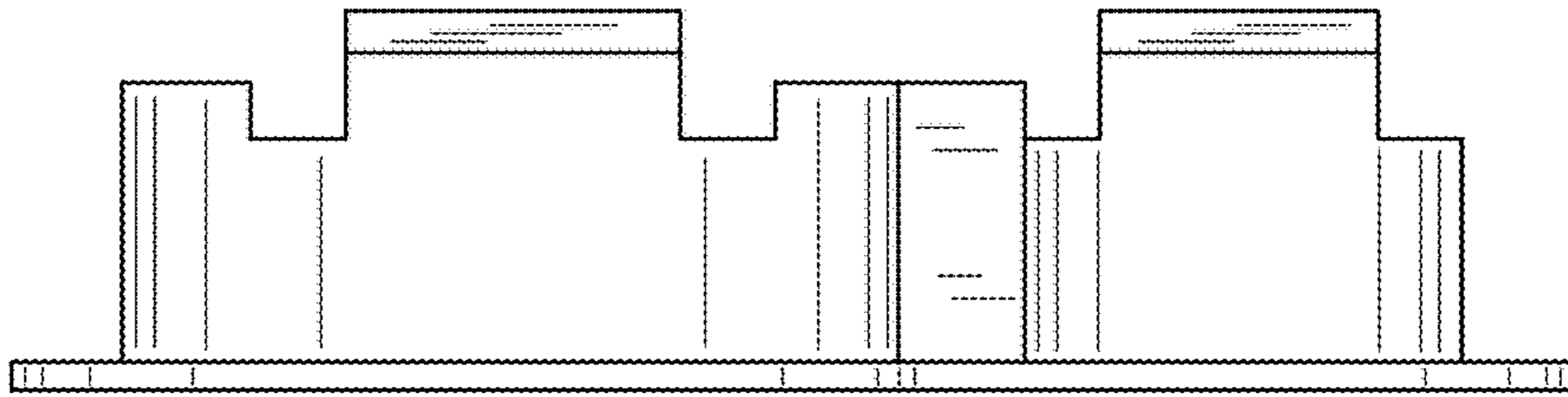


FIG. 2

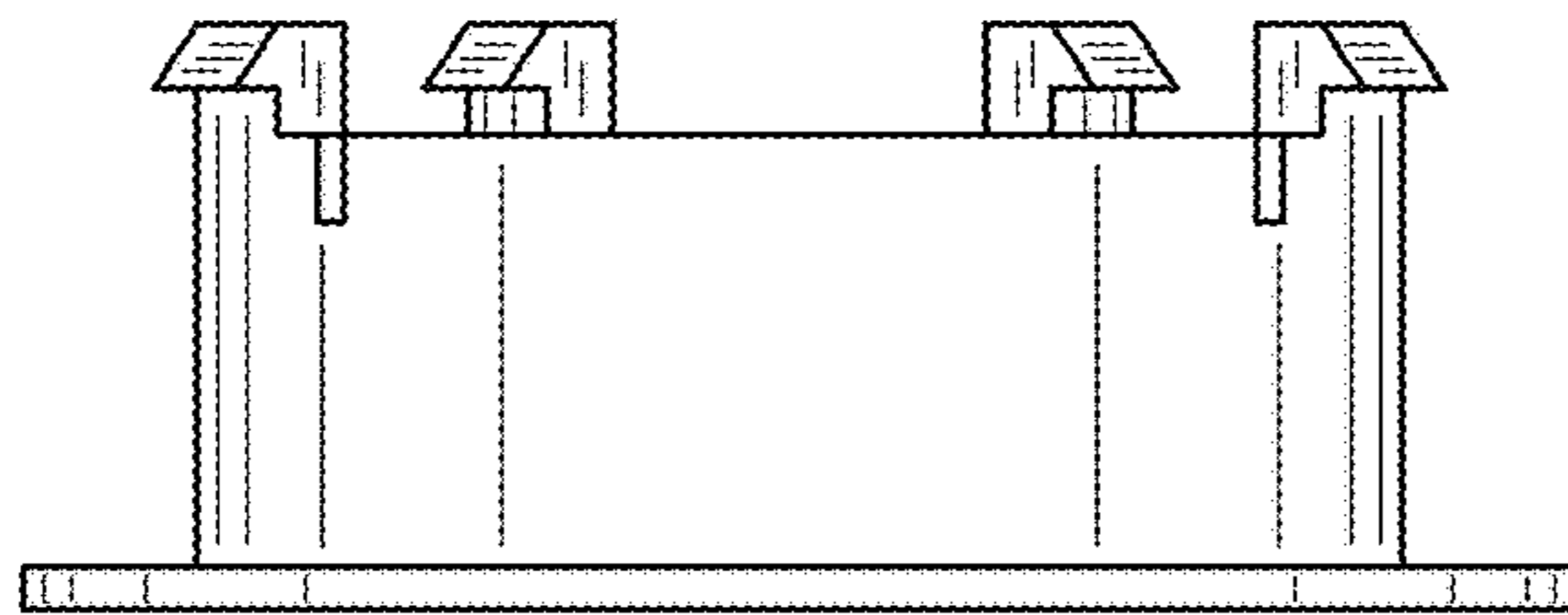


FIG. 3

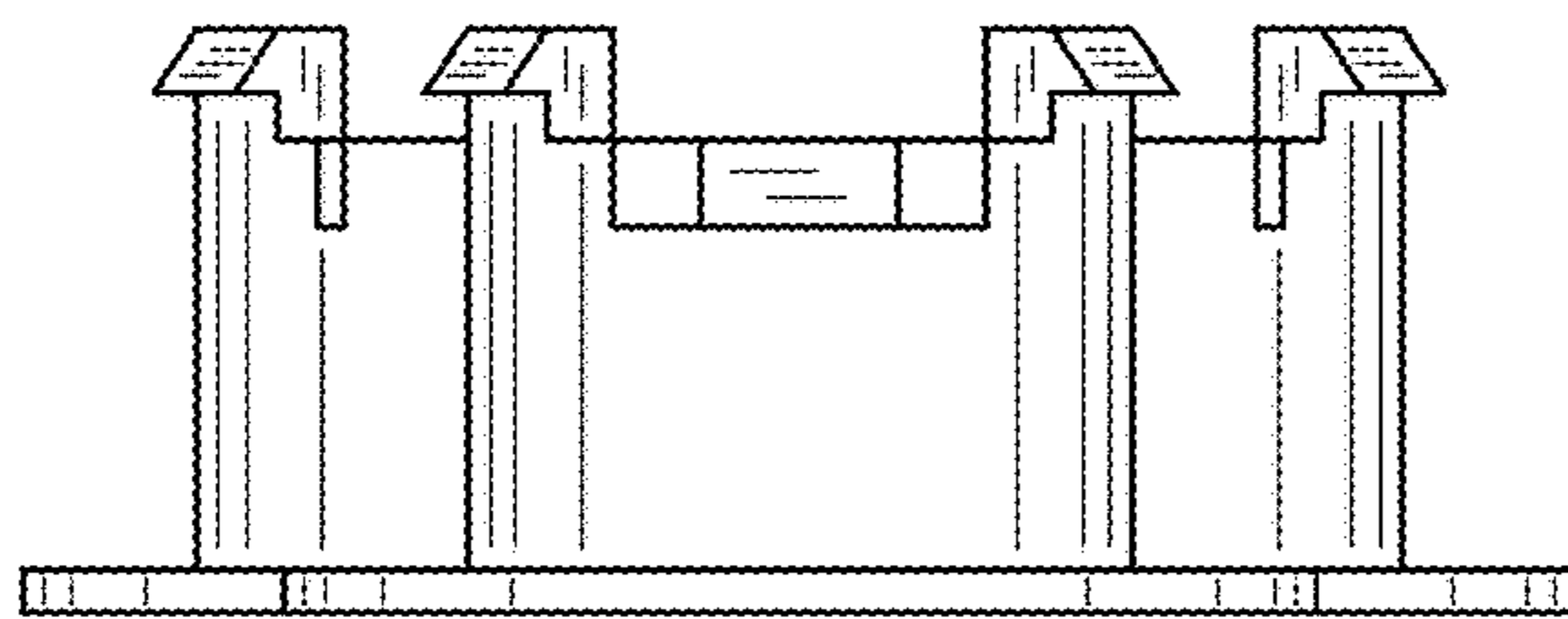


FIG. 4

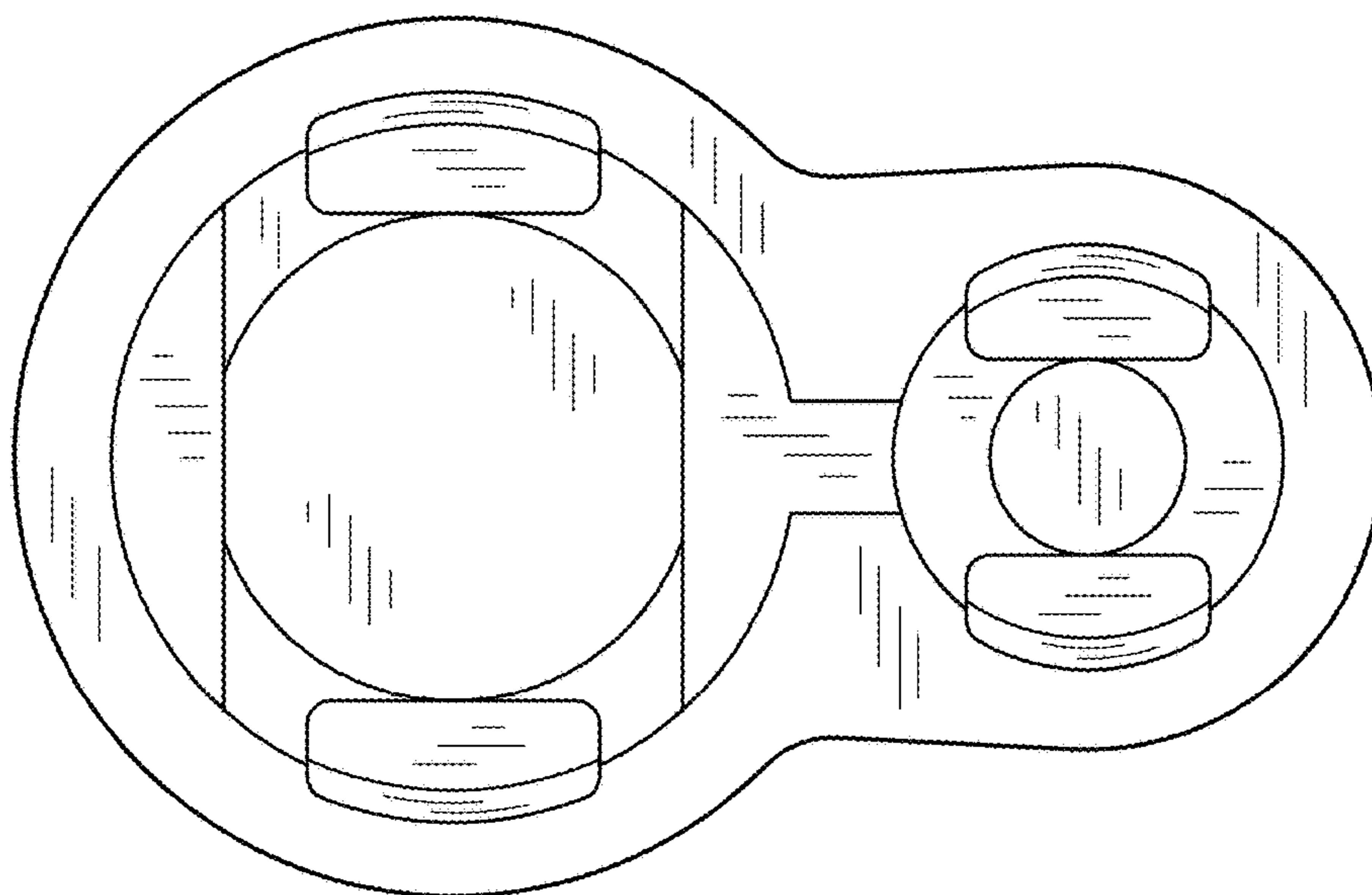


FIG. 5

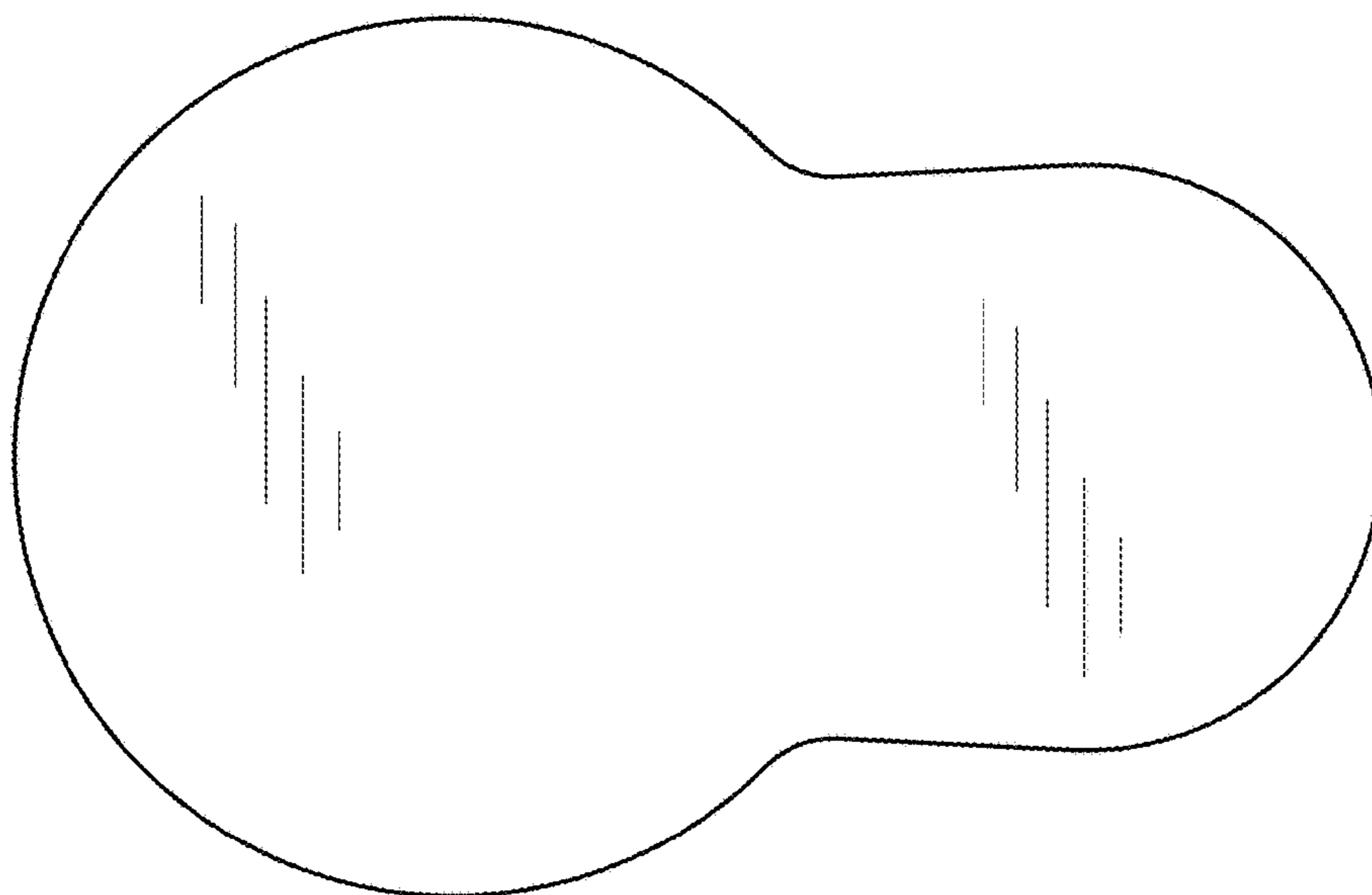


FIG. 6