



US00D834455S

(12) **United States Design Patent**
Yamashita

(10) **Patent No.:** **US D834,455 S**

(45) **Date of Patent:** **** Nov. 27, 2018**

(54) **MOTOR VEHICLE, TOY AND/OR REPLICA**

(71) Applicant: **Dr. Ing. h.c. F. Porsche**
Aktiengesellschaft, Stuttgart (DE)

(72) Inventor: **Shuichi Yamashita, Gerlingen (DE)**

(73) Assignee: **Dr. Ing. h.c. F. Porsche**
Aktiengesellschaft, Stuttgart (DE)

(**) Term: **15 Years**

(21) Appl. No.: **29/646,148**

(22) Filed: **May 2, 2018**

D622,632 S	8/2010	Borkert
D649,911 S	12/2011	Okumoto
D686,531 S	7/2013	Lamm
D690,620 S	10/2013	Scheinhütte
D696,159 S	12/2013	Borkert
D697,453 S	1/2014	Borkert
D702,152 S	4/2014	Borkert
D712,790 S	9/2014	Scheinhütte
D712,791 S	9/2014	Scheinhütte
D715,196 S	10/2014	Yamashita
D756,849 S	5/2016	Lopez
D789,251 S	6/2017	Varga
D789,832 S	6/2017	Varga
D790,401 S	6/2017	Scheinhütte
D796,997 S	9/2017	Varga
D805,432 S	12/2017	Scheinhütte
D805,433 S	12/2017	Scheinhütte
D824,288 S *	7/2018	Hauser D12/92

(Continued)

Related U.S. Application Data

(63) Continuation of application No. 29/592,891, filed on Feb. 3, 2017.

Primary Examiner — Melody N Brown

(74) *Attorney, Agent, or Firm* — RatnerPrestia

(30) **Foreign Application Priority Data**

Aug. 4, 2016 (DE) 402016100966

(51) **LOC (11) Cl.** **12-08**

(52) **U.S. Cl.**
USPC **D12/92**

(58) **Field of Classification Search**
USPC D12/86, 90-92; D21/424, 433, 434;
296/181.1-181.5, 183.1
CPC B62D 25/00; B62D 25/06; B62D 33/00;
B62D 35/00
See application file for complete search history.

(57) **CLAIM**

The ornamental design for a motor vehicle, toy and/or replica, as shown and described.

DESCRIPTION

FIG. 1 is a front perspective view of a motor vehicle, toy and/or replica;

FIG. 2 is a rear perspective view thereof;

FIG. 3 is a front elevation view thereof;

FIG. 4 is a rear elevation view thereof;

FIG. 5 is a right side elevation view thereof, the left side elevation view being a substantial mirror image of the right side elevation view; and,

FIG. 6 is a top plan view thereof.

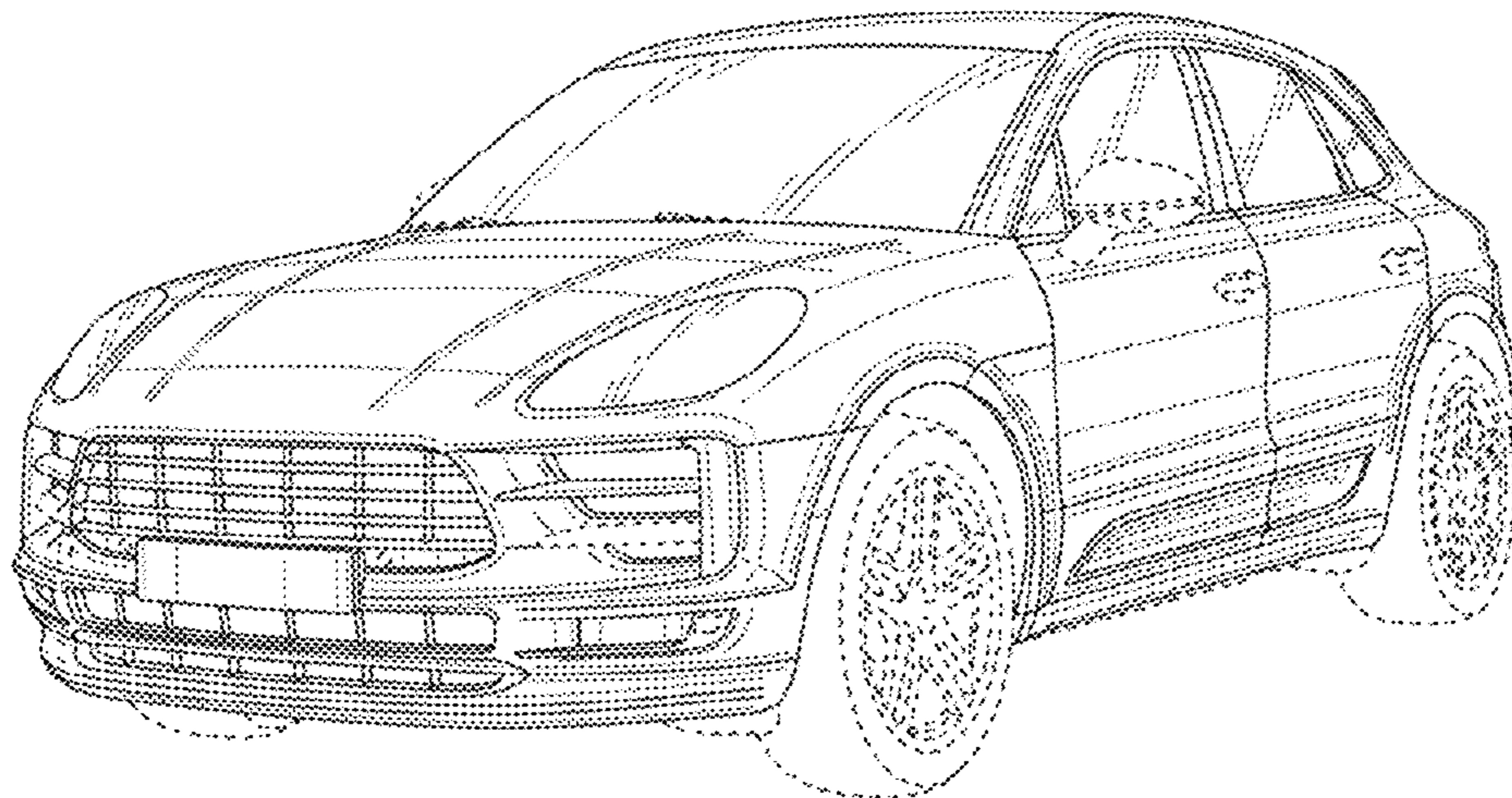
The broken line showing of the motor vehicle, toy and/or replica is for the purpose of illustrating portions of the motor vehicle, toy and/or replica and forms no part of the claimed design.

(56) **References Cited**

U.S. PATENT DOCUMENTS

D468,237 S	1/2003	Murkett
D537,383 S	2/2007	Kato
D588,047 S	3/2009	Kulla
D600,594 S	9/2009	Kulla
D622,184 S	8/2010	Borkert

1 Claim, 6 Drawing Sheets



(56)

References Cited

U.S. PATENT DOCUMENTS

D826,781 S * 8/2018 Scheinhutte D12/91
D826,784 S * 8/2018 Hauser D12/92

* cited by examiner

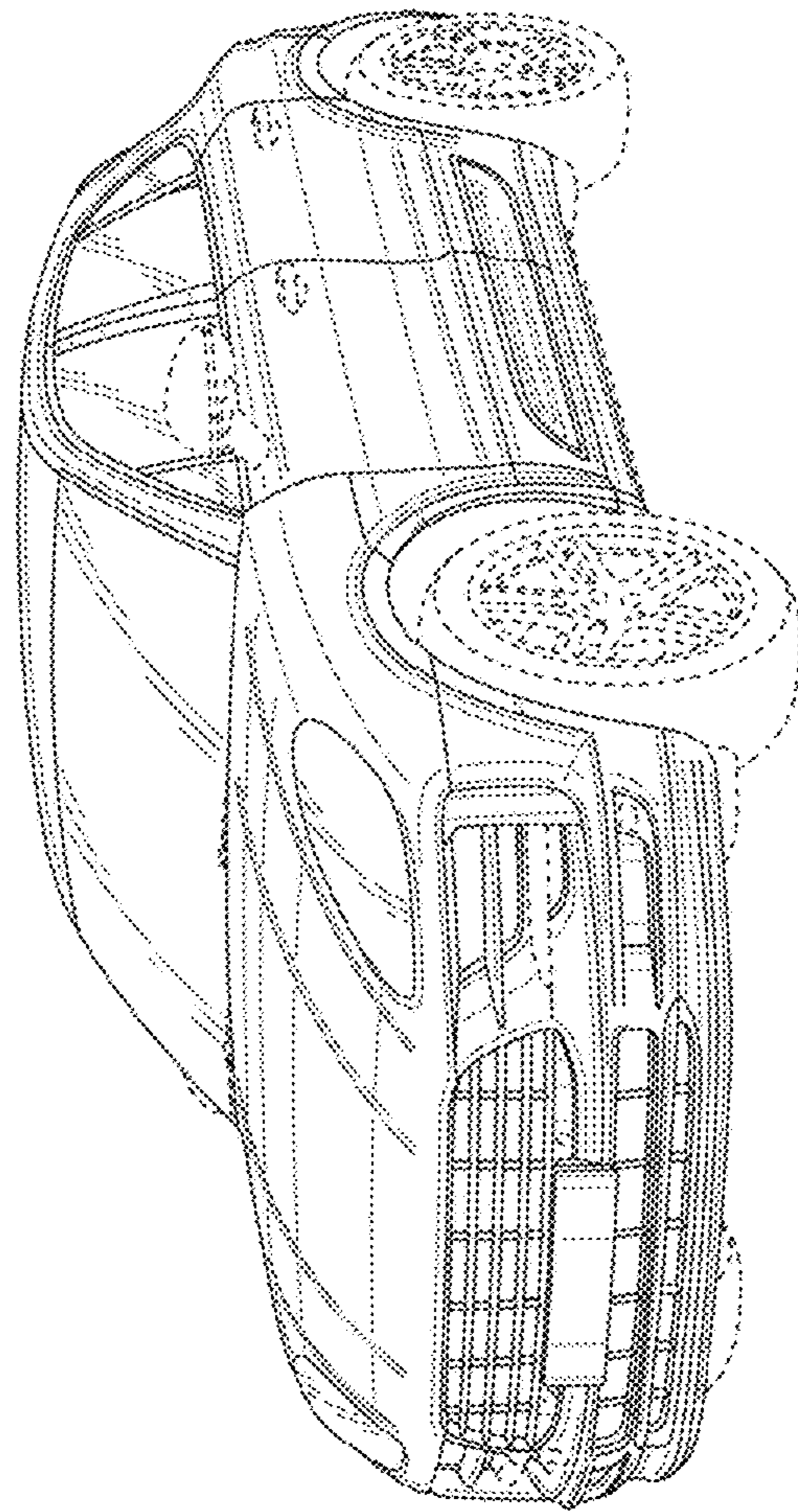


FIG. 1

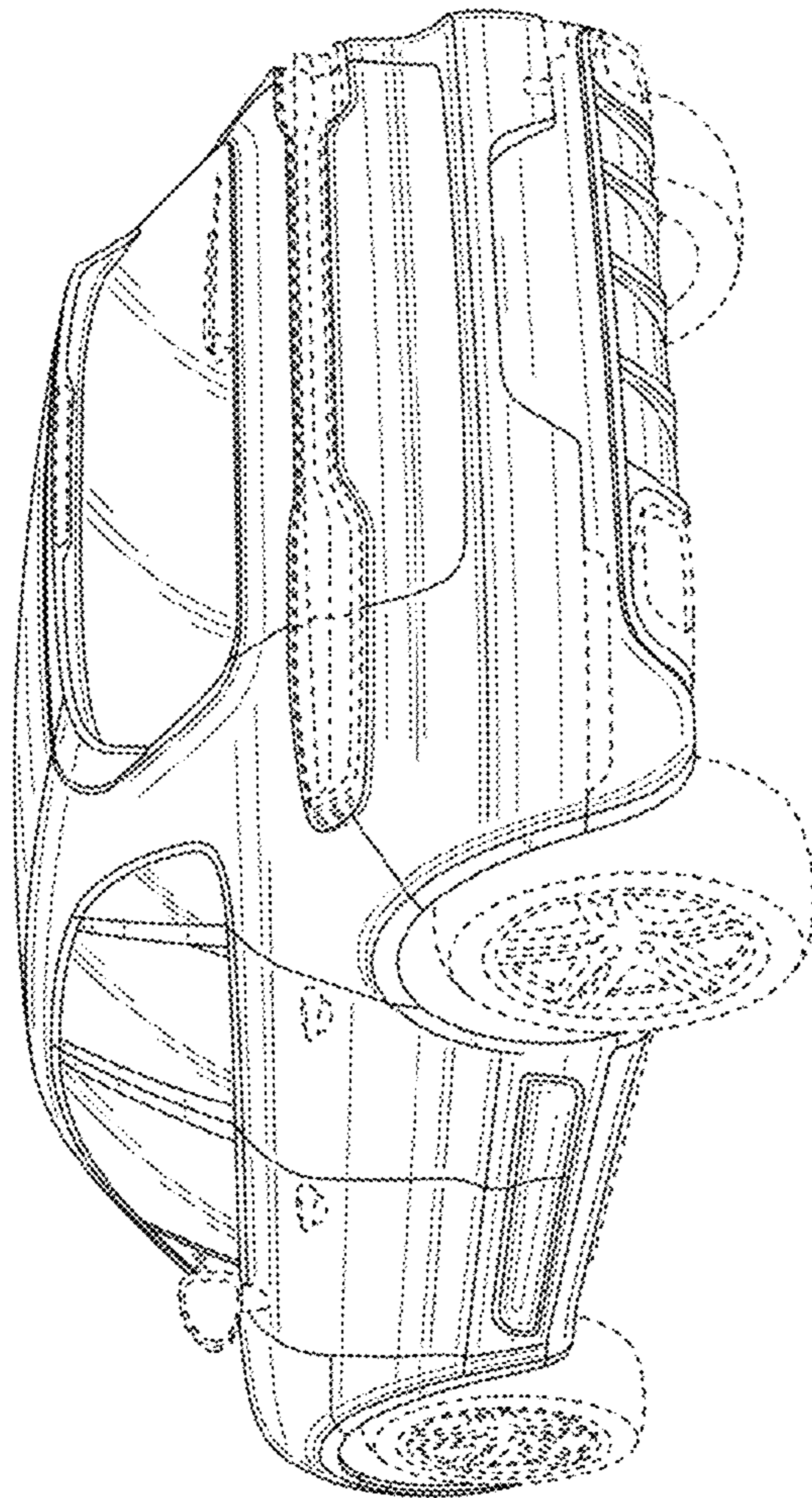


FIG. 2

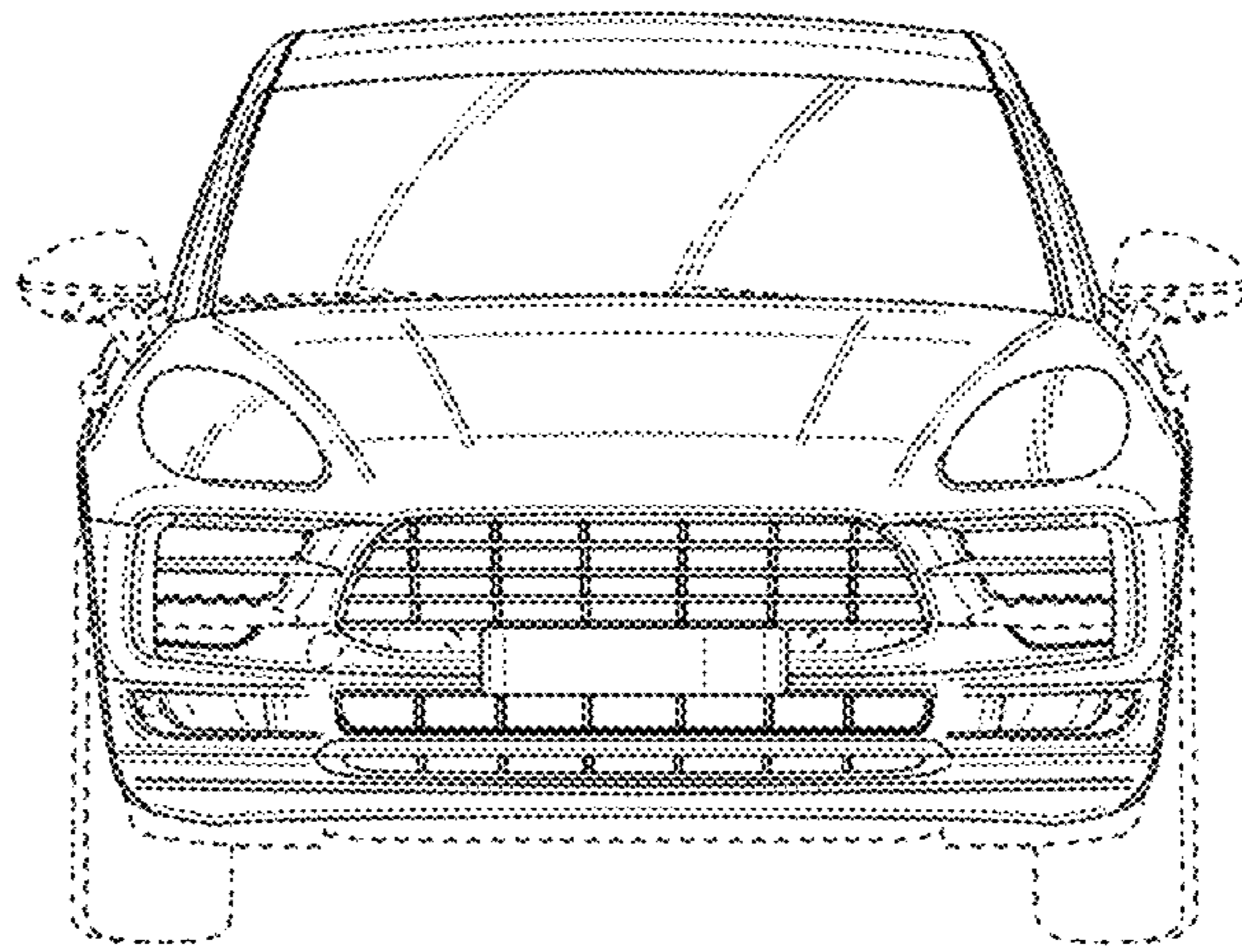


FIG. 3

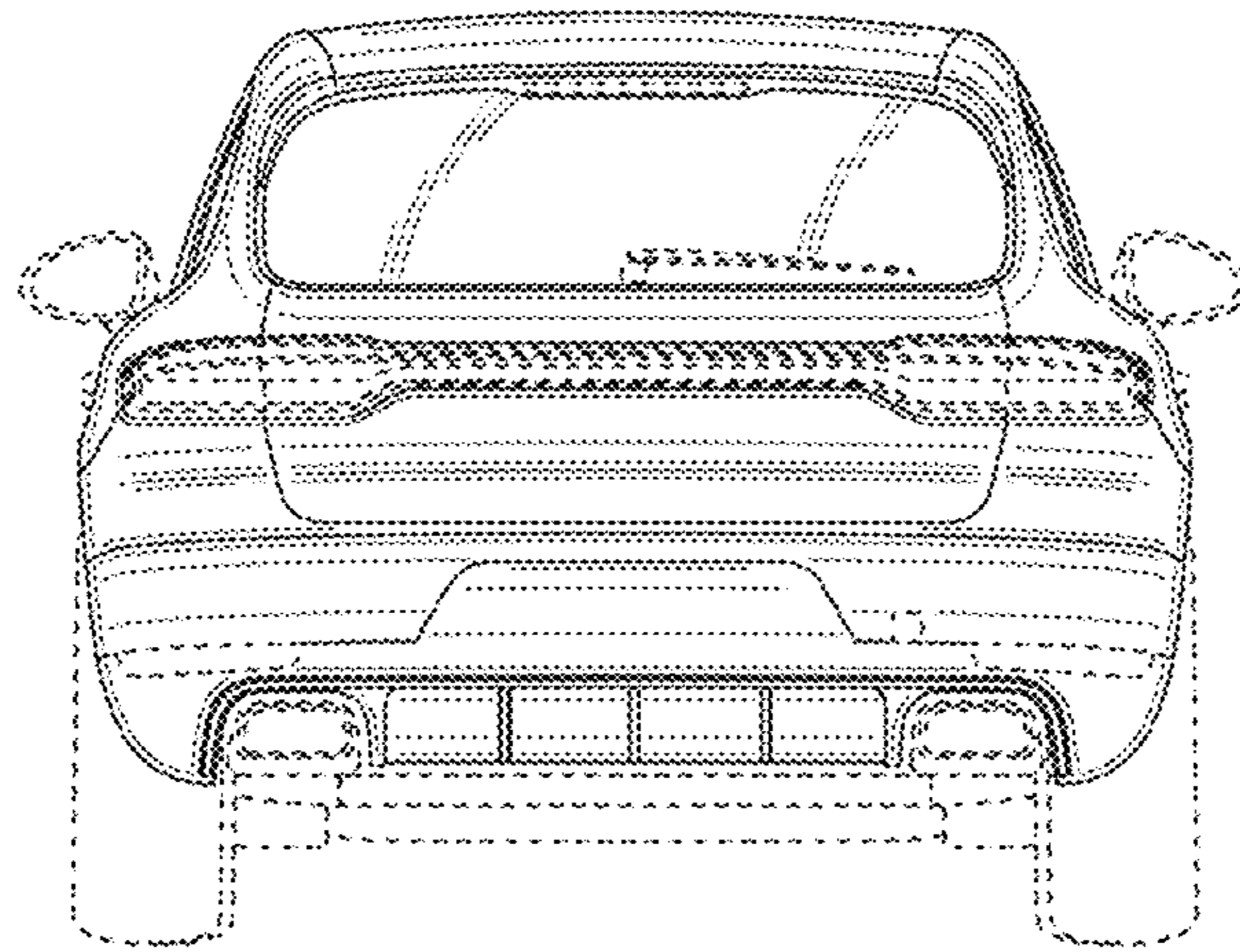


FIG. 4

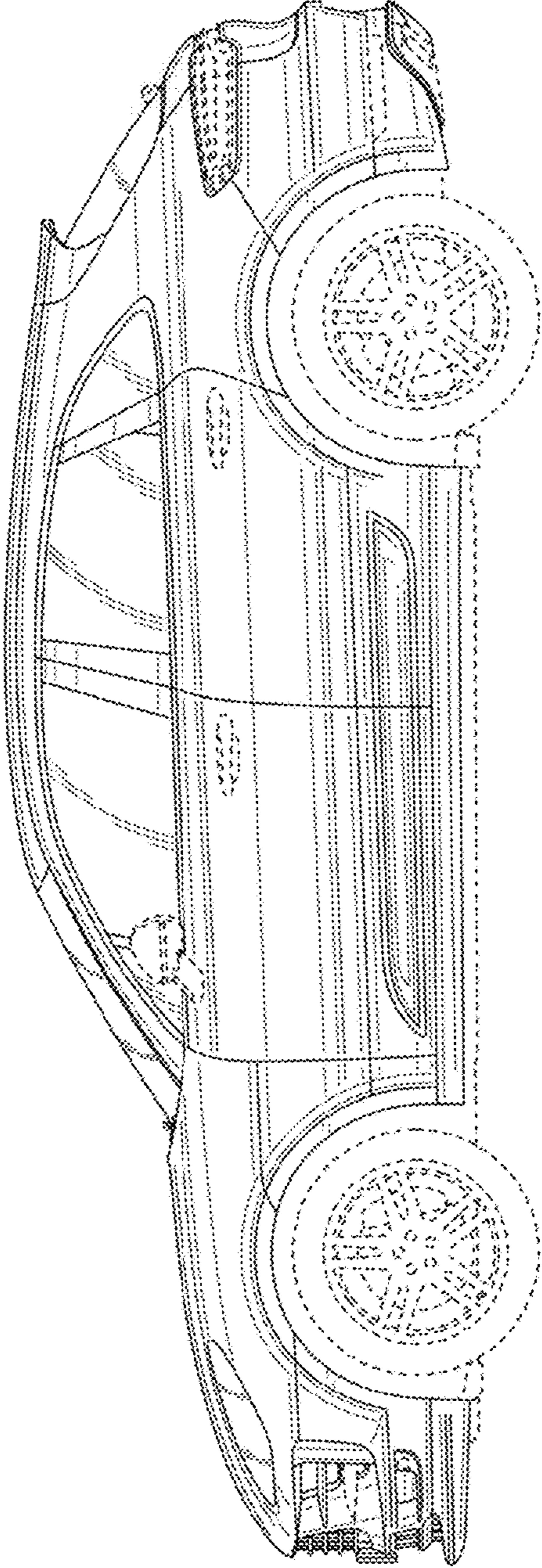


FIG. 5

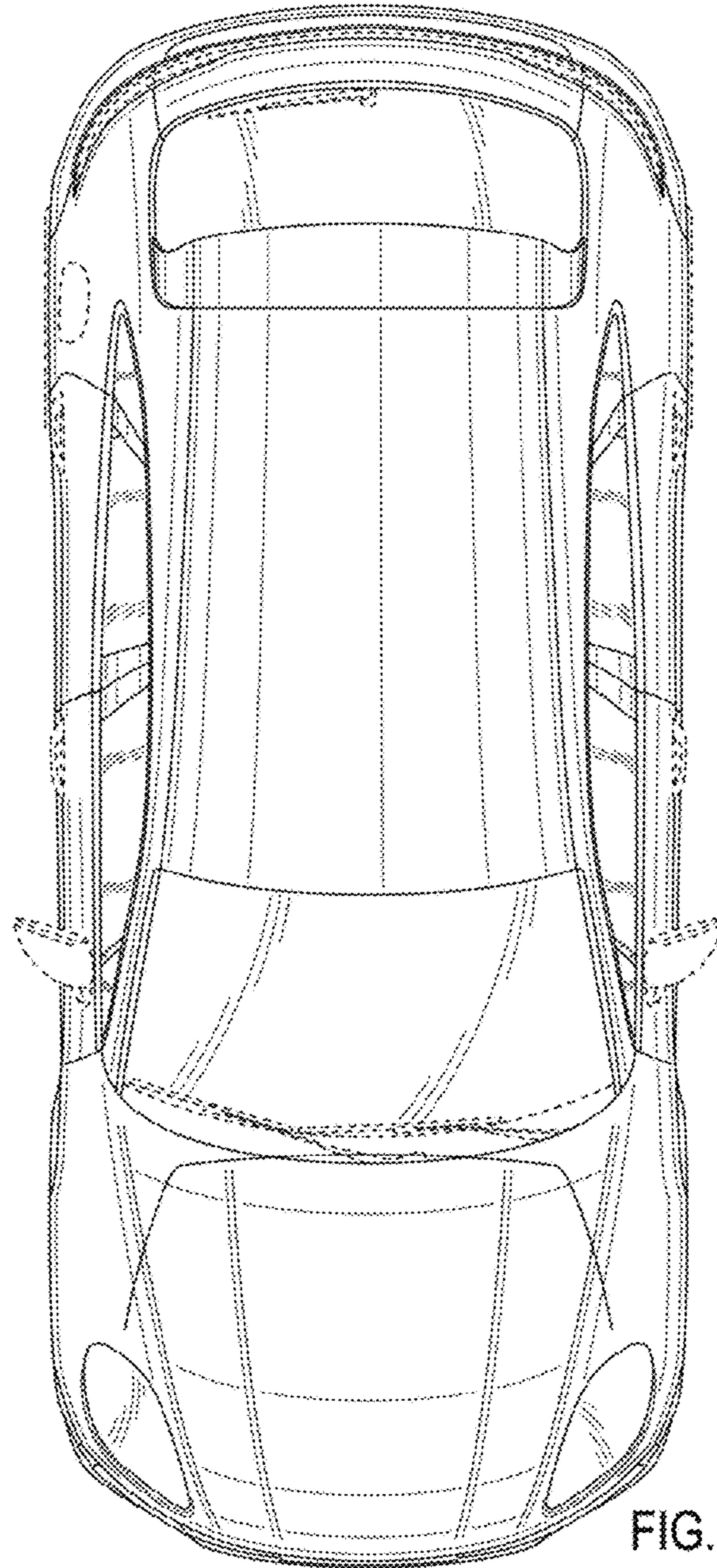


FIG. 6